



US00D836721S

(12) **United States Design Patent** (10) **Patent No.:** **US D836,721 S**  
**Sullivan et al.** (45) **Date of Patent:** **\*\* Dec. 25, 2018**

(54) **WRITING UTENSIL WITH SIGN**  
(71) Applicants: **Jonathan P. Sullivan**, Wayne, NJ (US);  
**Debra S. Sullivan**, Wayne, NJ (US)  
(72) Inventors: **Jonathan P. Sullivan**, Wayne, NJ (US);  
**Debra S. Sullivan**, Wayne, NJ (US)  
(\*\*) Term: **15 Years**  
(21) Appl. No.: **29/609,736**  
(22) Filed: **Jul. 5, 2017**  
(51) **LOC (11) Cl.** ..... **19-06**  
(52) **U.S. Cl.**  
USPC ..... **D19/123**  
(58) **Field of Classification Search**  
USPC ..... D14/411; D19/115-204; D20/41, 43  
CPC . B43K 5/005; B43K 7/12; B43K 8/04; B43K  
8/06; B43K 19/00; B43K 19/02; B43K  
19/14; B43K 21/006; B43K 21/06  
See application file for complete search history.

(56) **References Cited**  
U.S. PATENT DOCUMENTS  
D177,660 S \* 5/1956 Blish ..... D19/202  
3,846,927 A \* 11/1974 Geffen ..... B43K 25/00  
24/11 CT  
3,961,852 A \* 6/1976 Parry ..... B43K 25/00  
401/195  
4,365,390 A \* 12/1982 Kageyama ..... B43K 25/024  
24/11 F  
D267,654 S \* 1/1983 Nadel ..... D19/163  
4,516,869 A \* 5/1985 Corpataux ..... B43K 25/02  
24/11 P  
D286,893 S \* 11/1986 Regnault ..... D19/173  
D300,833 S \* 4/1989 McShirley ..... 401/195  
D321,209 S \* 10/1991 Hiromori ..... D19/100  
6,045,281 A \* 4/2000 Bunn ..... B43K 29/00  
40/334

6,419,413 B1 \* 7/2002 Oliver ..... B43K 23/02  
211/69.8  
D490,851 S \* 6/2004 Losel ..... D19/174  
7,059,797 B2 \* 6/2006 Sellars ..... B43K 23/04  
401/131  
7,431,527 B2 \* 10/2008 Kroggel ..... B43K 29/007  
401/195  
D589,559 S \* 3/2009 Slemp ..... D19/169  
D611,538 S \* 3/2010 Zhou ..... D19/173  
7,909,528 B2 \* 3/2011 Brooks ..... B43K 23/001  
401/131  
D651,243 S \* 12/2011 Yuan ..... D19/173  
D689,134 S \* 9/2013 Landow ..... D19/174  
D708,264 S \* 7/2014 Roundy ..... D19/197  
D714,385 S \* 9/2014 Lecce ..... D19/172  
D724,148 S \* 3/2015 Bo ..... D19/173  
D725,112 S \* 3/2015 Bo ..... D14/411  
9,604,491 B2 \* 3/2017 Gonzalez, III ..... B43K 29/20  
D797,741 S \* 9/2017 Cebe ..... D14/411

\* cited by examiner

*Primary Examiner* — Elizabeth A. Albert  
(74) *Attorney, Agent, or Firm* — Joshua Kaplan; Kaplan  
Law Practice LLC

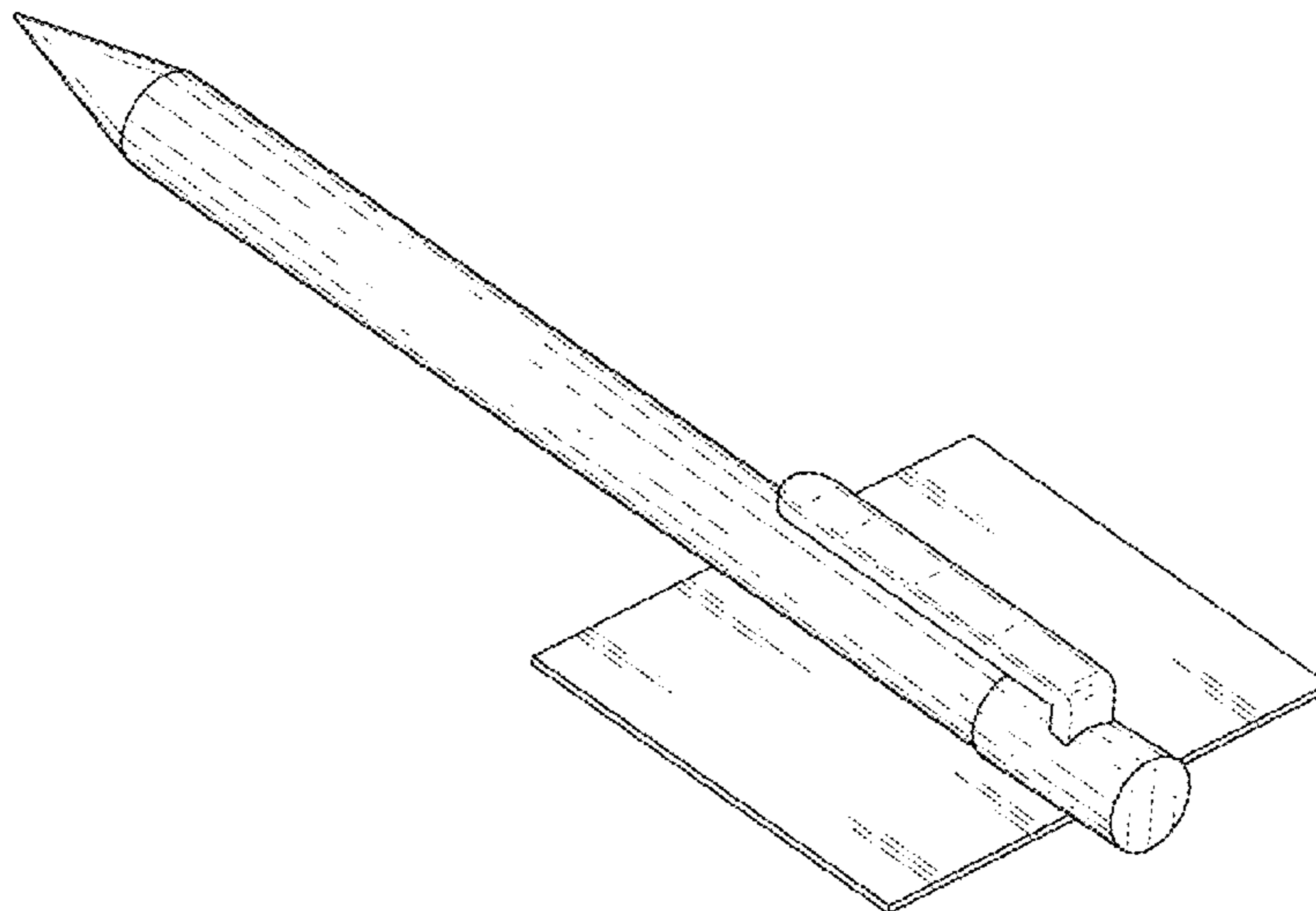
(57) **CLAIM**

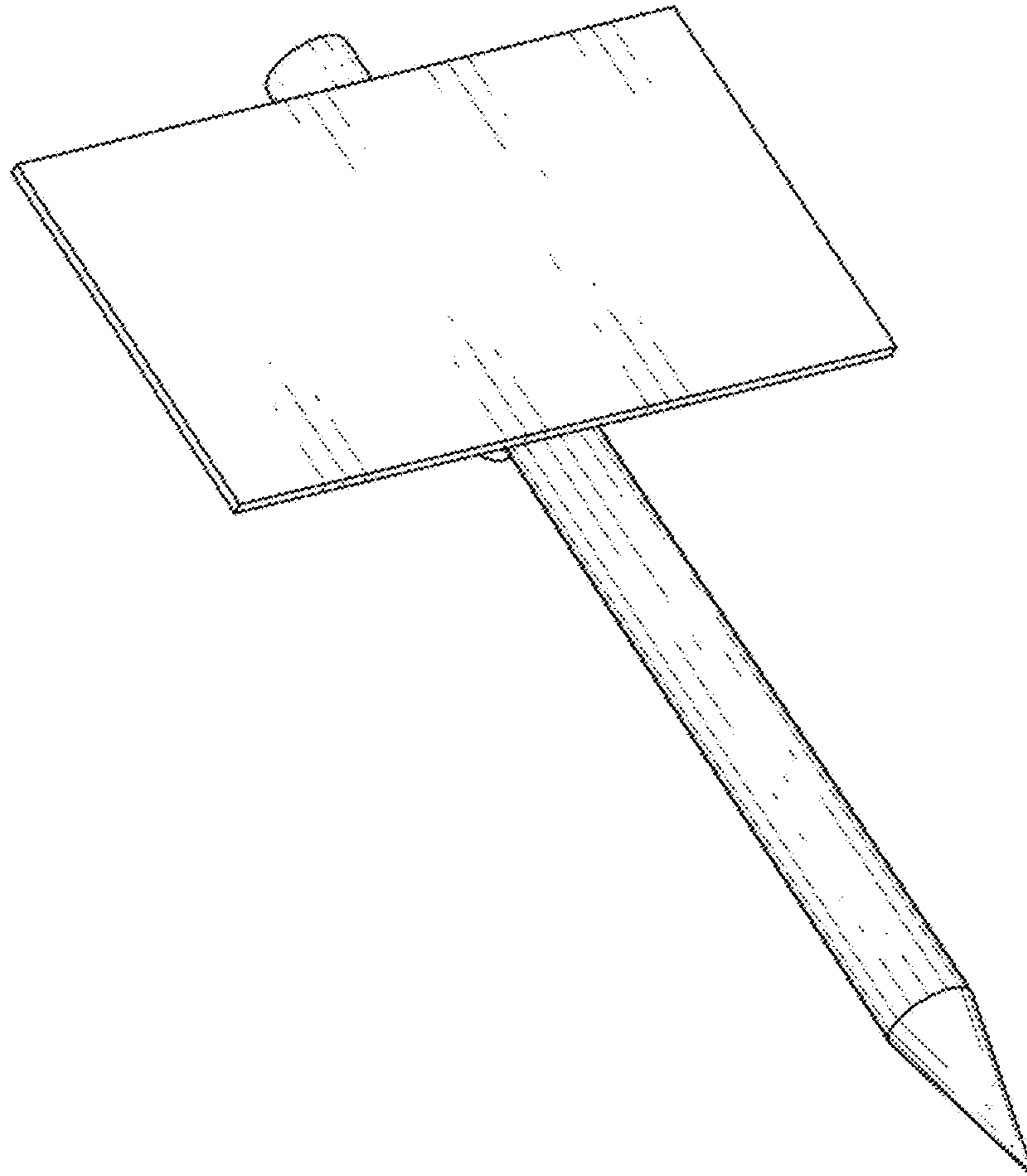
The ornamental design for a writing utensil with sign, as  
shown and described.

**DESCRIPTION**

FIG. 1 is a perspective front view of a writing utensil with  
sign in accordance with the present design;  
FIG. 2 is a perspective back view thereof;  
FIG. 3 is a right view thereof;  
FIG. 4 is a left view thereof;  
FIG. 5 is a back view thereof;  
FIG. 6 is a front view thereof;  
FIG. 7 is a top view thereof; and,  
FIG. 8 is a bottom view thereof.

**1 Claim, 6 Drawing Sheets**





*FIG. 1*

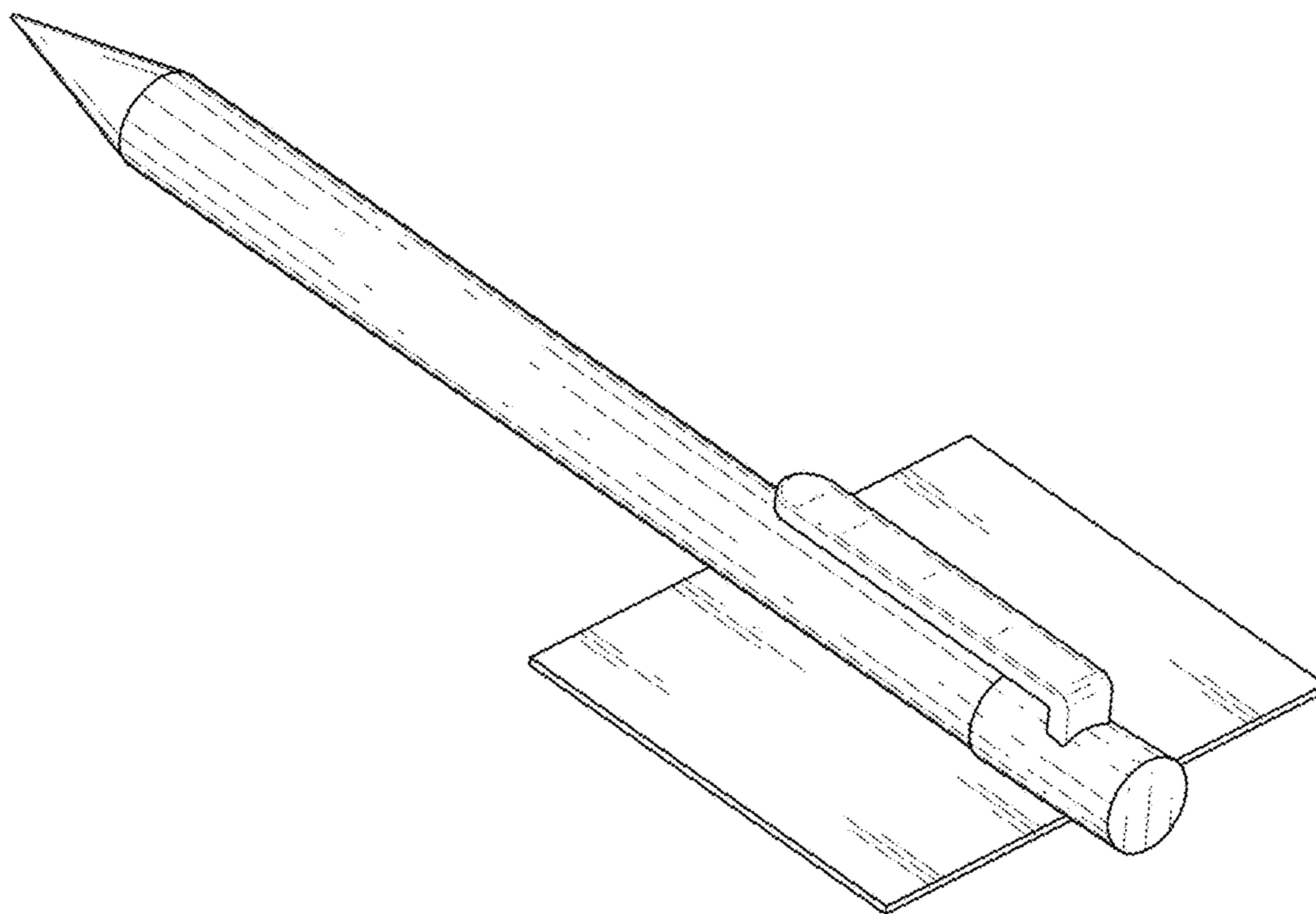


FIG. 2

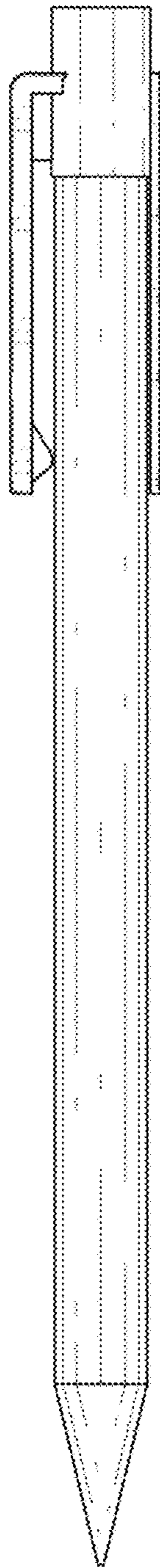


FIG. 3

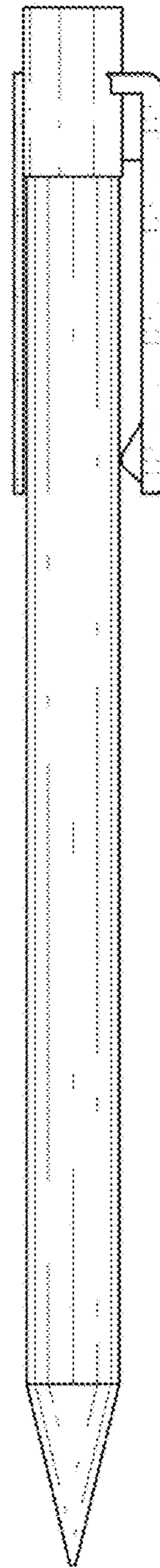


FIG. 4

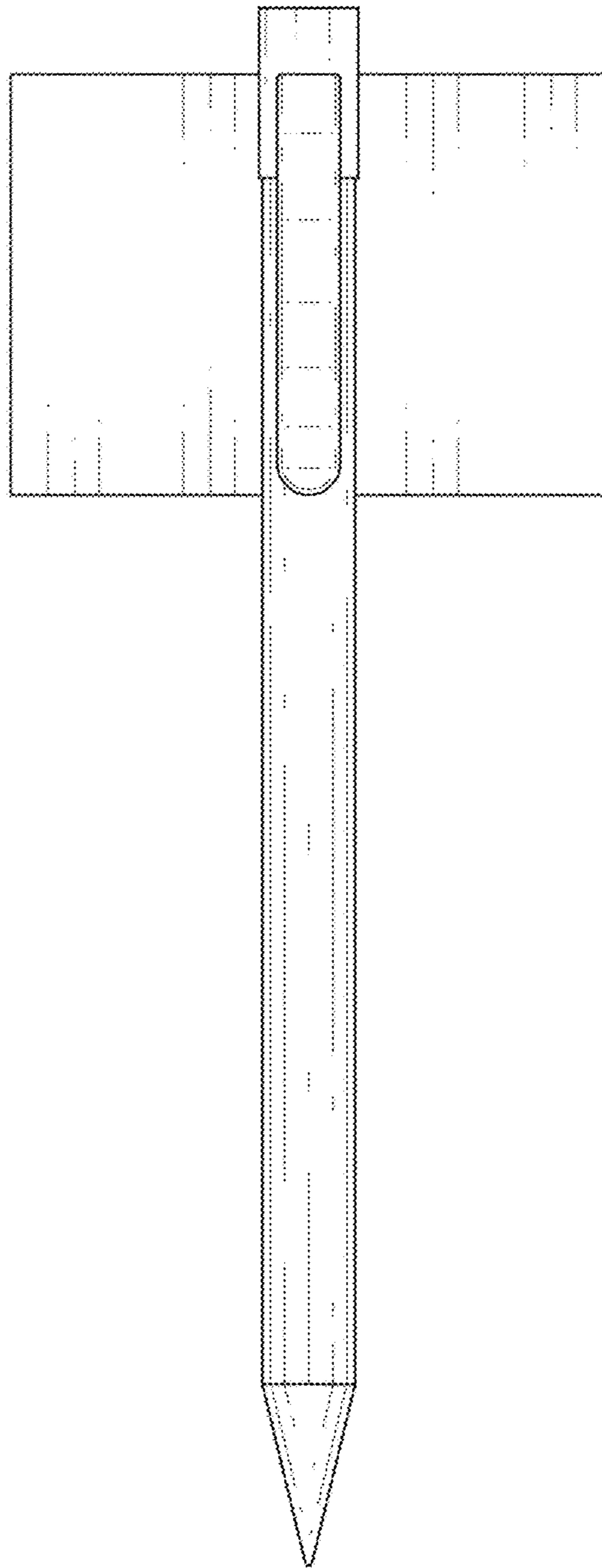


FIG. 5

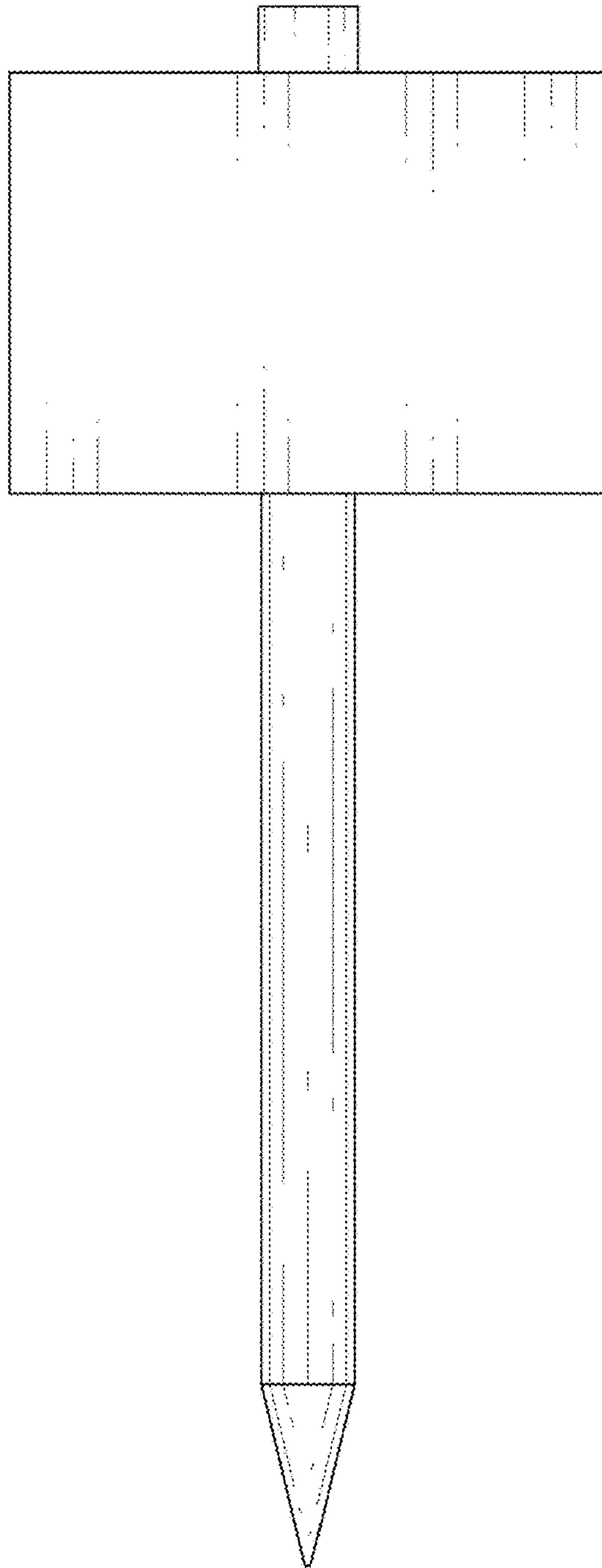
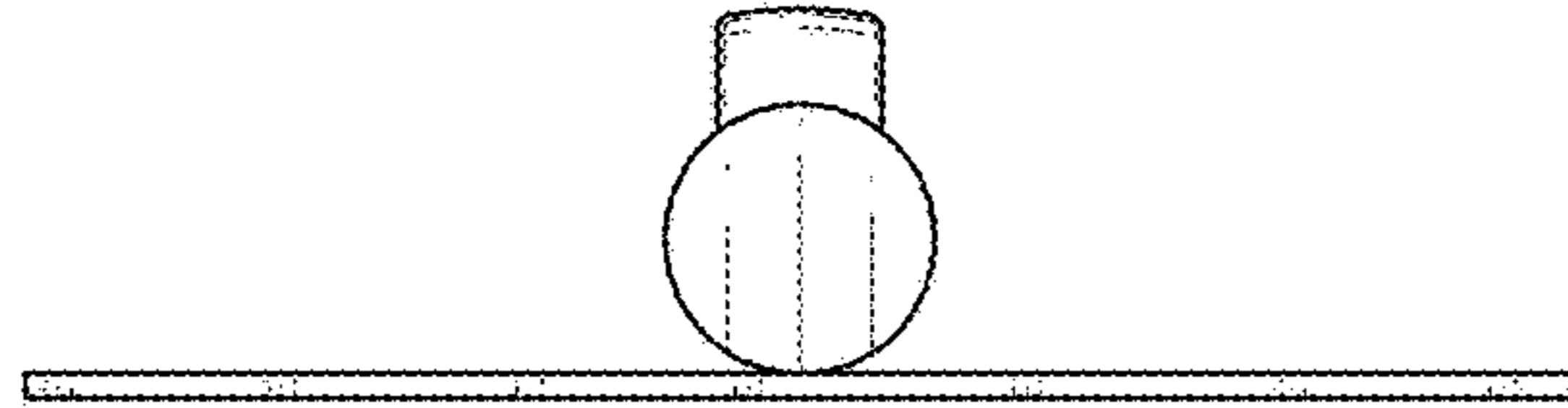
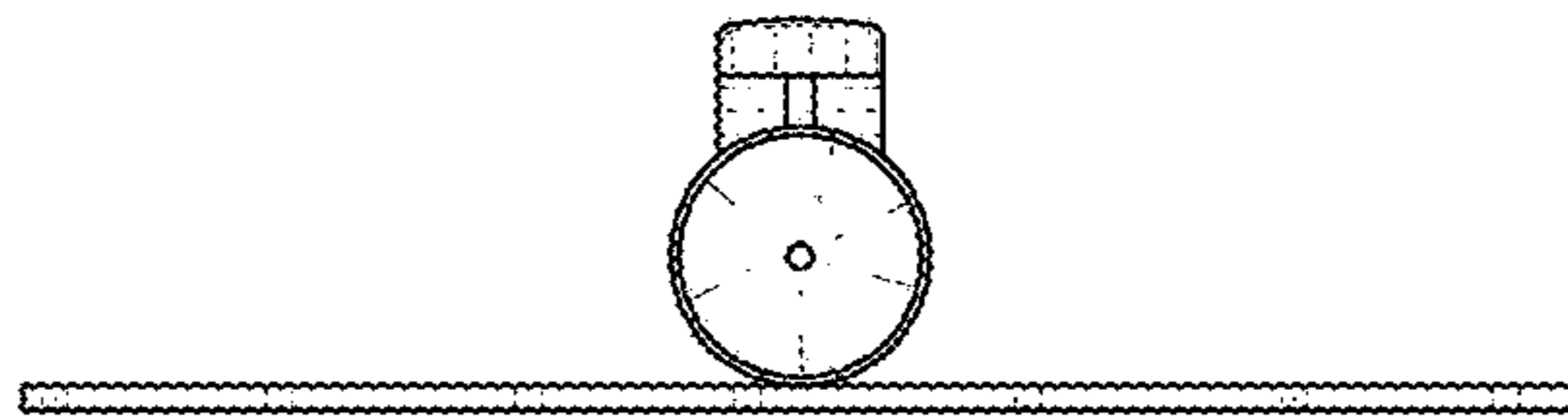


FIG. 6



*FIG. 7*



*FIG. 8*