



US00D836720S

(12) **United States Design Patent**
Kang

(10) **Patent No.:** **US D836,720 S**

(45) **Date of Patent:** **** Dec. 25, 2018**

(54) **DRY ERASE BOARD**

(71) Applicant: **ACCO Brands Corporation**, Lake Zurich, IL (US)

(72) Inventor: **Seesong Kang**, Northbrook, IL (US)

(73) Assignee: **ACCO Brands Corporation**, Lake Zurich, IL (US)

(**) Term: **15 Years**

(21) Appl. No.: **29/614,973**

(22) Filed: **Aug. 24, 2017**

Related U.S. Application Data

(63) Continuation of application No. 29/565,115, filed on May 18, 2016.

(51) **LOC (11) Cl.** **19-06**

(52) **U.S. Cl.**
USPC **D19/113**

(58) **Field of Classification Search**
USPC D19/113, 114; D20/10, 19, 39, 40, 41, D20/42; D14/371, 373, 374

(Continued)

(56) **References Cited**

U.S. PATENT DOCUMENTS

D27,461 S 8/1897 McConnellogue
D108,694 S 3/1938 Gruen

(Continued)

OTHER PUBLICATIONS

Product name "Quartet Prestige 2 DuraMax Porcelain Magnetic Whiteboard", publicly available prior to Mar. 2, 2016, images

available at <http://www.officedepot.com/a/products/120413/Quartet-Prestige-2-DuraMax-Porcelain-Magnetic/>.

(Continued)

Primary Examiner — Elizabeth A. Albert

(74) *Attorney, Agent, or Firm* — Michael Best & Friedrich LLP

(57) **CLAIM**

I claim the ornamental design for a dry erase board, as shown and described.

DESCRIPTION

FIG. 1 is a front perspective view of a dry erase board showing my new design.

FIG. 2 is a rear perspective view of the dry erase board of FIG. 1.

FIG. 3 is a front view of the dry erase board of FIG. 1.

FIG. 4 is a rear view of the dry erase board of FIG. 1.

FIG. 5 is a right side view of the dry erase board of FIG. 1.

FIG. 6 is a left side view of the dry erase board of FIG. 1.

FIG. 7 is a top view of the dry erase board of FIG. 1.

FIG. 8 is a bottom view of the dry erase board of FIG. 1.

FIG. 9 is a front perspective view of the dry erase board of FIG. 1, having the tray in the open position.

FIG. 10 is a rear perspective view of the dry erase board of FIG. 9.

FIG. 11 is a front view of the dry erase board of FIG. 9.

FIG. 12 is a rear view of the dry erase board of FIG. 9.

FIG. 13 is a right side view of the dry erase board of FIG. 9.

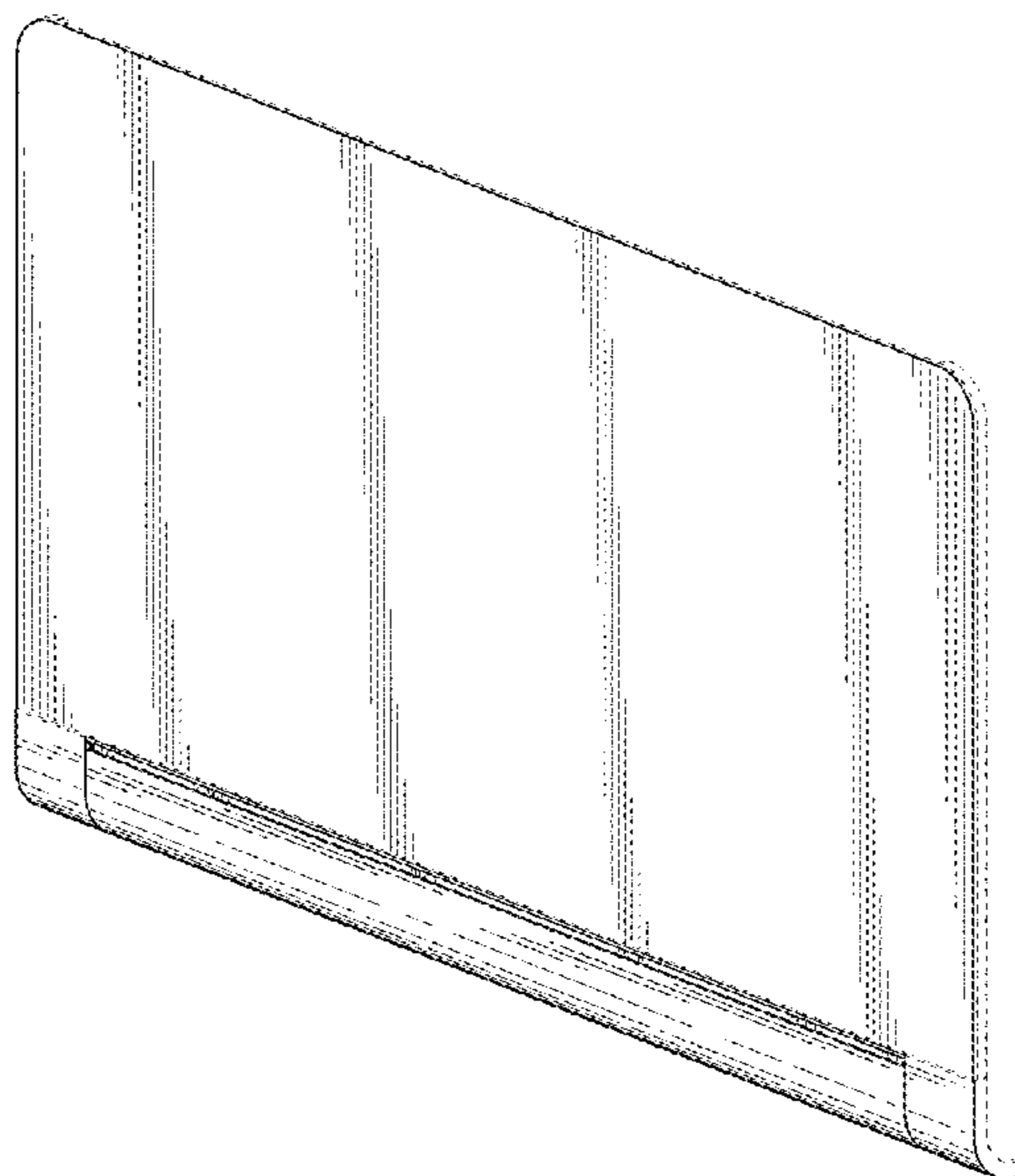
FIG. 14 is a left side view of the dry erase board of FIG. 9.

FIG. 15 is a top view of the dry erase board of FIG. 9; and,

FIG. 16 is a bottom view of the dry erase board of FIG. 9.

The broken lines are included for the purpose of showing portions of the dry erase board that form no part of the claimed design.

1 Claim, 12 Drawing Sheets



(58) **Field of Classification Search**

CPC .. B43L 1/00; B43L 1/004; B43L 1/008; B43L 1/06; B43L 1/10; B43L 1/12; G09F 15/00; G09F 15/0006; G09F 15/0012; G09F 15/0018; G09F 15/0056; G09F 2007/1834; G09F 2007/1843; G09F 2007/1847

See application file for complete search history.

(56) **References Cited**

U.S. PATENT DOCUMENTS

3,363,341 A 1/1968 Glassman
 D311,739 S * 10/1990 De Lucchi D14/450
 D432,982 S 10/2000 Miyashita
 D514,590 S 2/2006 Naruki
 D522,451 S 6/2006 Hayes
 D533,226 S * 12/2006 Middleton D19/113
 7,301,596 B1 11/2007 Morganstern
 D558,763 S 1/2008 Morganstern
 D573,417 S 7/2008 Osbourn
 D575,775 S 8/2008 Sekine
 D589,531 S 3/2009 Fullerton
 D595,357 S 6/2009 Simpson
 D599,791 S 9/2009 Kuang
 D608,276 S 1/2010 Takeshita
 D616,034 S 5/2010 Carlsson
 D625,724 S * 10/2010 Chen D14/374
 D627,394 S 11/2010 Nakayama
 D627,824 S 11/2010 Nakayama
 D630,610 S * 1/2011 Li D14/138 AA
 D634,316 S * 3/2011 Van Den Nieuwenhuizen
 D14/336
 7,896,522 B2 3/2011 Heller
 D644,989 S 9/2011 Guccione
 8,054,617 B2 11/2011 Kuang
 D650,327 S 12/2011 Kingston
 D656,197 S 3/2012 Gross
 D662,921 S 7/2012 Clements
 D683,403 S 5/2013 Vasconcelos
 8,454,371 B2 6/2013 Krongard
 D686,193 S 7/2013 Giffin
 D686,195 S 7/2013 Hong
 D686,981 S 7/2013 Koyabu

D688,198 S 8/2013 Takeshita
 D703,213 S * 4/2014 Gifford D14/447
 D708,977 S 7/2014 Corso
 D709,054 S 7/2014 McConnell
 D712,399 S * 9/2014 Sohn D14/336
 D713,811 S * 9/2014 Isaacs D14/138 AA
 D715,279 S 10/2014 Lee
 D726,179 S 4/2015 Orthey
 D736,751 S 8/2015 Lee
 D737,758 S 9/2015 Takeshita
 D747,836 S 1/2016 Cho
 9,299,314 B2 * 3/2016 Lee G06F 3/0488
 D755,127 S 5/2016 Strubi
 D755,292 S * 5/2016 Sirotych D19/113
 D755,785 S 5/2016 Sirotych
 D770,449 S * 11/2016 Bae D14/341
 D770,450 S 11/2016 Bae
 D770,998 S 11/2016 Kwak
 D771,628 S 11/2016 Bae
 D773,422 S 12/2016 Han
 D776,112 S * 1/2017 Bae D14/374
 D778,365 S 2/2017 Kott
 D802,590 S * 11/2017 Bae D14/374
 D802,591 S * 11/2017 Bae D14/374
 2006/0146531 A1 7/2006 Reo
 2007/0105418 A1 5/2007 Fu
 2013/0033434 A1 * 2/2013 Richardson G06F 3/0488
 345/173
 2014/0065366 A1 3/2014 Joubaud
 2016/0327302 A1 11/2016 Ribbich

OTHER PUBLICATIONS

Product name “Quartet Prestige Plus DuraMax Porcelain Whiteboard”, publicly available prior to Mar. 2, 2016, Images available at <http://canadianofficesupplies.com/acco-brands-corporation/quartet-prestige-plus-duramaxporcelain-whiteboard/QRTP567T/p>.
 Product name “Quartet Infinity Magnetic White Glass Marker Board”, publicly available prior to Mar. 2, 2016, images available at <http://www.officedepot.com/a/products/190973/Quartet-Infinity-Magnetic-White-Glass-Marker/>.
 Quartet Glass Dry Erase Board, Magnetic, Item G8548HT, amazon.com, 4 pages, Dec. 15, 2016.

* cited by examiner

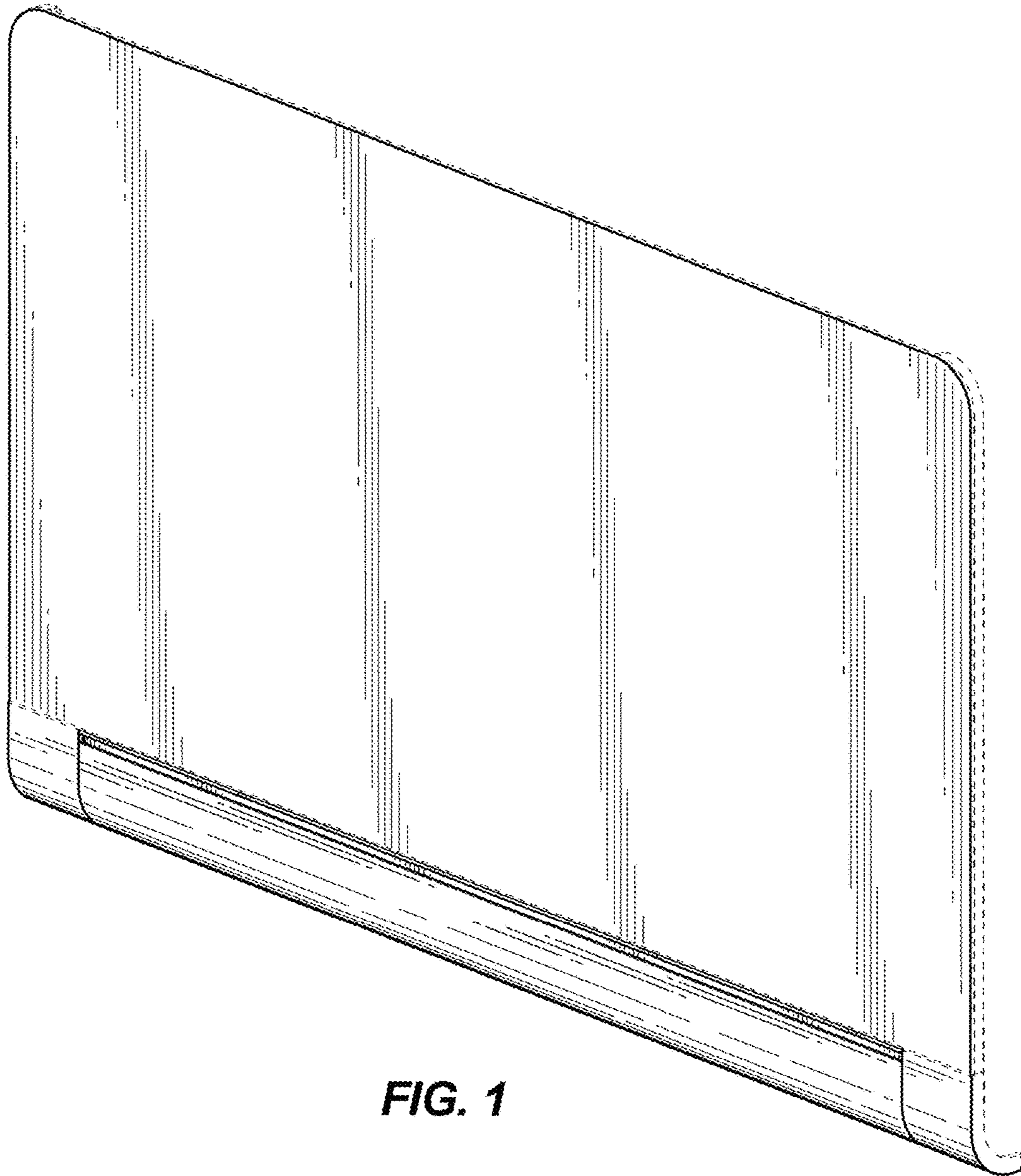


FIG. 1

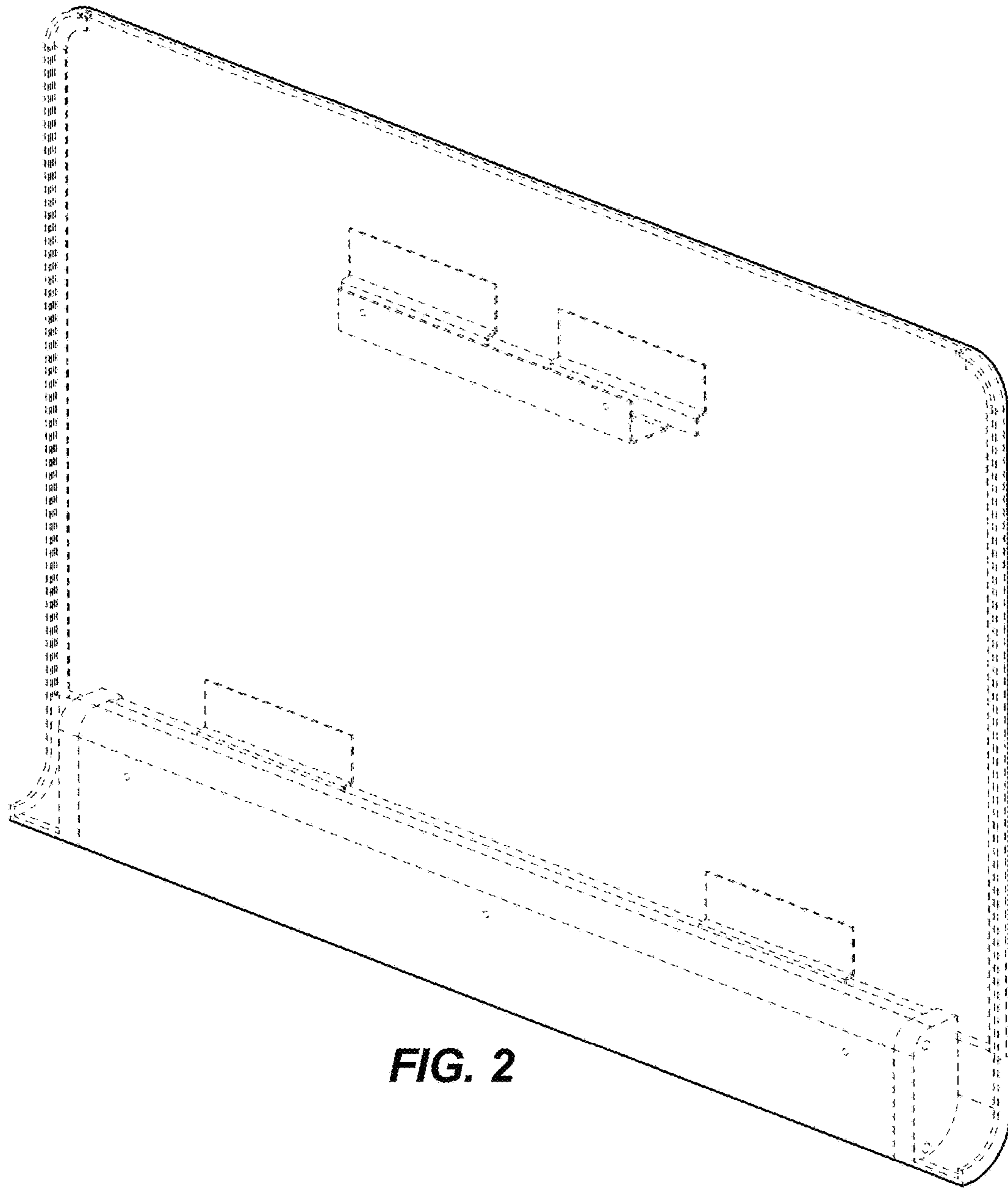


FIG. 2

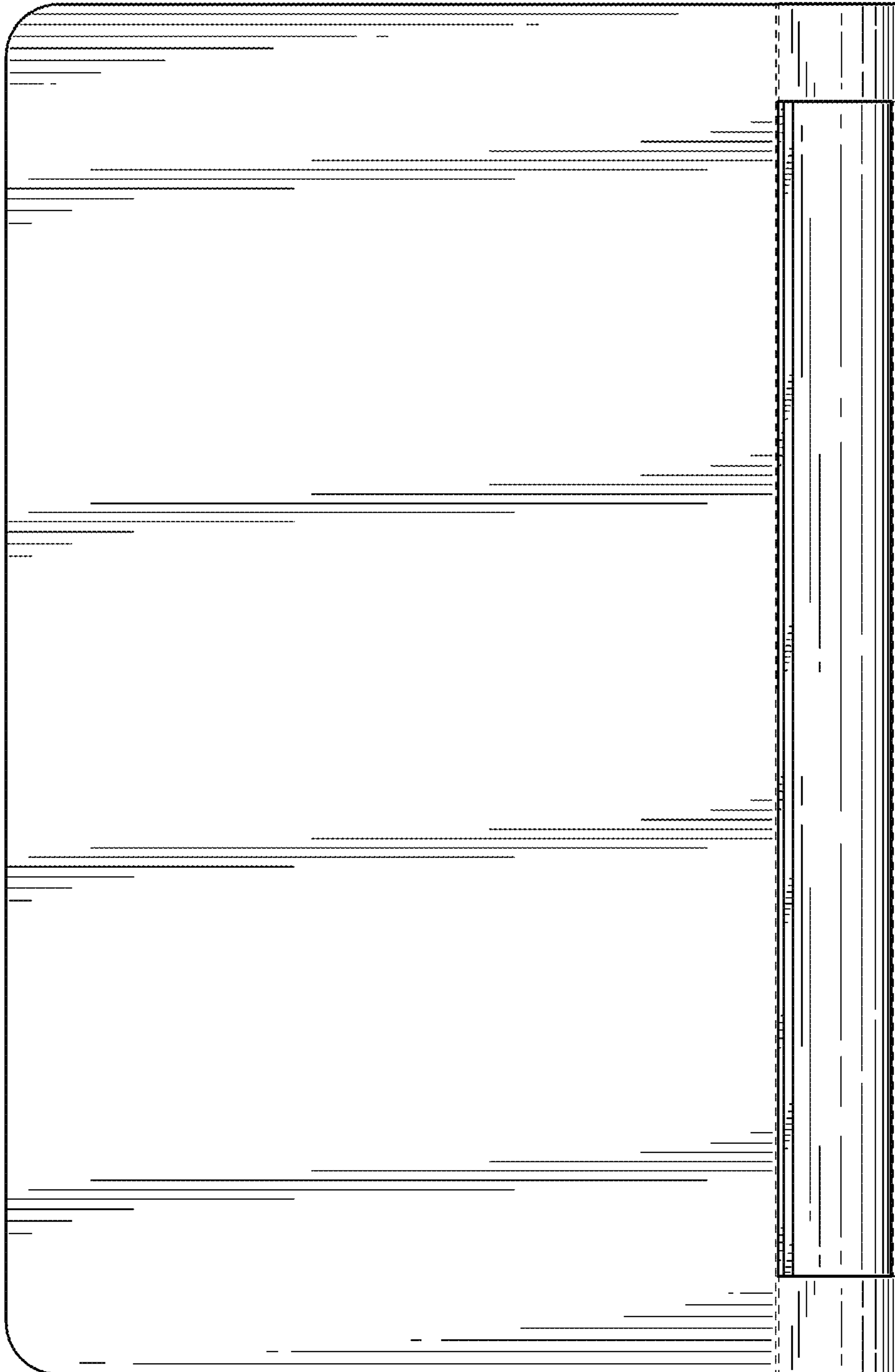


FIG. 3

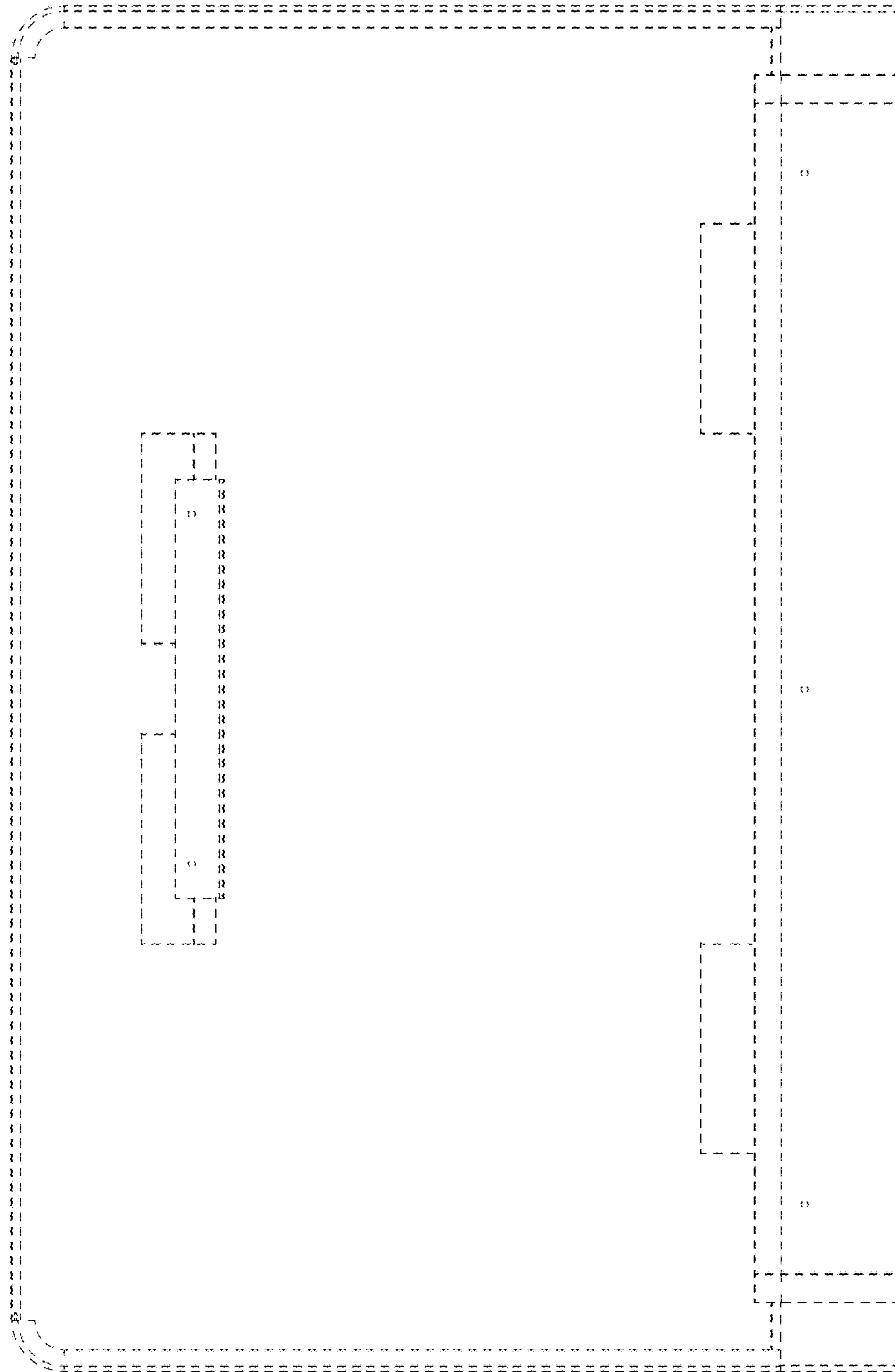


FIG. 4



FIG. 5

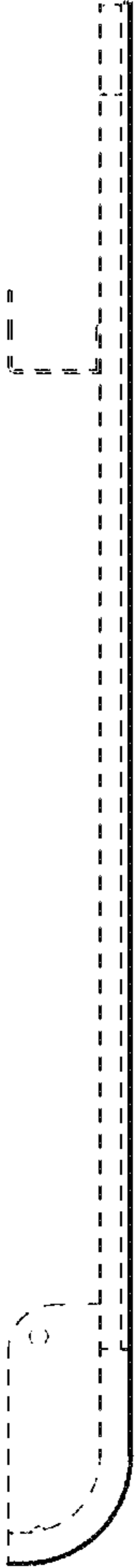


FIG. 6

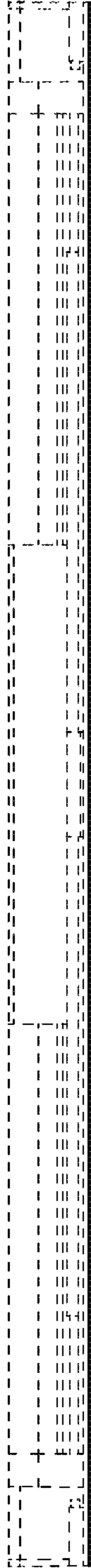


FIG. 7

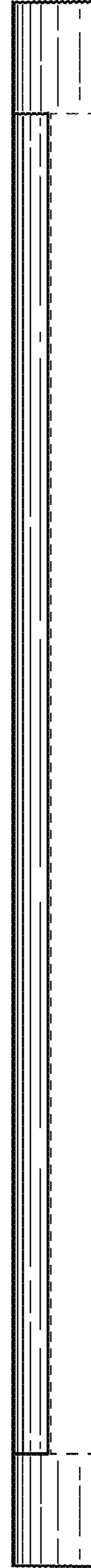


FIG. 8

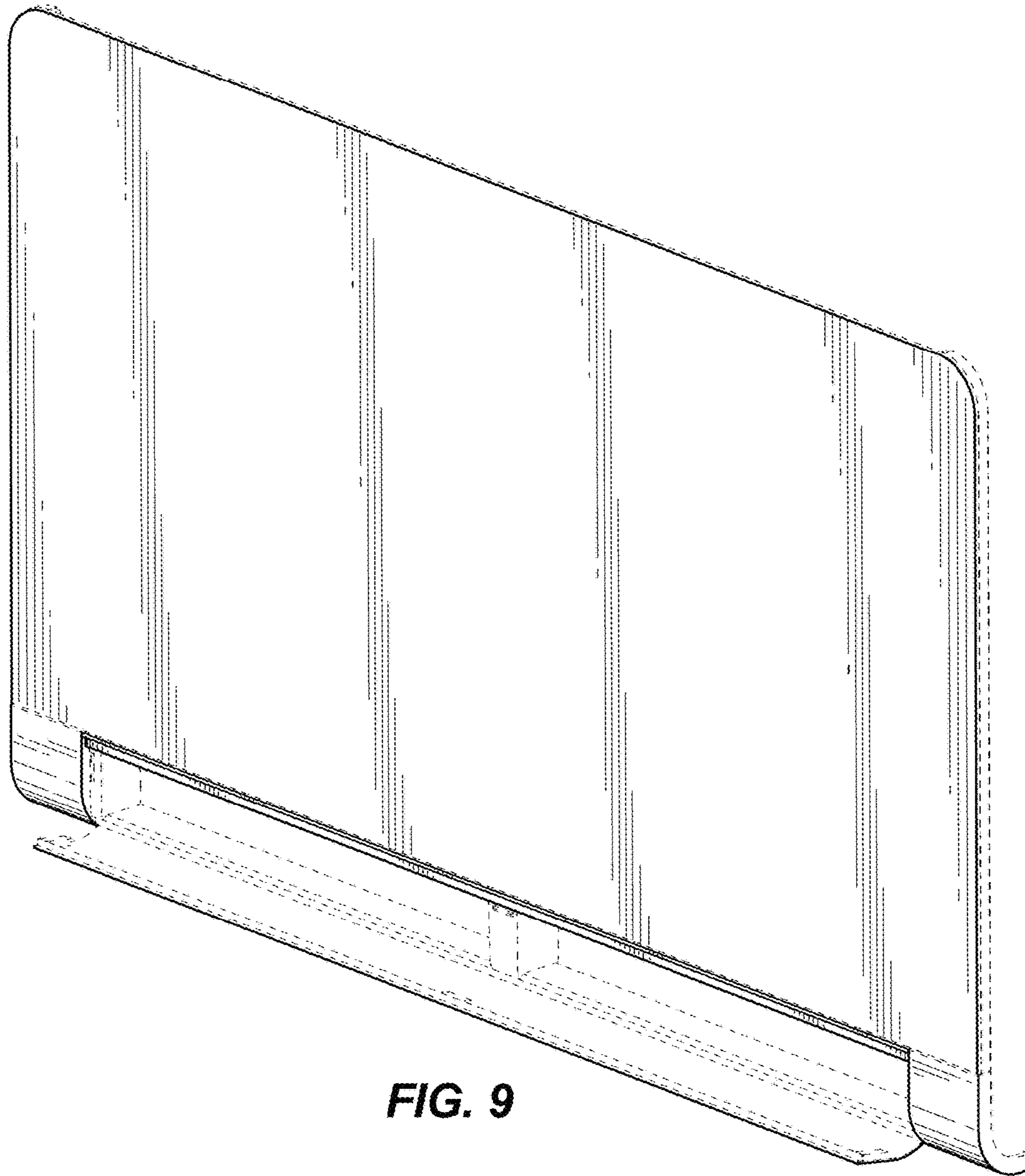


FIG. 9

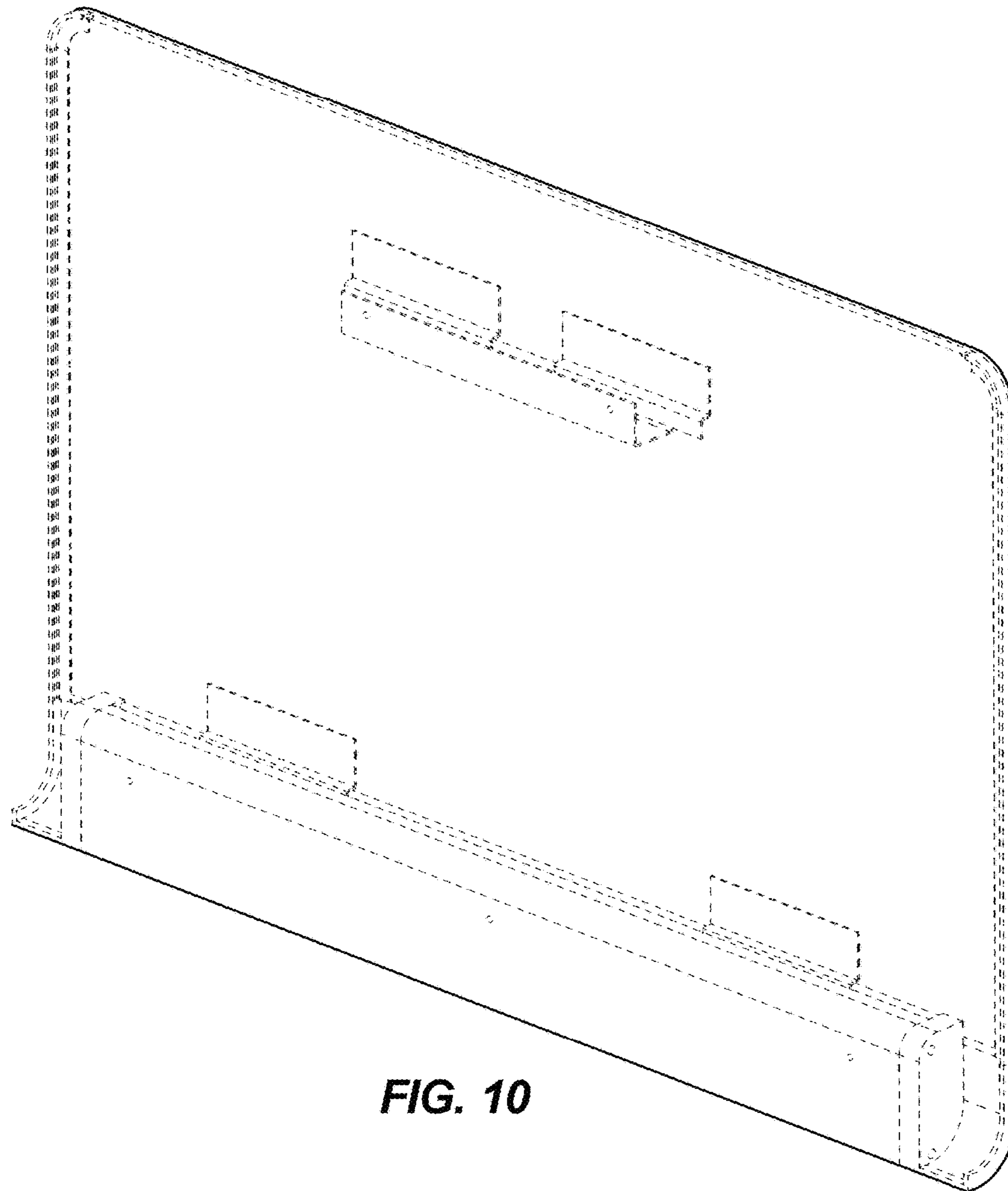


FIG. 10

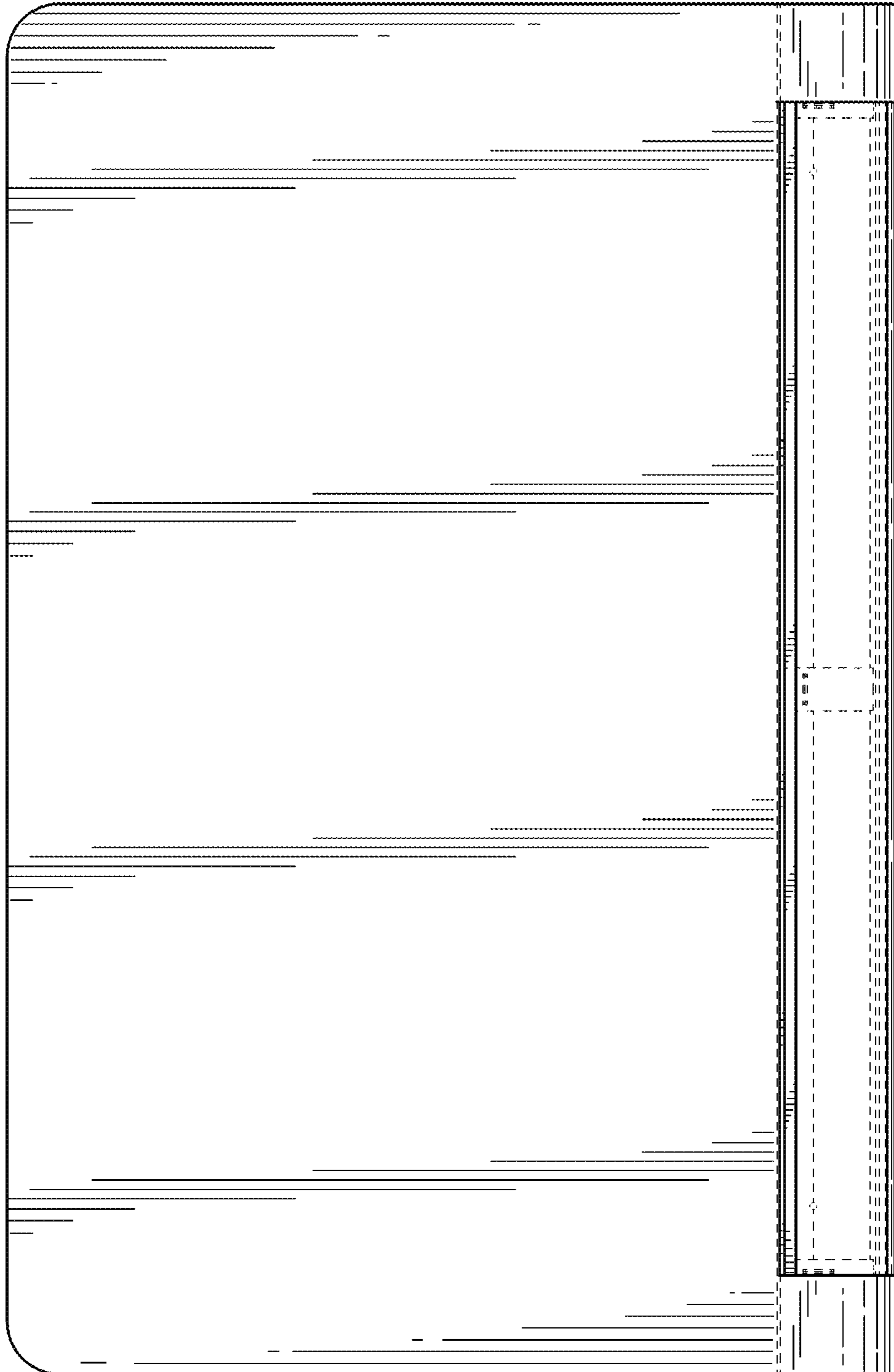


FIG. 11

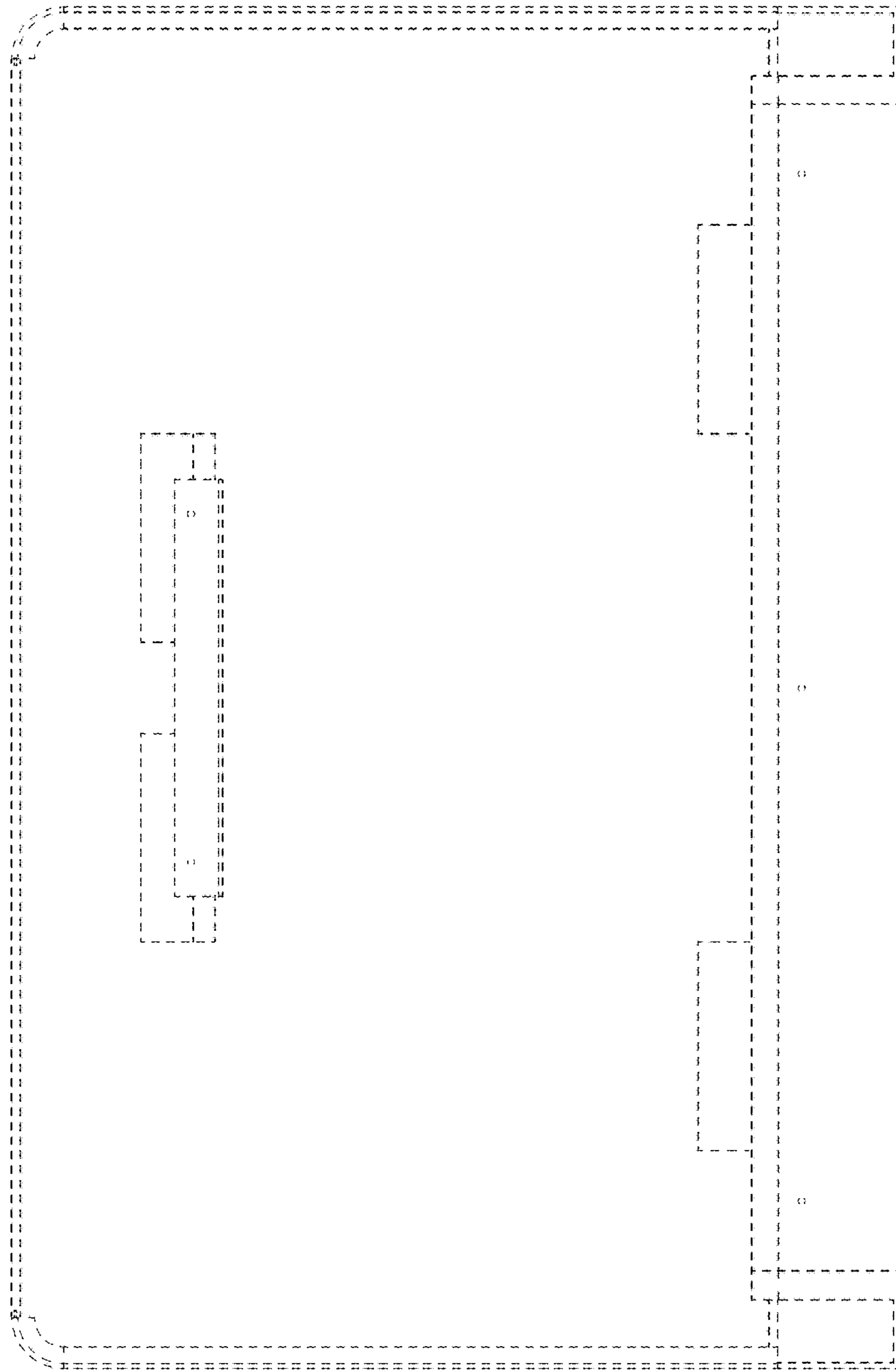


FIG. 12

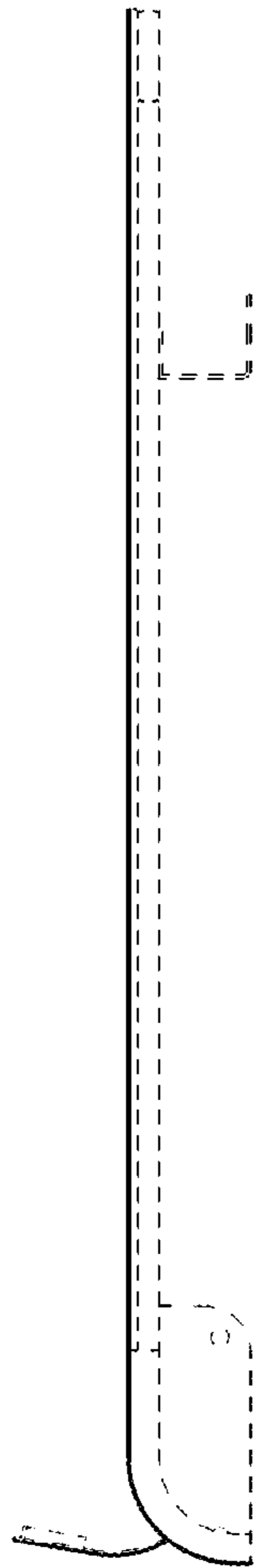


FIG. 13

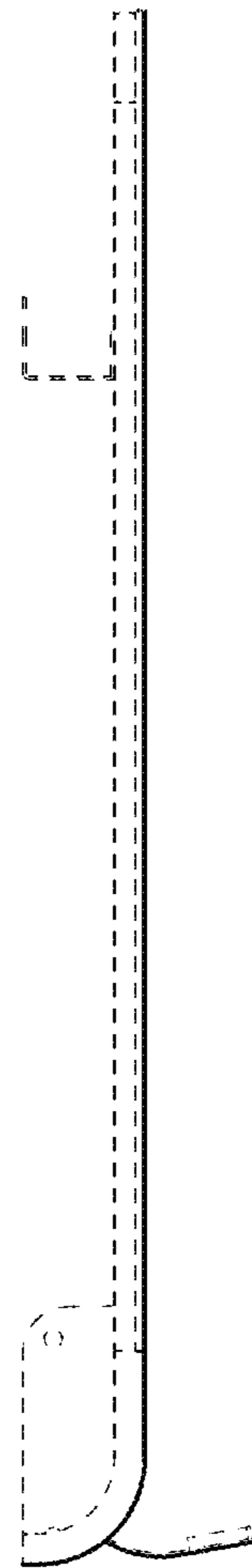


FIG. 14

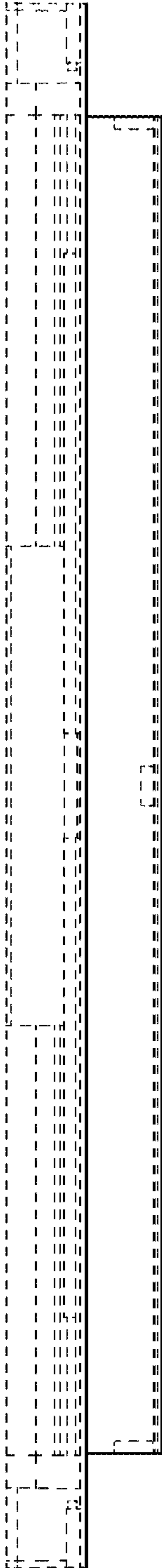


FIG. 15

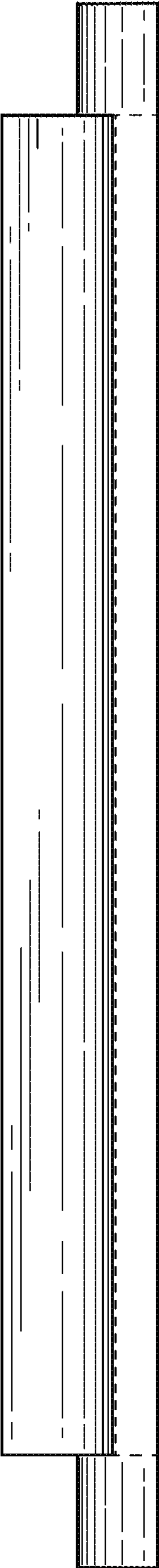


FIG. 16