

US00D836718S

(12) **United States Design Patent** (10) **Patent No.:** **US D836,718 S**
Xie (45) **Date of Patent:** **** Dec. 25, 2018**

(54) **PENCIL SHARPENER**
(71) Applicant: **Beifa Group Co., Ltd., Ningbo (CN)**
(72) Inventor: **Jianzhe Xie, Ningbo (CN)**
(73) Assignee: **Beifa Group Co., Ltd., Ningbo (CN)**
(**) Term: **15 Years**
(21) Appl. No.: **29/601,981**

(22) Filed: **Apr. 27, 2017**

(30) **Foreign Application Priority Data**

Oct. 28, 2016 (CN) 2016 3 0533193

(51) **LOC (11) Cl.** **19-06**

(52) **U.S. Cl.**
USPC **D19/73; D19/912; D19/916**

(58) **Field of Classification Search**
USPC D19/72-74; D8/91, 93, 98, 100
CPC B43L 23/00; B43L 23/002; B43L 23/006;
B43L 23/008; B43L 23/02; B43L 23/04;
B43L 23/06; B43L 23/08; B43L 23/085
See application file for complete search history.

(56) **References Cited**

U.S. PATENT DOCUMENTS

2,513,704 A * 7/1950 Arant B43L 23/08
30/454
3,696,557 A * 10/1972 Ruppel A63H 33/005
446/444
D238,669 S * 2/1976 MacGregor D19/73
D261,105 S * 10/1981 Schwartz D9/504
D266,316 S * 9/1982 Du Vall D10/96
D273,766 S * 5/1984 Lampe D9/424
4,736,943 A * 4/1988 Fukuda A63H 13/02
446/310

4,817,936 A * 4/1989 Matsuda A63H 13/02
446/310
D302,384 S * 7/1989 Holewinski D9/529
D312,845 S * 12/1990 Matsuda D21/479
D318,226 S * 7/1991 Camus D23/366
D318,240 S * 7/1991 Pang D10/40
D320,739 S * 10/1991 Camus D23/366
D421,216 S * 2/2000 Abrams D9/643
D480,110 S * 9/2003 Lin D19/69
D594,332 S * 6/2009 Nerubay D9/501
D617,439 S * 6/2010 Valentino D23/367
D661,192 S * 6/2012 Hwang D9/504
8,459,508 B2 * 6/2013 Westphal B65D 83/386
222/131
D701,435 S * 3/2014 Robles D7/628
D712,192 S * 9/2014 Prueksapornpong D7/354
D720,012 S * 12/2014 Ishiwata D19/181
D737,136 S * 8/2015 Lam D9/643
D814,873 S * 4/2018 Roberts D7/589

* cited by examiner

Primary Examiner — Elizabeth A. Albert
(74) *Attorney, Agent, or Firm* — Seed Intellectual
Property Law Group LLP

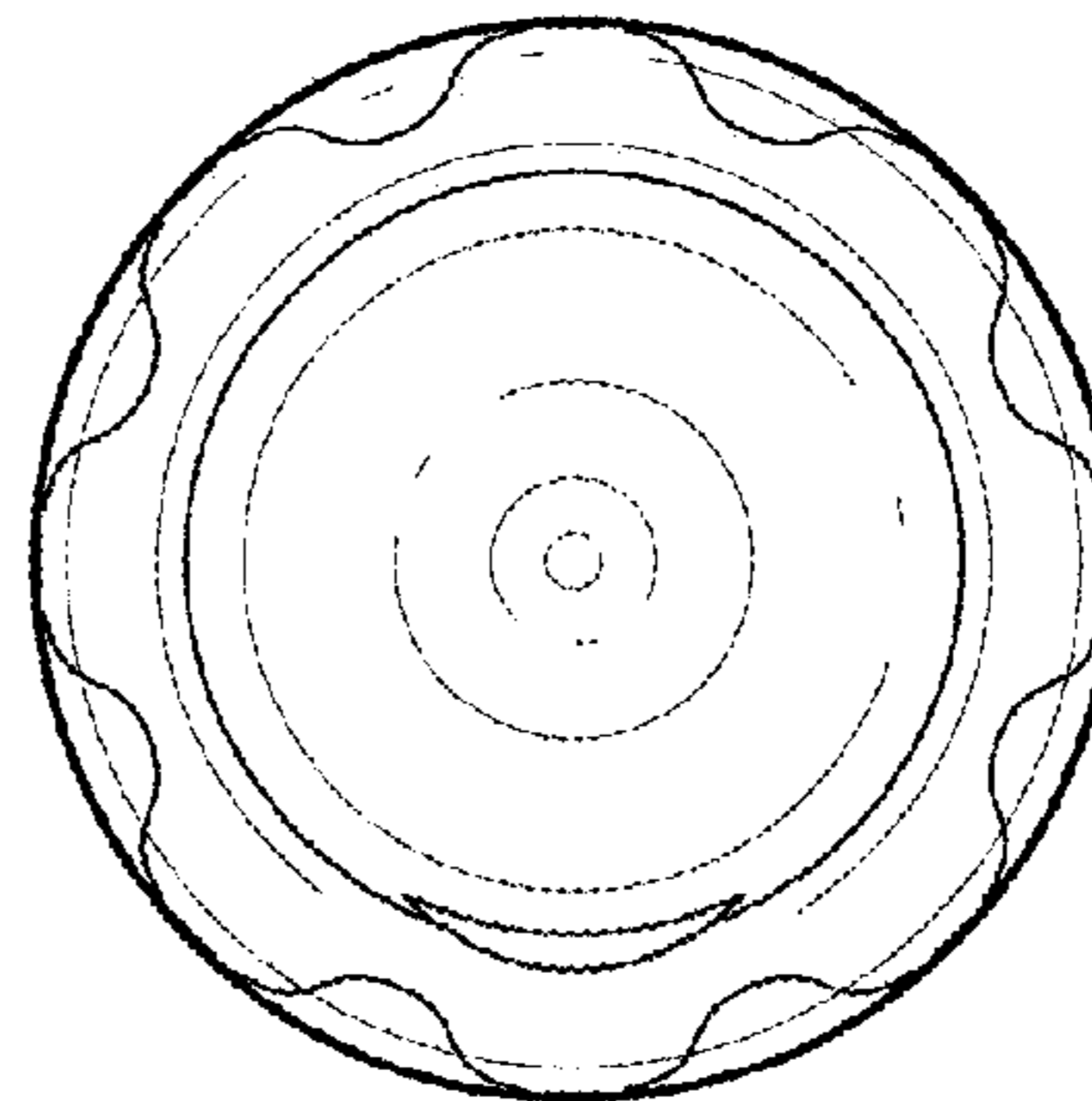
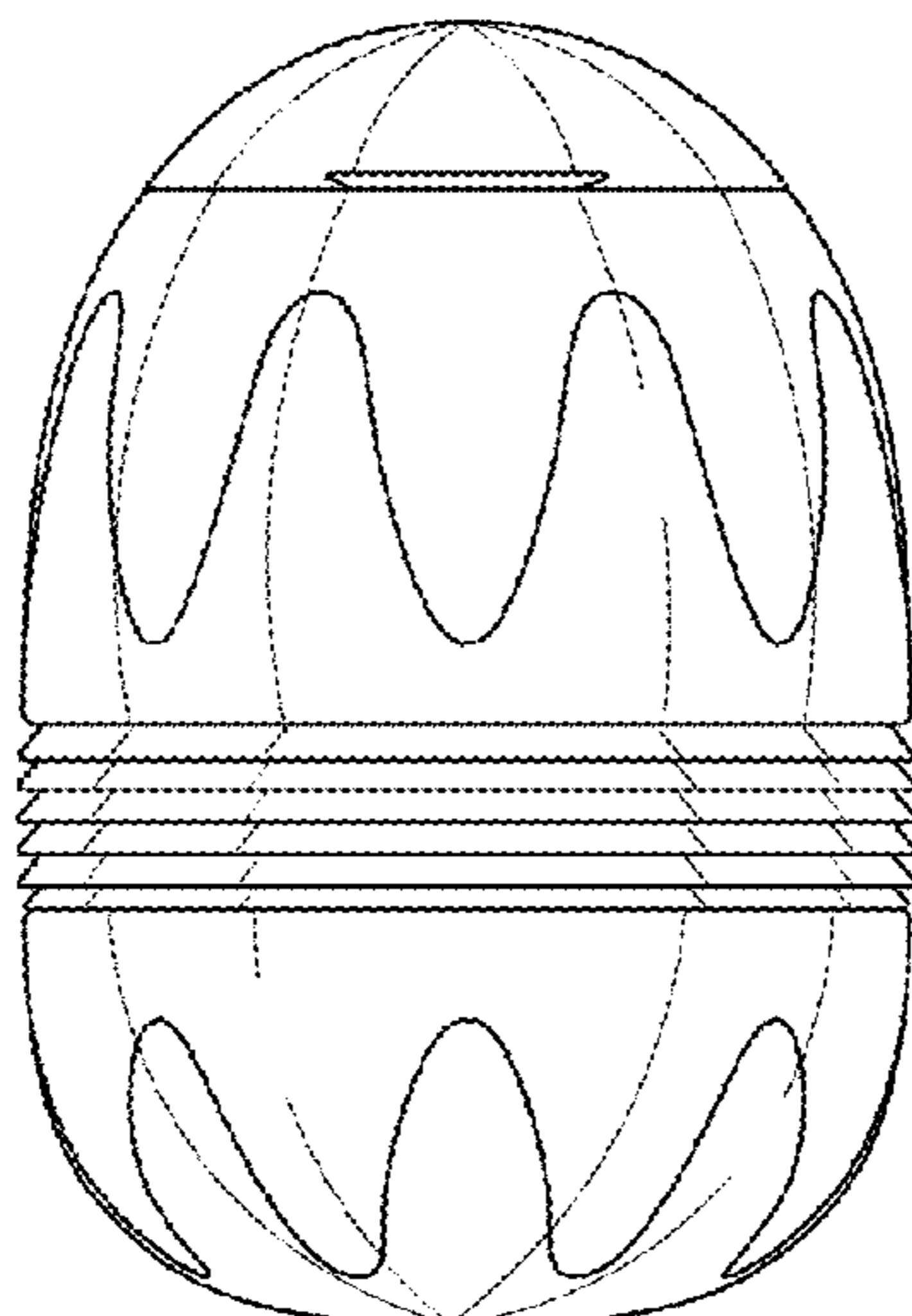
(57) **CLAIM**

The ornamental design for a pencil sharpener, as shown and described.

DESCRIPTION

FIG. 1 is a tilted view of a pencil sharpener rotated between a front and side elevation view showing my new design. FIG. 2 is a front elevation view thereof. FIG. 3 is a rear elevation view thereof. FIG. 4 is a left side elevation view thereof, with the right side elevation view being a mirror image of the left side elevation view. FIG. 5 is a top plan view thereof; and, FIG. 6 is a bottom plan view thereof.

1 Claim, 3 Drawing Sheets



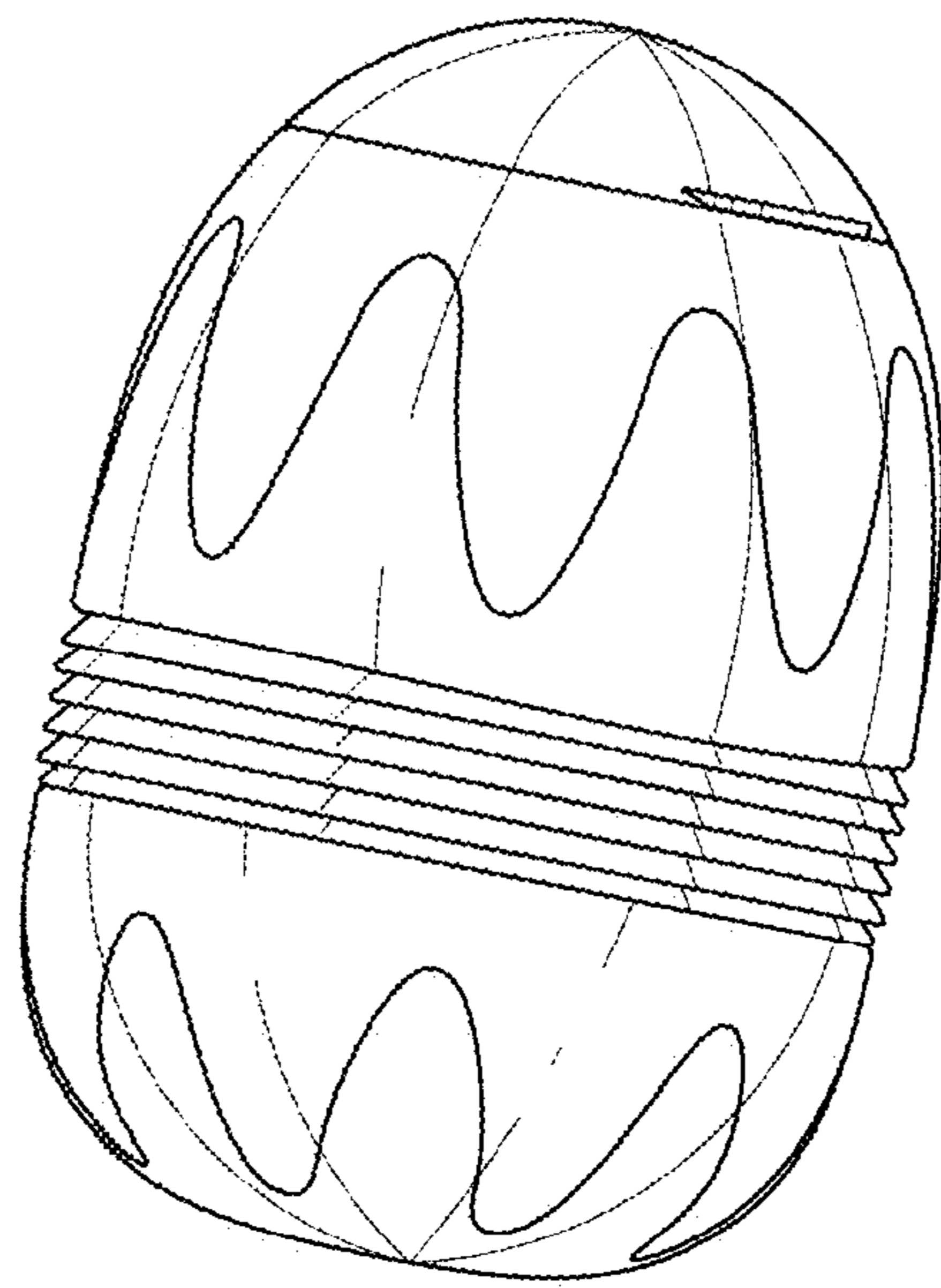


Fig. 1.

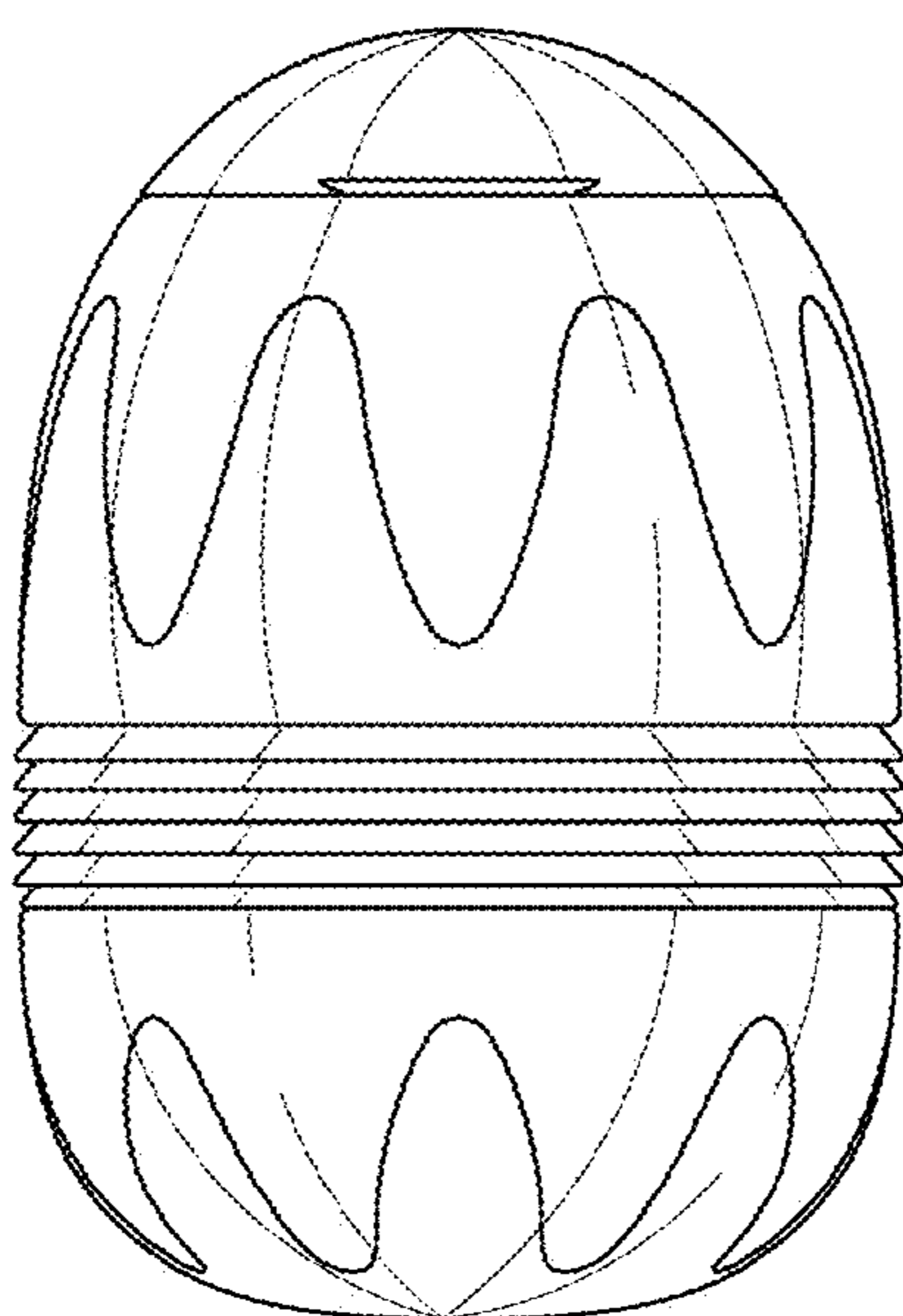


Fig. 2.

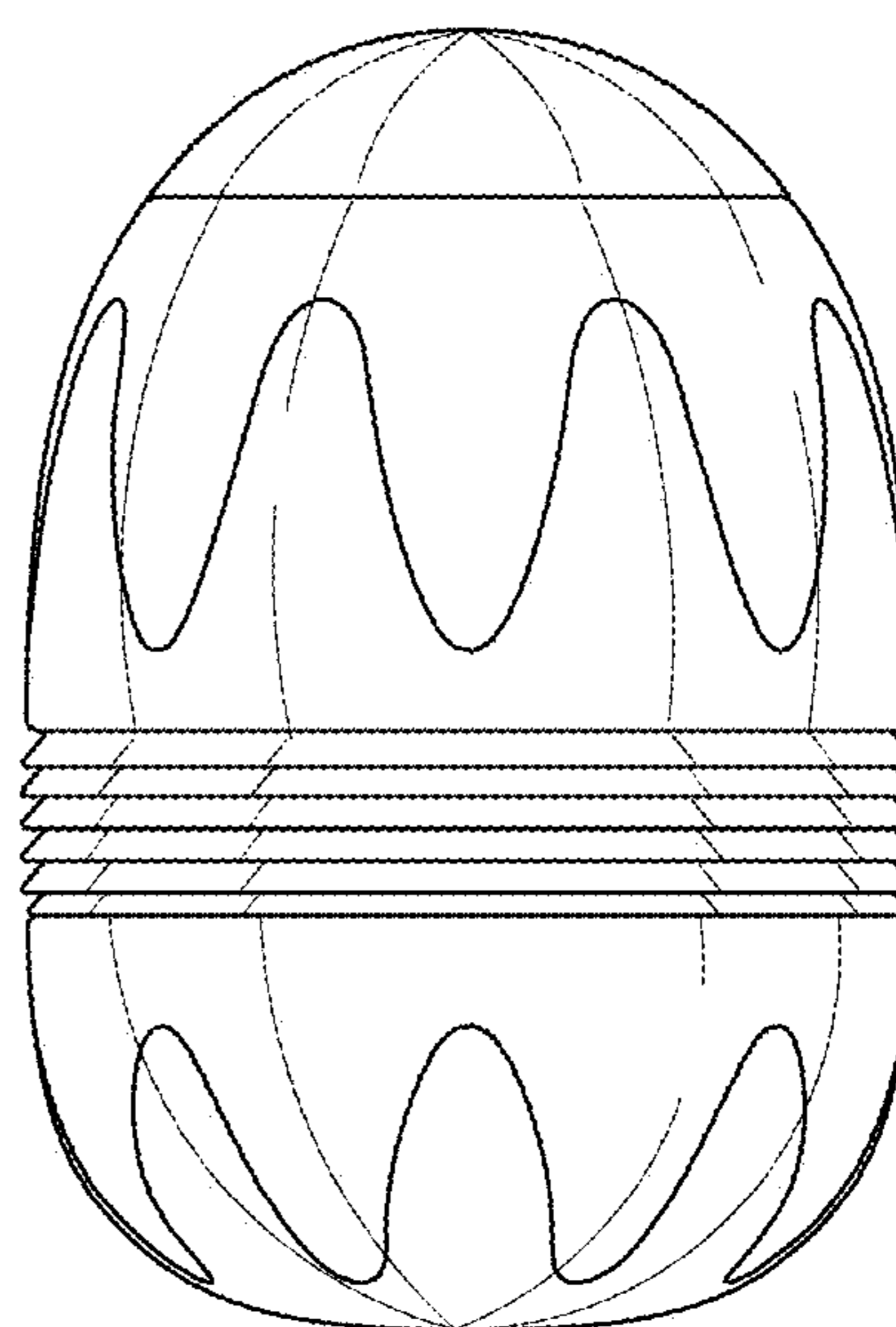


Fig. 3.

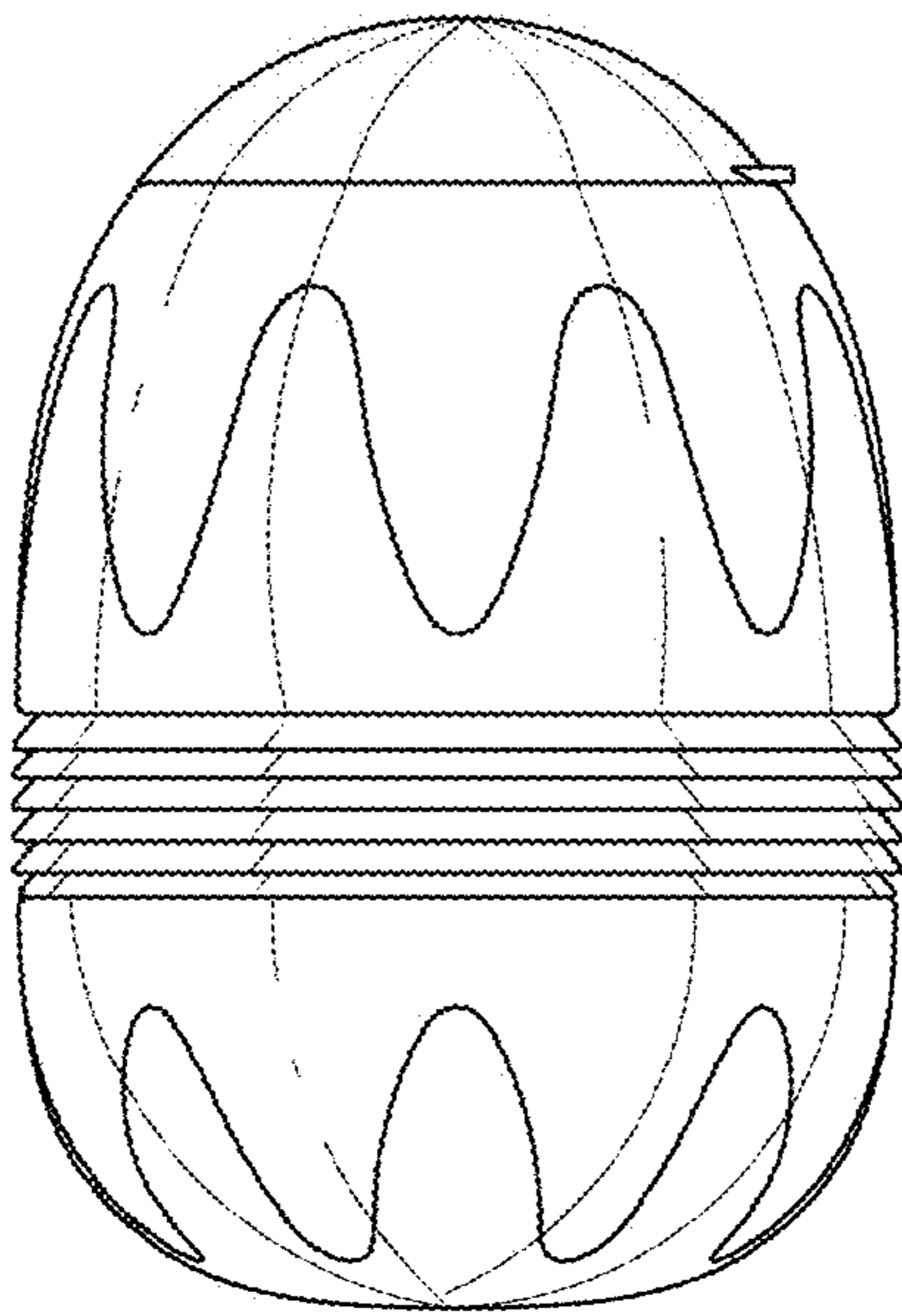


Fig. 4.

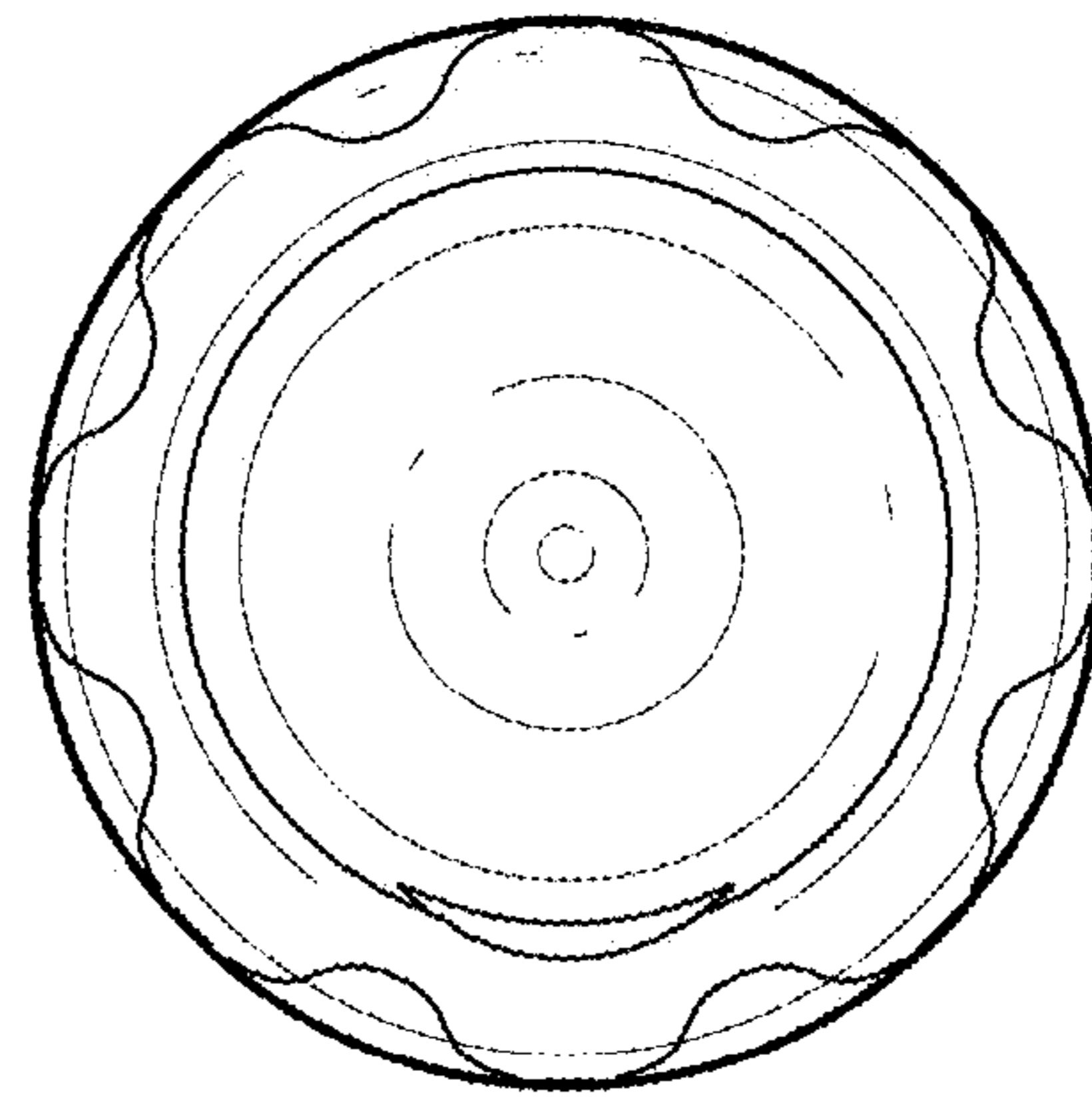


Fig. 5.

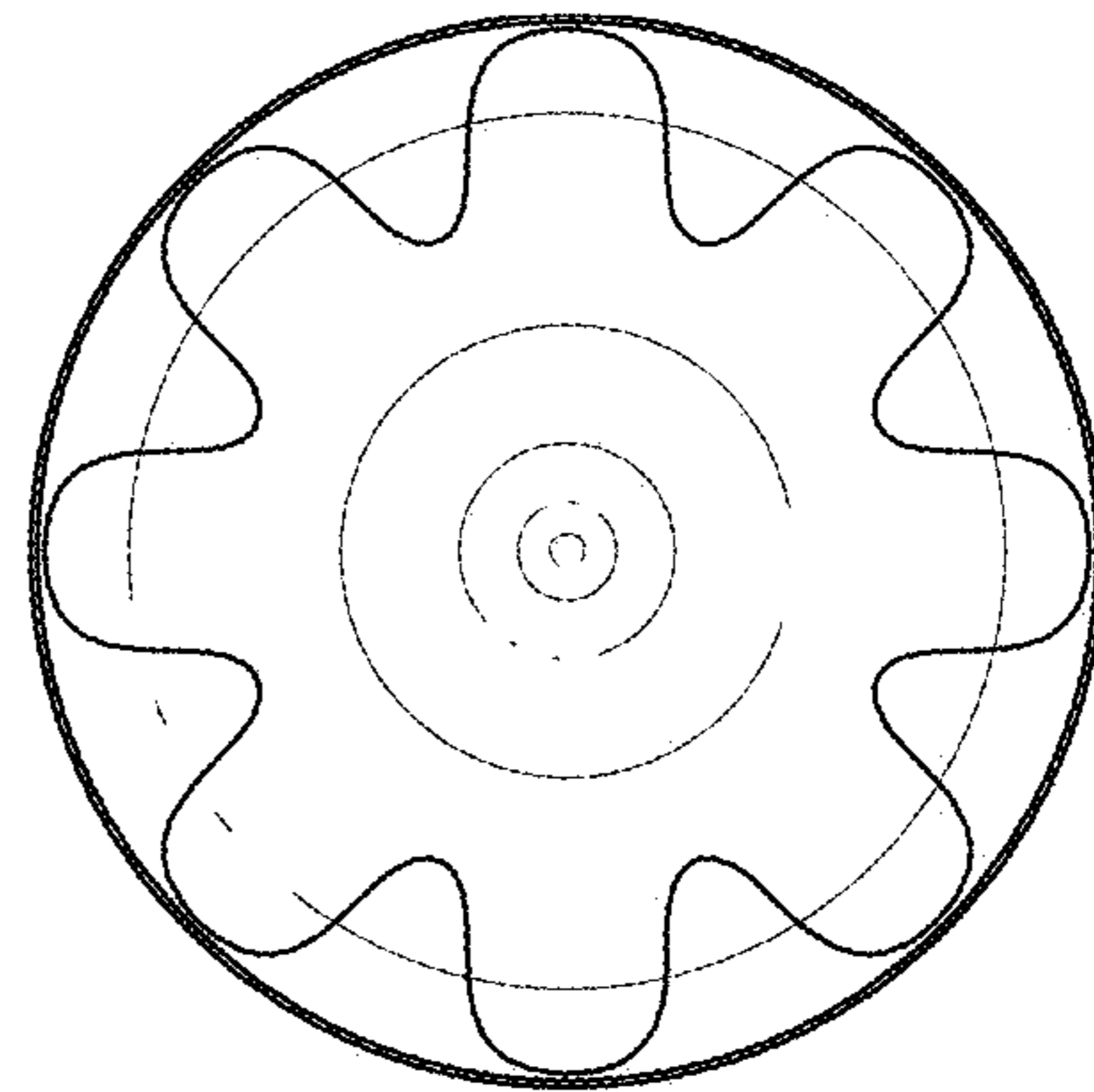


Fig. 6.