



US00D836710S

(12) **United States Design Patent** (10) **Patent No.:** **US D836,710 S**  
**Guyre** (45) **Date of Patent:** **\*\* Dec. 25, 2018**

(54) **CURVED PEDAL**

(71) Applicant: **Matthew Guyre**, Bellevue, ID (US)

(72) Inventor: **Matthew Guyre**, Bellevue, ID (US)

(\*\*) Term: **15 Years**

(21) Appl. No.: **29/602,088**

(22) Filed: **Apr. 28, 2017**

**Related U.S. Application Data**

(63) Continuation-in-part of application No. 15/530,680, filed on Nov. 1, 2016.

(51) **LOC (11) Cl.** ..... **17-04**

(52) **U.S. Cl.**  
USPC ..... **D17/22**

(58) **Field of Classification Search**  
USPC ..... D17/4, 9, 13, 20-22, 24, 99; D30/146, D30/149; D2/946-947, 951, 960, D2/964-965, 968; D21/405, 409-411, D21/483, 513, 516, 663, 423; D12/114, D12/117, 125; D34/9; D13/167, 115  
CPC ..... G10D 13/00; G10D 13/006; G10D 13/02; G10D 13/024; G10D 13/025; G10D 13/065; G10H 1/348

See application file for complete search history.

(56) **References Cited**

**U.S. PATENT DOCUMENTS**

846,391 A	3/1907	Bower	
852,881 A	5/1907	Kendis	
1,042,919 A	10/1912	Hughes	
1,092,276 A	4/1914	Ludwig	
1,209,804 A	12/1916	Bessinger	
1,319,994 A	10/1919	Dorn	
D55,365 S *	6/1920	Champane	D17/99
D59,788 S *	11/1921	Schwartz	D26/128
2,132,211 A	10/1938	Hueckstead	
D116,141 S *	8/1939	Marciano	D16/314

(Continued)

**FOREIGN PATENT DOCUMENTS**

CN 3340657 \* 6/2003  
CN 2627614 Y 7/2004

(Continued)

**OTHER PUBLICATIONS**

Reverb, All About that Bass Drum Pedal, posted on Mar. 4, 2015, [online], [site visited on Jan. 23, 2018]. Available from Internet, <URL: https://reverb.com/news/all-about-that-bass-drum-pedal> (Year: 2015).\*

(Continued)

*Primary Examiner* — Sheryl Lane

*Assistant Examiner* — Samantha N Wood

(74) *Attorney, Agent, or Firm* — JTT Patent Services, LLC; Gerald T. Peters; Seiko Brown

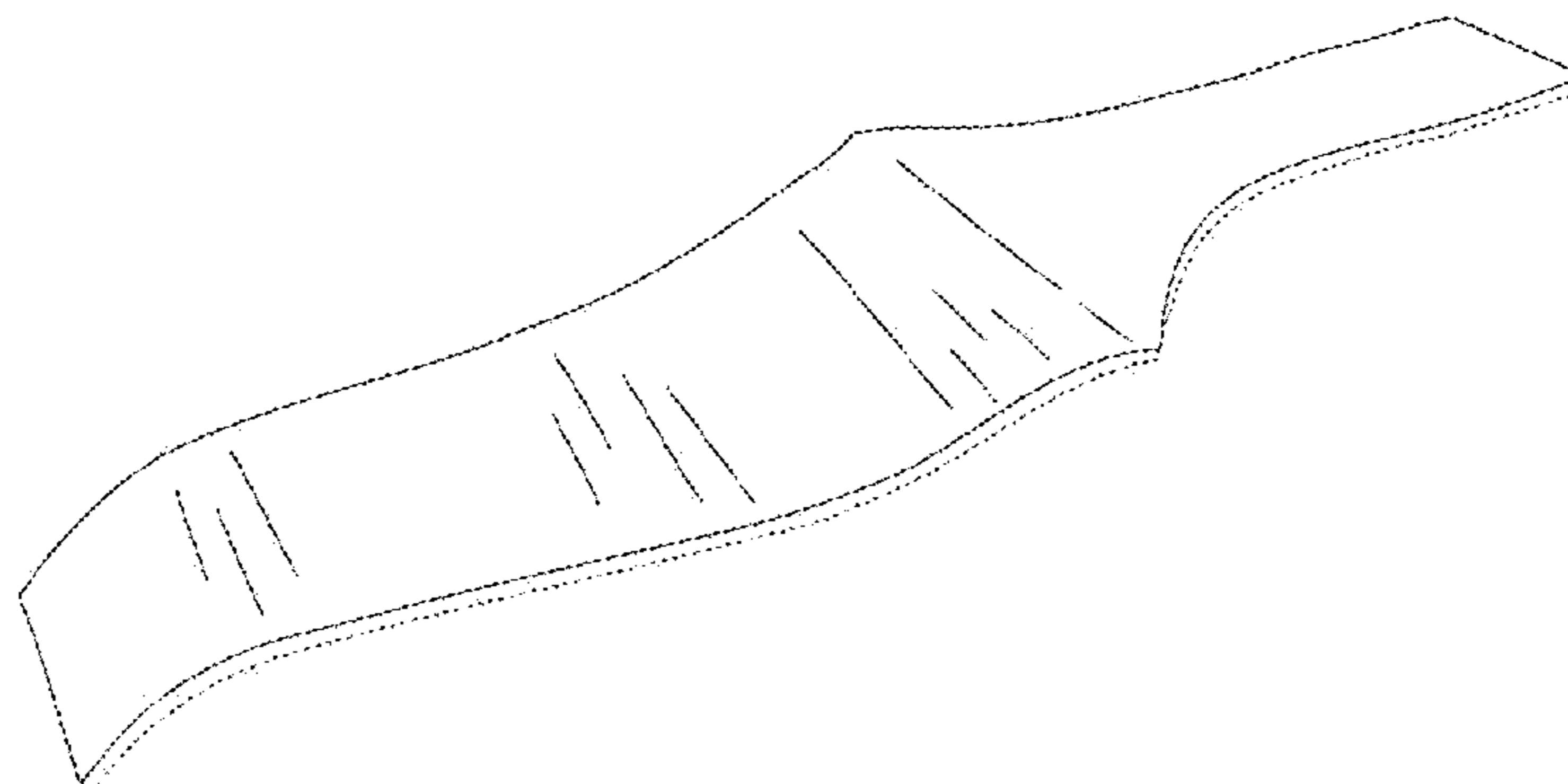
(57) **CLAIM**

The ornamental design for a curved pedal, as shown and described.

**DESCRIPTION**

FIG. 1 is a right side view of a curved pedal, showing my new design, in an exemplary environment; FIG. 2 is a left side view thereof; FIG. 3 is a top view thereof; FIG. 4 is a bottom view thereof; FIG. 5 is a rear view thereof; FIG. 6 is a front view thereof; and, FIG. 7 is a perspective view, not drawn to scale, showing schematically how the curved pedal would appear when removed from its exemplary environment. In the drawings, portions drawn in solid line indicate claimed subject matter, while portions drawn in broken line indicate unclaimed environmental structure.

**1 Claim, 6 Drawing Sheets**



(56)

References Cited

U.S. PATENT DOCUMENTS

2,540,051 A 1/1951 Ludwig  
 2,628,507 A 2/1953 Juergens  
 2,680,384 A 6/1954 Horrocks  
 2,893,284 A 7/1959 Washington  
 D199,951 S 12/1964 Golden  
 3,592,076 A 7/1971 Baginski  
 4,198,894 A 4/1980 Della-Porta  
 4,310,064 A 1/1982 Kazarian, Jr.  
 4,313,352 A 2/1982 Okajima  
 4,335,628 A 6/1982 Shimano  
 4,691,613 A 9/1987 Jacobson  
 D299,222 S 1/1989 Feamster, III  
 D311,989 S \* 11/1990 Parker ..... D2/947  
 D320,369 S 10/1991 Feamster, III  
 D326,557 S \* 6/1992 Gardner ..... D2/947  
 5,423,231 A 6/1995 Helfrich  
 D390,253 S \* 2/1998 Bacco ..... 84/422.1  
 5,773,736 A \* 6/1998 Hsieh ..... G10D 13/006  
 84/422.1  
 6,002,076 A 12/1999 Karn  
 D439,270 S \* 3/2001 Marcinkiewicz ..... D17/13  
 6,201,173 B1 3/2001 Black  
 6,361,476 B1 3/2002 Eschenbach  
 6,417,433 B1 7/2002 Milla  
 6,541,686 B2 4/2003 O'Donnell  
 6,571,662 B1 6/2003 Mendis  
 6,593,518 B2 7/2003 Hsieh  
 6,647,826 B2 11/2003 Okajima  
 6,684,734 B2 2/2004 Gatzen  
 6,710,237 B2 3/2004 Adams  
 D510,965 S \* 10/2005 Clark ..... B62M 3/08  
 D12/125  
 7,197,957 B2 4/2007 Gatzen  
 D561,236 S \* 2/2008 Muir ..... D17/20  
 D574,210 S \* 8/2008 Packard ..... D8/98  
 D588,269 S \* 3/2009 Wall ..... D24/146  
 7,921,748 B2 4/2011 Kim  
 8,026,434 B2 9/2011 Luo  
 8,455,746 B2 6/2013 Johnston  
 8,642,868 B1 2/2014 Johnston  
 8,674,203 B2 3/2014 Simon  
 8,686,265 B2 4/2014 Johnston  
 8,927,844 B2 1/2015 Kitching  
 8,993,865 B2 3/2015 Liao  
 D729,482 S \* 5/2015 Lentine ..... D32/53  
 9,075,427 B2 7/2015 Muraji  
 9,785,183 B2 10/2017 Kaijala  
 9,840,243 B2 12/2017 Saito  
 9,981,638 B2 5/2018 Kawazu  
 2002/0152872 A1 10/2002 O'Donnell  
 2003/0154846 A1 8/2003 Adams

2003/0213329 A1 11/2003 Gatzen  
 2004/0025667 A1 \* 2/2004 Hampton, Jr. .... G10D 13/006  
 84/426

2004/0144198 A1 7/2004 Gatzen  
 2005/0082786 A1 4/2005 Clark  
 2007/0137419 A1 6/2007 Chen  
 2011/0271818 A1 11/2011 Simon  
 2012/0144976 A1 6/2012 Johnston  
 2012/0198984 A1 8/2012 Johnston  
 2014/0090543 A1 4/2014 Kitching  
 2014/0109399 A1 4/2014 Merlin  
 2014/0116192 A1 5/2014 Hemmege Venkatappa  
 2018/0122342 A1 5/2018 Guyre

FOREIGN PATENT DOCUMENTS

CN 100367346 C 2/2008  
 CN 205428469 U 8/2016  
 CN 201630460652 \* 8/2016  
 DE 3819379 A1 12/1989  
 EP 1112565 A1 7/2001  
 GB 2234045 A 1/1991  
 JP 2005173274 A 6/2005  
 JP 2010243799 A 10/2010  
 WO 9704440 A1 2/1997  
 WO 2002086858 A1 10/2002  
 WO 2018/085341 A1 5/2018

OTHER PUBLICATIONS

Web article entitled "Drum Workshop: MDD Pedals" by John Nyman, published Apr. 24, 2015, downloaded by the undersigned representative for Applicant on Oct. 10, 2016 from <http://www.drummagazine.com/gear/post/drum-workshop-mdd-pedals/>.

Applicant brings to the attention of the Examiner the existence of related copending U.S. Appl. No. 15/530,680, which was filed on Nov. 1, 2017 by the same inventor/Applicant as in the present case, and which was published on May 3, 2018 as US 2018 0122342 A1. Applicant respectfully requests reconsideration of this item which was listed on IDS of Dec. 12, 2017 but lined through by Examiner on Jan. 24, 2018.

Applicant brings to the attention of the Examiner the existence of related copending PCT International Application No. PCT/US17/59463, which was filed on Nov. 1, 2017 by the same inventor/Applicant as in the present case. Applicant respectfully requests reconsideration of this item which was listed on IDS of Dec. 12, 2017 but lined through by Examiner on Jan. 24, 2018.

Applicant brings to the attention of the Examiner the existence of related copending U.S. Appl. No. 29/643,358, which was filed on Apr. 6, 2018 by the same inventor/Applicant as in the present case.

\* cited by examiner

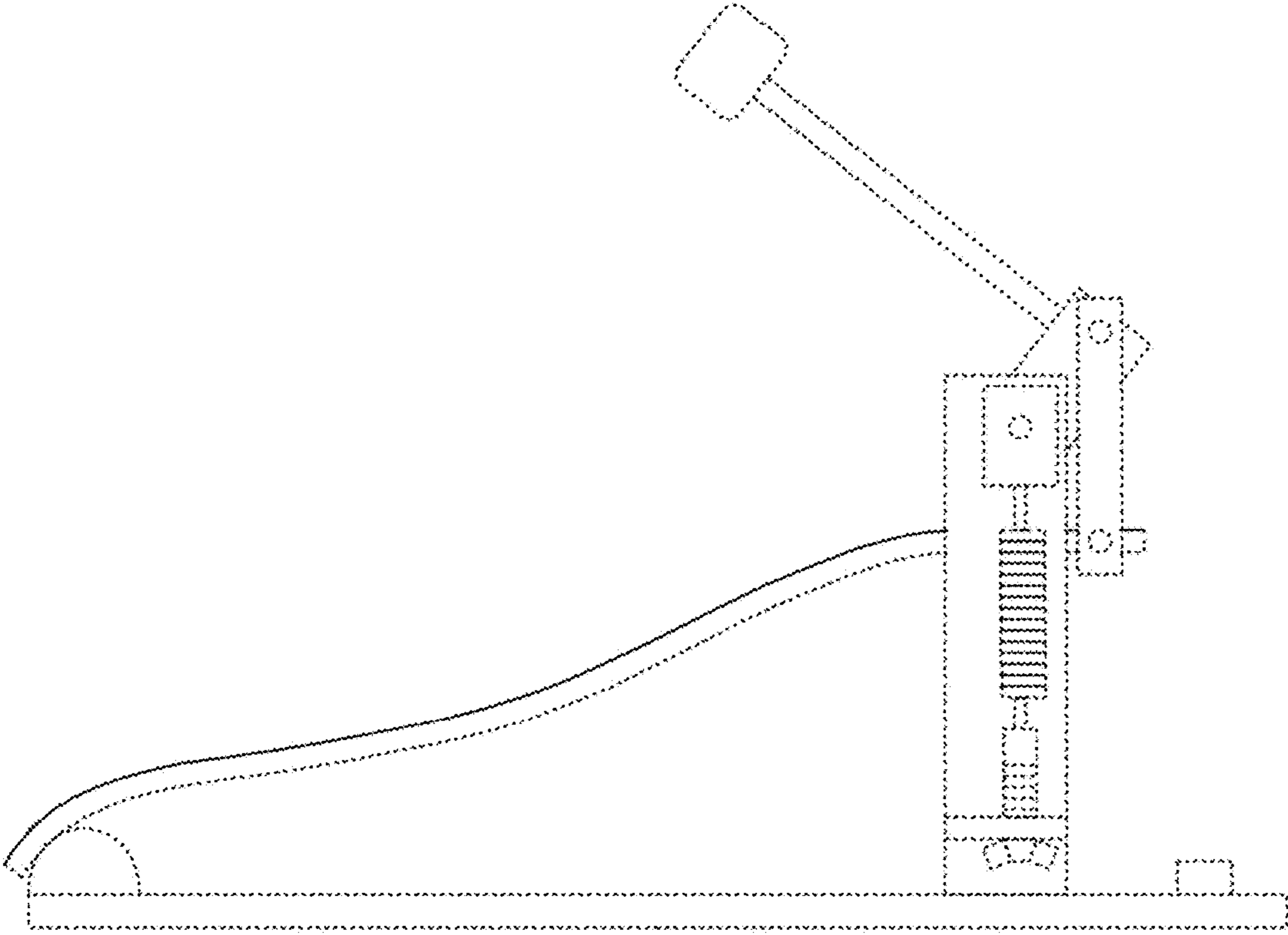


FIG. 1

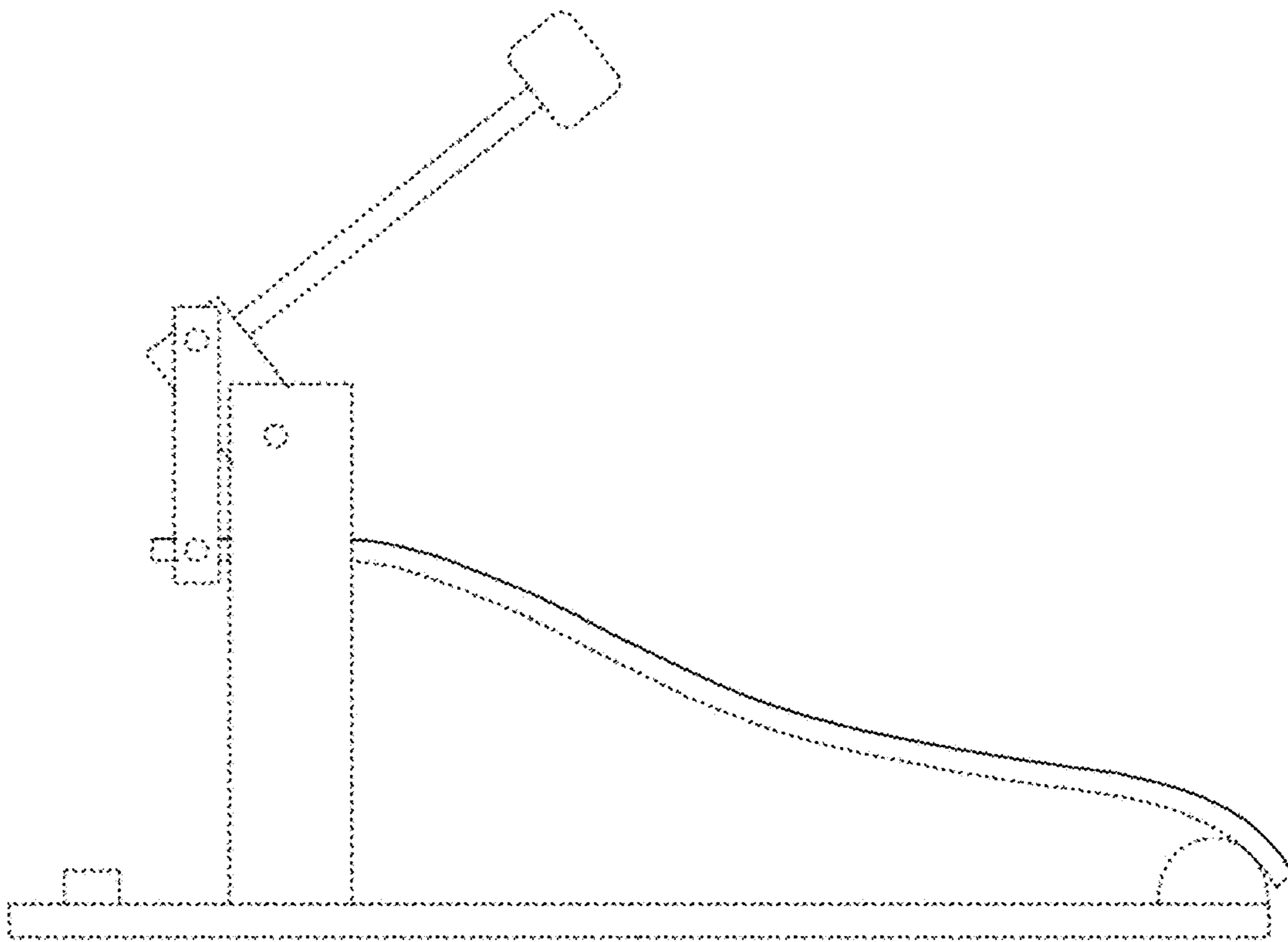


FIG. 2



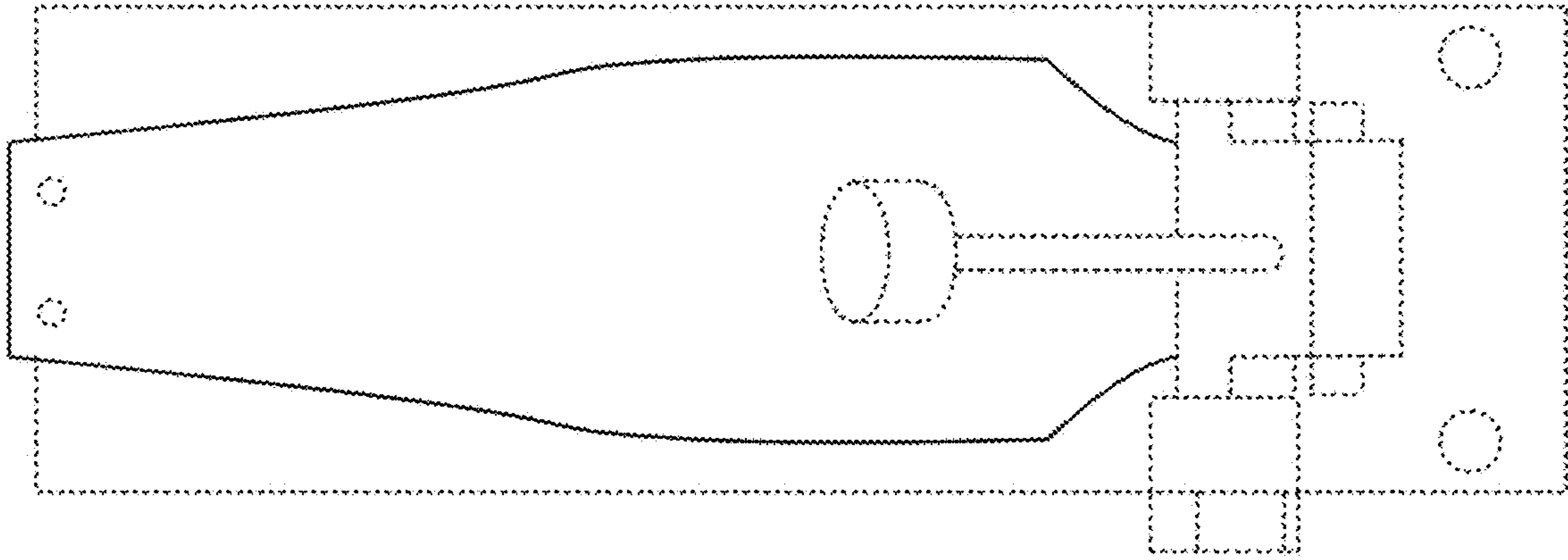


FIG. 3

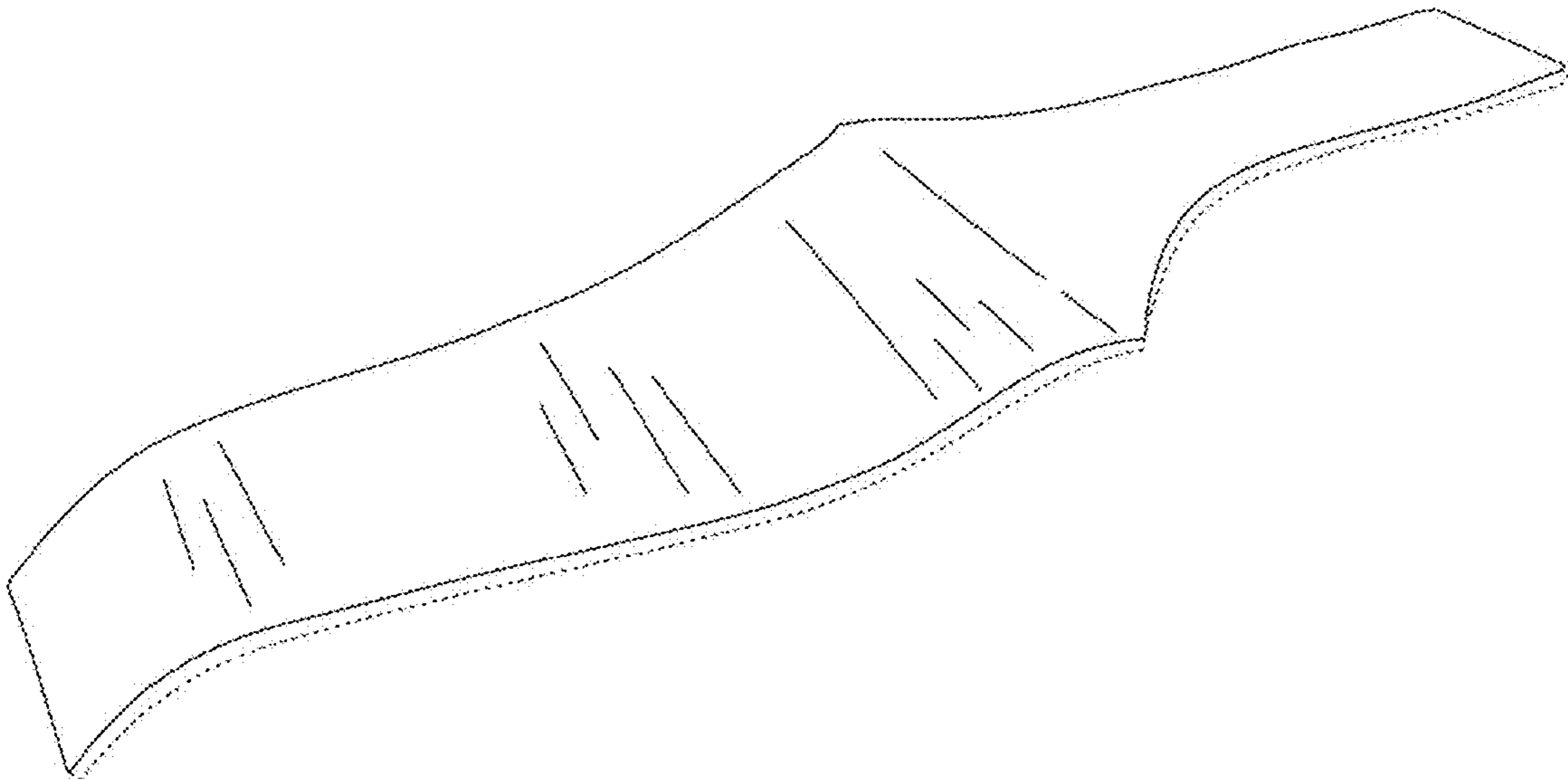


FIG. 7

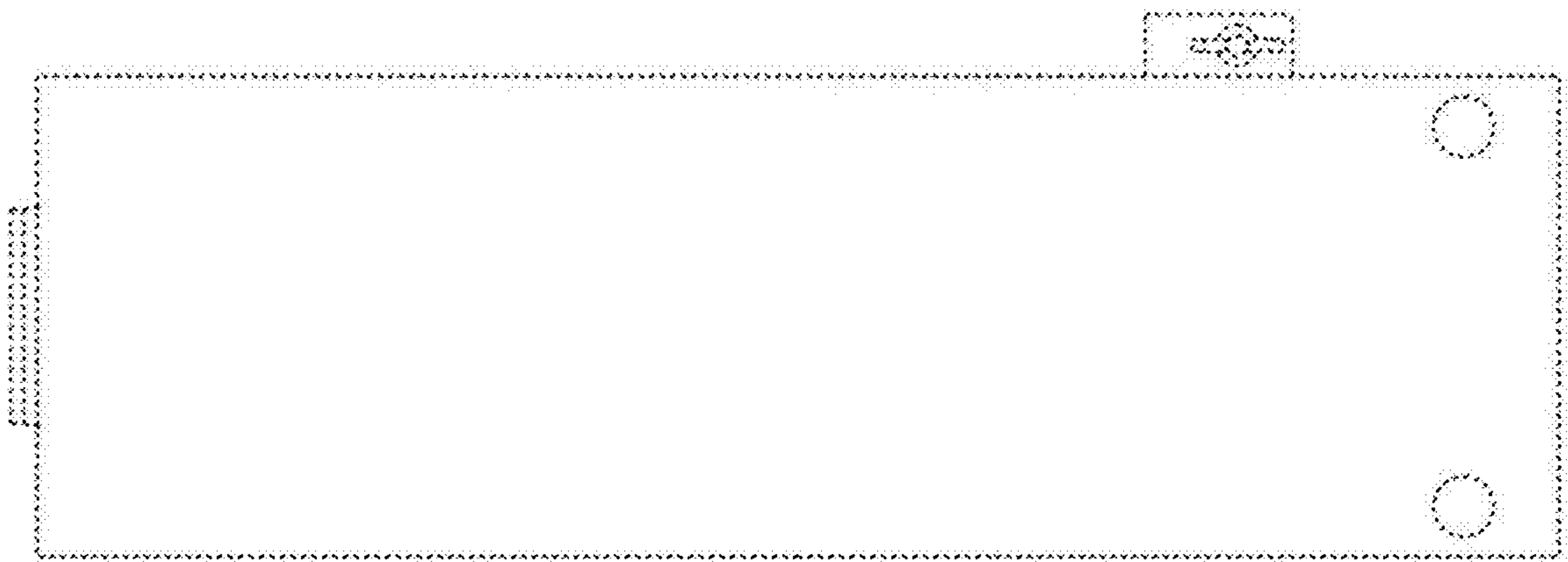


FIG. 4

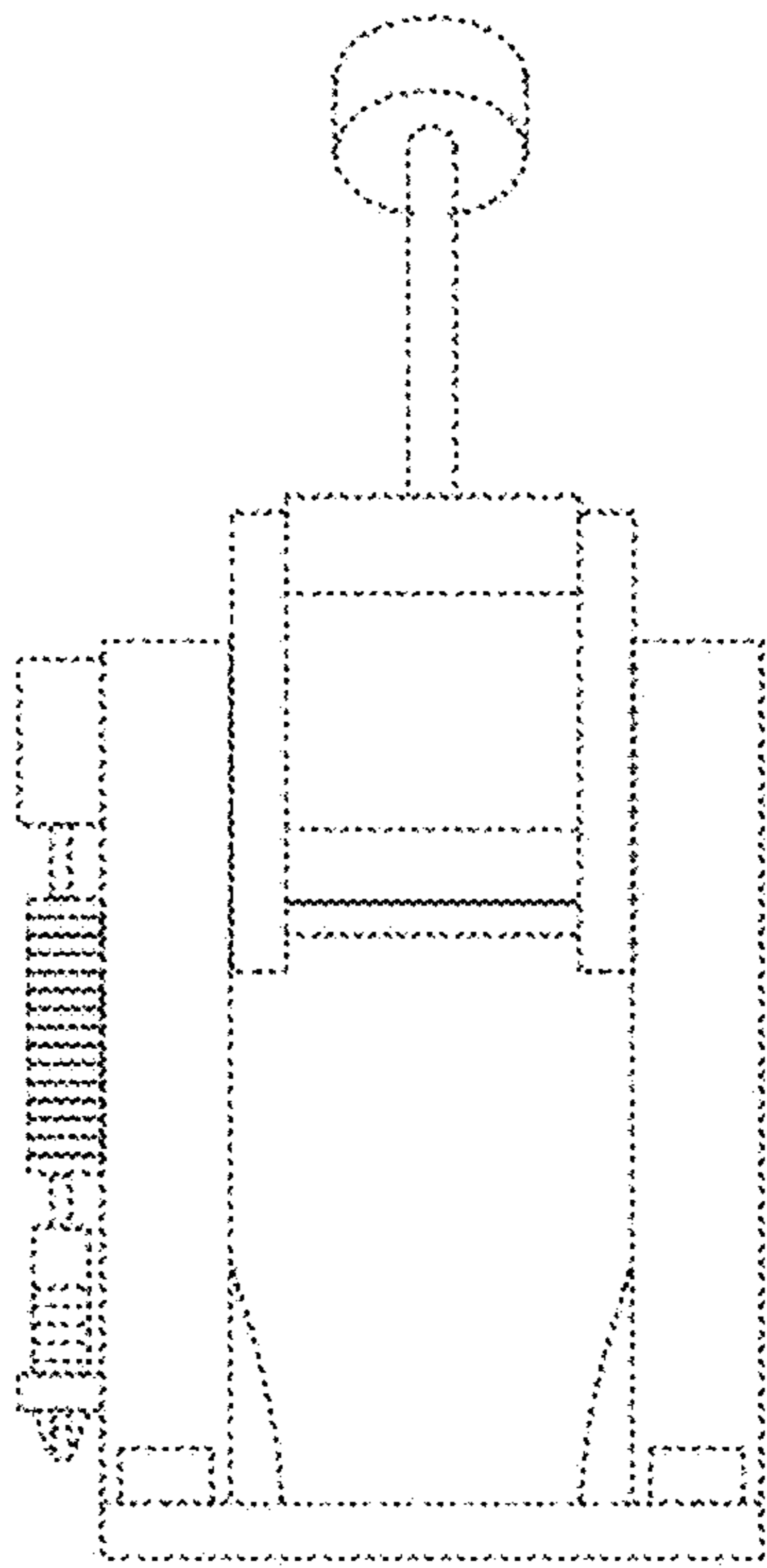


FIG. 5

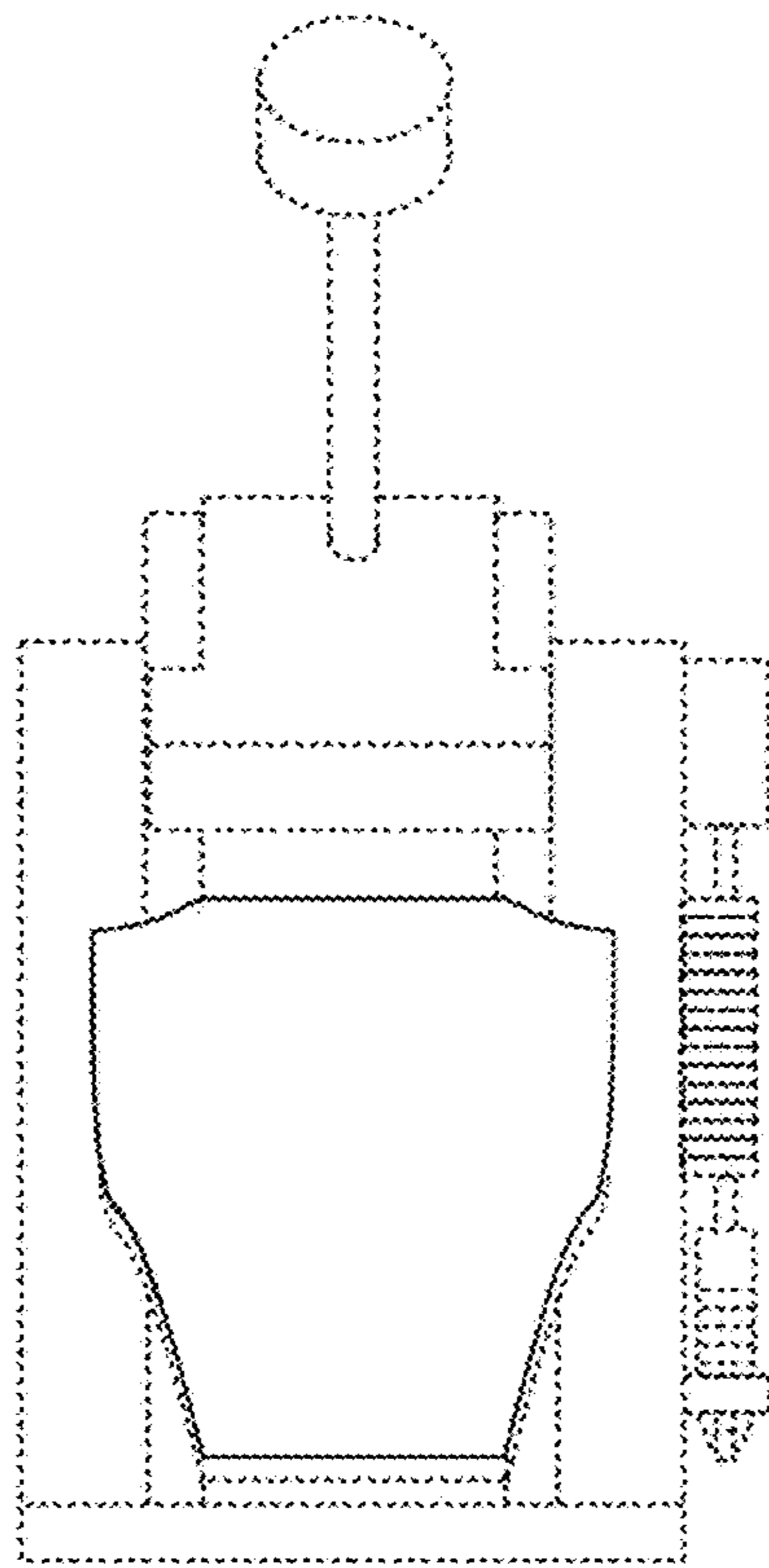


FIG. 6