



US00D836709S

(12) **United States Design Patent** (10) **Patent No.:** **US D836,709 S**  
**Cacciolo, Jr.** (45) **Date of Patent:** **\*\* Dec. 25, 2018**

(54) **DRUMSTICK WITH WEIGHT PORTS**

D724,137 S \* 3/2015 Cacciolo, Jr. .... D17/22  
D802,652 S \* 11/2017 Cooper ..... D17/22

(71) Applicant: **Thino P Cacciolo, Jr.**, Freehold, NJ  
(US)

\* cited by examiner

(72) Inventor: **Thino P Cacciolo, Jr.**, Freehold, NJ  
(US)

*Primary Examiner* — Sheryl Lane  
*Assistant Examiner* — Samantha N Wood

(\*\*) Term: **15 Years**

(57) **CLAIM**

The ornamental design for a drumstick with weight ports, as shown and described.

(21) Appl. No.: **29/590,117**

**DESCRIPTION**

(22) Filed: **Jan. 6, 2017**

**Related U.S. Application Data**

(63) Continuation of application No. 15/070,421, filed on Mar. 15, 2016, now abandoned, which is a continuation of application No. 14/629,720, filed on Feb. 24, 2015, now Pat. No. 9,318,083, which is a continuation-in-part of application No. PCT/US2014/043355, filed on Jun. 20, 2014.

FIG. 1 is a perspective view of a drumstick with weight ports;  
FIG. 2 is a front view thereof;  
FIG. 3 is a rear view thereof;  
FIG. 4 is a right view thereof;  
FIG. 5 is a left view thereof;  
FIG. 6 is a top view thereof;  
FIG. 7 is a bottom view thereof;  
FIG. 8 is a lateral view thereof;  
FIG. 9 is a lateral view thereof, rotated 45 degrees from the position in FIG. 8;  
FIG. 10 is a lateral view thereof, rotated 45 degrees from the position in FIG. 9;  
FIG. 11 is a lateral view thereof, rotated 45 degrees from the position in FIG. 10;  
FIG. 12 is a lateral view thereof, rotated 45 degrees from the position in FIG. 11;  
FIG. 13 is a lateral view thereof, rotated 45 degrees from the position in FIG. 12;  
FIG. 14 is a lateral view thereof, rotated 45 degrees from the position in FIG. 13;  
FIG. 15 is a lateral view thereof, rotated 45 degrees from the position in FIG. 14;  
FIG. 16 is a perspective view thereof, depicting weights positioned about the weight ports; and,  
FIG. 17 is a perspective view thereof, depicting the weights positioned within the weight ports.  
The broken lines are included for the purpose of illustrating the environmental structure and form no part of the claimed design.

(51) **LOC (11) Cl.** ..... **17-04**

(52) **U.S. Cl.**  
USPC ..... **D17/22**

(58) **Field of Classification Search**  
USPC ..... D17/22, 23, 24, 99; D8/10, 107, 300;  
D19/101, 115, 137, 150; D21/400, 402,  
D21/458, 725  
CPC .... G10D 13/00; G10D 13/003; G10D 13/006;  
G10D 13/02; G10D 13/027; G10D  
13/029

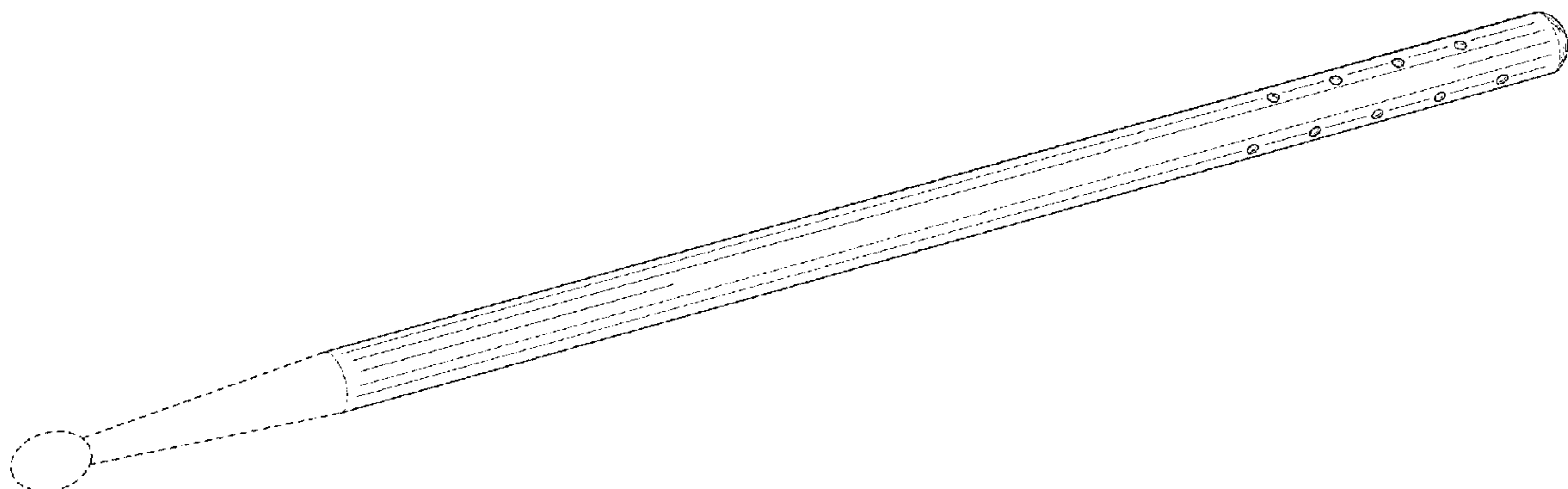
See application file for complete search history.

(56) **References Cited**

**U.S. PATENT DOCUMENTS**

2,521,336 A \* 9/1950 Bramson ..... G10D 13/003  
482/93  
D392,527 S \* 3/1998 Cortes ..... D8/107  
D644,908 S \* 9/2011 Blanchard ..... D8/107

**1 Claim, 17 Drawing Sheets**



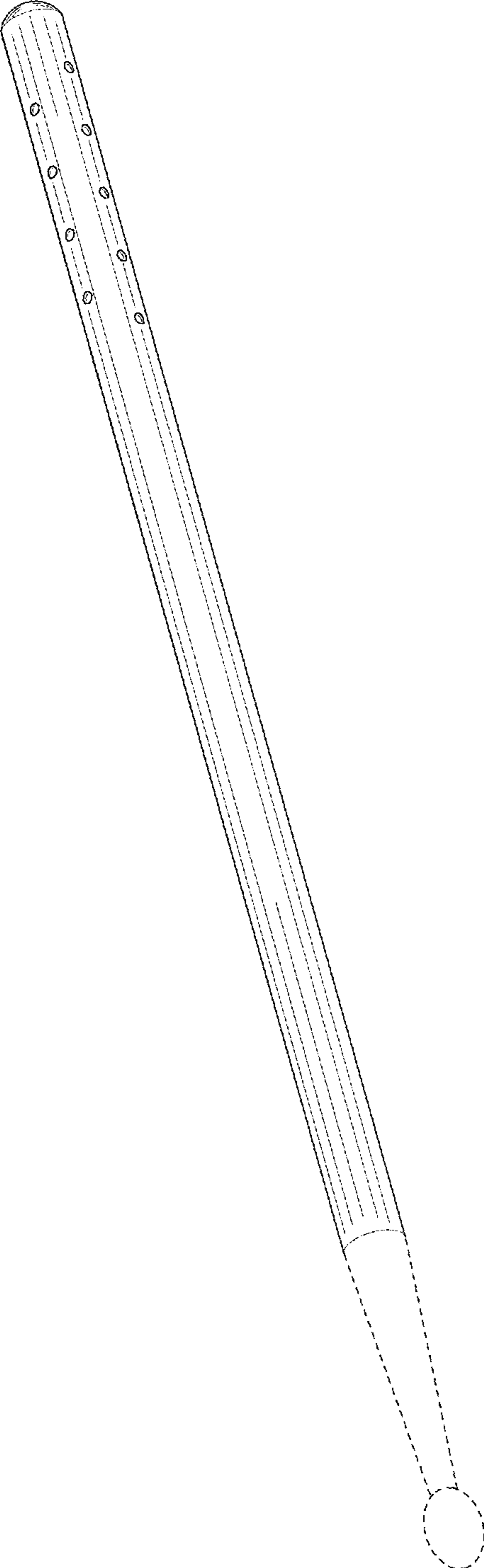


FIG. 1



FIG. 2

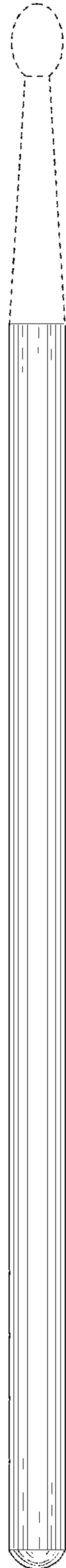


FIG. 3

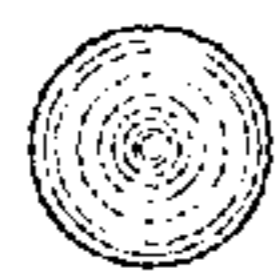


FIG. 4

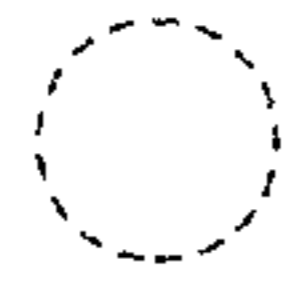


FIG. 5

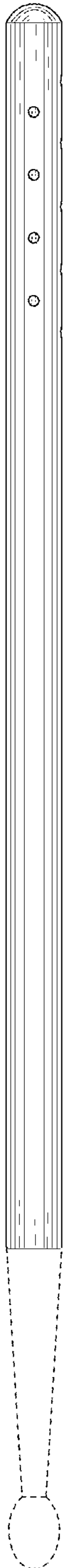


FIG. 6

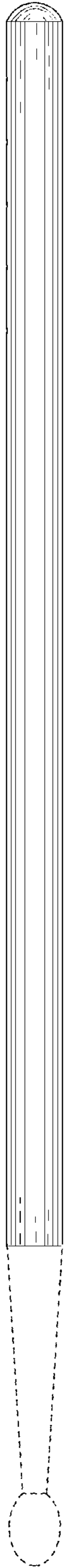


FIG. 7



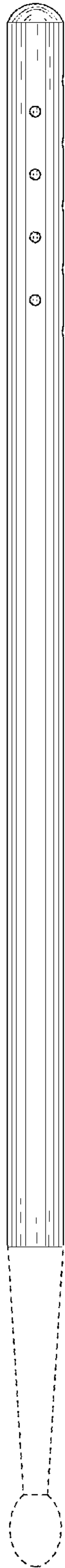


FIG. 8

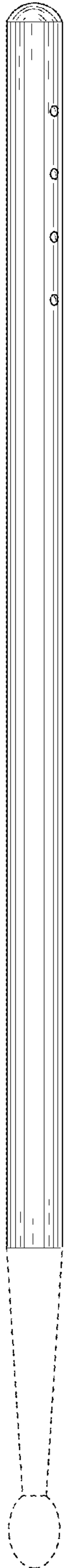


FIG. 9

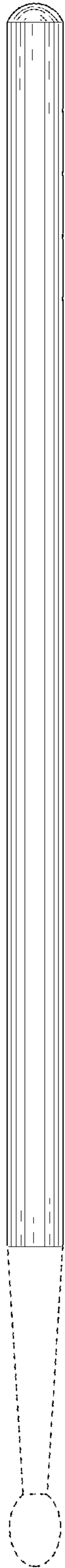


FIG. 10

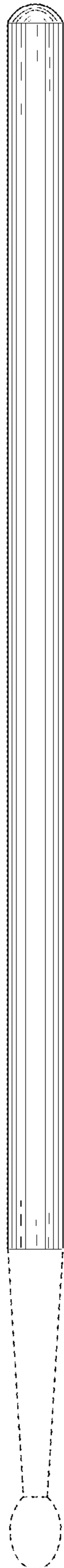


FIG. 11

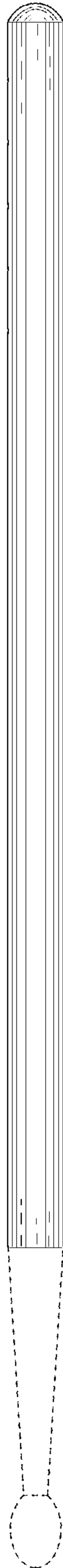


FIG. 12

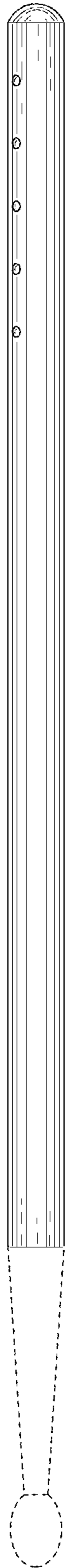


FIG. 13

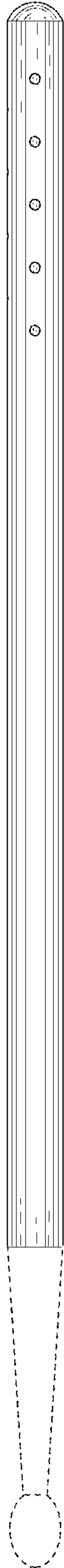


FIG. 14

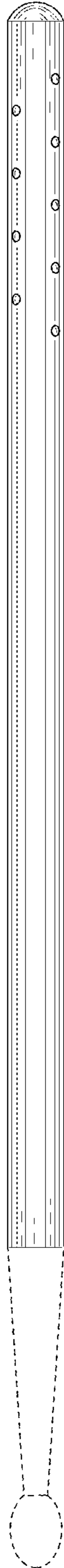


FIG. 15



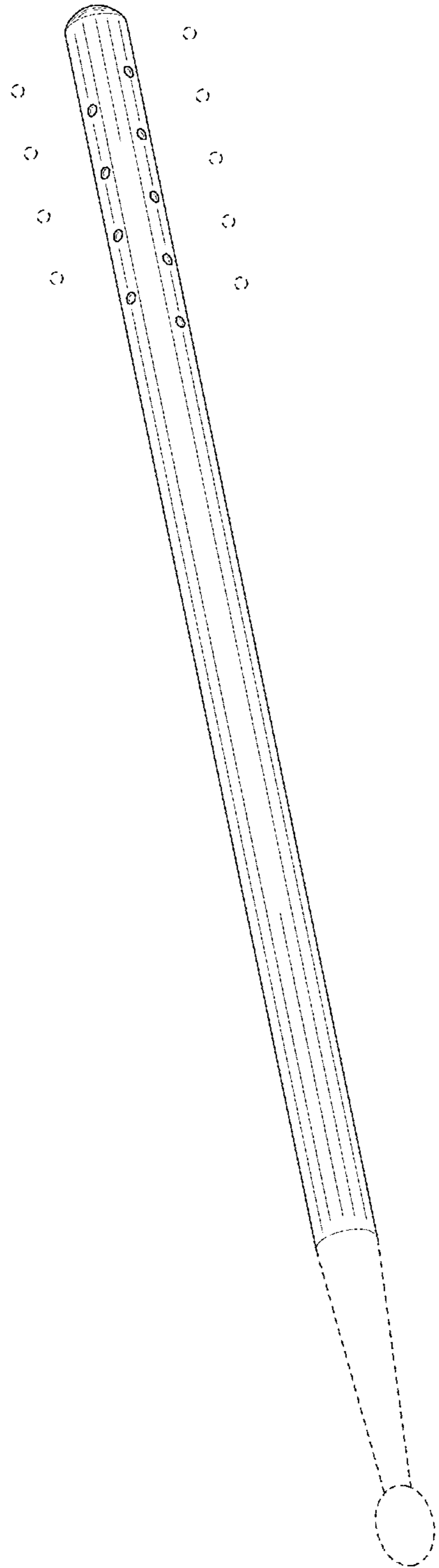


FIG. 16

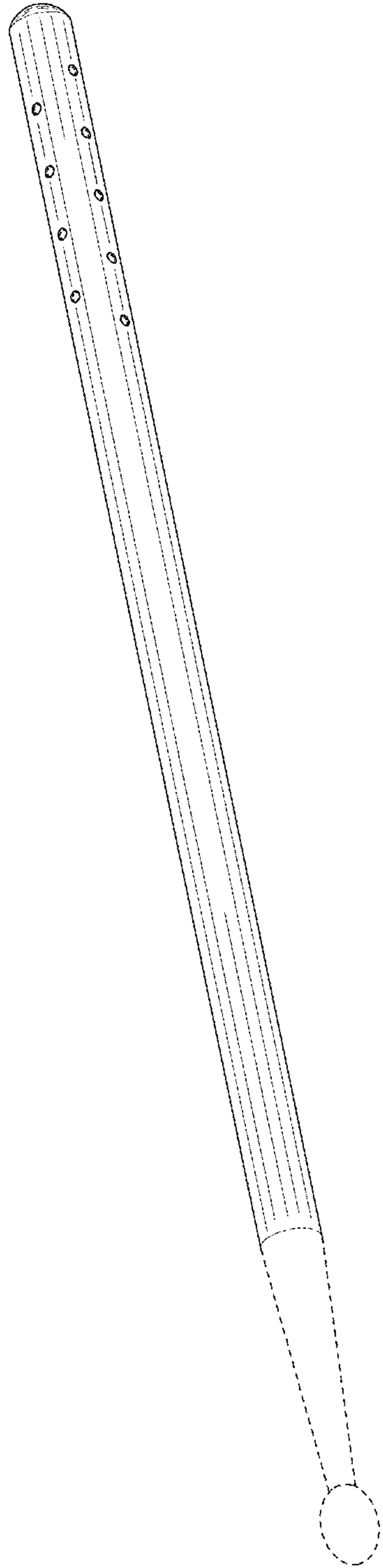


FIG. 17