

US00D836701S

(12) **United States Design Patent**
Burch, V et al.

(10) **Patent No.:** **US D836,701 S**

(45) **Date of Patent:** **** Dec. 25, 2018**

- (54) **CAMERA MOUNT HOUSING**
- (71) Applicant: **FEDEX CORPORATE SERVICES, INC.**, Collierville, TN (US)
- (72) Inventors: **Reuben F. Burch, V**, Mississippi State, MS (US); **Howard McKinney**, Bartlett, TN (US); **Matthew Doude**, Starkville, MS (US); **Andrew LeClair**, Starkville, MS (US); **Matthew Bilson**, Starkville, MS (US); **Greggory Alan Morris**, Starkville, MS (US); **Davis Donald Hesler**, Biloxi, MS (US)
- (73) Assignee: **FEDEX CORPORATE SERVICES, INC.**, Collierville, TN (US)

D609,247 S *	2/2010	Naegele	D15/5
D633,529 S *	3/2011	Hamada	D15/7
D701,243 S *	3/2014	Cornett	D15/7
D704,226 S *	5/2014	Lee	D15/5
D726,528 S *	4/2015	McCallum	D8/382
D737,861 S *	9/2015	He	D15/5
D739,440 S *	9/2015	Cornett	D15/7
D743,475 S *	11/2015	Cover	D16/203
D746,352 S *	12/2015	Ryterski	D16/219
9,518,571 B2 *	12/2016	Yamaoka	F04B 35/04
D782,561 S *	3/2017	Worthington	D16/237

* cited by examiner

Primary Examiner — Philip S Hyder

Assistant Examiner — Cary M Robinson

(74) *Attorney, Agent, or Firm* — Withers & Keys, LLC

(**) Term: **15 Years**

(21) Appl. No.: **29/577,401**

(22) Filed: **Sep. 13, 2016**

(51) **LOC (11) Cl.** **16-05**

(52) **U.S. Cl.**
USPC **D16/242**

(58) **Field of Classification Search**
 USPC D16/214, 219, 235, 237, 242–245, 250;
 D14/217, 251, 253, 453; D8/354–356,
 D8/364, 381, 394–395
 CPC G03B 17/14; G03B 17/56; G03B
 17/561–17/568; G03B 15/041–15/0436;
 G02B 7/00–7/002; G02B 7/02–7/04;
 F16M 11/02; F16M 11/04; F16M 11/20;
 F16M 11/40

See application file for complete search history.

(56) **References Cited**

U.S. PATENT DOCUMENTS

D399,212 S *	10/1998	Roderweiss	D15/5
D515,590 S *	2/2006	Freitas	D15/7

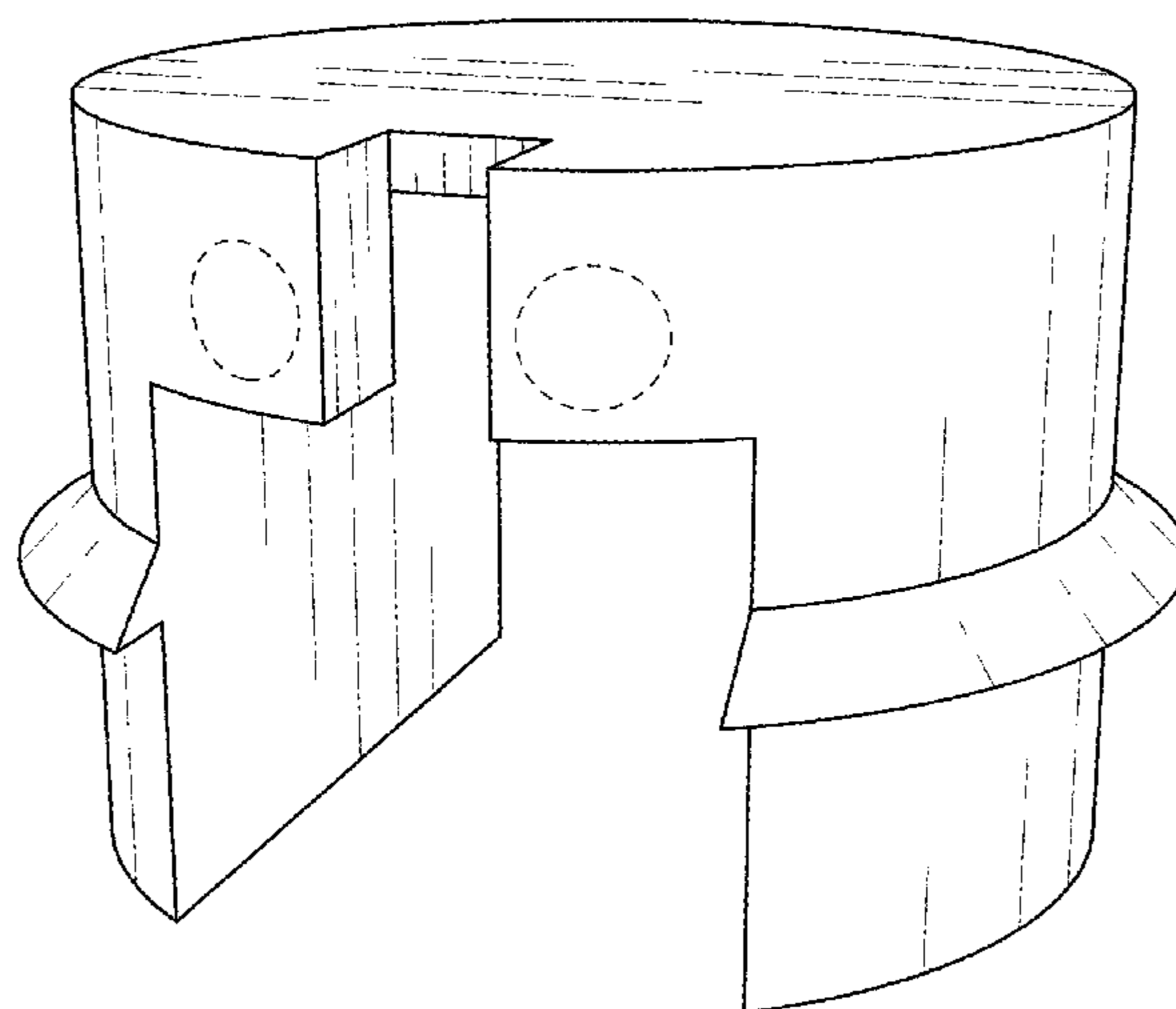
(57) **CLAIM**

The ornamental design for camera mount housing, as shown and described.

DESCRIPTION

FIG. 1 is a perspective view of a camera mount housing showing our new design;
 FIG. 2 is a side view thereof as viewed from the left-hand side of the camera mount housing shown in FIG. 1;
 FIG. 3 is a side view thereof as viewed from the right-hand side of the camera mount housing shown in FIG. 1;
 FIG. 4 is a rear view of the camera mount housing shown in FIG. 1;
 FIG. 5 is a frontal view of the camera mount housing tor shown in FIG. 1;
 FIG. 6 is a top view thereof; and,
 FIG. 7 is a bottom view thereof.
 The broken lines shown in the drawings illustrate portions of the camera mount housing that forms no part of the claimed design.

1 Claim, 7 Drawing Sheets



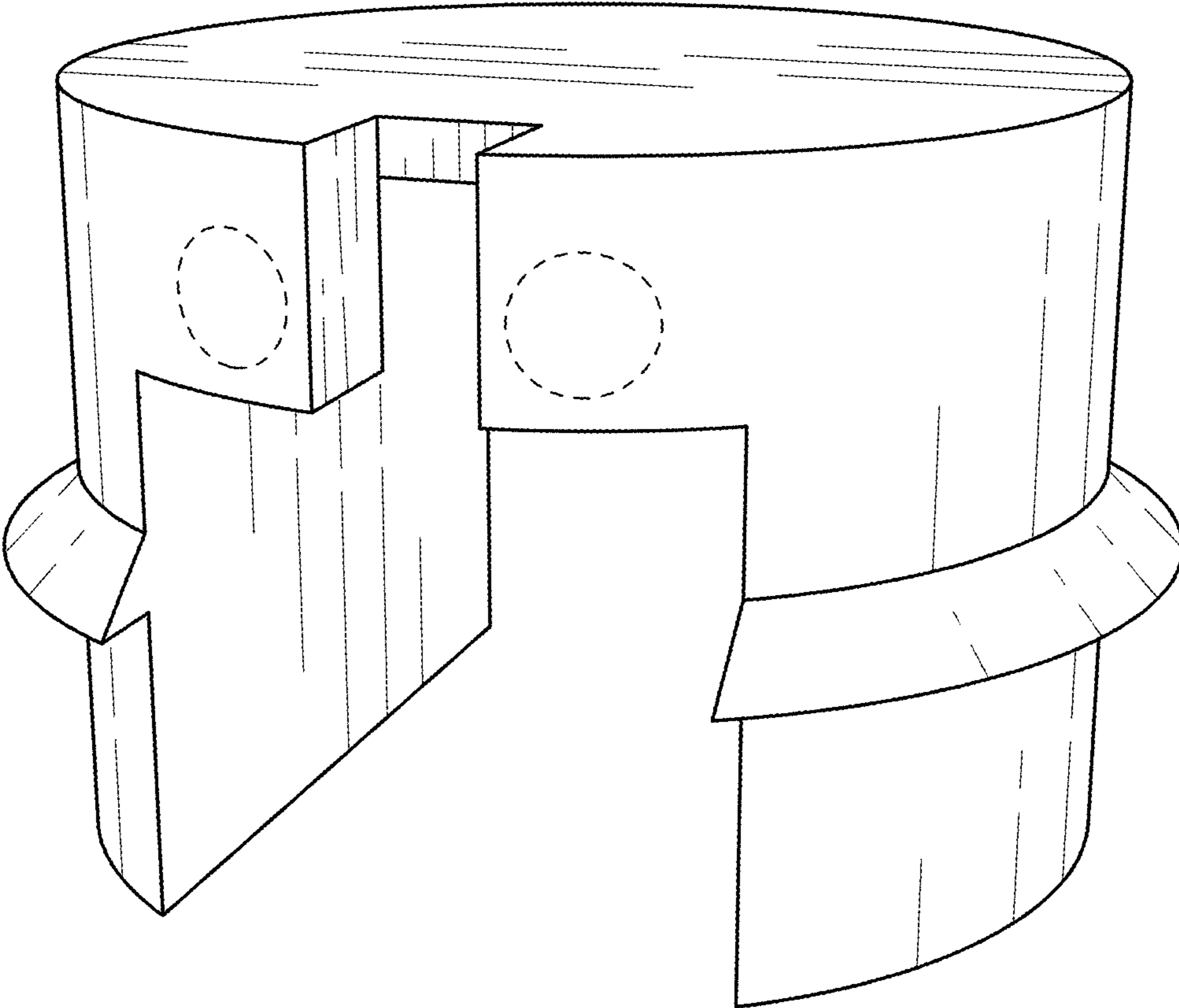


FIG. 1

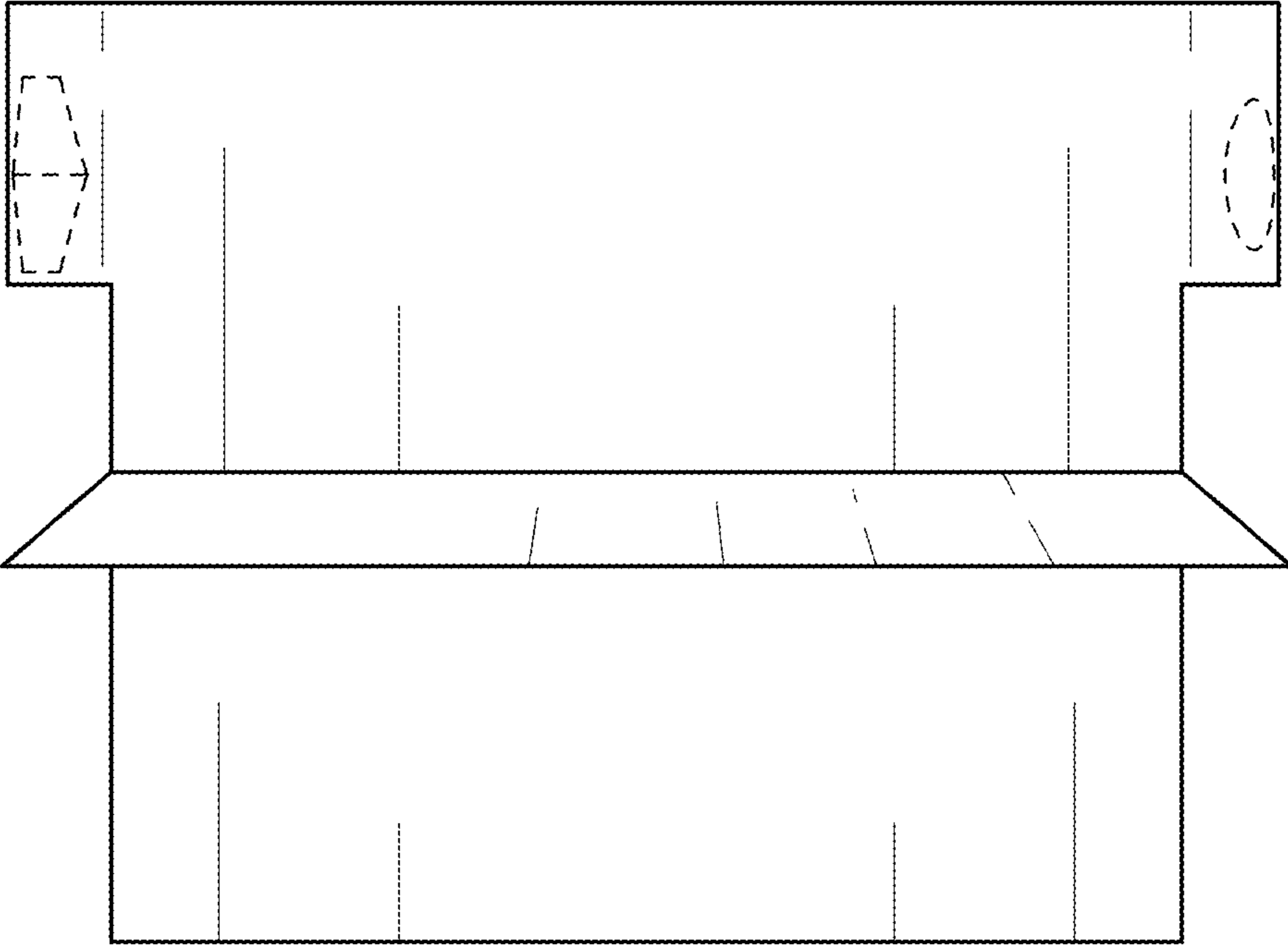


FIG. 2

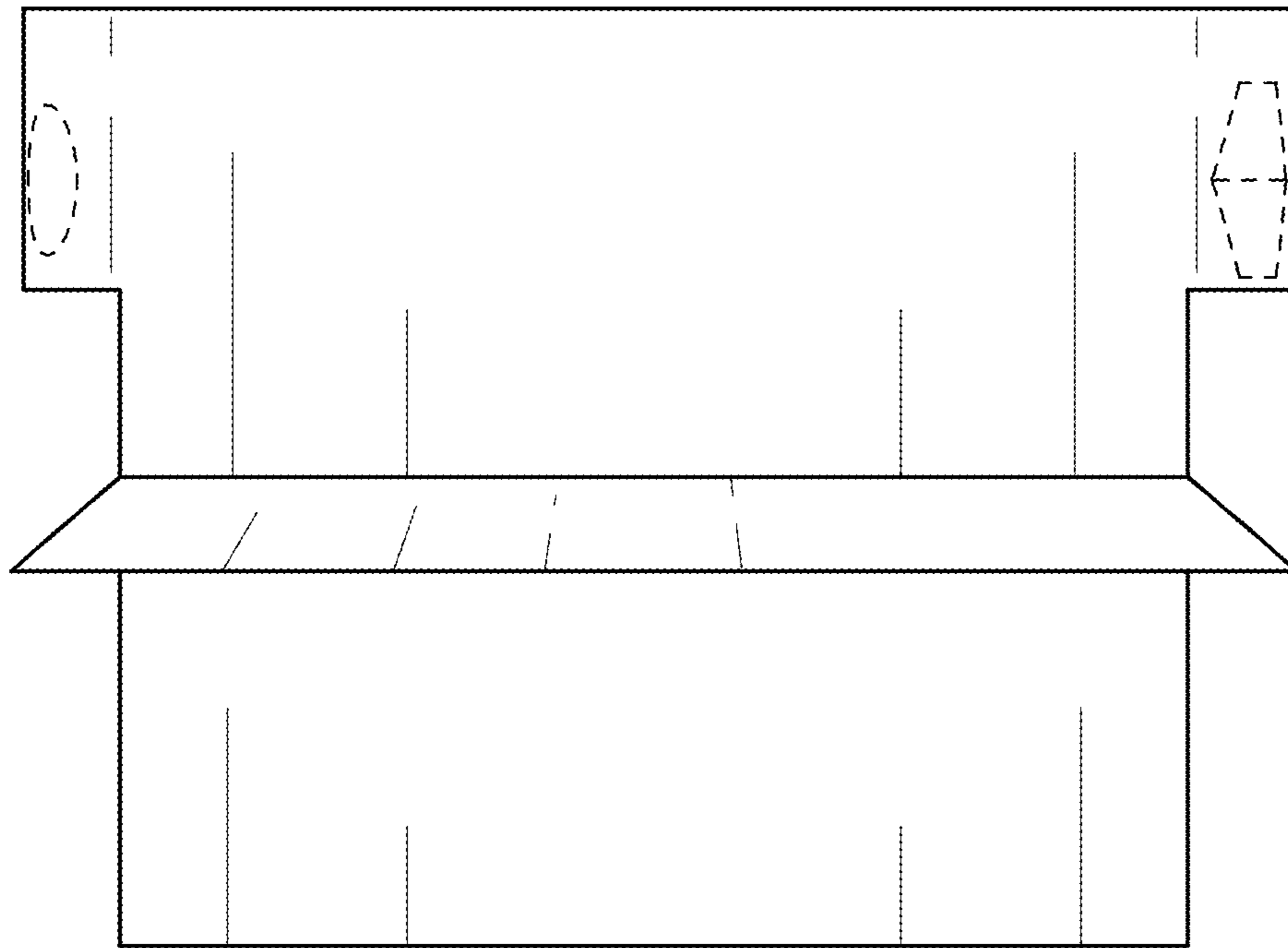


FIG. 3

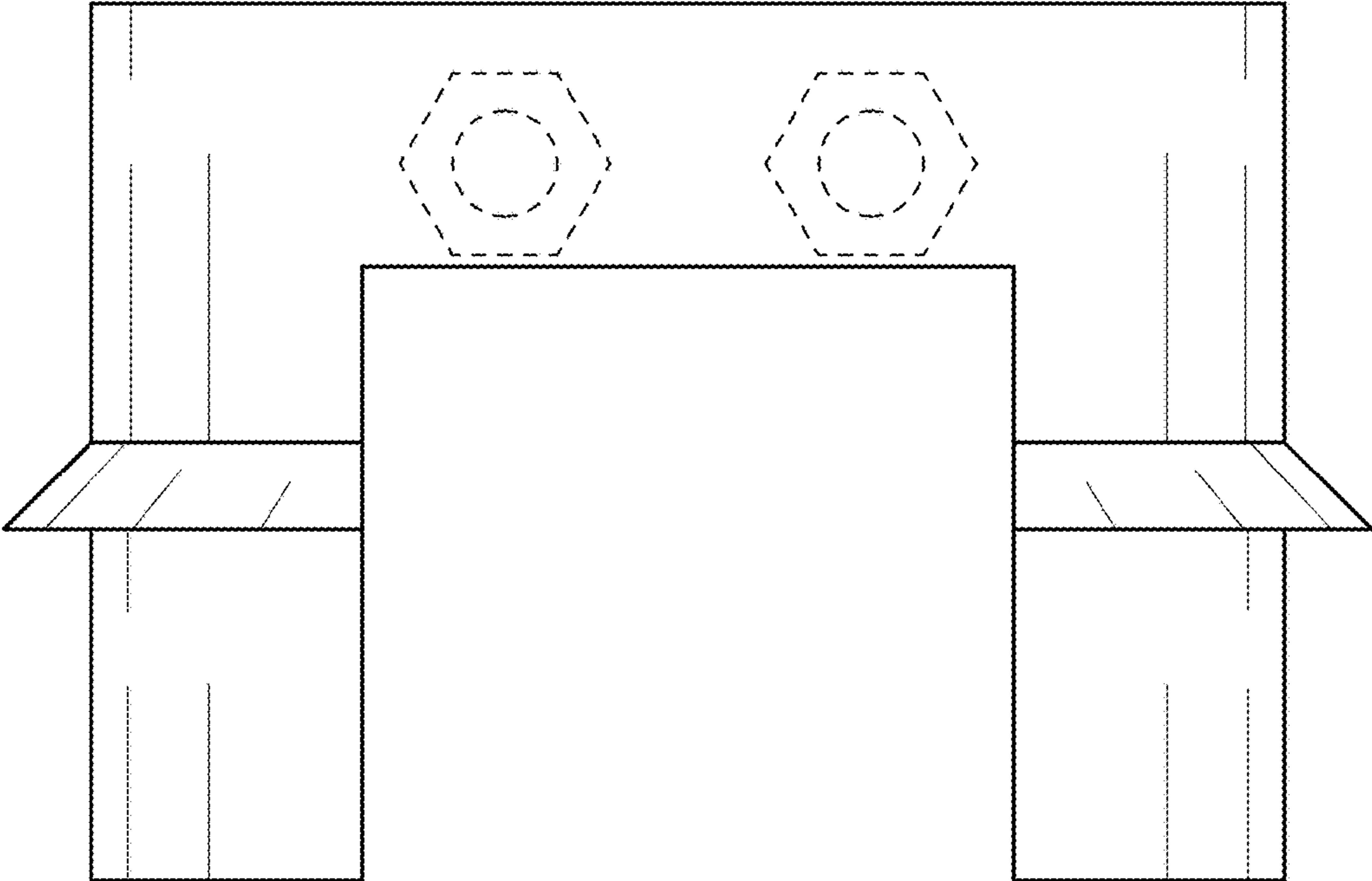


FIG. 4

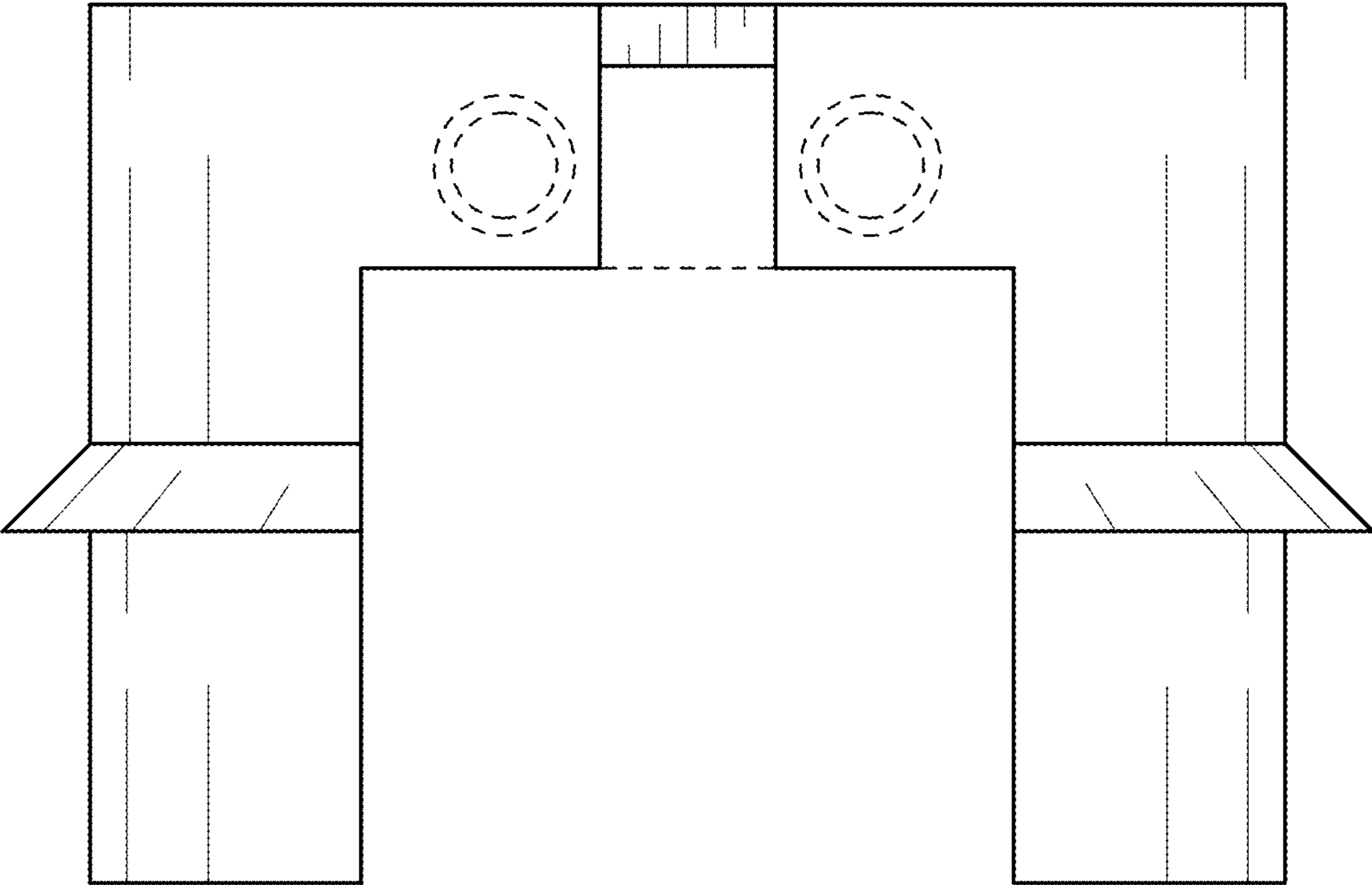


FIG. 5

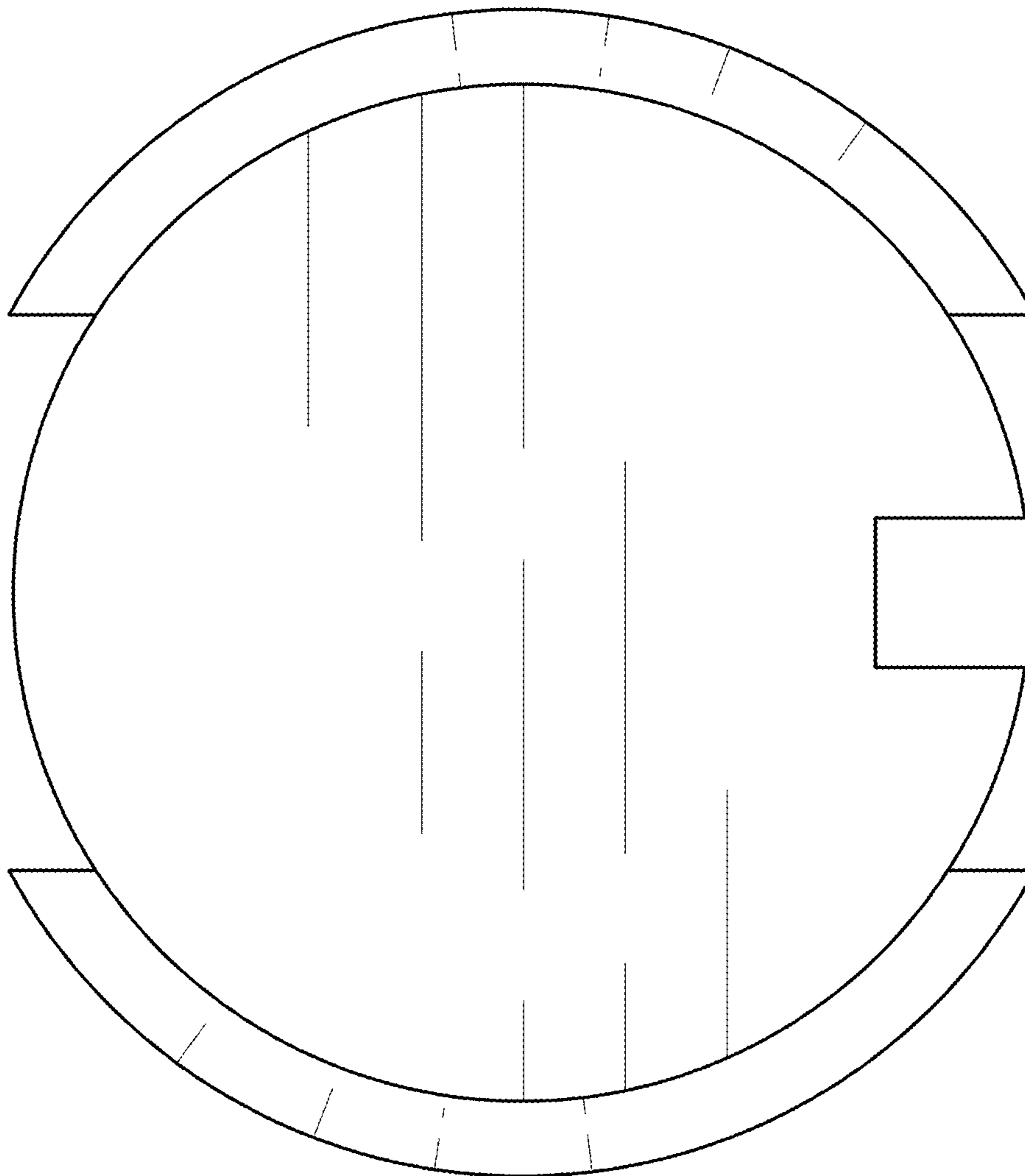


FIG. 6

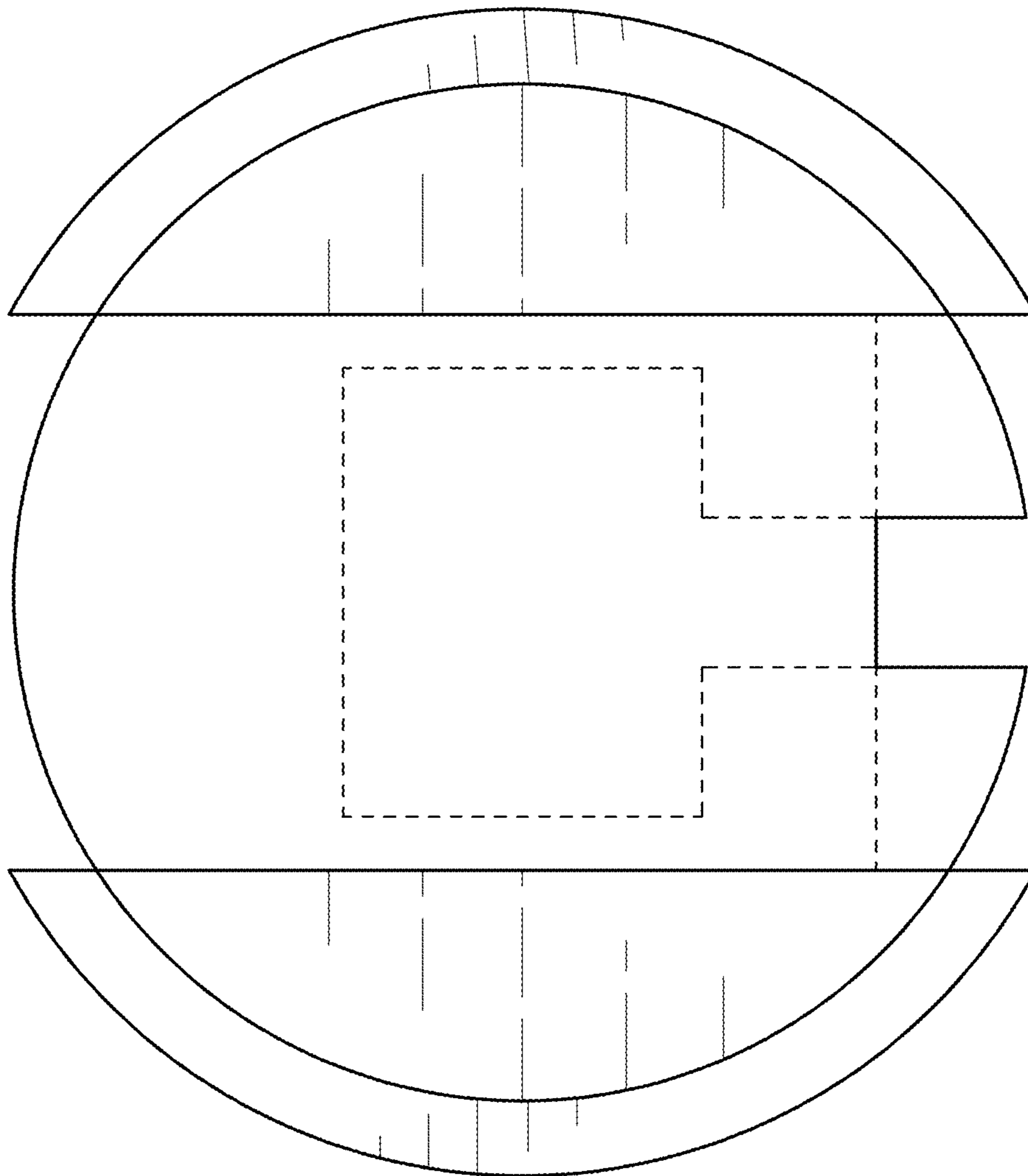


FIG. 7