

US00D836700S

(12) **United States Design Patent** (10) **Patent No.:** **US D836,700 S**  
**Nohara** (45) **Date of Patent:** **\*\* Dec. 25, 2018**

(54) **CAMERA STROBE**  
(71) Applicant: **OLYMPUS CORPORATION**,  
Hachioji-shi, Tokyo (JP)  
(72) Inventor: **Takeshi Nohara**, Hachioji (JP)  
(73) Assignee: **OLYMPUS CORPORATION**, Tokyo  
(JP)  
(\*\*) Term: **15 Years**  
(21) Appl. No.: **29/583,088**  
(22) Filed: **Nov. 2, 2016**

4,816,854 A 3/1989 Tsuji et al.  
D342,753 S 12/1993 Haga  
5,565,941 A 10/1996 Kaneko  
5,794,082 A 8/1998 Matsui  
D453,351 S 2/2002 Kitera  
D502,488 S 3/2005 Miyashita  
D562,875 S \* 2/2008 Kitera ..... D16/239  
D577,053 S \* 9/2008 Watanabe ..... D16/239  
D689,538 S 9/2013 Sato  
D695,815 S \* 12/2013 Takahashi ..... D16/240  
D696,711 S \* 12/2013 Takahashi ..... D16/240  
D697,544 S \* 1/2014 Jang ..... D16/240  
D701,553 S 3/2014 Oh  
D703,723 S 4/2014 Soejima

(Continued)

(30) **Foreign Application Priority Data**  
Aug. 9, 2016 (JP) ..... 2016-017086  
(51) **LOC (11) Cl.** ..... **16-01**  
(52) **U.S. Cl.**  
USPC ..... **D16/219**  
(58) **Field of Classification Search**  
USPC ..... D16/200, 202-205, 218, 219, 237-240,  
D16/250; 348/373-376; 362/4, 16-18;  
396/4, 61, 155, 544, 535, 539-541  
CPC ..... G03B 17/02; G03B 19/04; G03B 17/56;  
G03B 17/04; G03B 15/03; G03B 17/14;  
H04N 5/2251; H04N 5/2252; H04N  
5/2253; H04N 5/2254; G02B 7/02; G02B  
7/04; G02B 7/14  
See application file for complete search history.

(56) **References Cited**  
**U.S. PATENT DOCUMENTS**  
D241,273 S 8/1976 Okuno et al.  
4,190,880 A \* 2/1980 Esaki ..... G03B 15/05  
362/16  
D263,720 S 4/1982 Takematsu  
D271,210 S 11/1983 Shull  
D271,306 S \* 11/1983 Shull ..... D16/240  
D283,331 S \* 4/1986 Hattori ..... D16/240

**OTHER PUBLICATIONS**

Related U.S. Appl. No. 29/583,082; First Named Inventor: Takeshi Nohara; Title: "Camera Strobe"; filed Nov. 2, 2016.

*Primary Examiner* — Philip S Hyder  
*Assistant Examiner* — Ramzi S Almatrahi  
(74) *Attorney, Agent, or Firm* — Holtz, Holtz & Volek PC

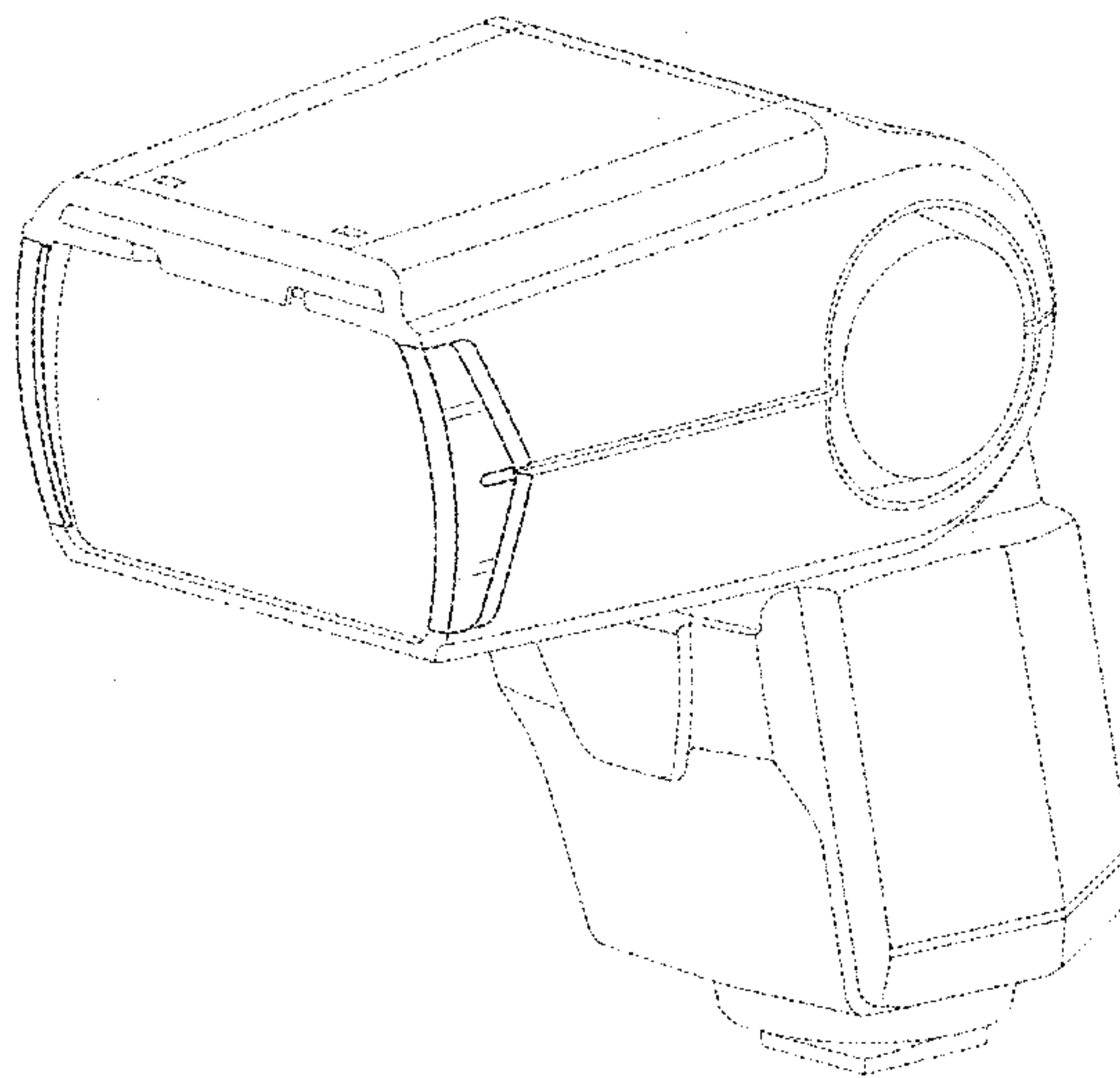
(57) **CLAIM**

The ornamental design for a camera strobe, as shown and described.

**DESCRIPTION**

FIG. 1 is a front, top and right side perspective view of a camera strobe showing my new design; FIG. 2 is a front elevational view thereof; FIG. 3 is a rear elevational view thereof; FIG. 4 is a top plan view thereof; FIG. 5 is a bottom plan view thereof; FIG. 6 is a right side elevational view thereof; and, FIG. 7 is a left side elevational view thereof. The broken lines depict portions of the camera strobe in which the design is embodied that form no part of the claimed design.

**1 Claim, 7 Drawing Sheets**



(56)

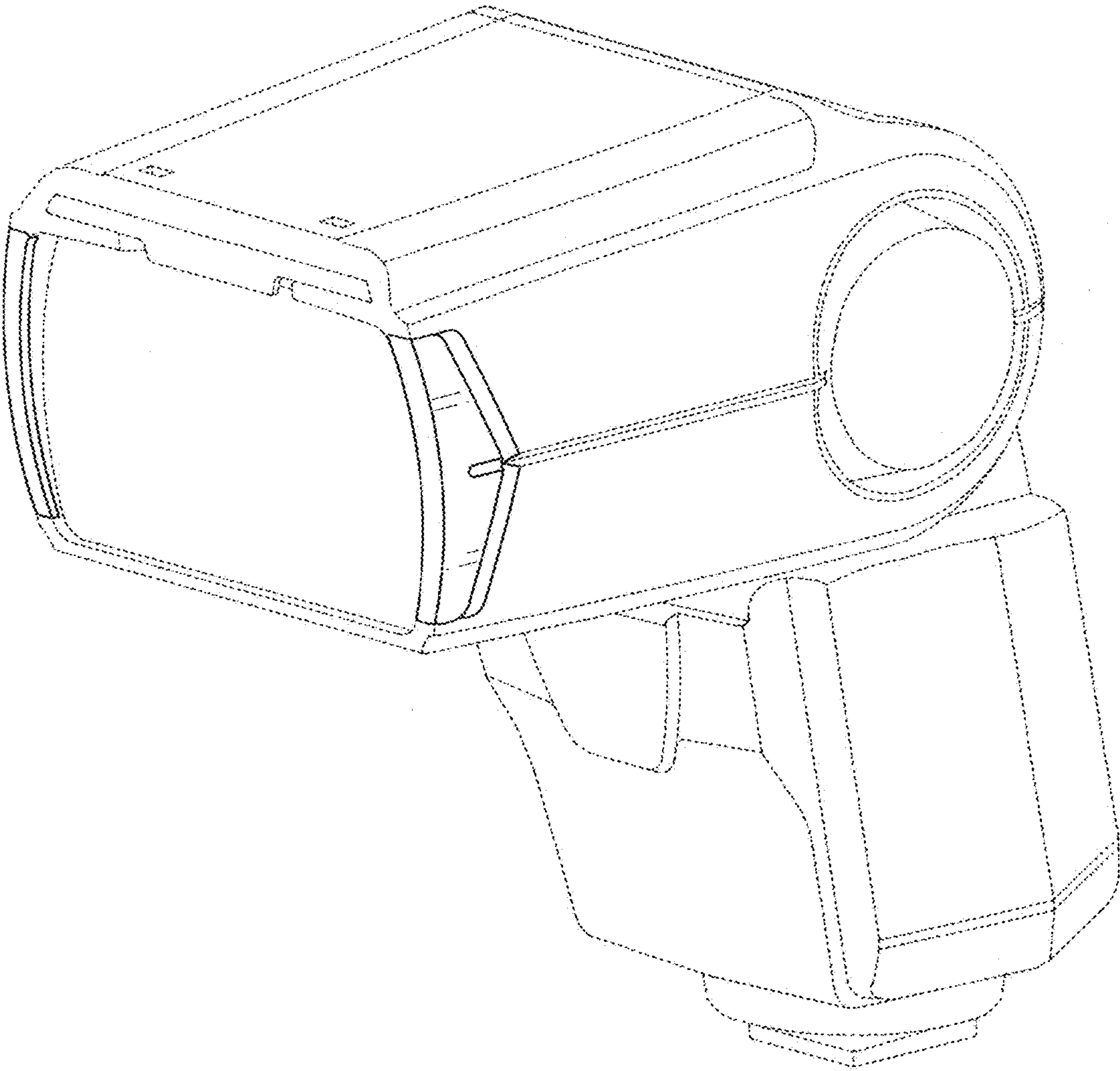
**References Cited**

U.S. PATENT DOCUMENTS

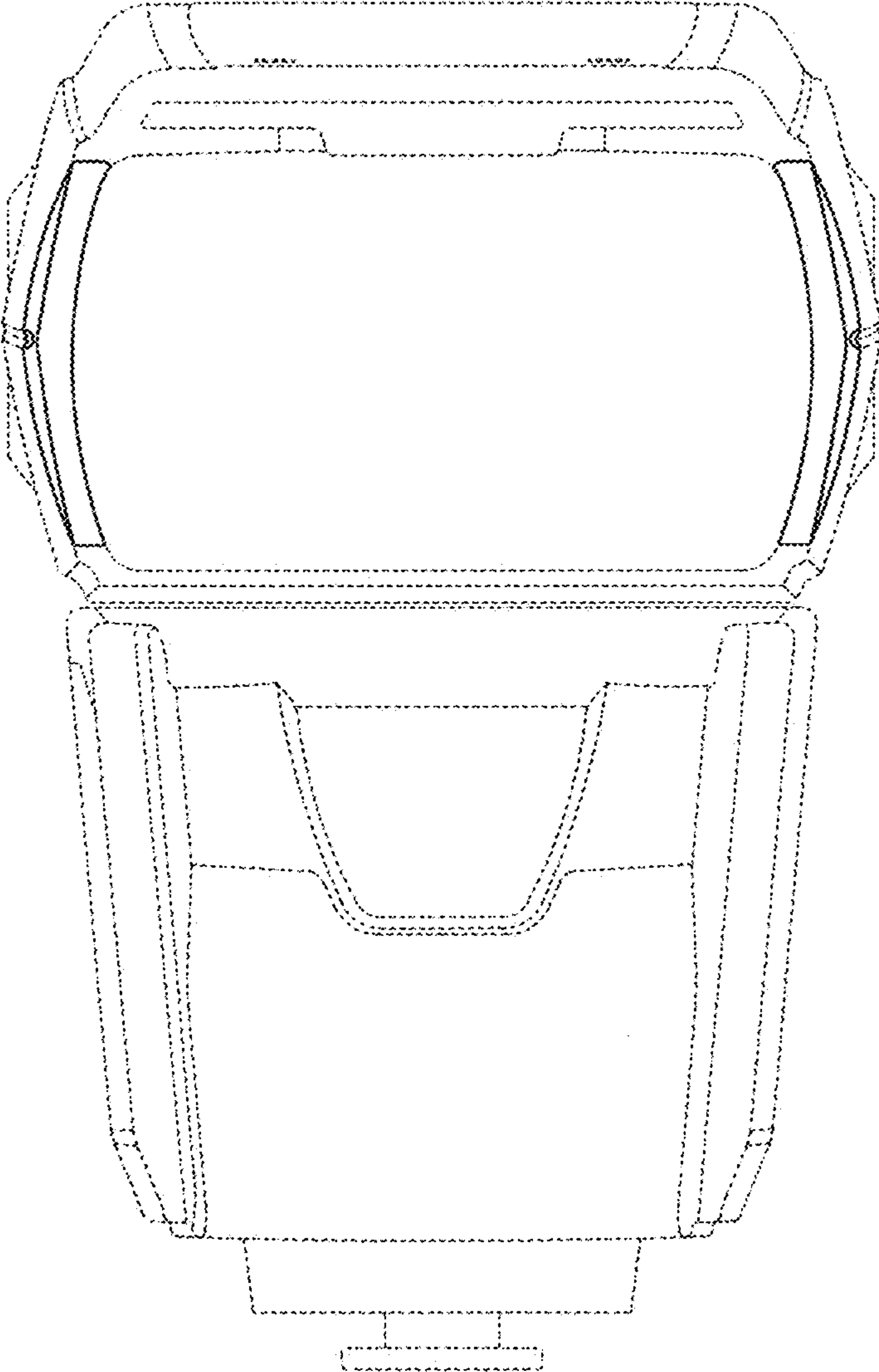
D708,251 S	*	7/2014	Chen .....	D16/240
D714,375 S	*	9/2014	Ozone .....	D16/239
D741,395 S		10/2015	Oh	
D789,438 S	*	6/2017	Kim .....	D14/218

\* cited by examiner

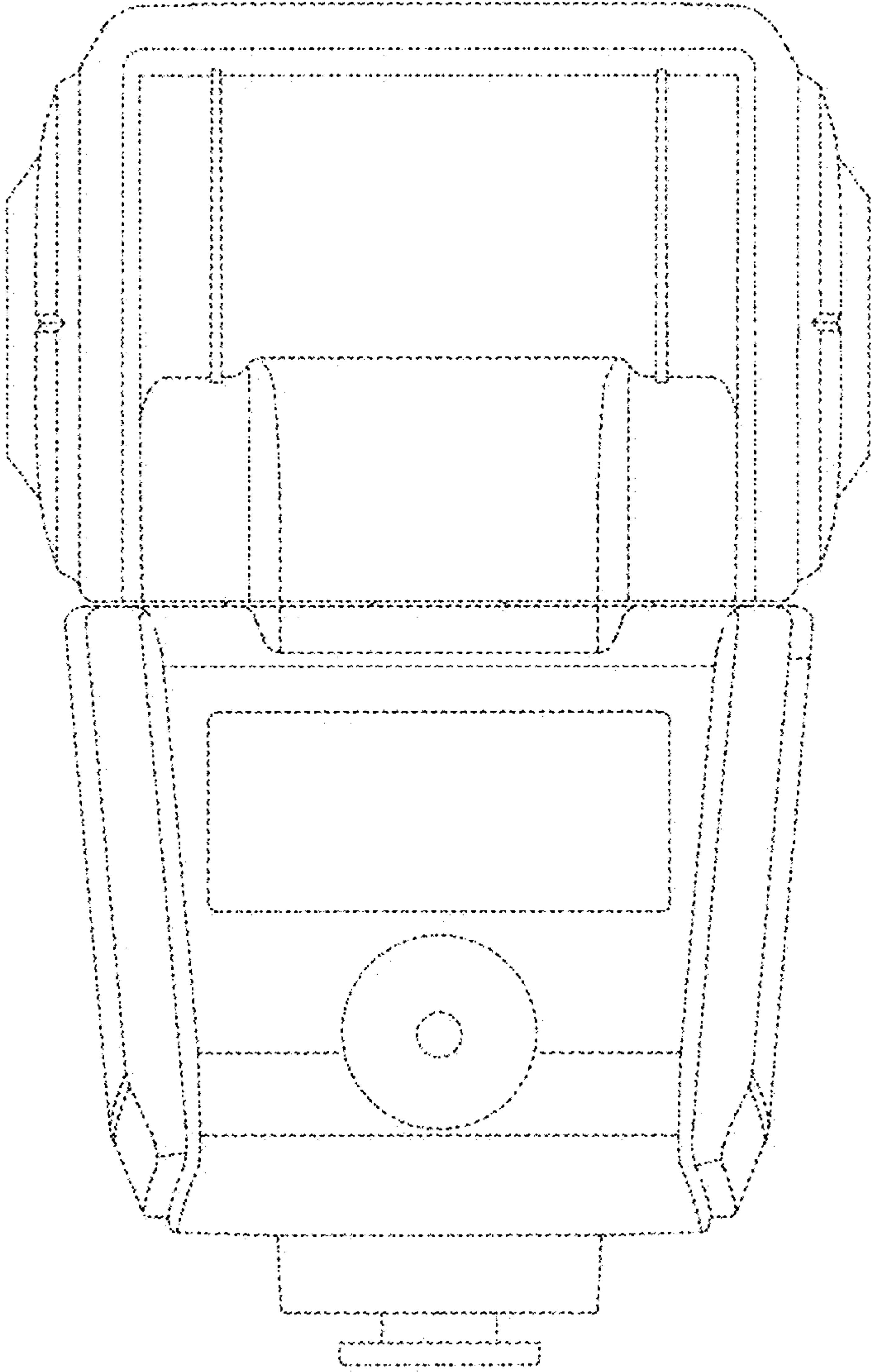
FIG.1



**FIG.2**

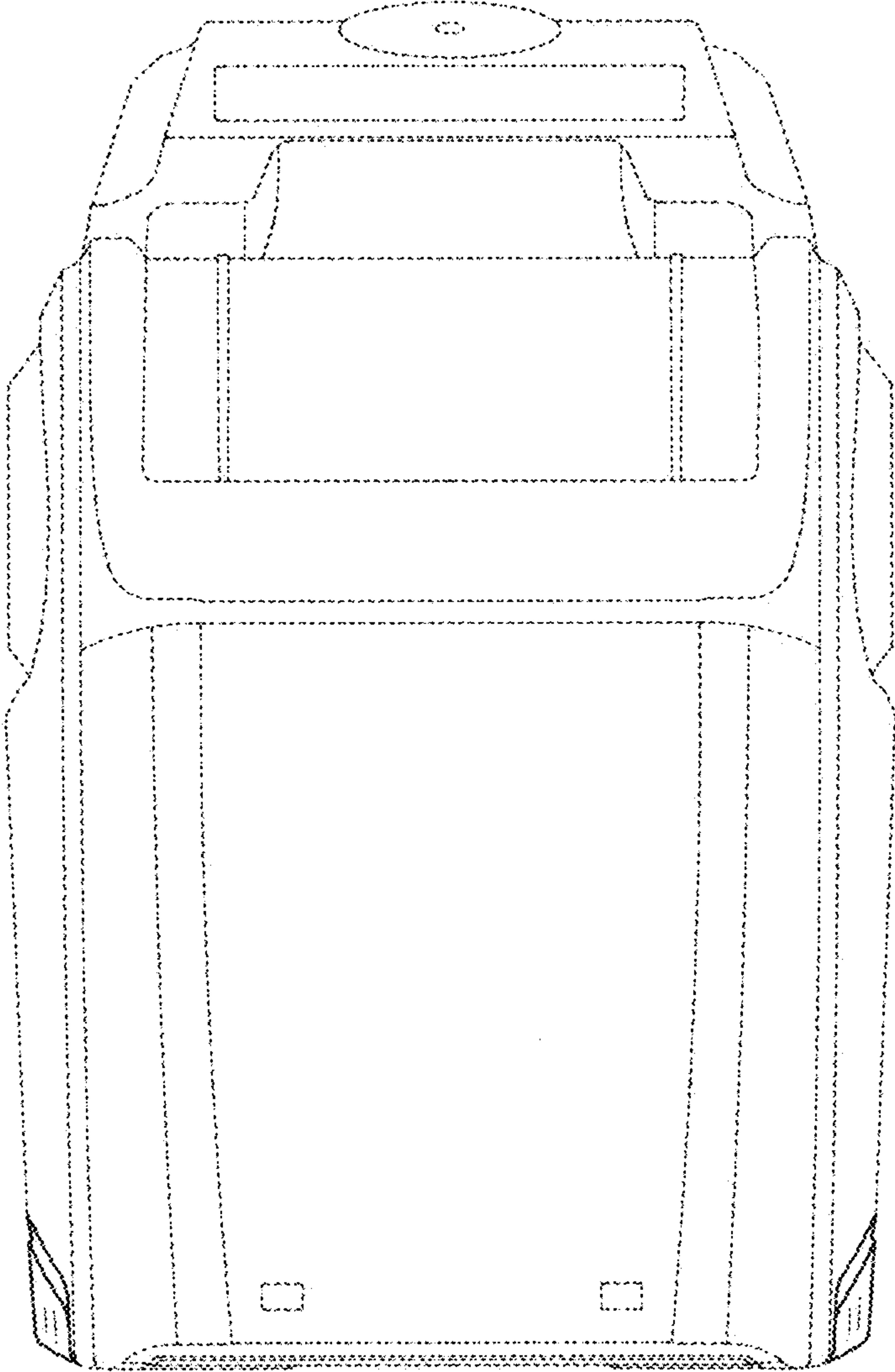


**FIG.3**

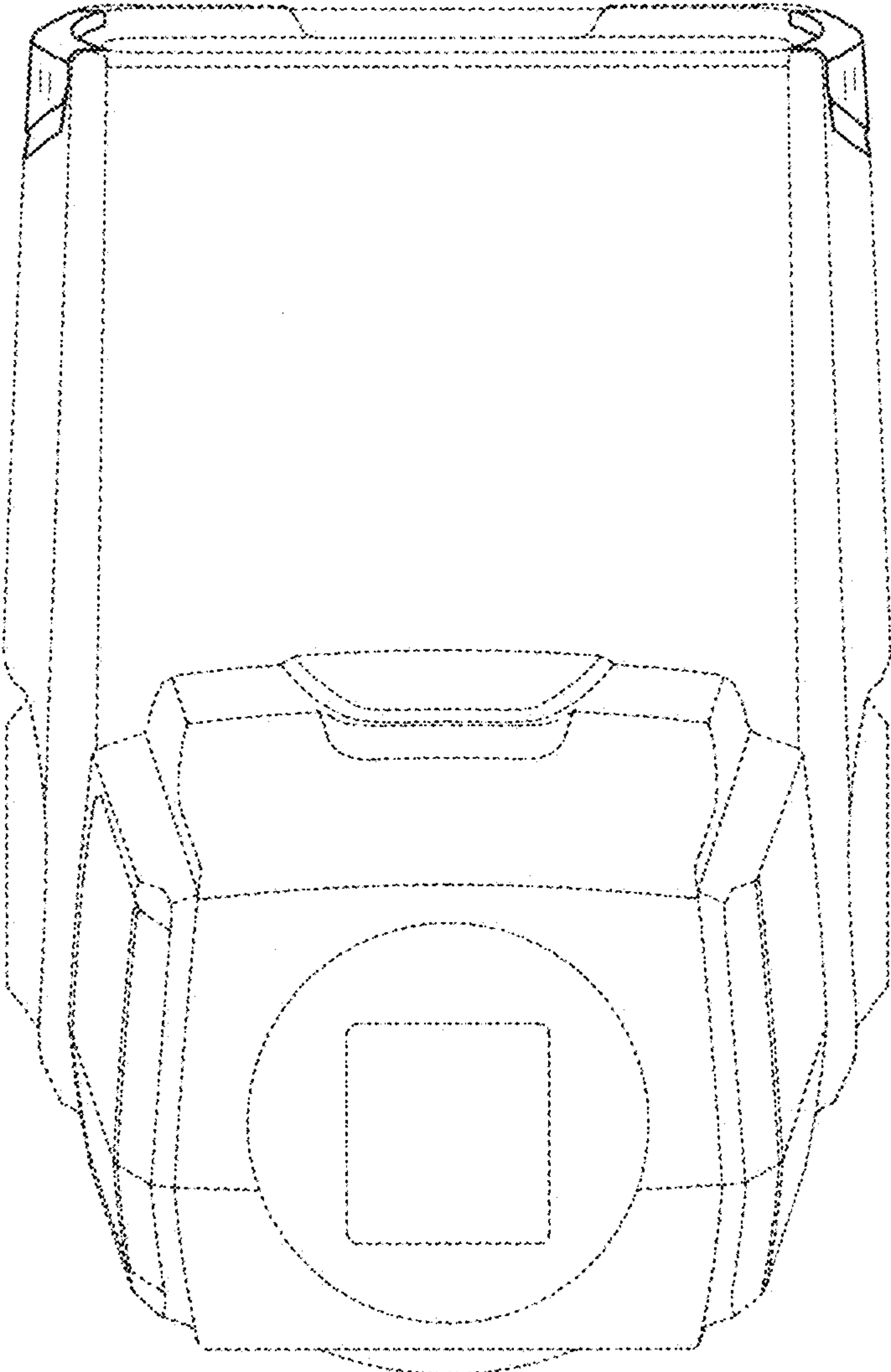




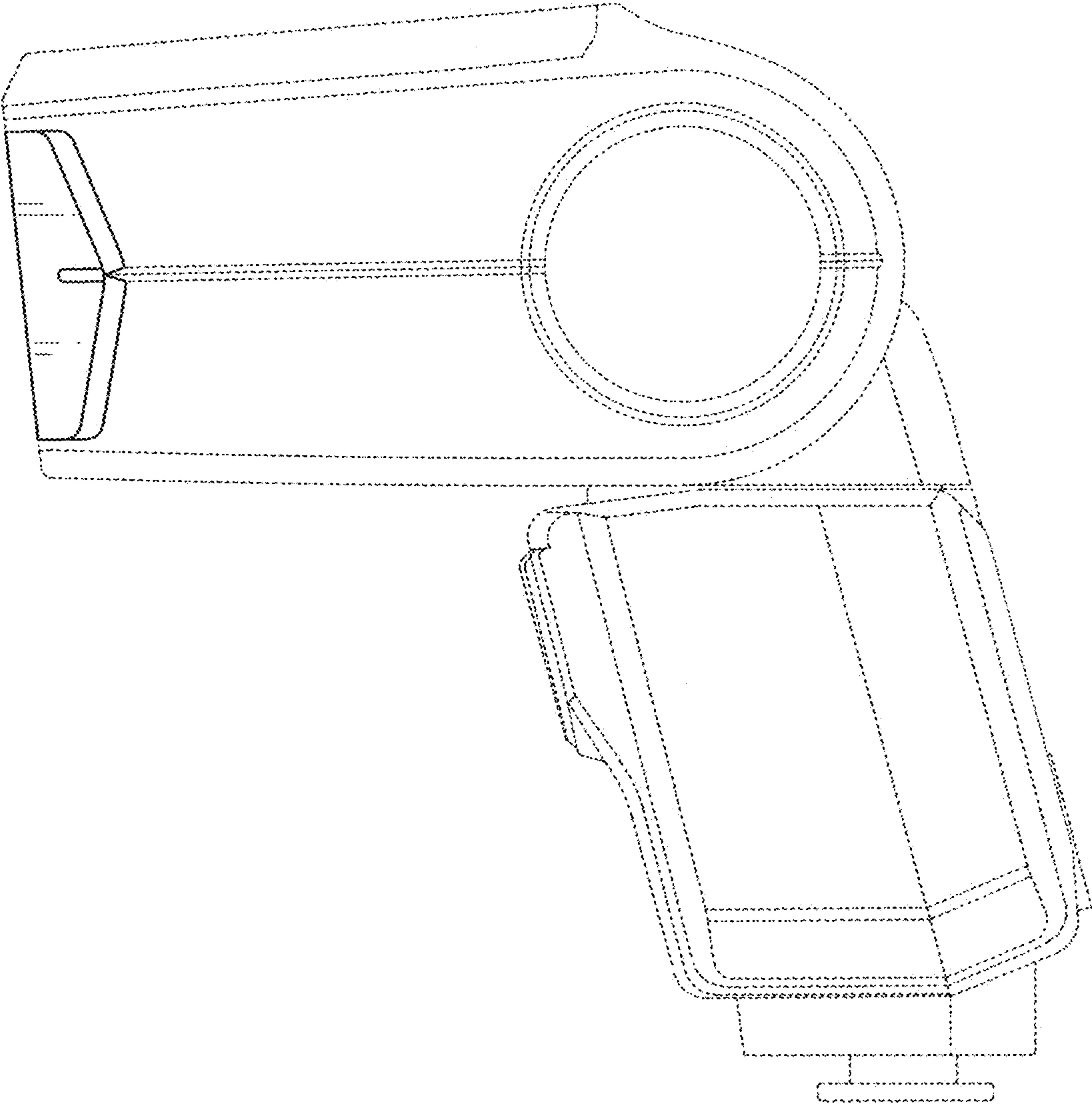
**FIG.4**



**FIG.5**



**FIG. 6**





**FIG.7**

