



US00D836699S

(12) **United States Design Patent**
Kim et al.

(10) **Patent No.:** **US D836,699 S**
(45) **Date of Patent:** **** Dec. 25, 2018**

- (54) **CAMERA WITH HANDLE**
- (71) Applicant: **SZ DJI Osmo Technology Co., Ltd.**,
Shenzhen (CN)
- (72) Inventors: **Min Kim**, Shenzhen (CN); **Haibin Zheng**, Shenzhen (CN)
- (73) Assignee: **SZ DJI Osmo Technology Co., Ltd.**,
Shenzhen (CN)

- D590,867 S 4/2009 Schenone et al.
- D649,175 S 11/2011 Willis
- 8,274,273 B2 9/2012 Nguyen et al.
- D694,802 S 12/2013 Coyle et al.
- 8,770,539 B1 7/2014 Hsu
- D710,424 S 8/2014 Hällgren
- D723,605 S 3/2015 Palm
- D732,601 S 6/2015 Coyle et al.
- D738,951 S 9/2015 Coyle et al.
- 9,264,599 B2 2/2016 Reid

(Continued)

(**) Term: **15 Years**

(21) Appl. No.: **29/632,381**

(22) Filed: **Jan. 8, 2018**

Related U.S. Application Data

(63) Continuation of application No. 29/548,624, filed on Dec. 15, 2015, now Pat. No. Des. 810,806.

(51) **LOC (11) Cl.** **16-01**

(52) **U.S. Cl.**
USPC **D16/206**

(58) **Field of Classification Search**
USPC D16/200, 202–206, 208, 211, 214, 218,
D16/219, 237, 242, 244; D14/130, 132,
D14/144; D10/104.1, 104.2, 106.1,
D10/106.2, 106.5; 348/164, 347,
348/373–376; 396/535, 539–541;
250/330, 332

CPC G03B 15/00; G03B 15/03; G03B 17/02;
G03B 17/04; G03B 17/56; G03B 19/04;
H04N 5/2251; H04N 5/2252; H04N
5/2253; H04N 5/2254; H04N 2101/00;
F16M 11/04; F16M 13/00

See application file for complete search history.

(56) **References Cited**

U.S. PATENT DOCUMENTS

- D445,817 S 7/2001 Okuley
- D575,322 S 8/2008 Aiba

FOREIGN PATENT DOCUMENTS

- CN 302290466 1/2013
- CN 302661804 11/2013

(Continued)

Primary Examiner — Philip S Hyder

Assistant Examiner — Ramzi S Almatrahi

(74) *Attorney, Agent, or Firm* — Sterne, Kessler,
Goldstein & Fox P.L.L.C.

(57) **CLAIM**

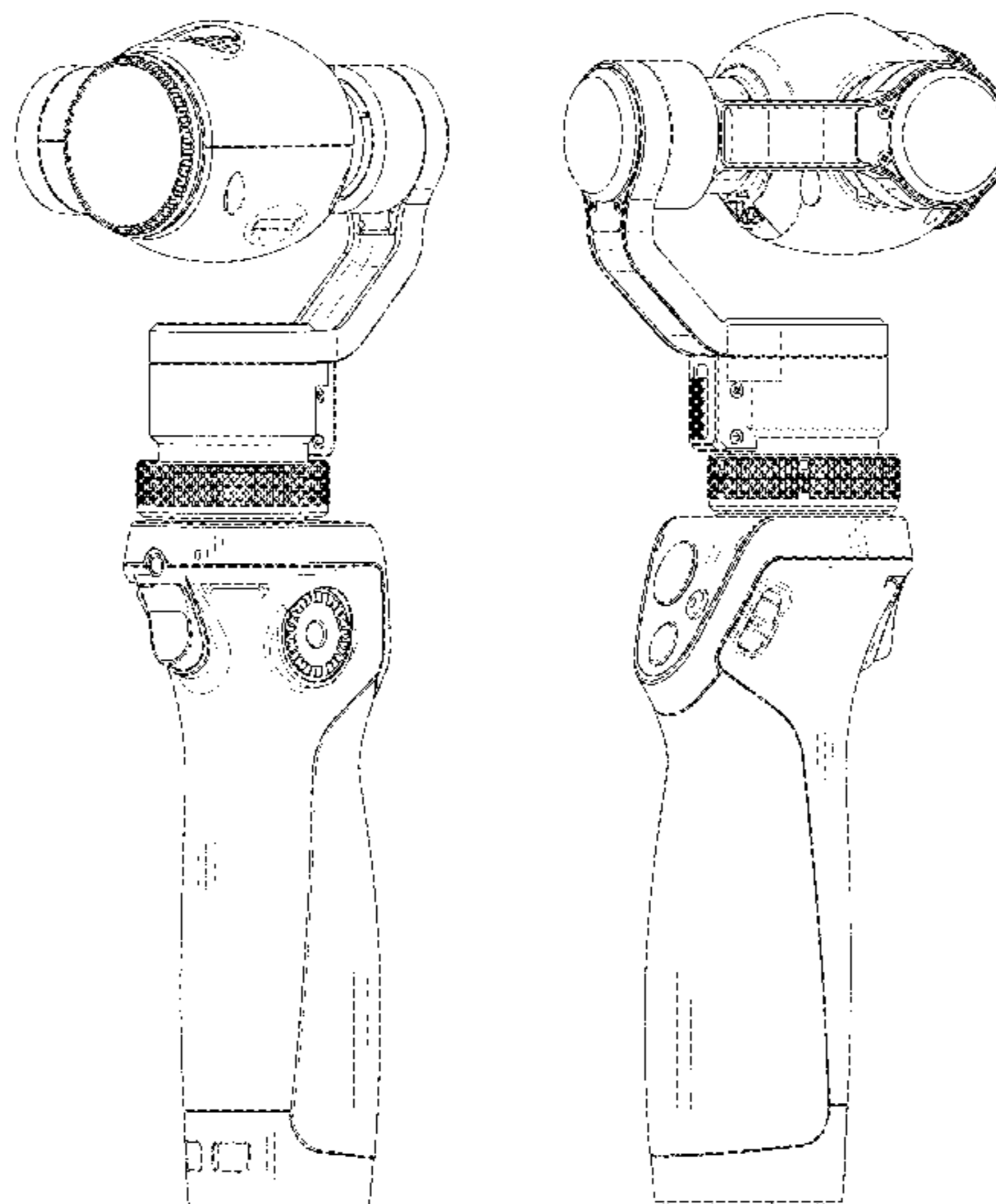
The ornamental design for a camera with handle, as shown and described.

DESCRIPTION

FIG. 1 is a front perspective view of a camera with handle showing the claimed design;
FIG. 2 is a rear perspective view thereof;
FIG. 3 is a rear view thereof;
FIG. 4 is a front view thereof;
FIG. 5 is a right side view thereof;
FIG. 6 is a left side view thereof;
FIG. 7 is a top view thereof; and,
FIG. 8 is a bottom view thereof.

The broken lines in the figures show portions of the camera with handle that form no part of the claimed design.

1 Claim, 7 Drawing Sheets



(56)

References Cited

U.S. PATENT DOCUMENTS

D754,242	S	4/2016	Wang	
D771,733	S	11/2016	Wang et al.	
D779,579	S	2/2017	Anari, III et al.	
D779,580	S	2/2017	Jia	
D780,245	S	2/2017	Ruback et al.	
D781,590	S	3/2017	Weisz	
D785,073	S *	4/2017	Wang	D16/242
D790,000	S *	6/2017	Wang	D16/200
D791,216	S *	7/2017	Wang	D16/242
D791,760	S *	7/2017	Kim	D14/253
D795,946	S *	8/2017	Kim	D16/206
D796,482	S *	9/2017	Zheng	D14/217
D798,932	S *	10/2017	Katori	D16/203
D810,171	S *	2/2018	Kim	D16/206
D811,466	S *	2/2018	Zheng	D16/219
D813,924	S *	3/2018	Zheng	D16/203
D814,545	S *	4/2018	Kim	D16/206
D815,180	S *	4/2018	Kim	D16/206
D816,150	S *	4/2018	Liao	D16/242
2005/0080354	A1	4/2005	Crossley	
2016/0381271	A1	12/2016	Cheng et al.	

FOREIGN PATENT DOCUMENTS

CN	302944108	9/2014
CN	302030830	8/2015
CN	303320442	8/2015
CN	303320443	8/2015
CN	303320444	8/2015
CN	303480322	12/2015
CN	303572923	1/2016
JP	D1273670	6/2006

* cited by examiner

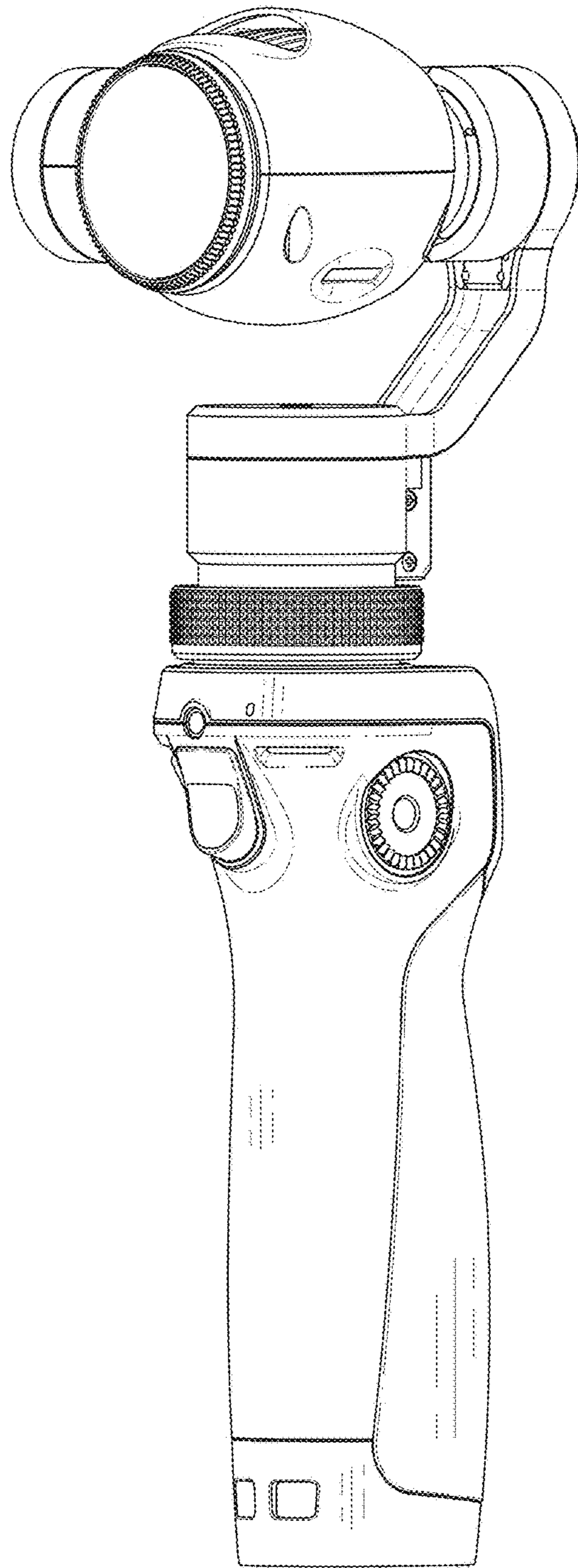


FIG. 1

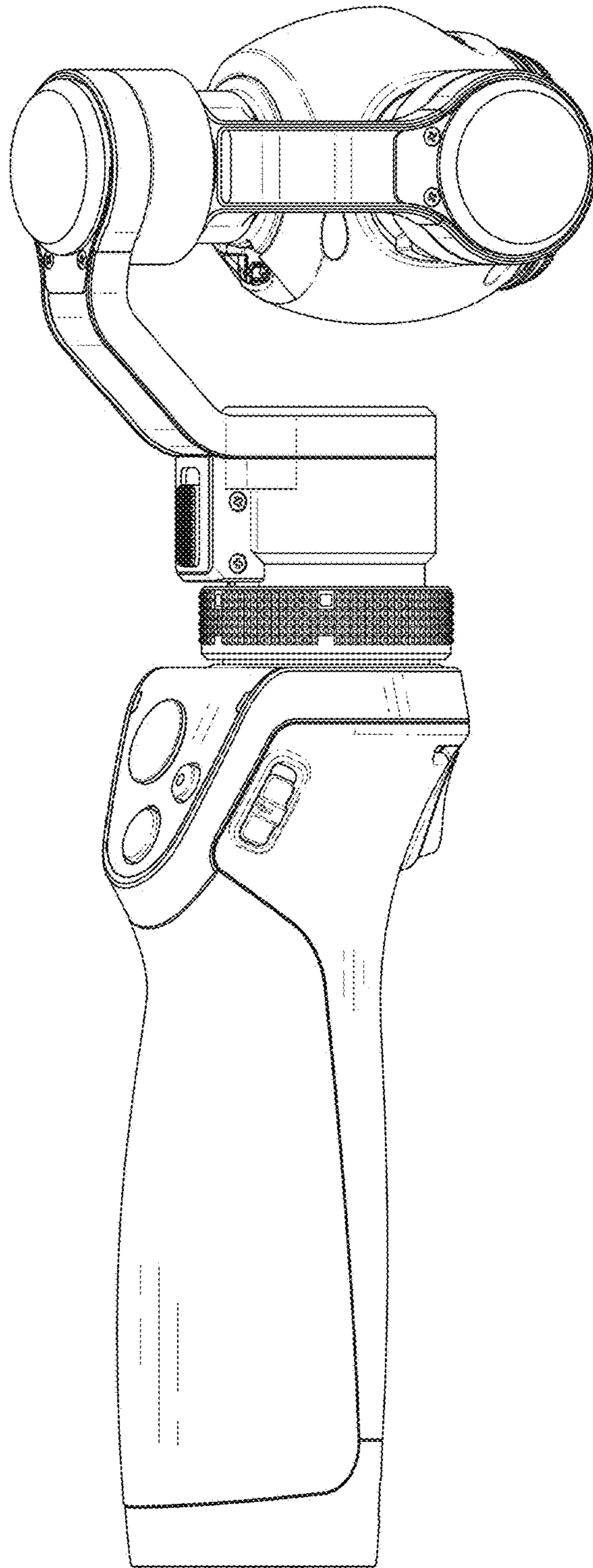


FIG. 2

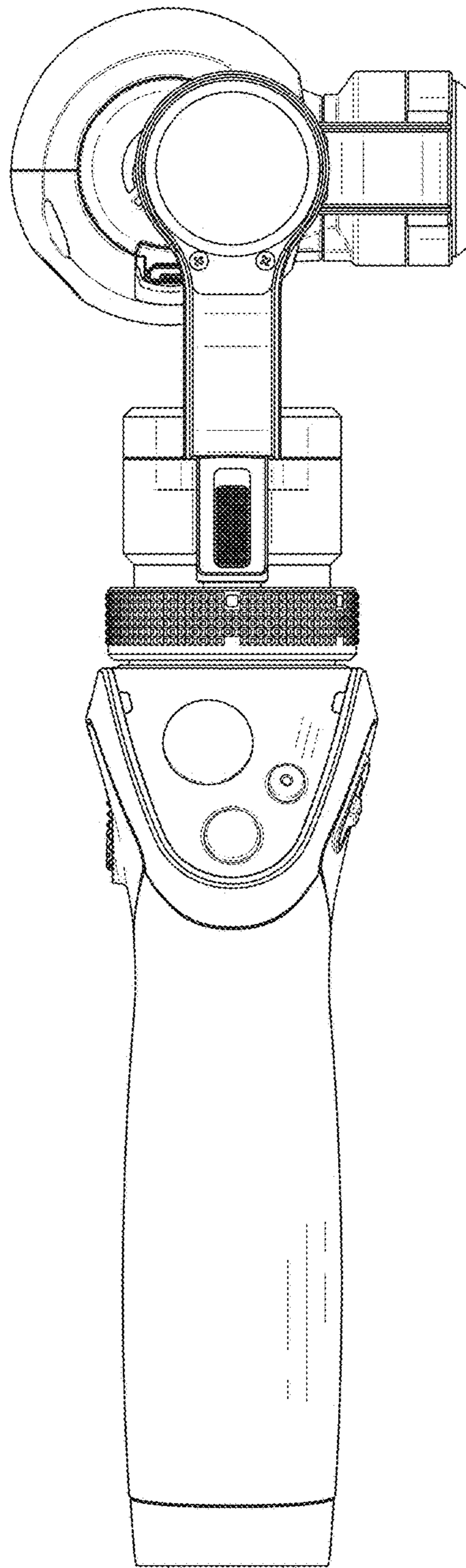


FIG. 3

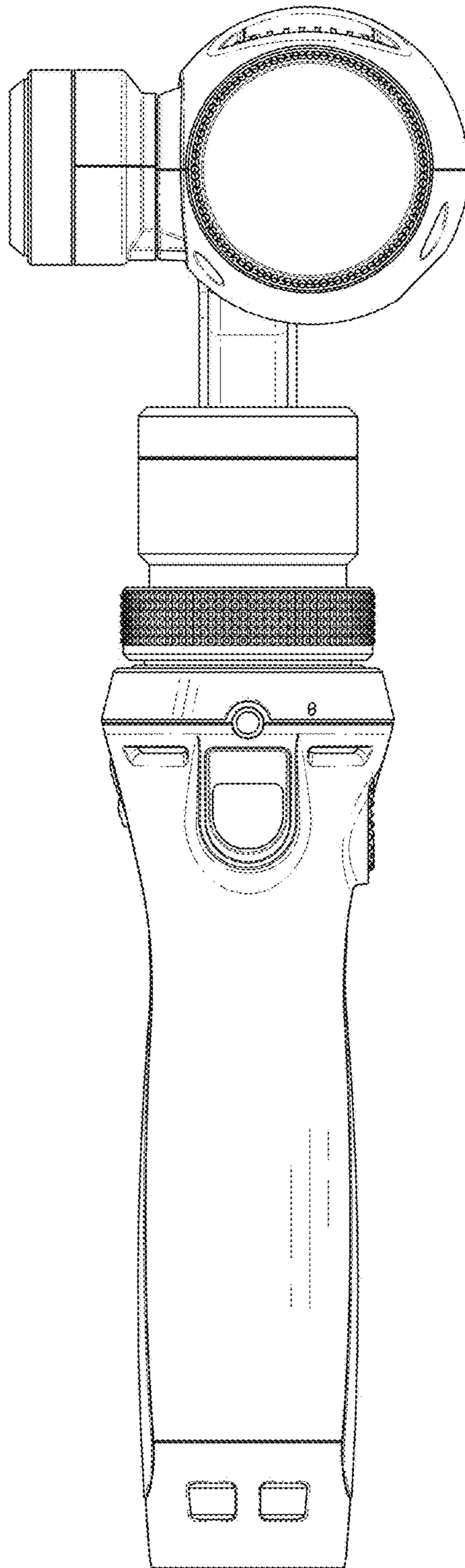


FIG. 4

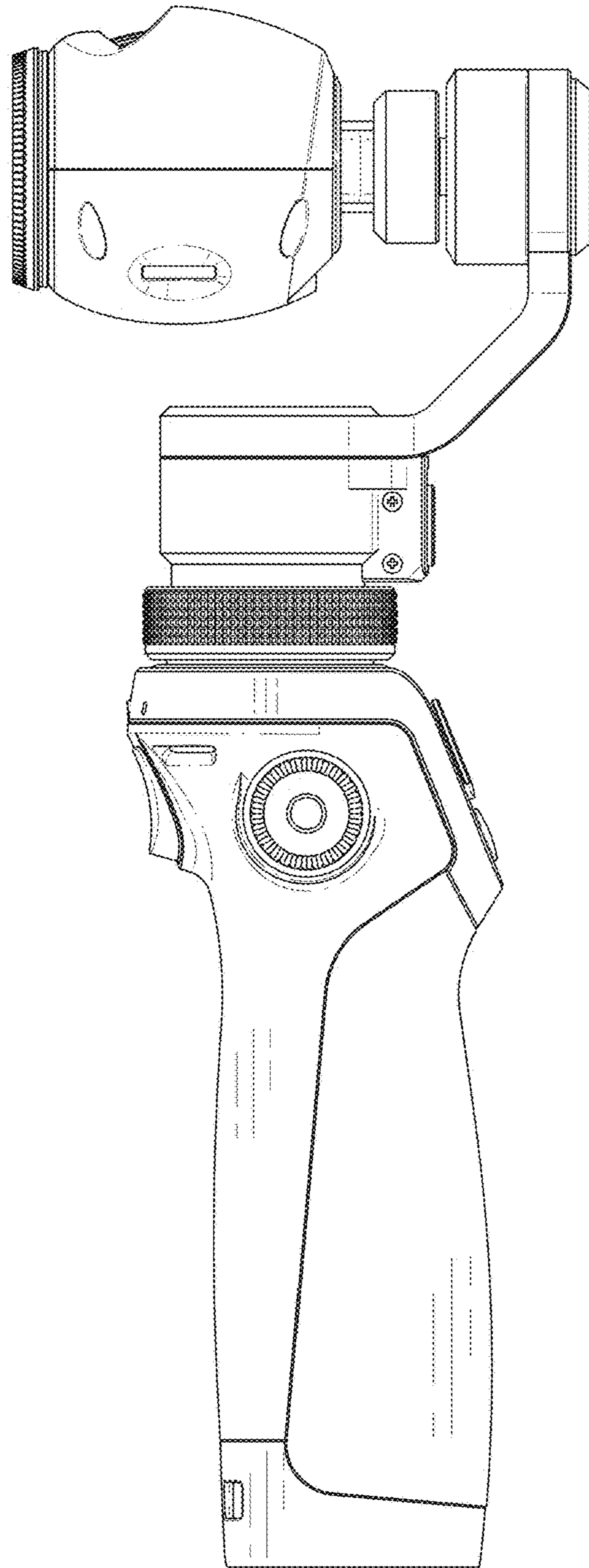


FIG. 5

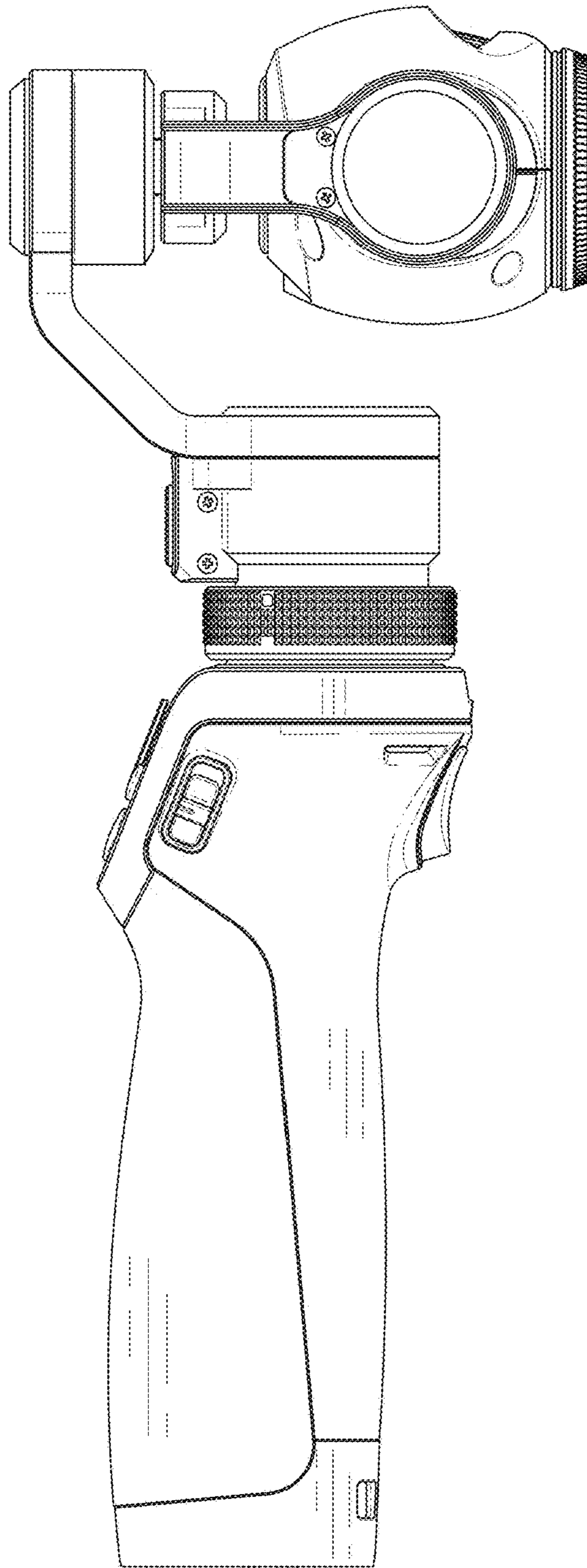


FIG. 6

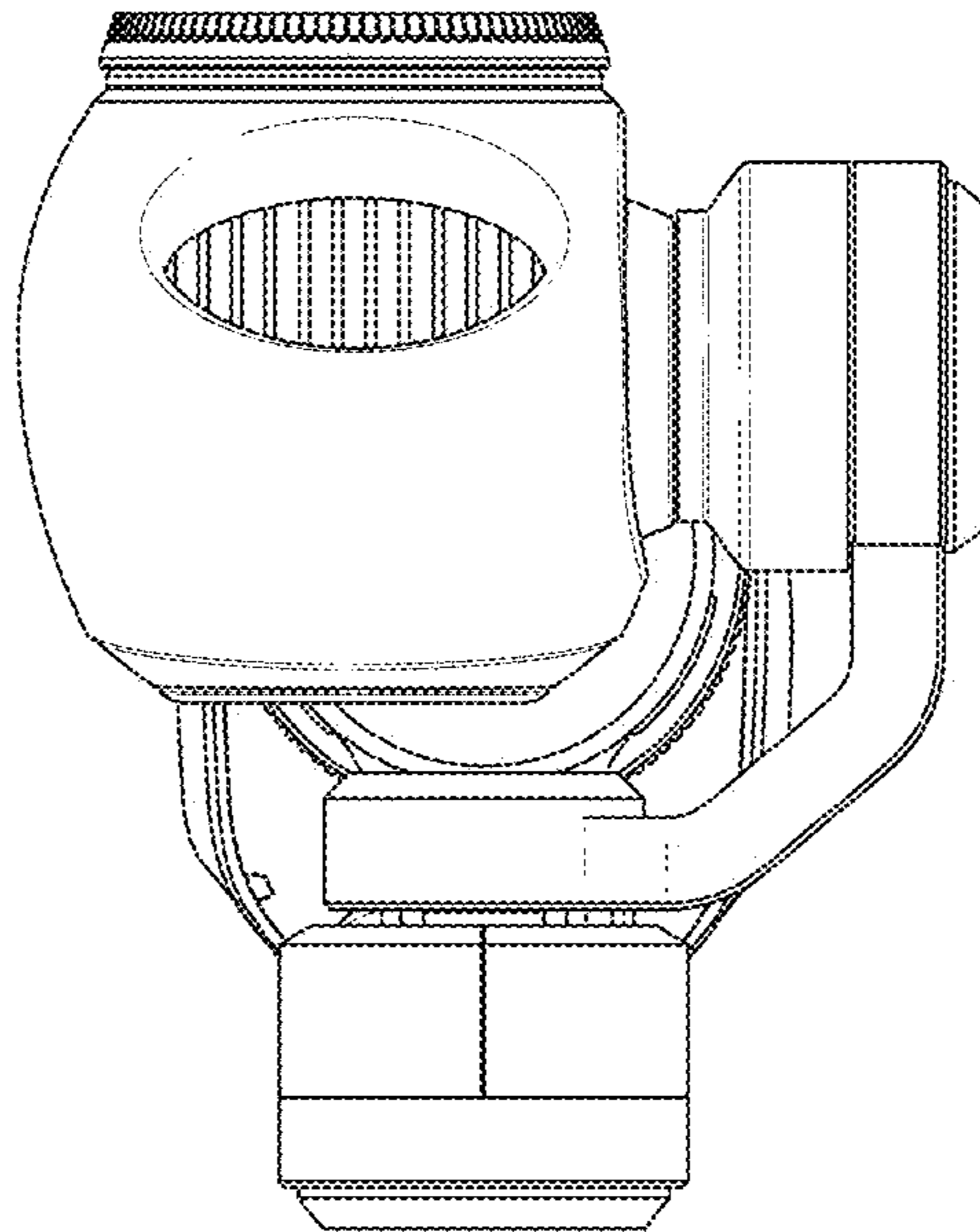


FIG. 7

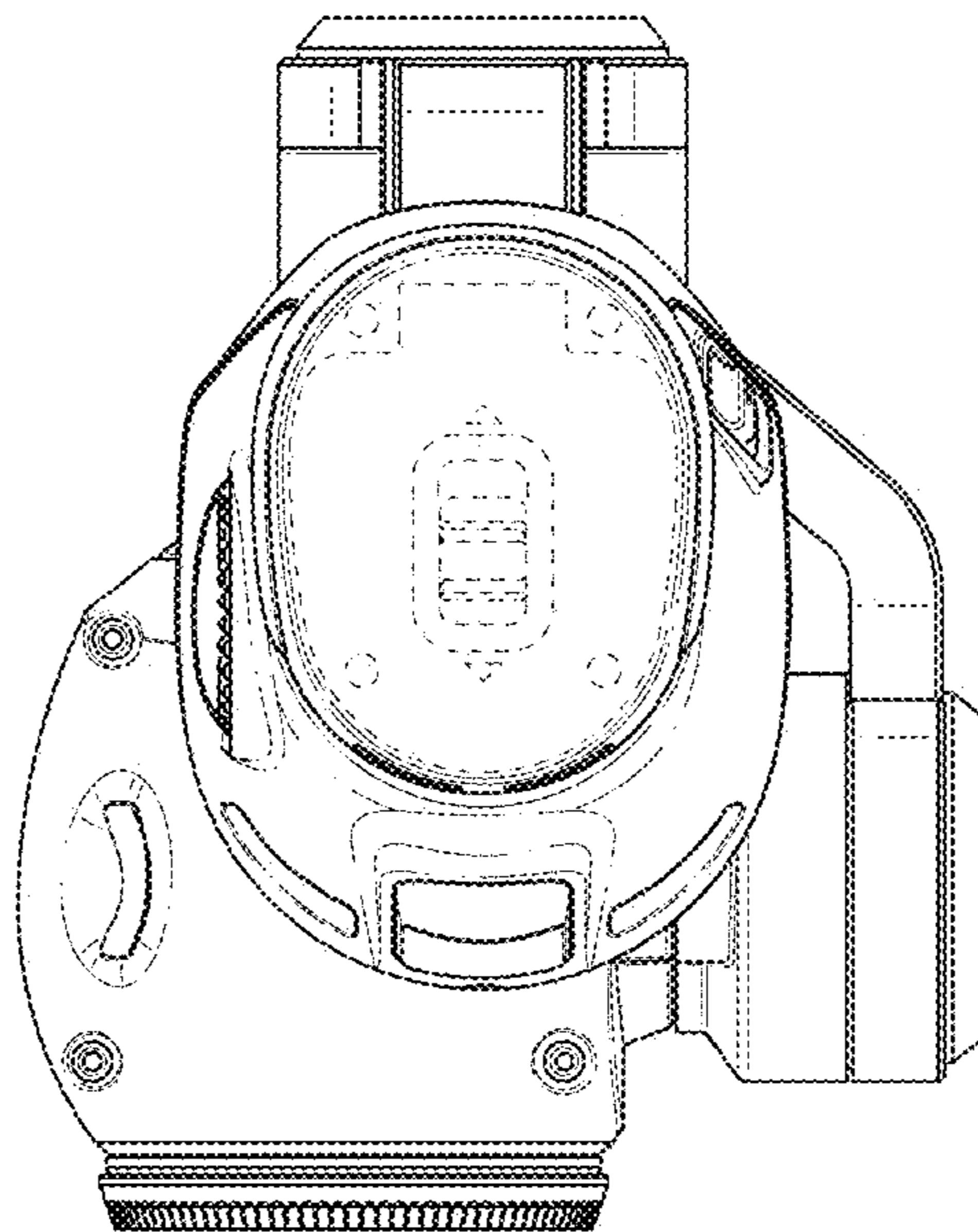


FIG. 8