



US00D836698S

(12) **United States Design Patent** (10) **Patent No.:** **US D836,698 S**
Hathway et al. (45) **Date of Patent:** **** Dec. 25, 2018**

(54) **BABY MONITOR CAMERA**

G08B 13/19619; G08B 13/1963; G08B 13/19632; F16M 11/04; F16M 13/00; Y02E 60/12

(71) Applicant: **Netgear, Inc.**, San Jose, CA (US)

See application file for complete search history.

(72) Inventors: **James Hathway**, Delta (CA); **John Kui Yin Ramones**, San Ramon, CA (US); **Jim Blyth**, Farnham (GB); **Louise Bradley**, Basingstoke (GB); **Matt Plested**, Churt (GB)

(56) **References Cited**

U.S. PATENT DOCUMENTS

D168,250 S *	11/1952	Auzin	D21/589
D484,486 S *	12/2003	Solland	D14/207
D643,065 S *	8/2011	van der Lande	D19/142
D659,736 S *	5/2012	Cheng	D16/225
D677,654 S *	3/2013	Kwag	D14/250
D696,298 S *	12/2013	Britt, Jr.	D14/496
D730,966 S *	6/2015	Liu	D16/202

(Continued)

(73) Assignee: **Arlo Technologies, Inc.**, Carlsbad, CA (US)

(**) Term: **15 Years**

(21) Appl. No.: **29/634,567**

(22) Filed: **Jan. 23, 2018**

OTHER PUBLICATIONS

U.S. Appl. No. 29/577,078, filed Sep. 9, 2016.
U S. Appl. No. 29/577,073, filed Sep. 9, 2016.

Related U.S. Application Data

(62) Division of application No. 29/577,075, filed on Sep. 9, 2016, now Pat. No. Des. 822,743.

(51) **LOC (11) Cl.** **16-01**

(52) **U.S. Cl.**
USPC **D16/203**; D16/202

(58) **Field of Classification Search**
USPC D16/200–220, 229, 230, 242, 244, 245, D16/238, 225; D14/496, 203.1, 203.3, D14/203.7, 240, 356, 358; D28/41; D1/109, 107, 106; D2/868, 869, 883, D2/884, 894, 895, 873; D29/122; D12/400; D11/158, 224, 181, 239, 31, D11/49, 82, 100, 128, 157; D21/617, D21/618, 611, 620, 652, 654, 656, 655
CPC H04N 7/181; H04N 7/183; H04N 7/18; H04N 3/08; H04N 5/23248; H04N 5/23287; H04N 5/23258; H04N 2007/145; H04N 7/00; G01C 11/025; G02B 5/00; G03B 15/00; G03B 15/03; G03B 17/56; G03B 17/02; G03B 17/30; G03B 17/04; G03B 17/00; G03B 19/04; G03B 3/00; B60R 1/00; B60R 2300/105;

Primary Examiner — Barbara Fox
Assistant Examiner — Mary C Ramirez

(74) *Attorney, Agent, or Firm* — Boyle Fredrickson, S.C.

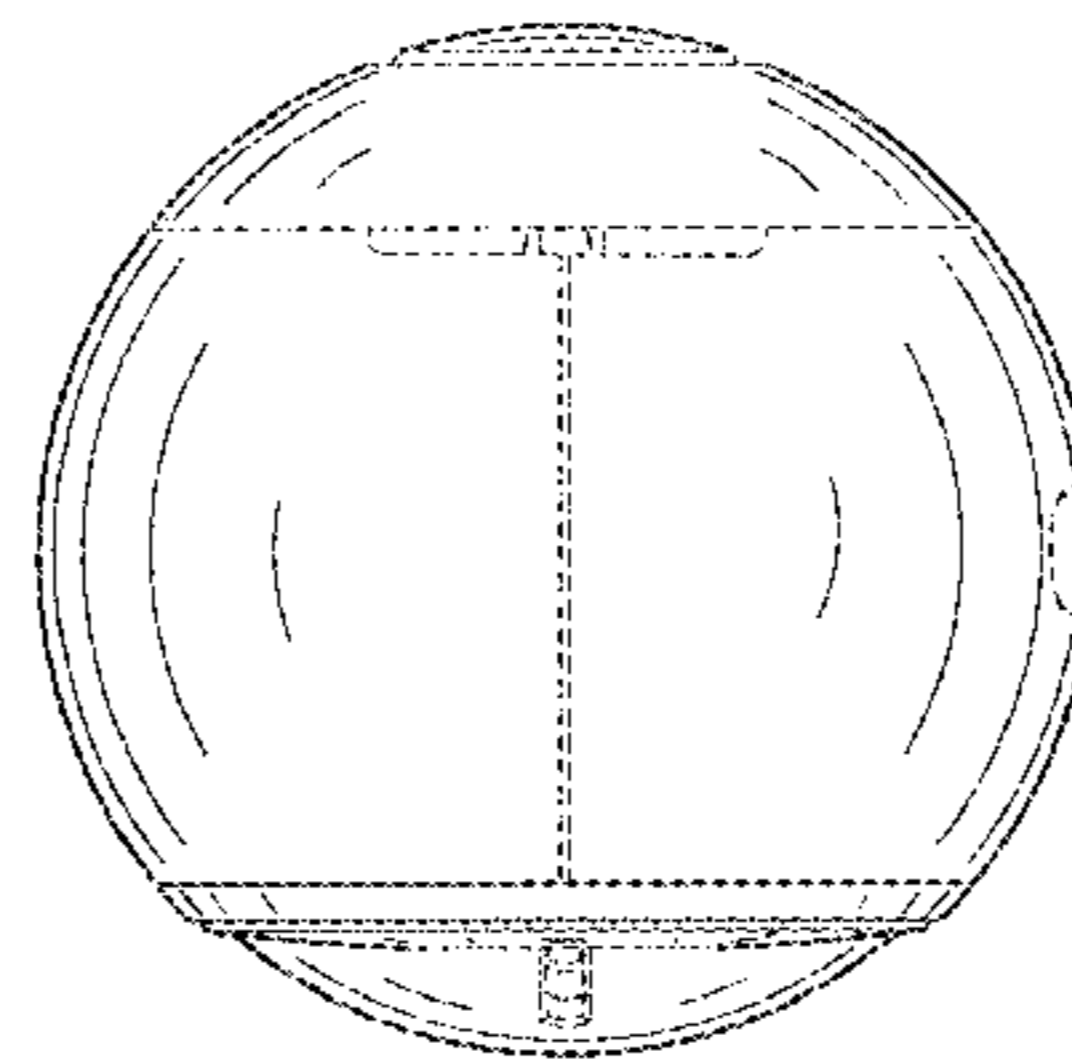
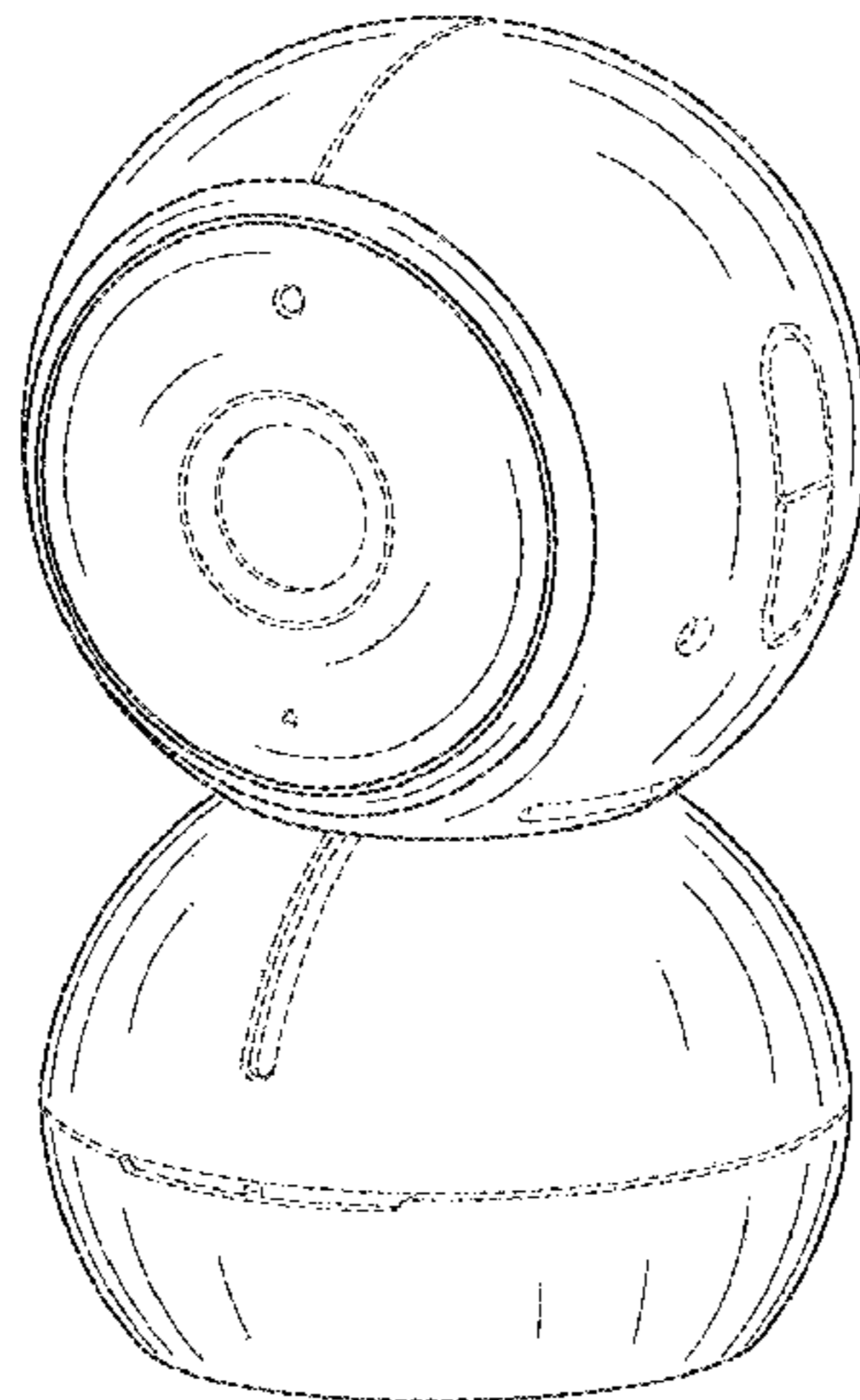
(57) **CLAIM**

The ornamental design for a baby monitor camera, as shown and described.

DESCRIPTION

FIG. 1 is a top, front, right isometric view of a baby monitor camera showing our new design;
FIG. 2 is a front elevation view thereof;
FIG. 3 is a rear elevation view thereof;
FIG. 4 is right side elevation view thereof;
FIG. 5 is a left side elevation view thereof;
FIG. 6 is a top plan view thereof; and,
FIG. 7 is a bottom plan view thereof.
The broken lines shown in the drawings depict portions of the baby monitor camera that form no part of the claimed design.

1 Claim, 4 Drawing Sheets



(56)

References Cited

U.S. PATENT DOCUMENTS

D731,180	S	*	6/2015	Neuhaus	D3/273
D734,337	S	*	7/2015	Volta	D14/420
D742,955	S	*	11/2015	Kozko	D16/207
D749,661	S	*	2/2016	Yang	D16/203
D757,679	S	*	5/2016	Yan	D14/205
D767,518	S	*	9/2016	Kim	D14/130
D774,710	S	*	12/2016	Stiles	D30/160
9,521,301	B2	*	12/2016	Bart	H04N 5/2252
D782,450	S	*	3/2017	Jones	D14/240
D790,620	S	*	6/2017	Lee	D16/202
D793,363	S	*	8/2017	Zhang	D14/216
D794,106	S	*	8/2017	Wang	D16/203
D797,575	S	*	9/2017	Lai	D10/22
D810,804	S	*	2/2018	Borel	D16/203
D813,290	S	*	3/2018	Song	D16/203
D815,172	S	*	4/2018	Noh	D16/202
D815,677	S	*	4/2018	Gao	D16/218
D816,756	S	*	5/2018	Chang	D16/210
D822,742	S	*	7/2018	Hathway	D16/203
D822,743	S	*	7/2018	Hathway	D16/203
2004/0161289	A1	*	8/2004	Silberman	A63H 33/00 401/195

* cited by examiner

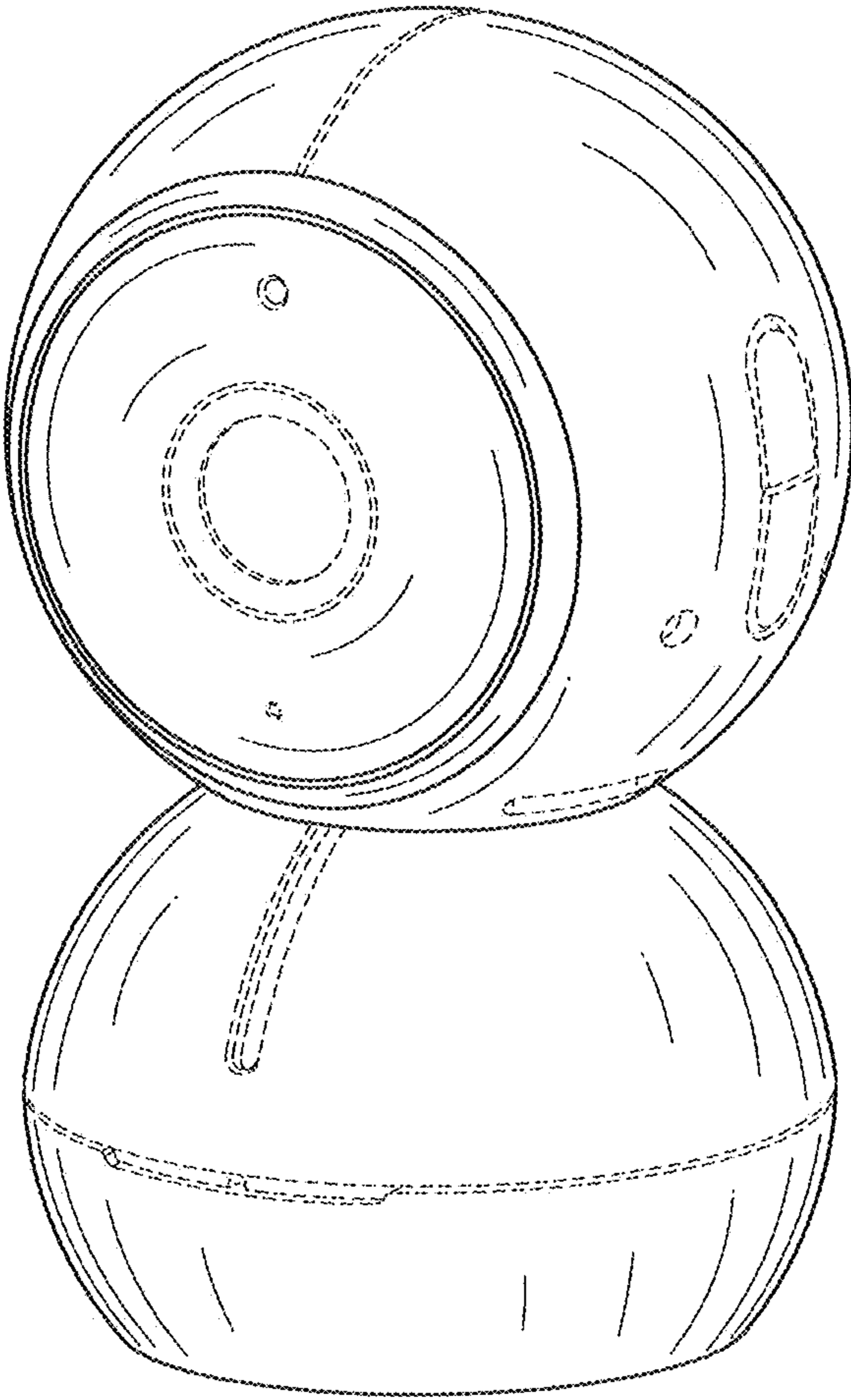


FIG. 1

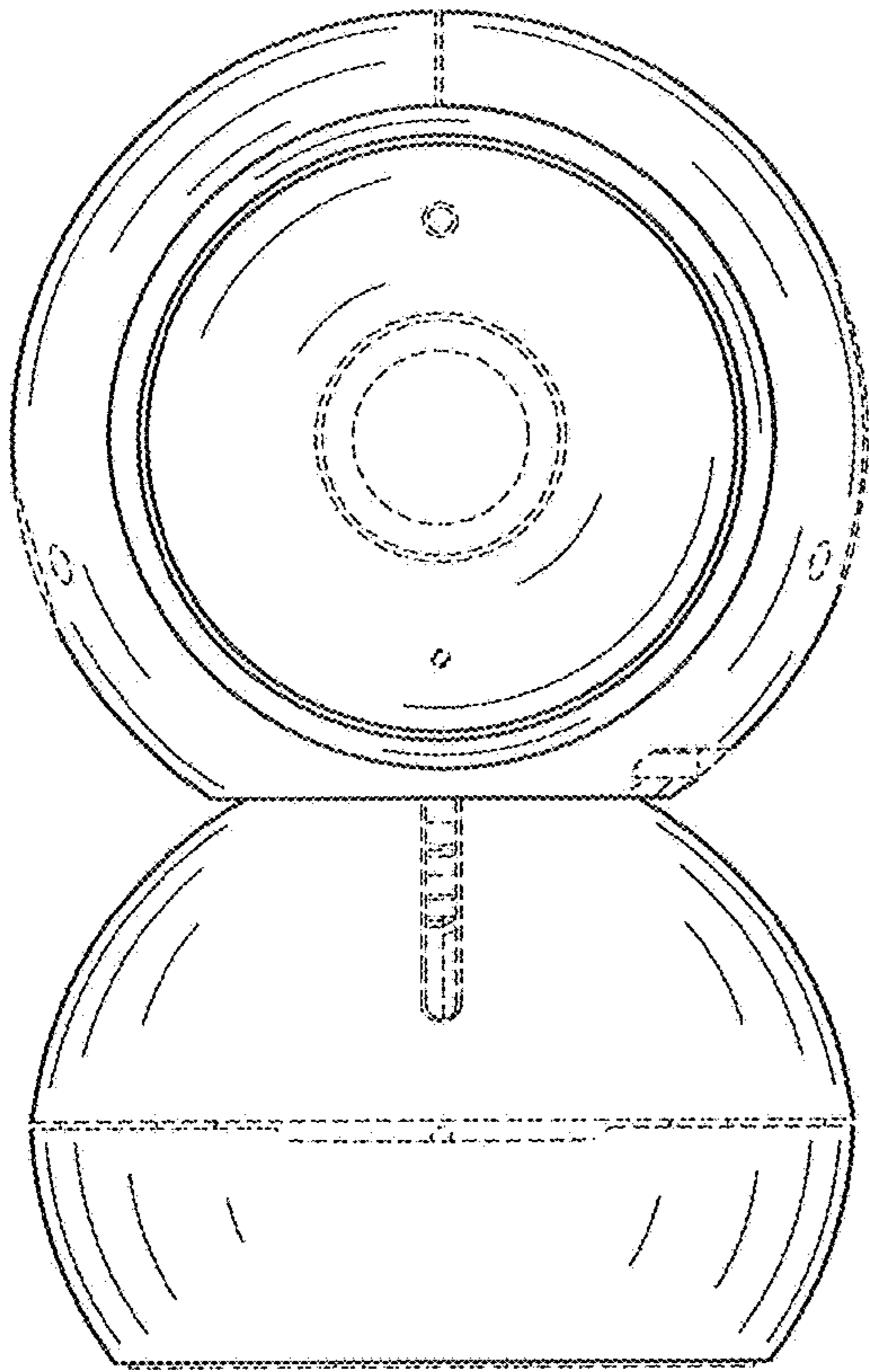


FIG. 2

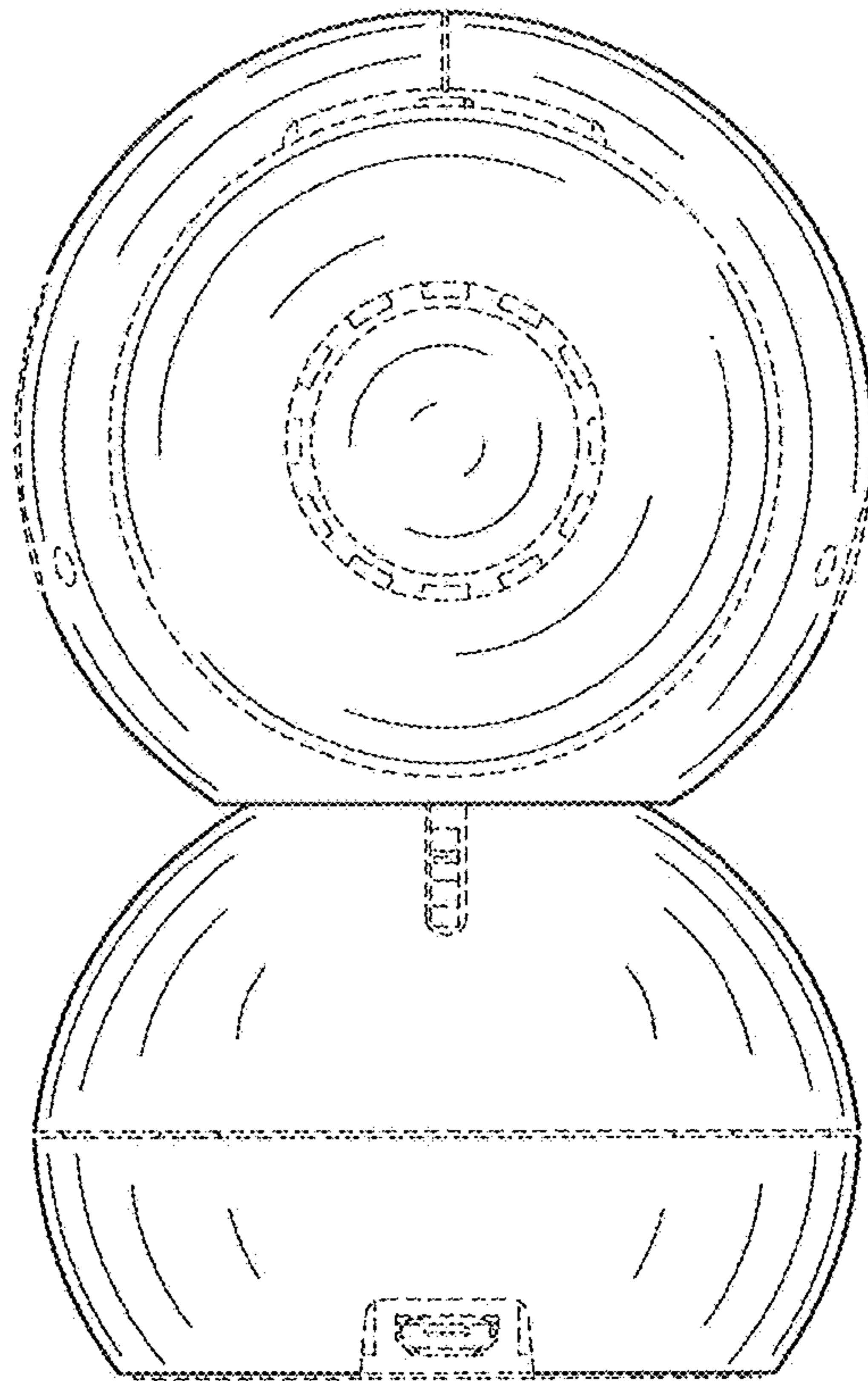


FIG. 3

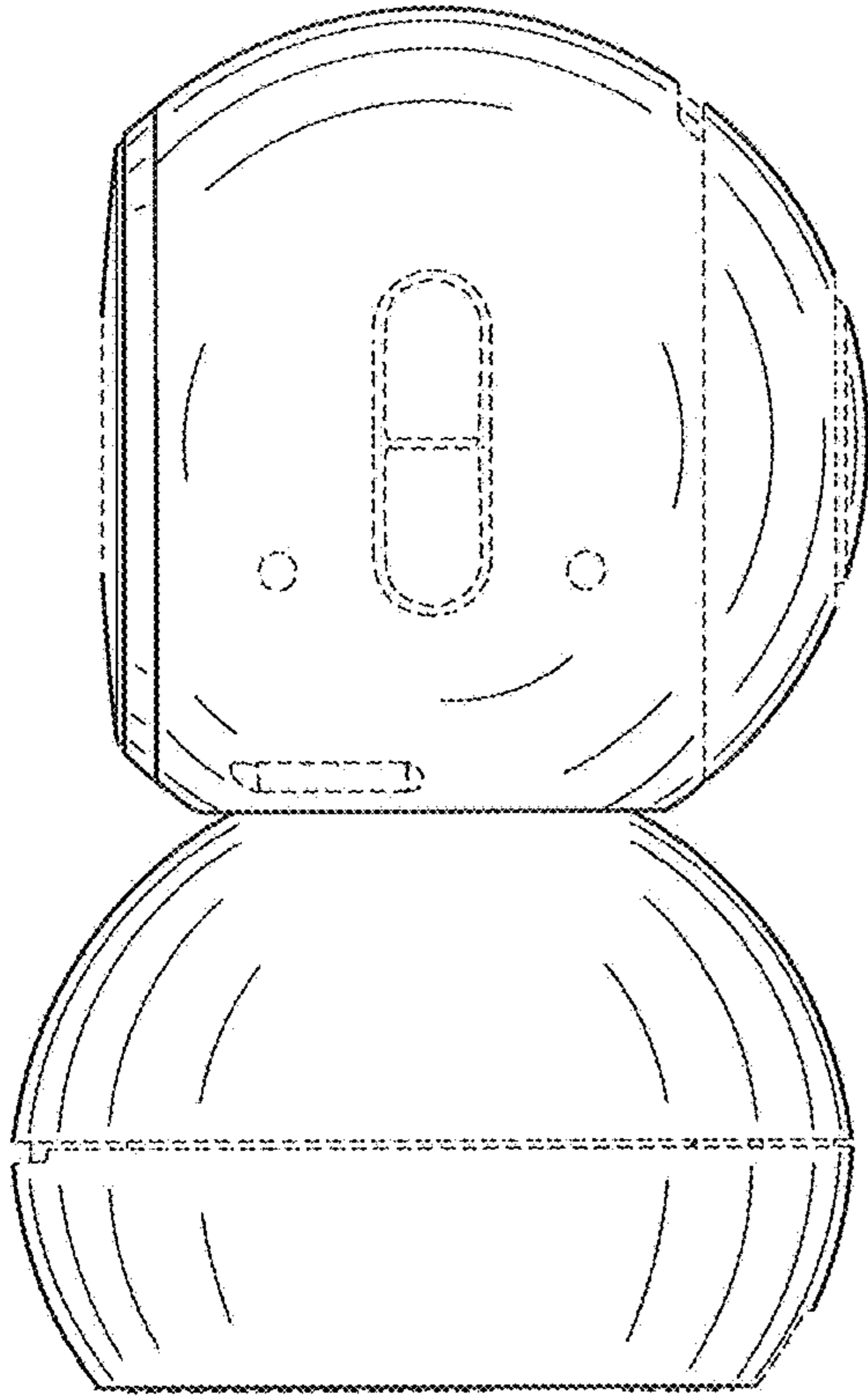


FIG. 4

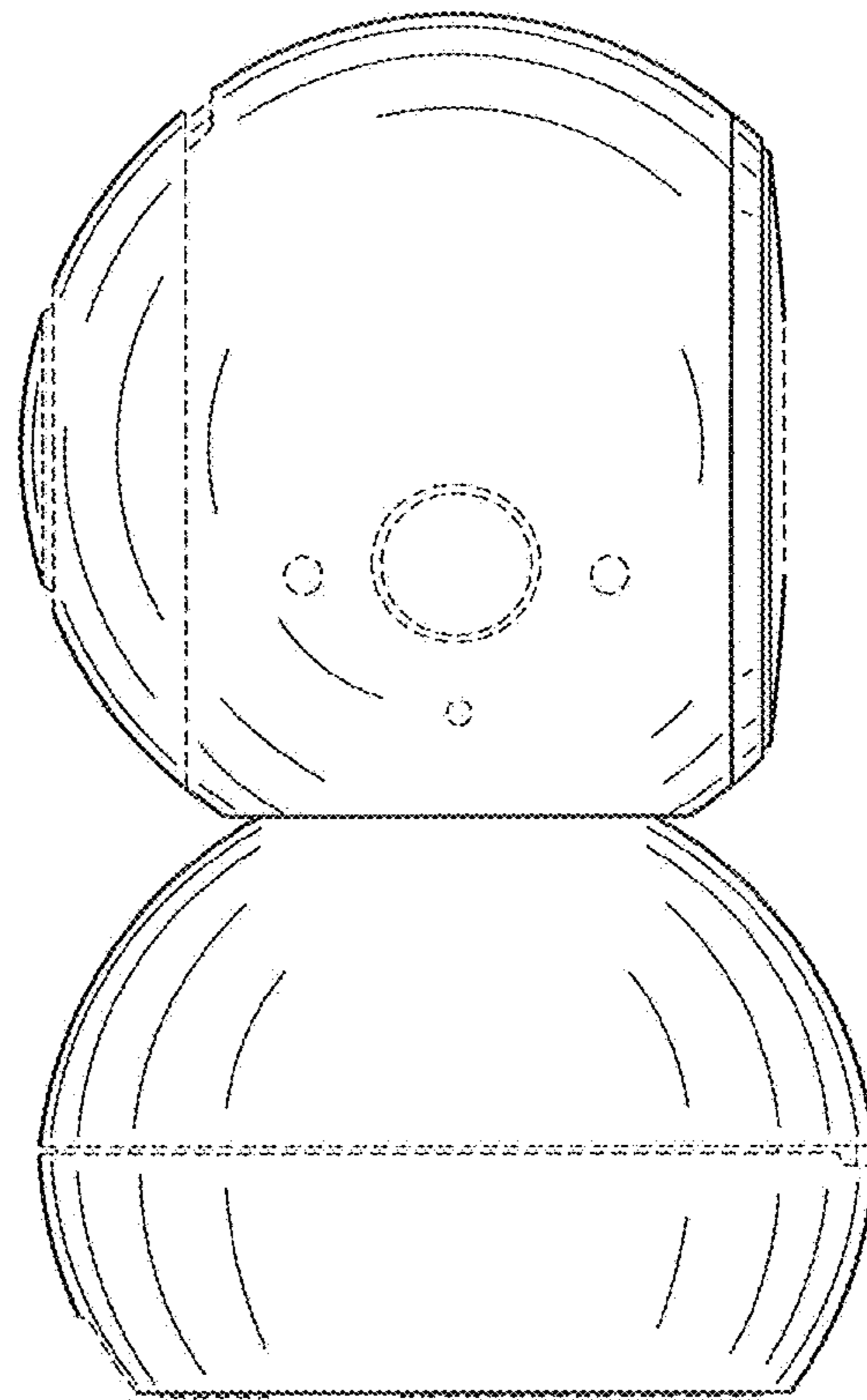


FIG. 5

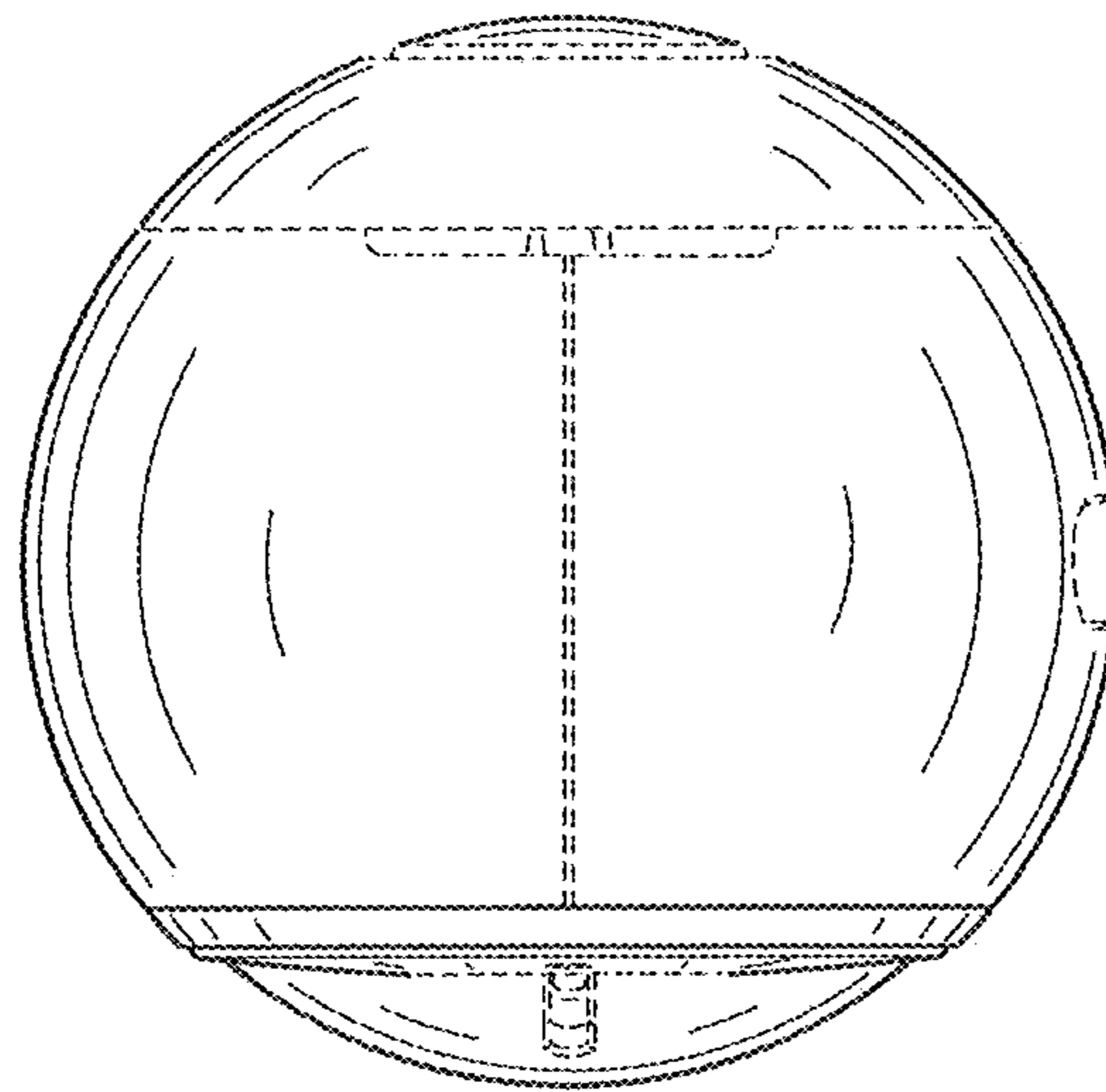


FIG. 6

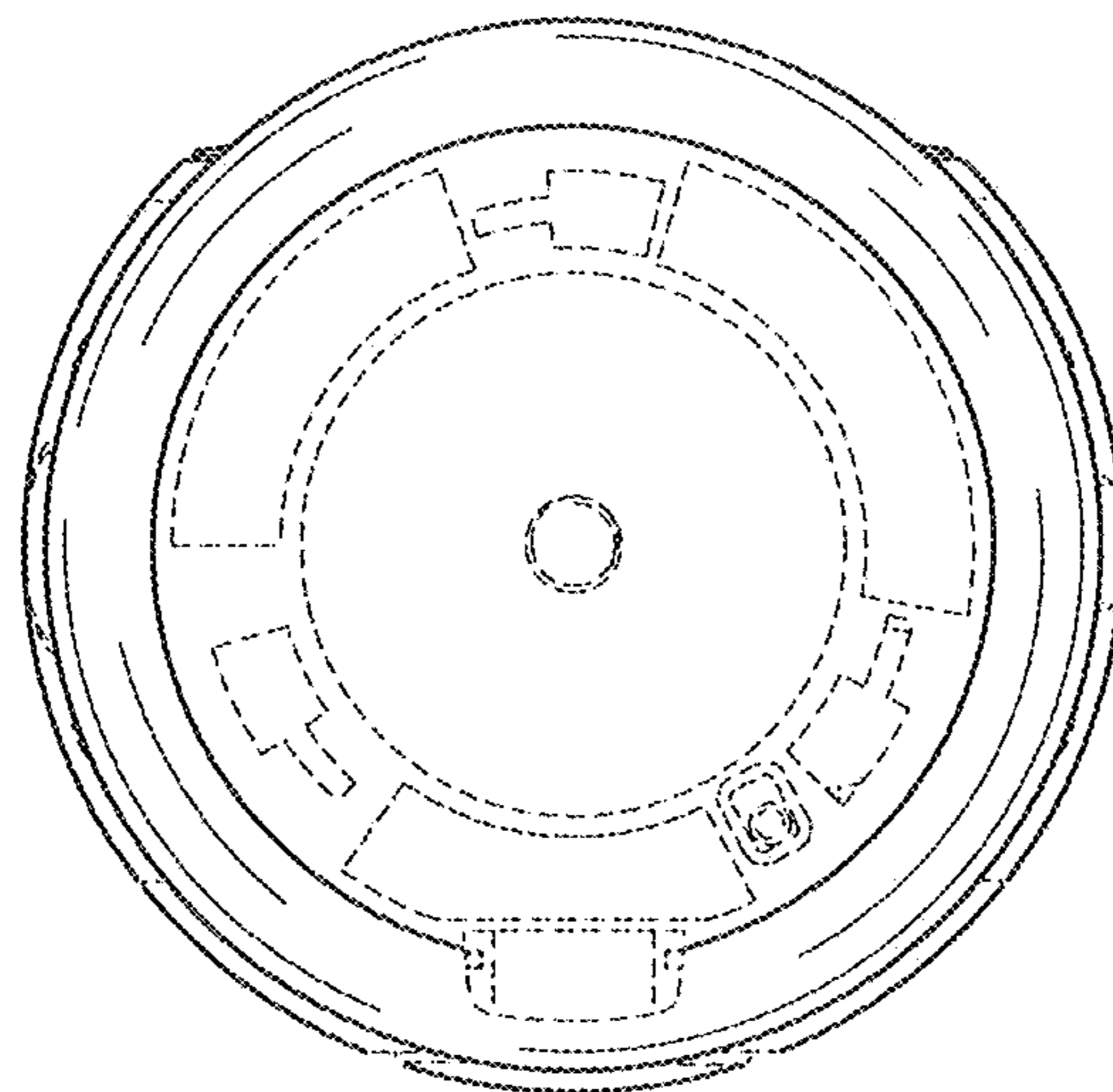


FIG. 7