



US00D836696S

(12) **United States Design Patent**
Zhang

(10) **Patent No.:** **US D836,696 S**

(45) **Date of Patent:** **** Dec. 25, 2018**

(54) **CAMERA**

(71) Applicant: **Jun Zhang**, Suqian (CN)

(72) Inventor: **Jun Zhang**, Suqian (CN)

(**) Term: **15 Years**

(21) Appl. No.: **29/612,044**

(22) Filed: **Jul. 27, 2017**

(51) **LOC (11) Cl.** **16-01**

(52) **U.S. Cl.**
USPC **D16/202**

(58) **Field of Classification Search**
USPC D16/200, 202–206, 208, 209, 218, 219;
348/294, 373–376; 359/826; 396/6, 301,
396/529, 535, 539–541
CPC G03B 15/03; G03B 17/02; G03B 17/04;
G03B 17/56; G03B 19/04; H04N 5/2251;
H04N 5/2252; H04N 5/2253; H04N
5/2254; H04N 2101/00
See application file for complete search history.

(56) **References Cited**

U.S. PATENT DOCUMENTS

D721,395 S *	1/2015	Woodman	D16/218
D737,879 S *	9/2015	Woodman	D16/218
D750,686 S *	3/2016	Chen	D16/218
D751,131 S *	3/2016	Woodman	D16/218
D760,309 S *	6/2016	Parfitt	D16/202

D766,351 S *	9/2016	Li	D16/202
D769,346 S *	10/2016	Nguyen	D16/218
D772,966 S *	11/2016	Song	D16/200
D775,254 S *	12/2016	Parfitt	D16/202
2003/0035052 A1 *	2/2003	Baron	H04N 5/232 348/207.99
2005/0212959 A1 *	9/2005	Manabe	G02B 7/102 348/375

* cited by examiner

Primary Examiner — Philip S Hyder

Assistant Examiner — Ramzi S Almatrahi

(74) *Attorney, Agent, or Firm* — Novoclaims Patent Services LLC; Mei Lin Wong

(57) **CLAIM**

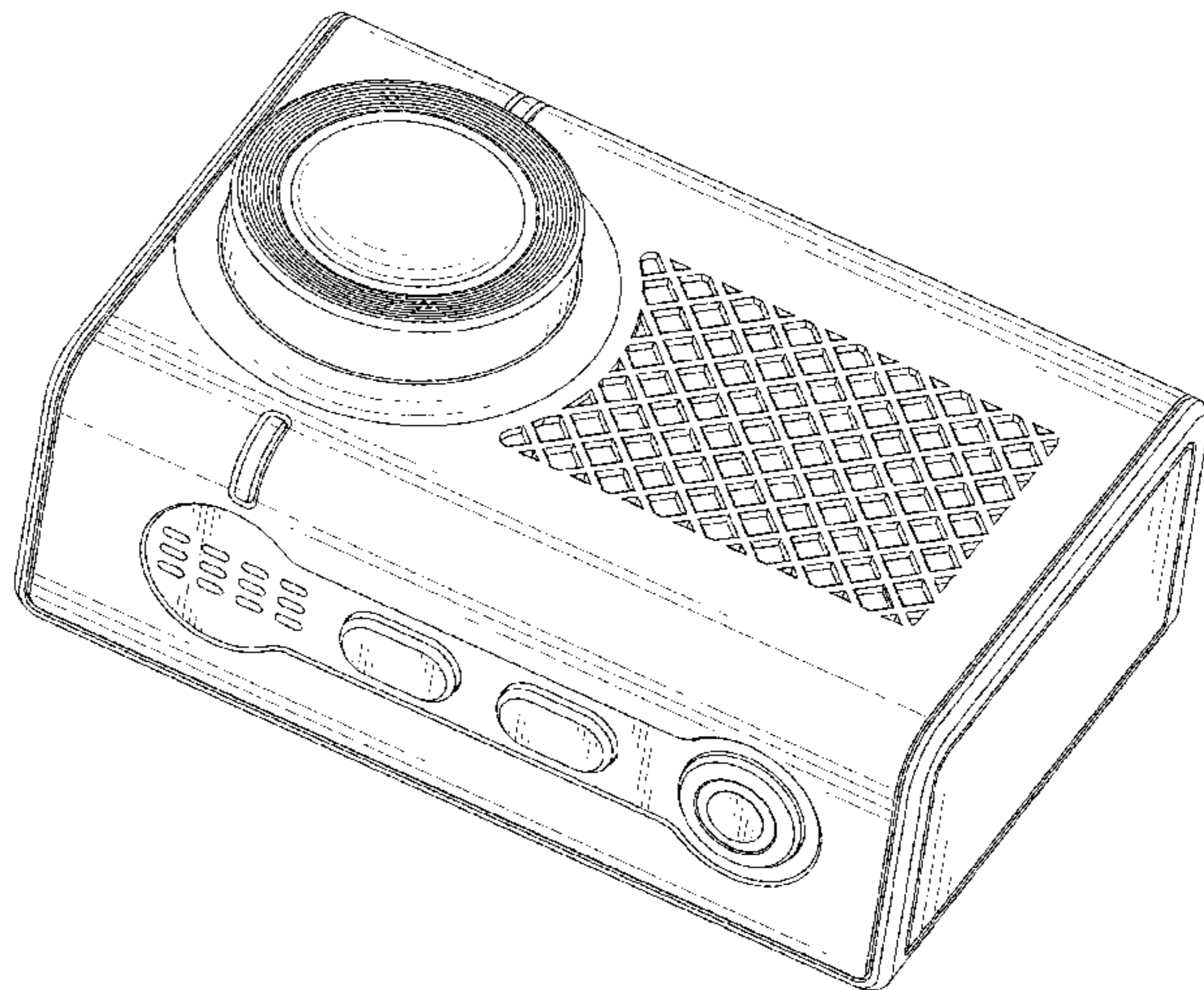
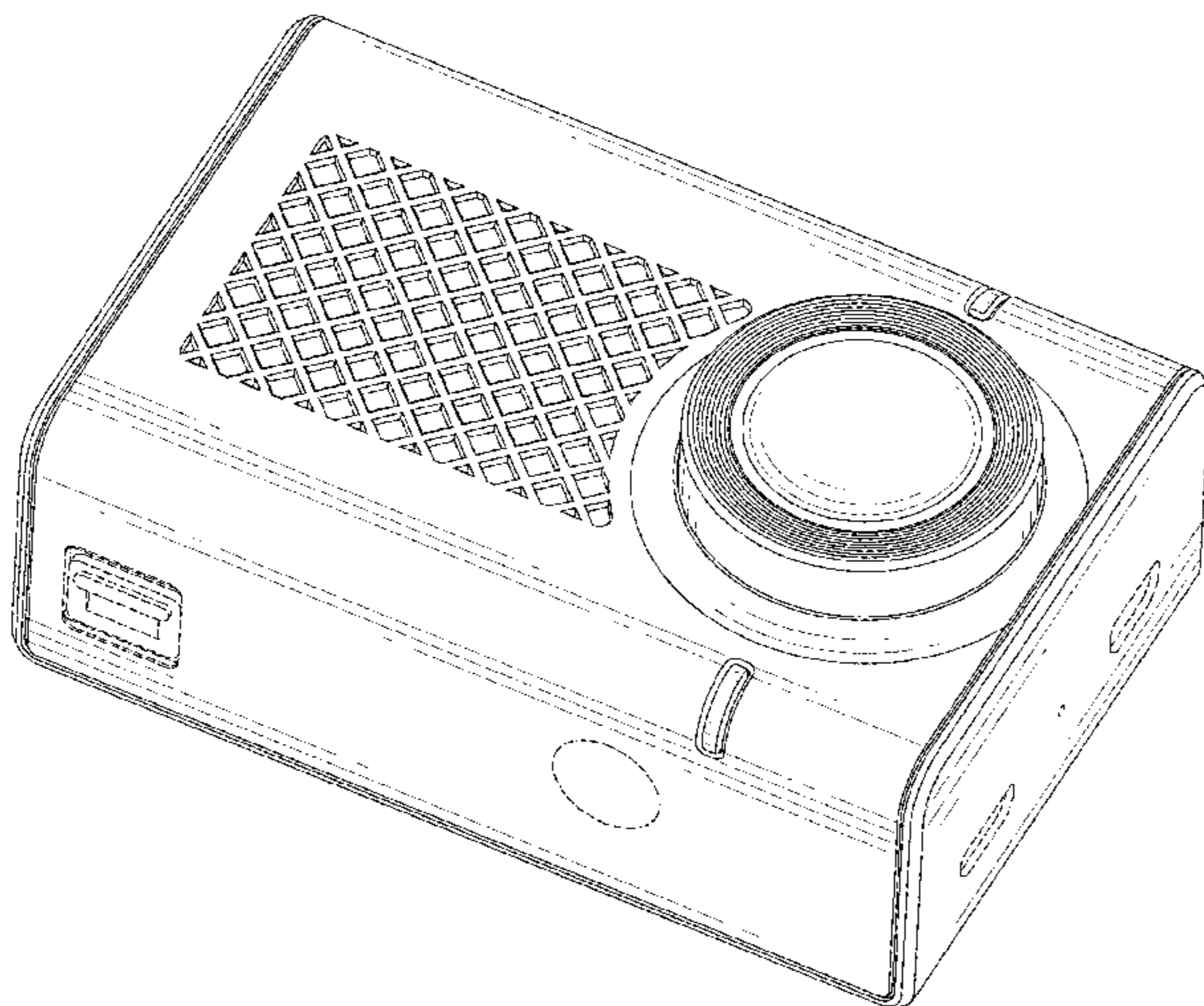
The ornamental design of a camera, as shown and described.

DESCRIPTION

FIG. 1 is a bottom perspective view of a camera showing my new design;
FIG. 2 is a top perspective view thereof;
FIG. 3 is a front elevation view thereof;
FIG. 4 is a rear elevation view thereof;
FIG. 5 is a left side elevation view thereof;
FIG. 6 is a right side elevation view thereof;
FIG. 7 is a top plan view thereof; and,
FIG. 8 is a bottom plan view thereof.

The broken lines depict portions of the camera in which the design is embodied that form no part of the claimed design.

1 Claim, 8 Drawing Sheets



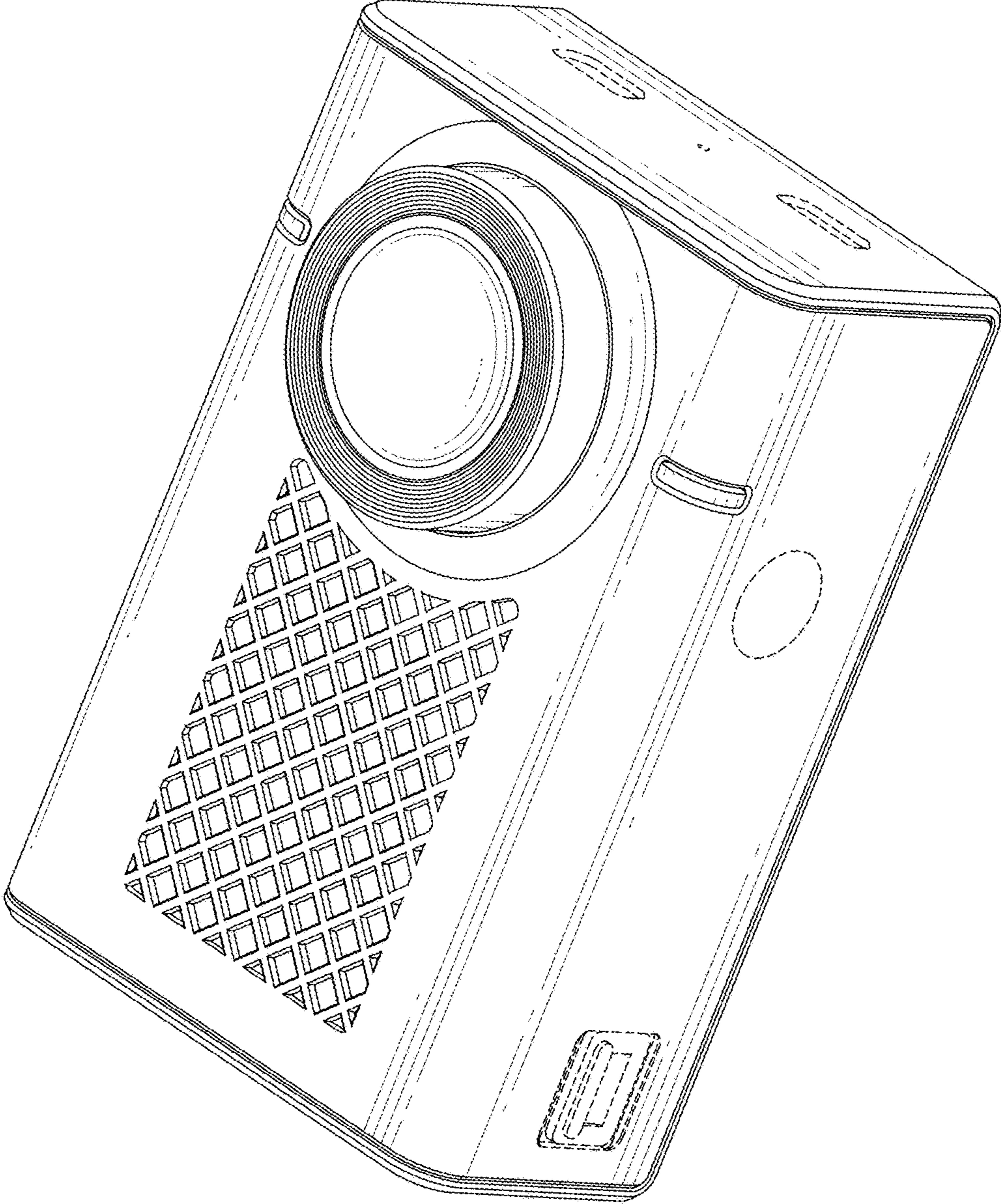


FIG. 1

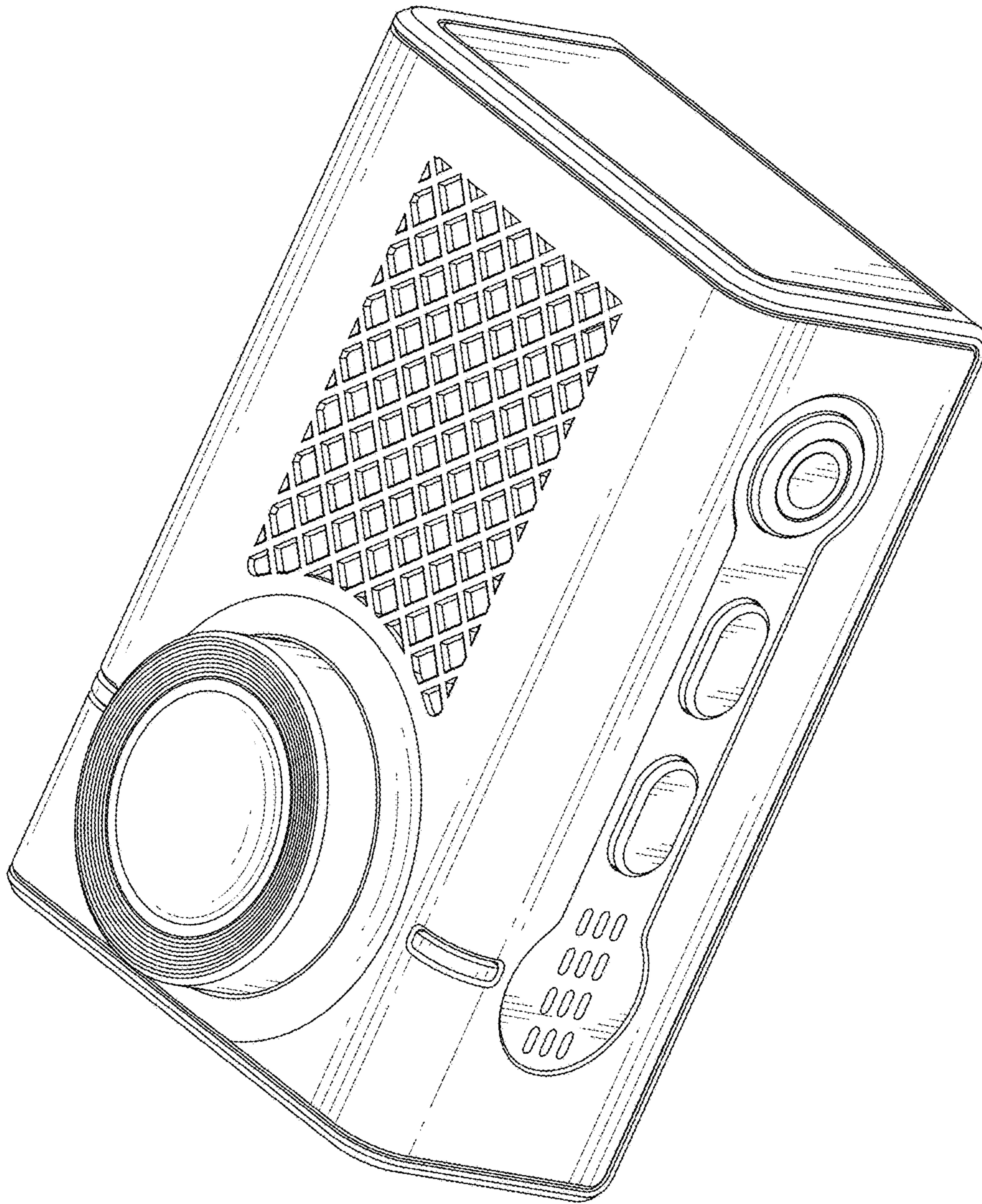


FIG. 2

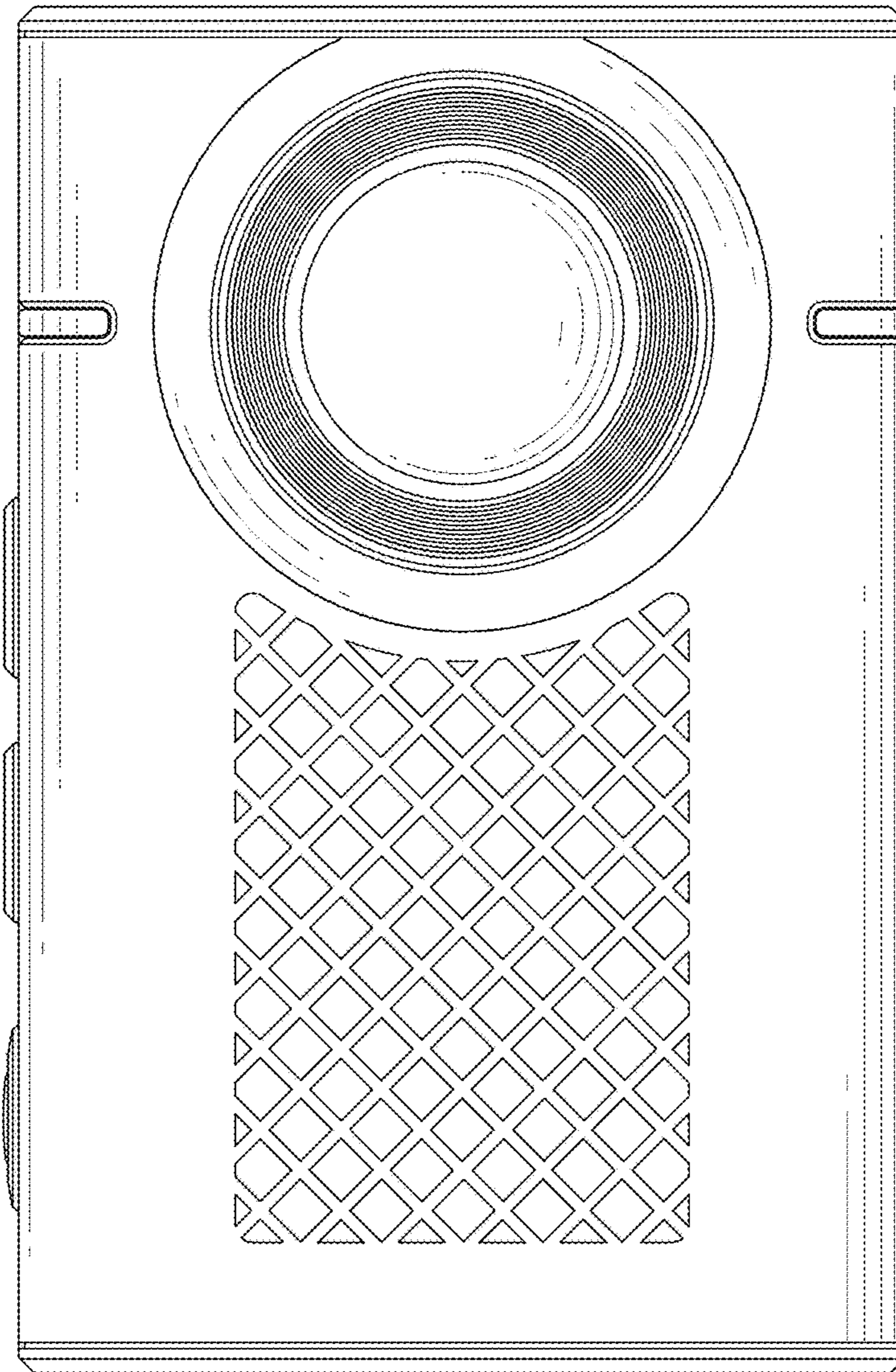


FIG. 3

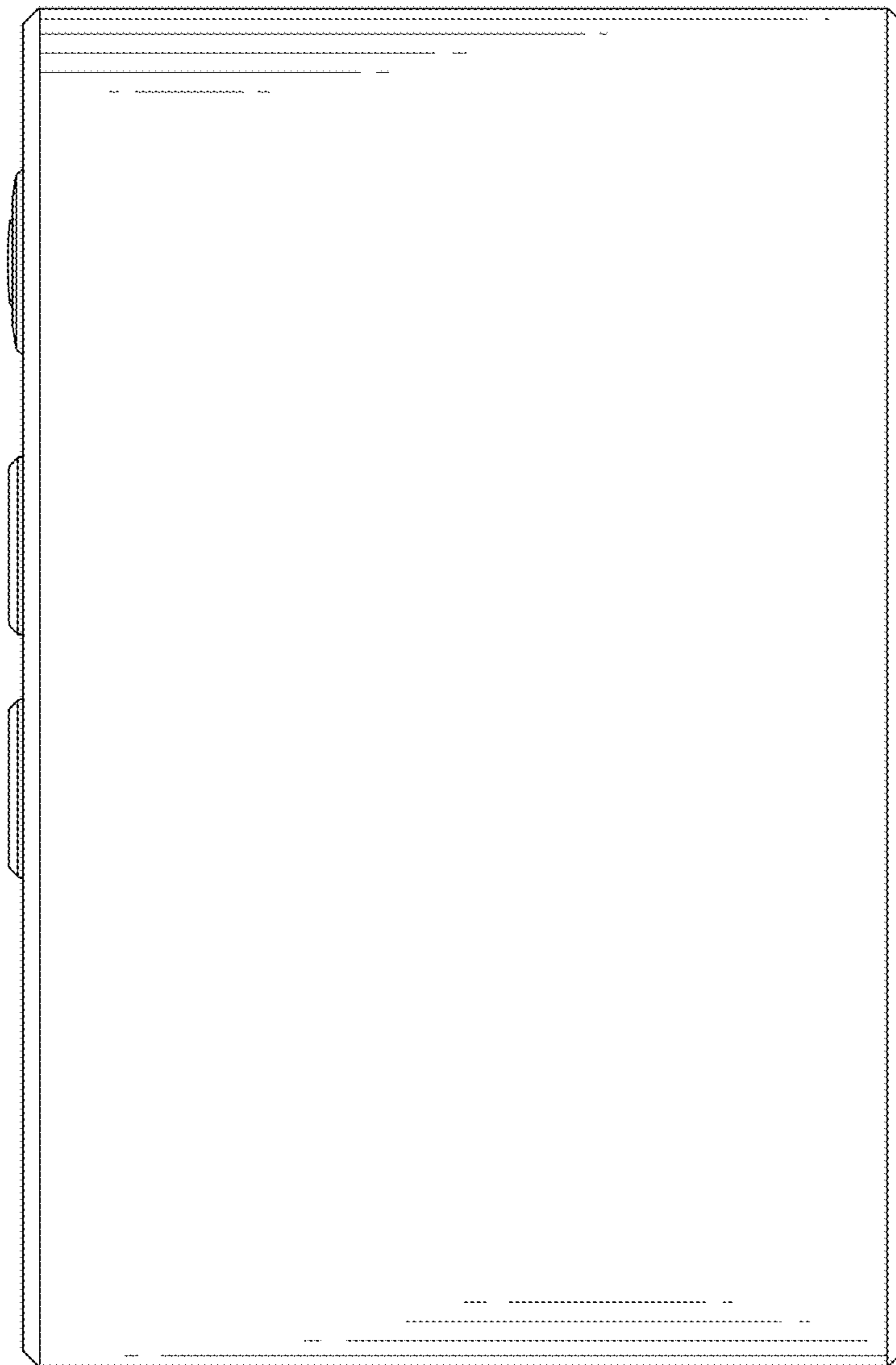


FIG. 4

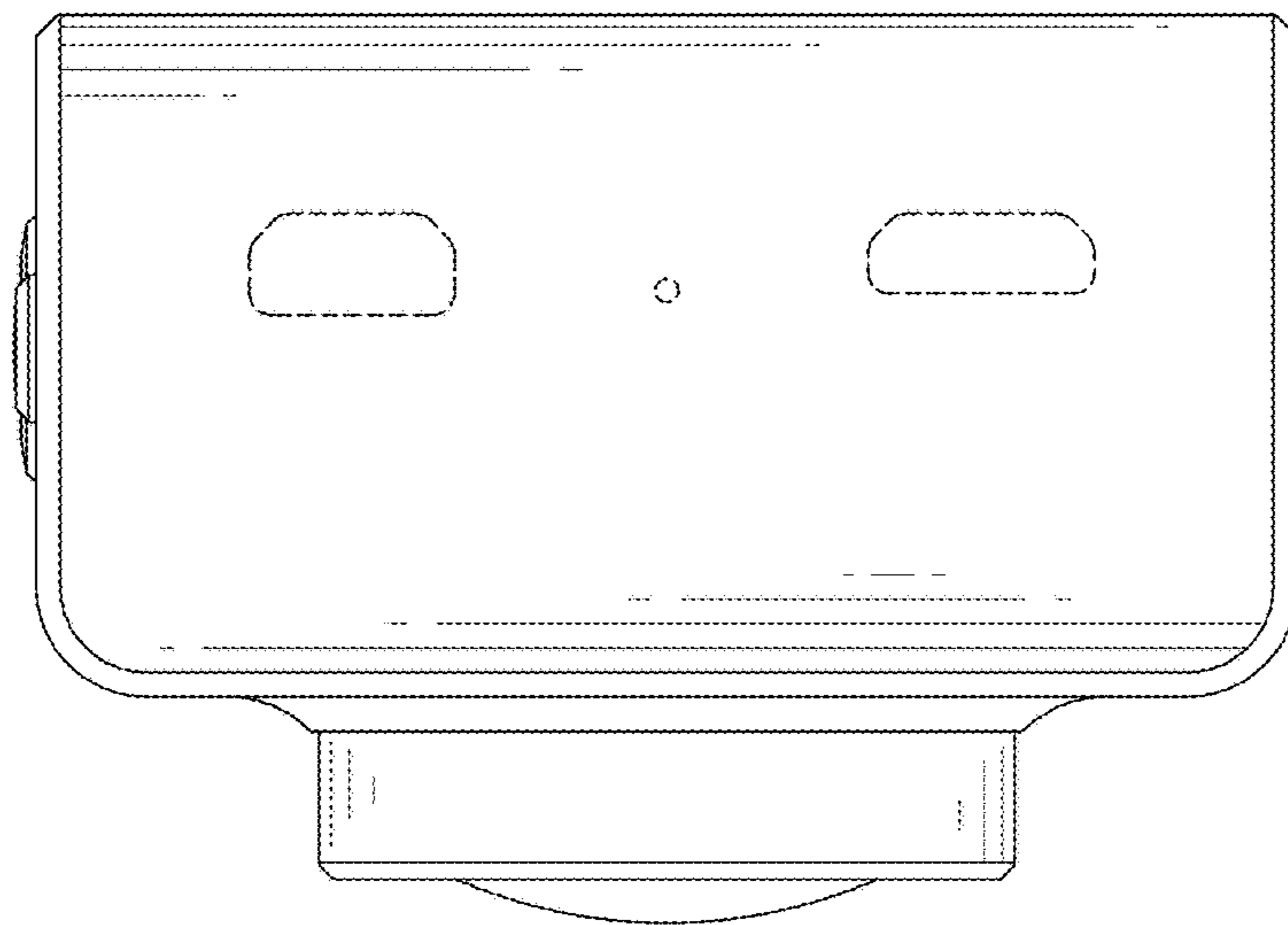


FIG. 5

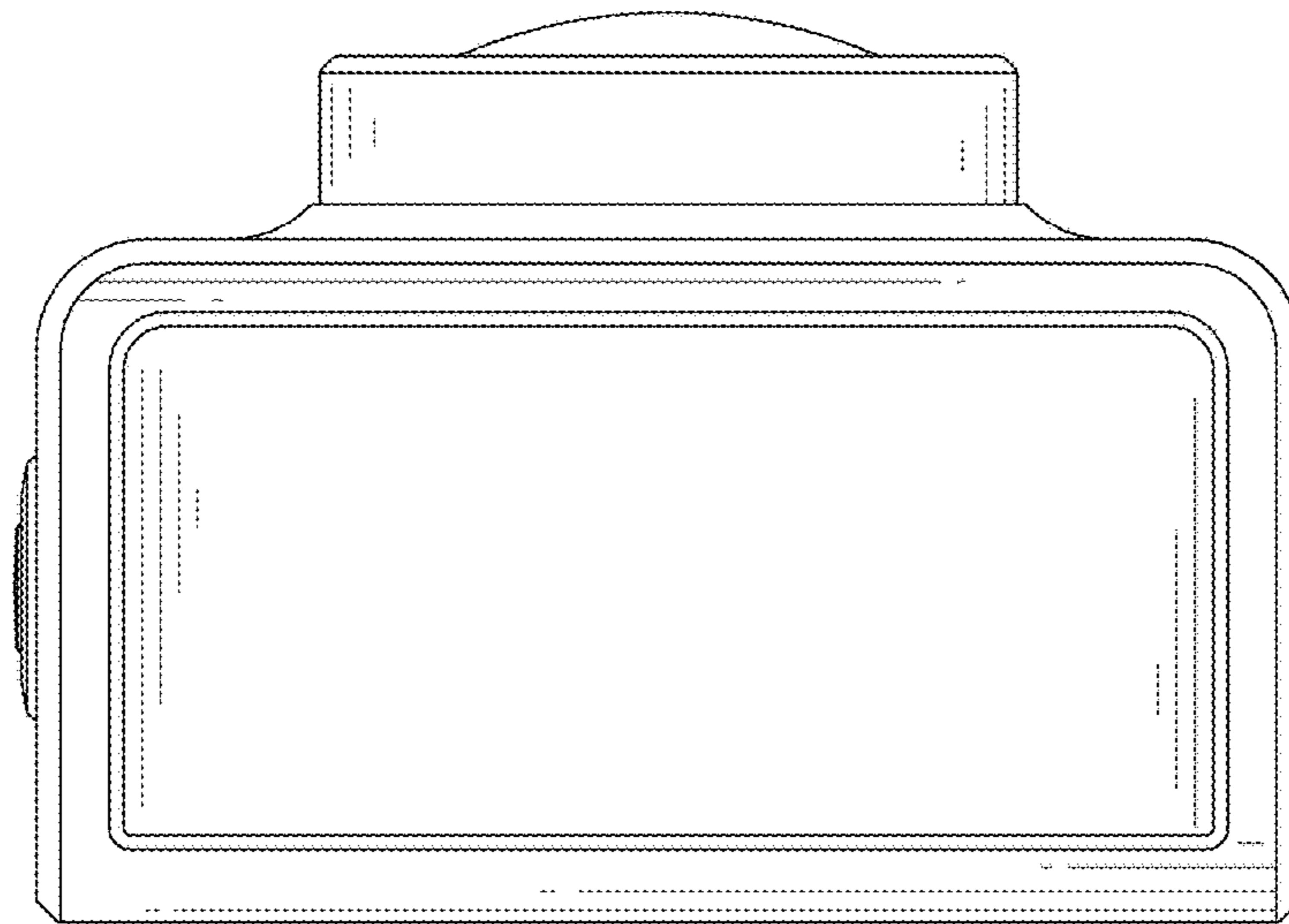


FIG. 6

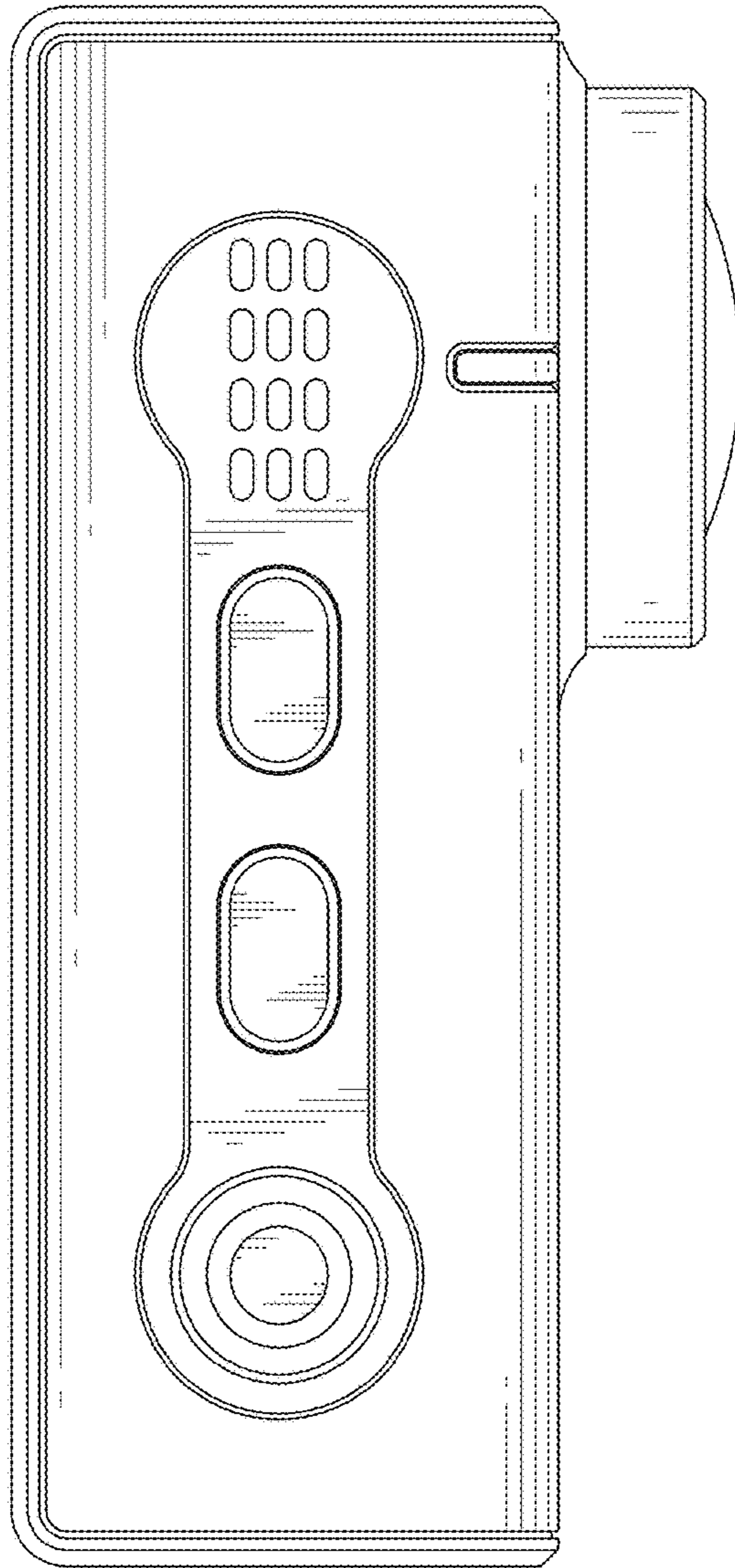


FIG. 7

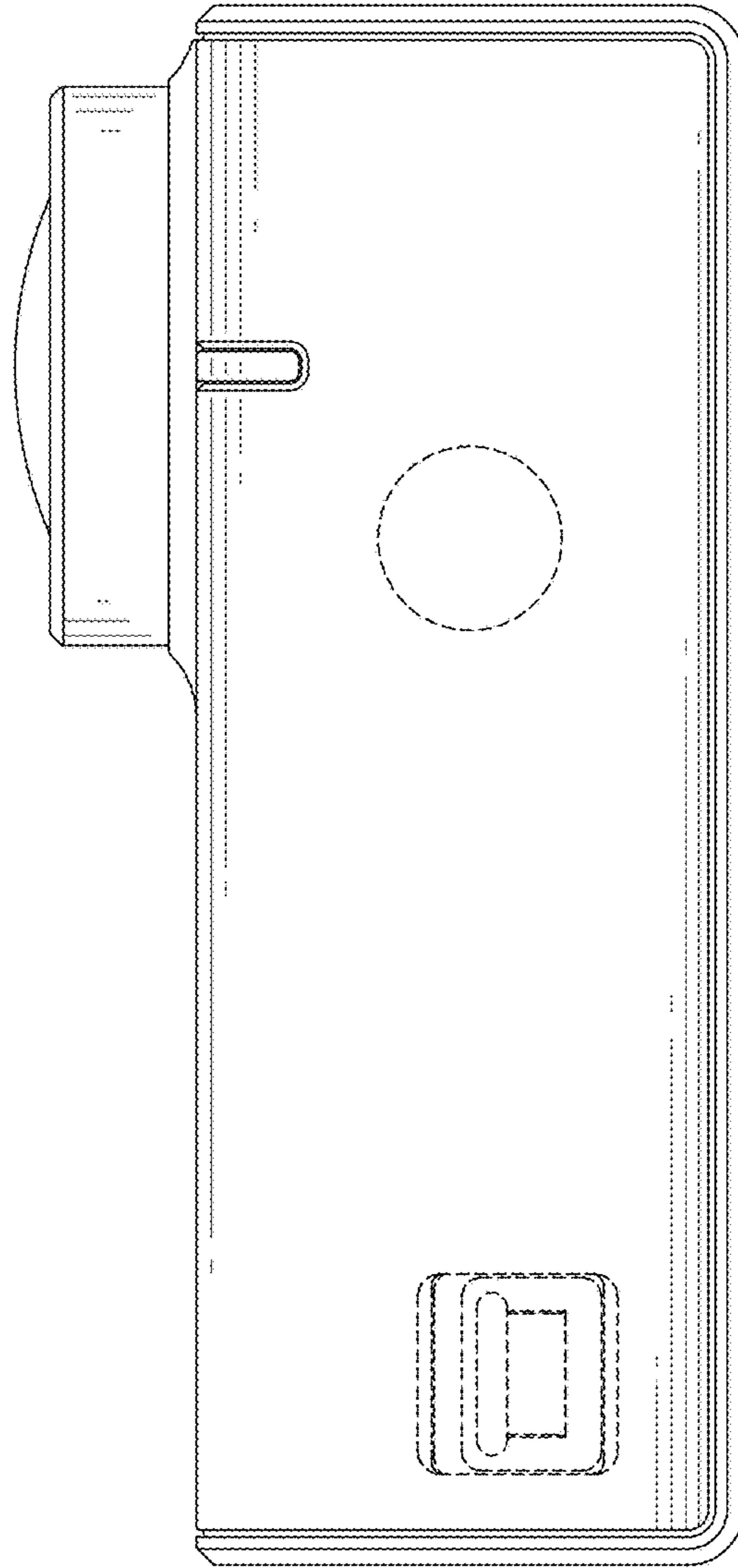


FIG. 8