

US00D836695S

(12) **United States Design Patent** (10) **Patent No.:** **US D836,695 S**
Kawa (45) **Date of Patent:** **** Dec. 25, 2018**

(54) **DIGITAL CAMERA**
(71) Applicant: **Toshihiko Kawa**, Ohta-ku (JP)
(72) Inventor: **Toshihiko Kawa**, Ohta-ku (JP)
(73) Assignee: **Ricoh Company, Ltd.**, Tokyo (JP)
(**) Term: **15 Years**
(21) Appl. No.: **29/594,809**
(22) Filed: **Feb. 22, 2017**

(30) **Foreign Application Priority Data**

Dec. 20, 2016 (JP) 2016-027530

(51) **LOC (11) Cl.** **16-01**

(52) **U.S. Cl.**
USPC **D16/202**

(58) **Field of Classification Search**
USPC D16/200, 202–205, 208, 214, 218, 219;
348/14.01–14.06, 143, 148, 151,
348/373–376; 396/419, 427, 535,
396/539–541
CPC G03B 17/02; G03B 19/04; G03B 17/56;
G03B 17/04; G03B 15/03; H04N 5/2251;
H04N 5/2252; H04N 5/2253; H04N
5/2254; H04N 2007/145; H04N 7/141;
H04N 7/142; H04N 7/147; H04N 7/148;
H04N 7/15; H04N 7/152
See application file for complete search history.

(56) **References Cited**

U.S. PATENT DOCUMENTS

D458,290 S * 6/2002 Tu D16/202
D463,468 S * 9/2002 Fujita D16/202

D519,141 S * 4/2006 Hayashi D16/202
7,480,005 B2 * 1/2009 Jeon H04N 5/2252
348/207.99
D612,882 S * 3/2010 Kim D16/202
D638,458 S * 5/2011 Miyamori D16/202
D641,771 S * 7/2011 Sasaki D16/202
D659,732 S * 5/2012 Kim D16/202
D666,658 S * 9/2012 Furlan D16/202
D671,584 S * 11/2012 Ohno D16/202
D698,841 S * 2/2014 Lee D16/202
D746,350 S * 12/2015 Li D16/203
D754,231 S * 4/2016 Murray D16/202

* cited by examiner

Primary Examiner — Philip S Hyder
Assistant Examiner — Ramzi S Almatrahi
(74) *Attorney, Agent, or Firm* — Oblon, McClelland,
Maier & Neustadt, L.L.P.

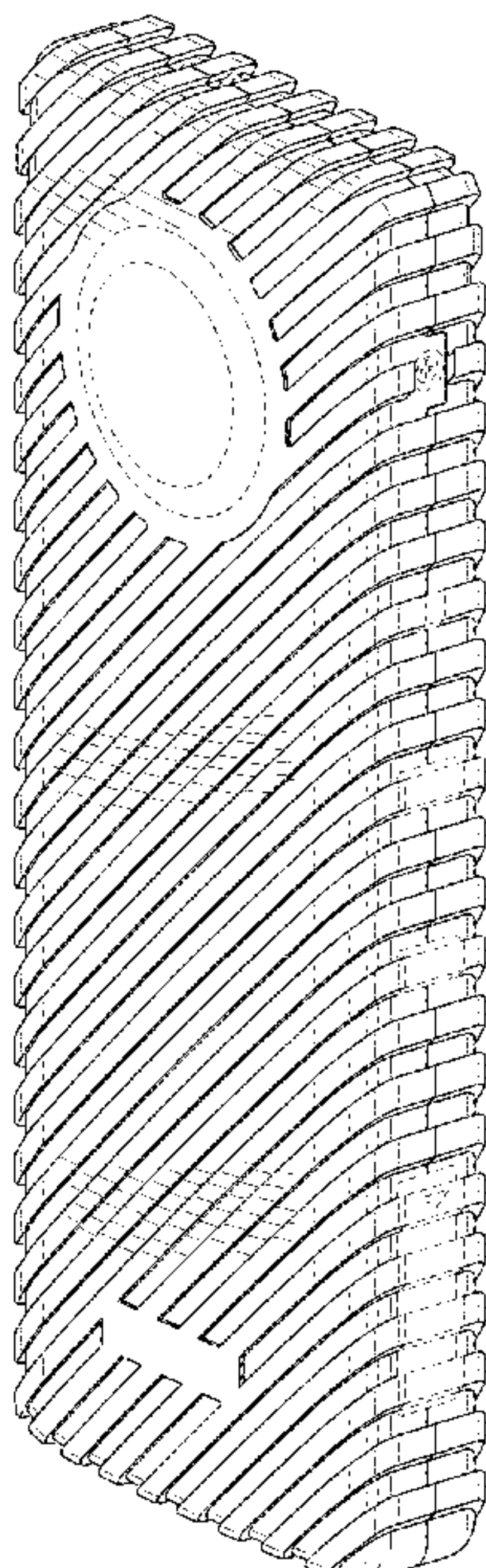
(57) **CLAIM**

The ornamental design for a digital camera, as shown and described.

DESCRIPTION

FIG. 1 is a top, front and right side perspective view of a digital camera showing my new design; FIG. 2 is a front elevational view thereof; FIG. 3 is a rear elevational view thereof; FIG. 4 is a left side elevational view thereof; FIG. 5 is a right side elevational view thereof; FIG. 6 is a top plan view thereof; and, FIG. 7 is a bottom plan view thereof. The broken lines in the figures represent unclaimed subject matter and form no part of the claimed design.

1 Claim, 6 Drawing Sheets



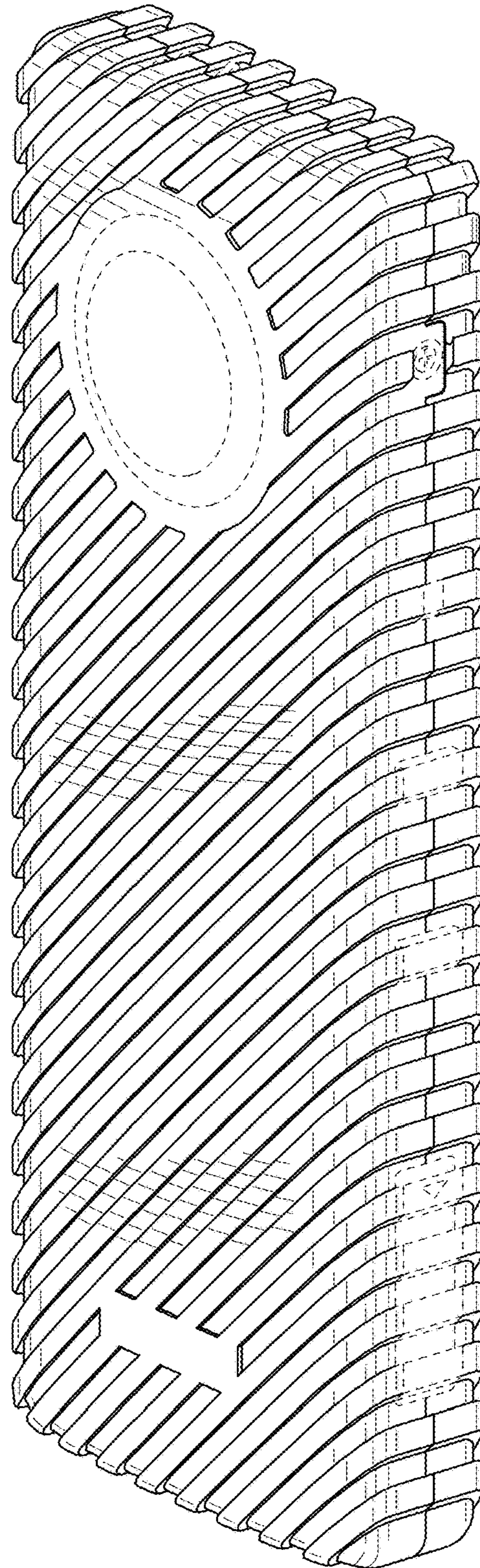


Fig. 1

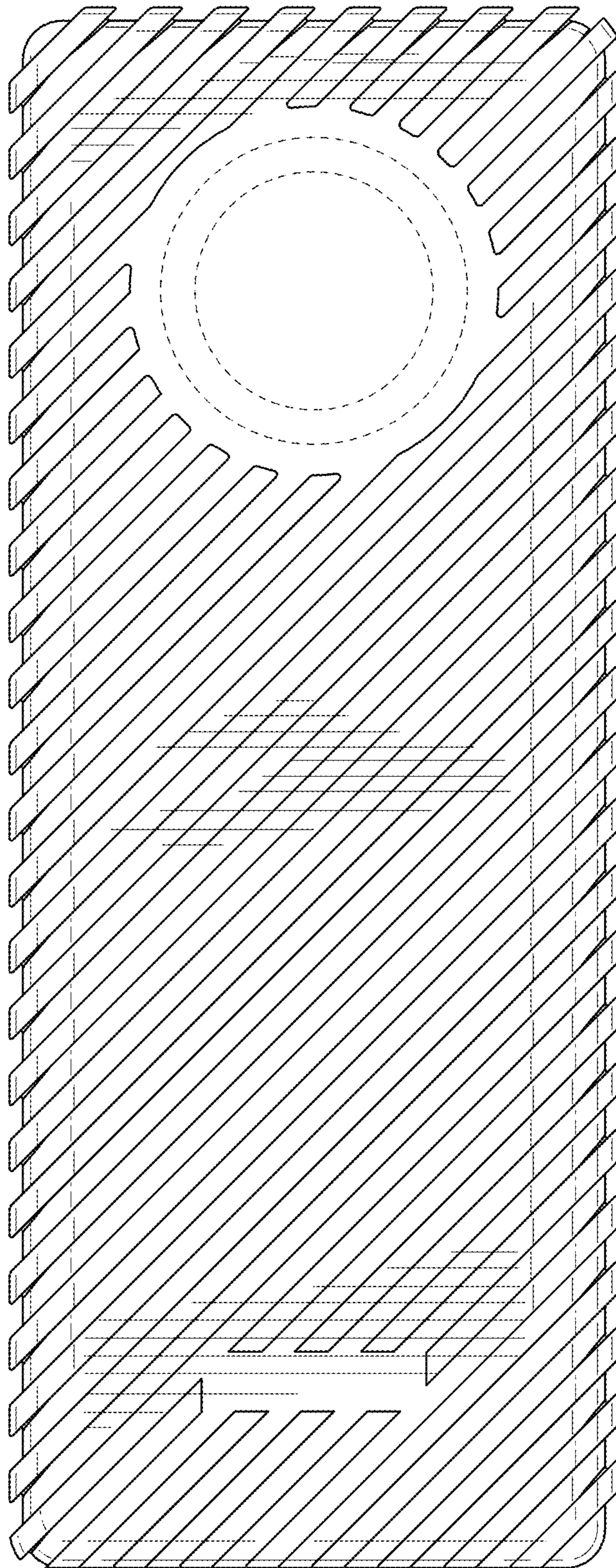


Fig.2

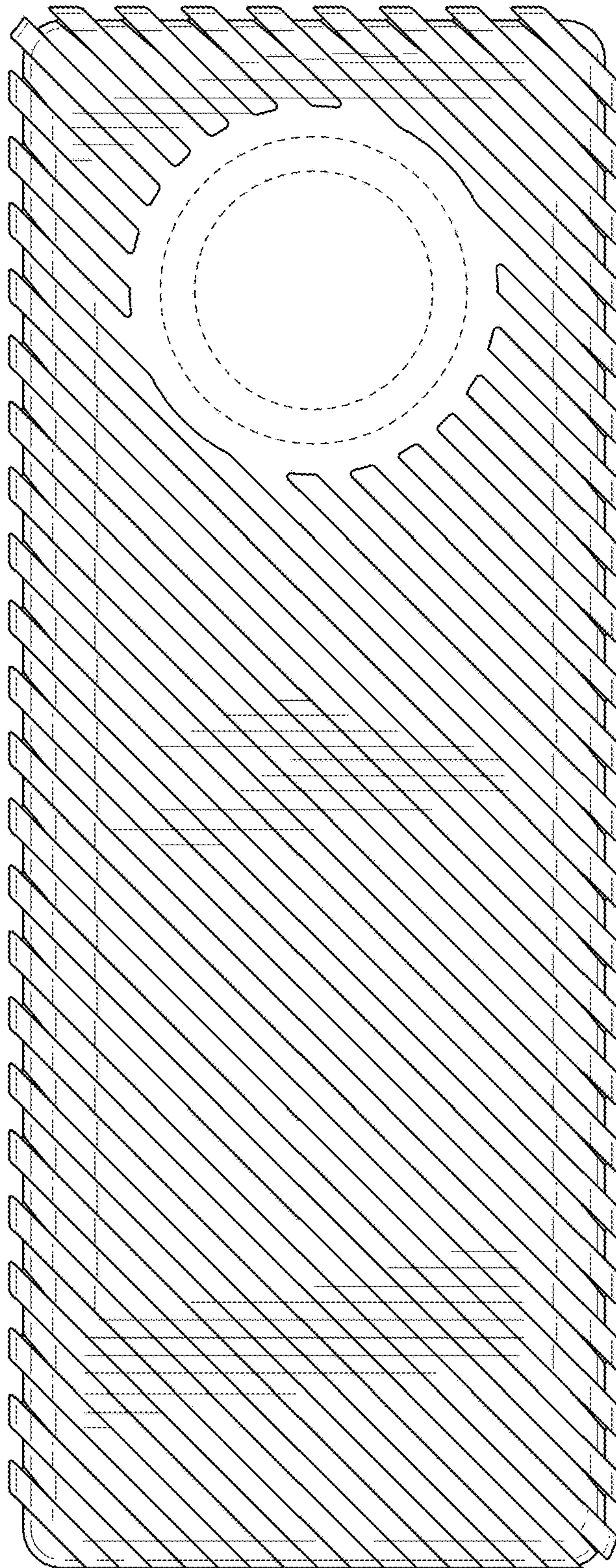


Fig. 3

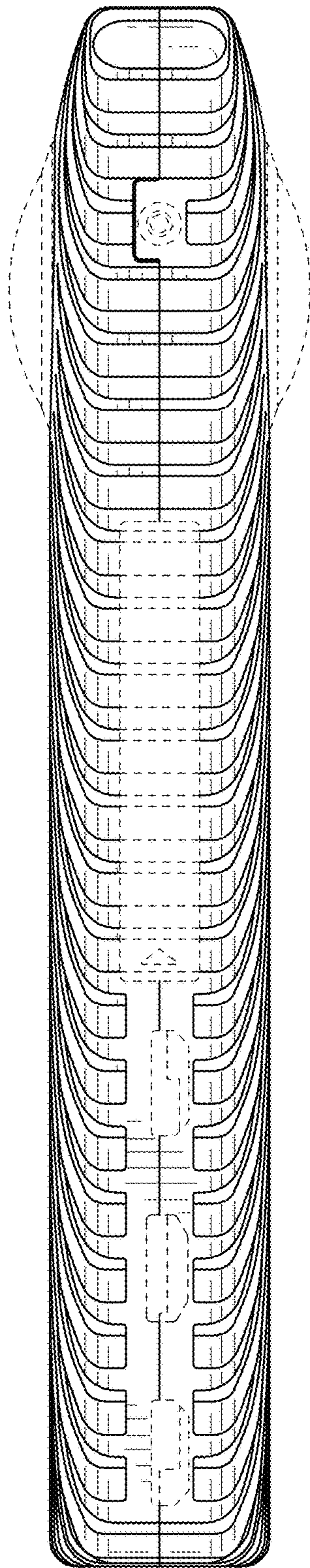


Fig. 4

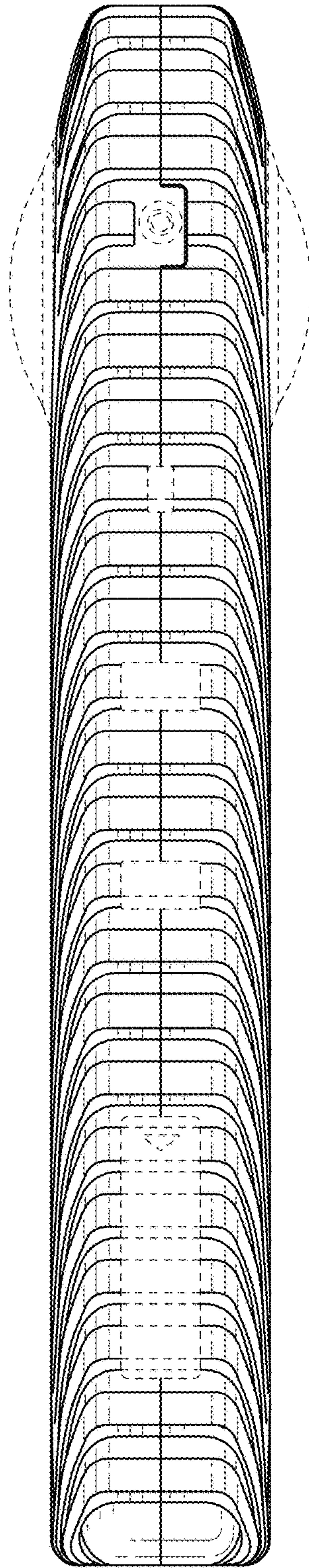


Fig. 5

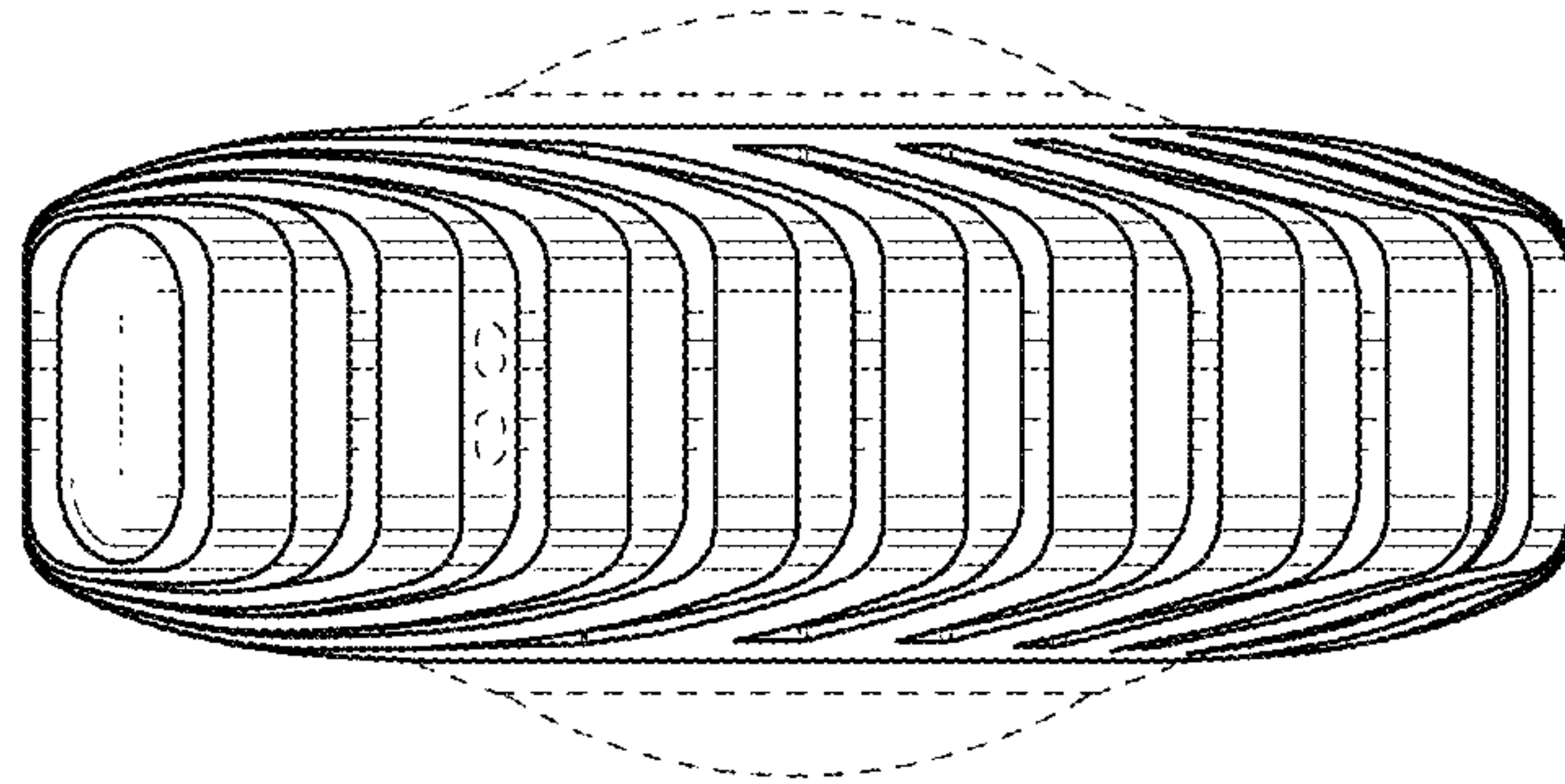


Fig. 6

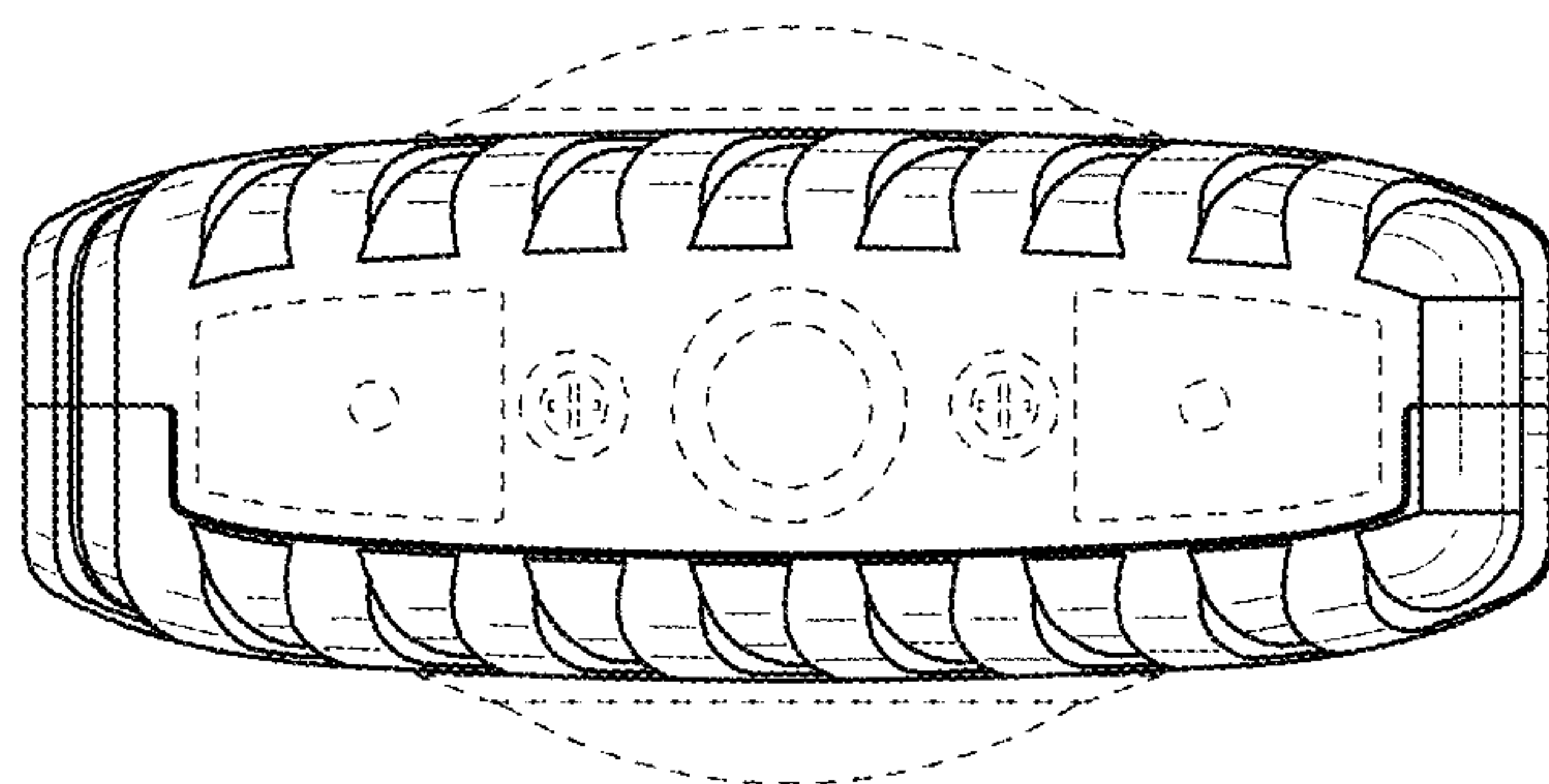


Fig. 7