



US00D836693S

(12) **United States Design Patent** (10) **Patent No.:** **US D836,693 S**  
**Matuschek et al.** (45) **Date of Patent:** **\*\* Dec. 25, 2018**

(54) **STAND FOR A SURGICAL MICROSCOPE**

(71) Applicant: **Carl Zeiss Meditec AG**, Jena (DE)

(72) Inventors: **Walter Matuschek**, Aalen (DE);  
**Zhenhua Chu**, Suzhou (CN);  
**Shuanghu Zhang**, Suzhou (CN)

(73) Assignee: **Carl Zeiss Meditec AG**, Jena (DE)

(\*\*) Term: **14 Years**

(21) Appl. No.: **29/511,573**

(22) Filed: **Dec. 11, 2014**

(30) **Foreign Application Priority Data**

Jun. 30, 2014 (CN) ..... 2014 3 0212134

(51) **LOC (11) Cl.** ..... **16-06**

(52) **U.S. Cl.**  
USPC ..... **D16/131**

(58) **Field of Classification Search**  
USPC ..... 248/123.2, 292.11, 281.11, 280.11;  
359/382, 384, 388, 362, 363, 368, 372;  
D16/130-136

CPC ..... G02B 21/00; G02B 21/002; G02B 21/06;  
G02B 21/082; G02B 21/008; G02B  
21/12; G02B 21/16; G02B 21/14; G02B  
21/24; G02B 21/26; G02B 21/241; G02B  
21/365; G02B 21/0004; G02B 21/0016;  
G02B 21/0024; G02B 21/0044; G02B  
21/0082; G02B 21/0088

See application file for complete search history.

(56) **References Cited**

**U.S. PATENT DOCUMENTS**

- 3,809,454 A \* 5/1974 Brambring ..... A61G 15/00  
297/217.1
- 4,241,891 A \* 12/1980 Rudolph ..... G10K 11/352  
248/123.2
- 5,074,651 A \* 12/1991 Nagamine ..... G02B 21/20  
359/368

(Continued)

**OTHER PUBLICATIONS**

Representation of Suspension System S7 in "OPMI PROergo Experience New Dimensions", pp. 7, 10-15, 18; Carl Zeiss Meditec, Inc., Dublin, CA 94568, USA; DS-NR.: 30-187/I-e/USA; publication year 2007.

(Continued)

*Primary Examiner* — Sandra S Snapp

*Assistant Examiner* — Holly E. Thurman

(74) *Attorney, Agent, or Firm* — Walter Ottesen, P.A.

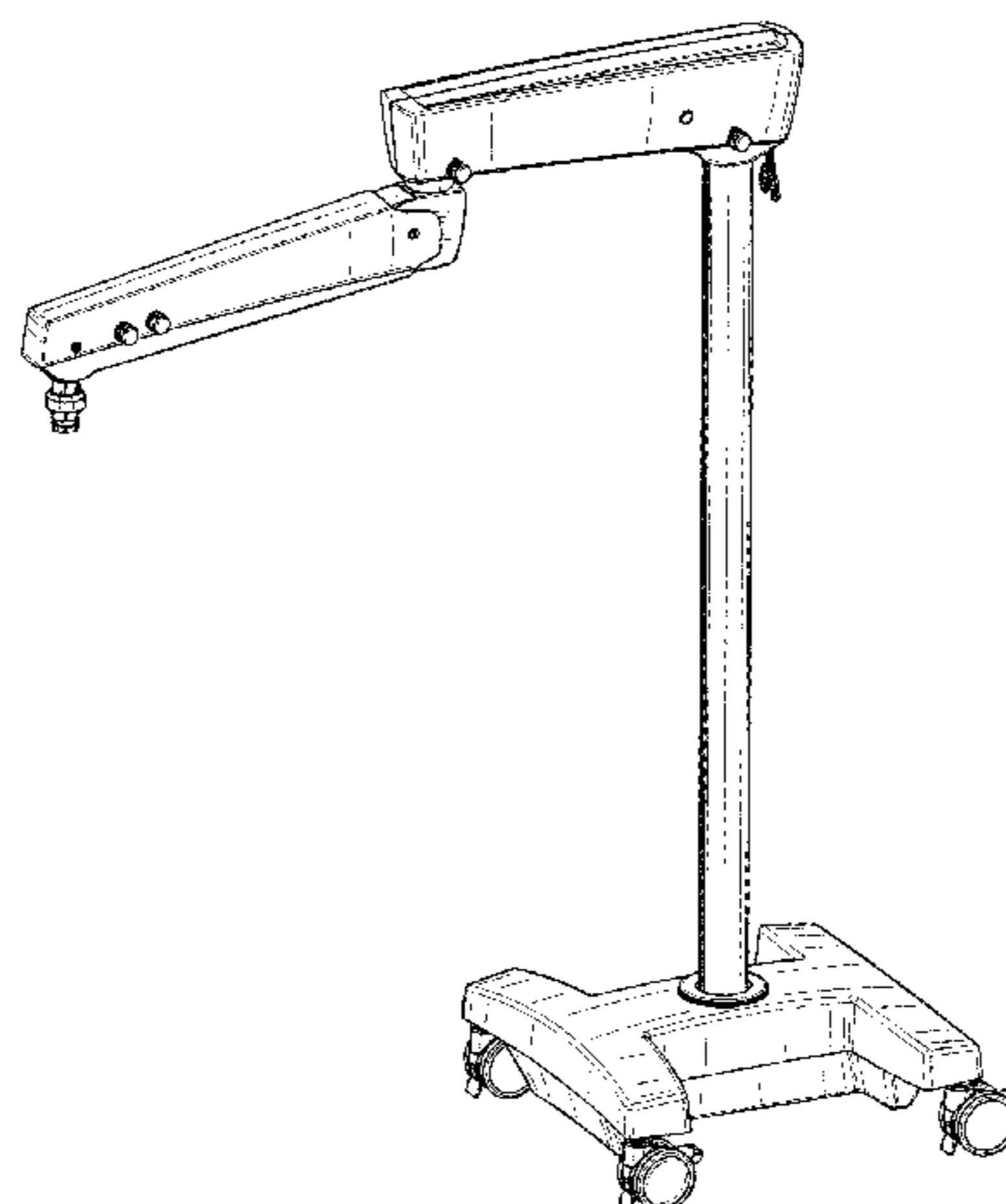
(57) **CLAIM**

The ornamental design for a stand for a surgical microscope, as shown and described.

**DESCRIPTION**

FIG. 1 is a right side elevation view of the stand for a surgical microscope of our new design;  
FIG. 2 is a top plan view of the stand for a surgical microscope of FIG. 1;  
FIG. 3 is a left side elevation view of the stand for a surgical microscope of FIG. 1;  
FIG. 4 is a bottom plan view of the stand for a surgical microscope of FIG. 1;  
FIG. 5 is a front elevation view of the stand for a surgical microscope of FIG. 1;  
FIG. 6 is a rear elevation view of the stand for a surgical microscope of FIG. 1;  
FIG. 7 is a first perspective view of the stand for a surgical microscope of FIG. 1; and,  
FIG. 8 is a second perspective view of the stand for a surgical microscope of FIG. 1.  
The broken lines in FIG. 4 depict parts of the stand for a surgical microscope that form no part of the claimed design.

**1 Claim, 8 Drawing Sheets**



(56)

References Cited

U.S. PATENT DOCUMENTS

5,173,802 A \* 12/1992 Heller ..... F16M 11/04  
359/384  
5,186,422 A \* 2/1993 Nakamura ..... F16M 11/04  
248/123.2  
5,288,043 A \* 2/1994 Tigliev ..... F16L 3/00  
248/123.11  
5,332,181 A \* 7/1994 Schweizer ..... A61B 6/4405  
248/123.11  
D378,315 S \* 3/1997 Schwaegerle ..... D24/172  
5,667,186 A \* 9/1997 Luber ..... F16M 11/04  
248/123.11  
5,748,366 A \* 5/1998 Yasunaga ..... G02B 21/0012  
359/363  
6,050,530 A \* 4/2000 Nakamura ..... F16M 11/08  
248/123.2  
6,434,416 B1 \* 8/2002 Mizoguchi ..... G02B 21/0012  
359/372  
6,471,165 B2 \* 10/2002 Twisselmann ..... F16M 11/04  
248/123.11  
6,646,798 B2 \* 11/2003 Schmidt ..... G02B 7/001  
248/281.11  
6,833,950 B2 \* 12/2004 Schmidt ..... G02B 7/001  
248/281.11  
6,899,307 B2 \* 5/2005 Strauss ..... F16M 11/06  
248/123.11

6,937,390 B2 \* 8/2005 Akiyama ..... A61B 3/13  
351/216  
7,232,222 B2 \* 6/2007 Kogawa ..... A61B 3/13  
351/205  
D623,210 S \* 9/2010 Matuschek ..... D16/131  
D634,344 S \* 3/2011 Nusser ..... D16/131  
D649,992 S \* 12/2011 Nusser ..... D16/131  
D743,036 S \* 11/2015 Boukhny ..... D24/172  
D746,893 S \* 1/2016 Dong ..... D16/135  
D758,465 S \* 6/2016 Matuschek ..... D16/131  
2005/0109903 A1 \* 5/2005 Strauss ..... F16M 11/06  
248/280.11  
2009/0219613 A1 \* 9/2009 Enge ..... G02B 7/001  
359/384  
2011/0134518 A1 \* 6/2011 Doi ..... A61B 90/20  
359/384  
2012/0087006 A1 \* 4/2012 Signaigo ..... A61B 19/5223  
359/375

OTHER PUBLICATIONS

Representation of Suspension System S100 in Time for a change: OPMI pico for ENT, pp. 5-7; Carl Zeiss Surgical GmbH, Oberkochen, Germany; 30-451/III-e; publication year 2005.  
Representation of Suspension System in "OMS2350 Surgical Microscope for ENT" Zumax Medical Co., Ltd., Suzhou, CN; publication year 2012, two pages.

\* cited by examiner

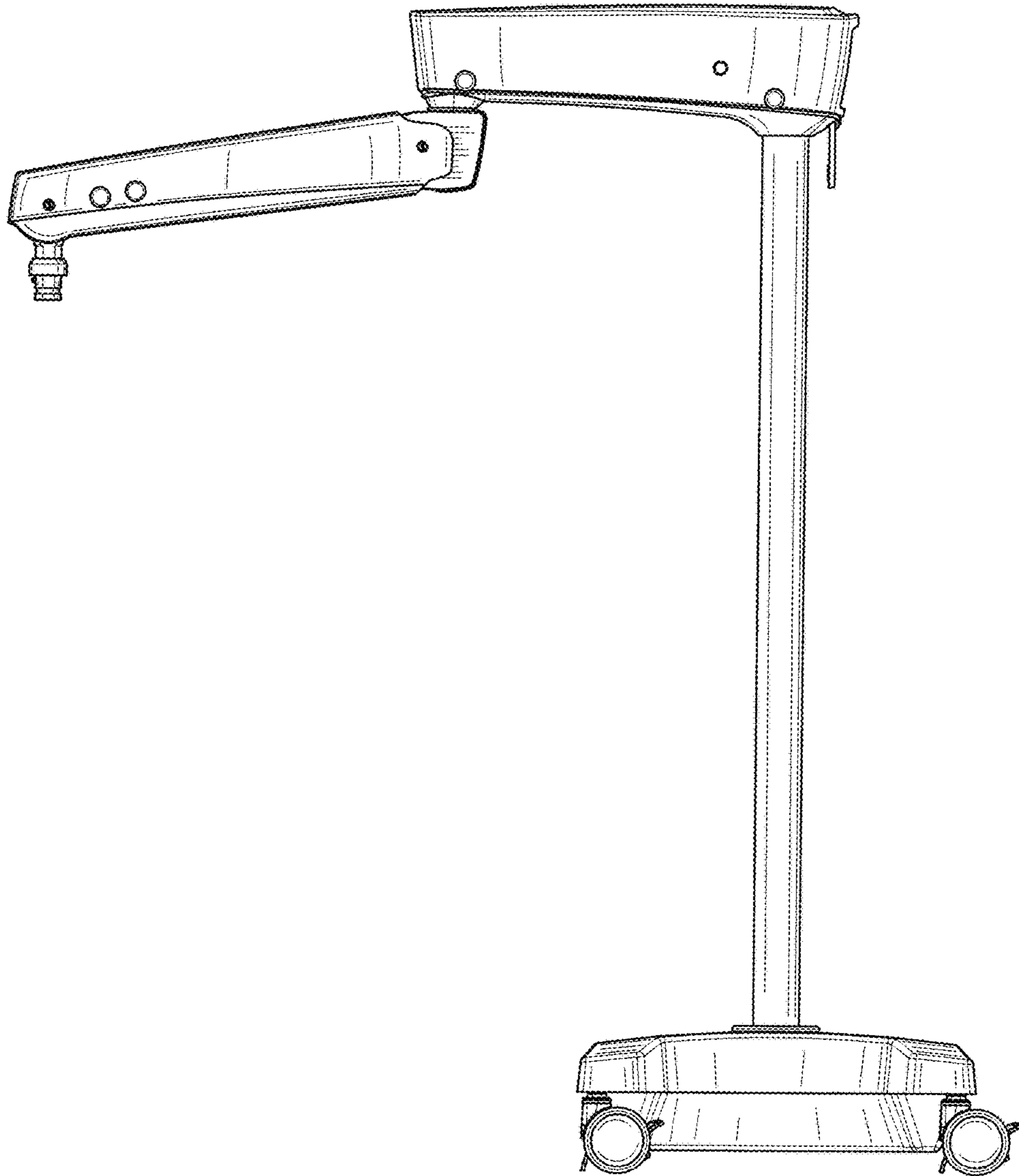


FIG. 1

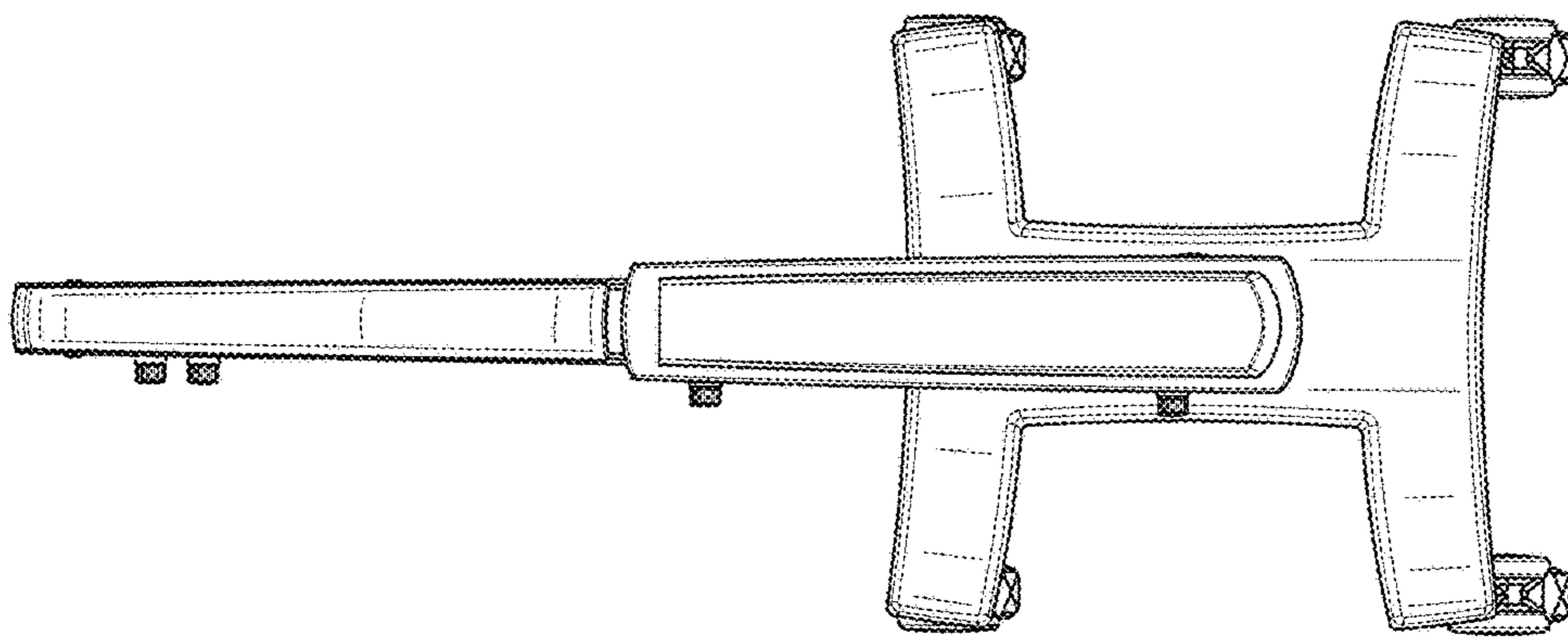


FIG. 2

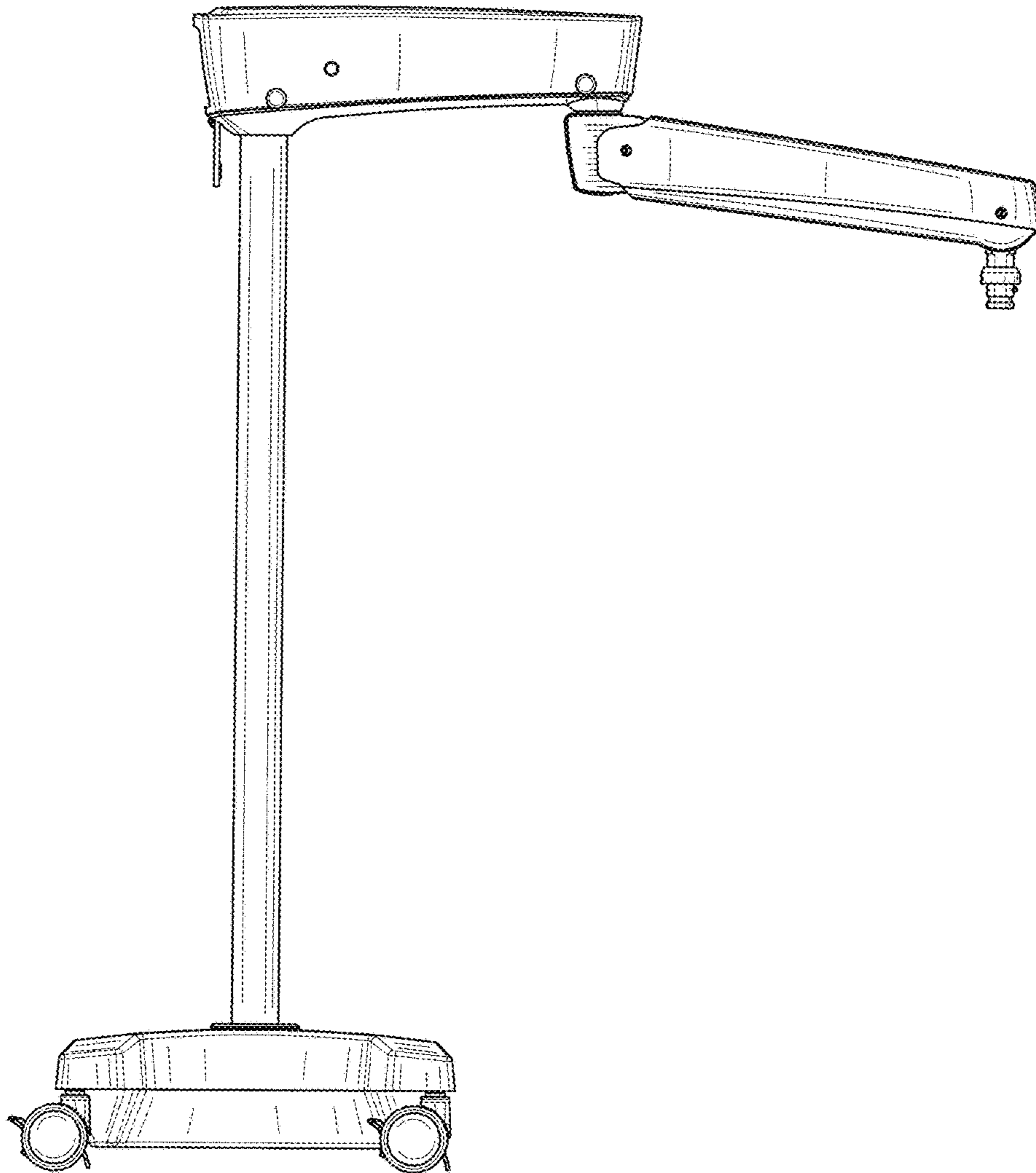


FIG. 3

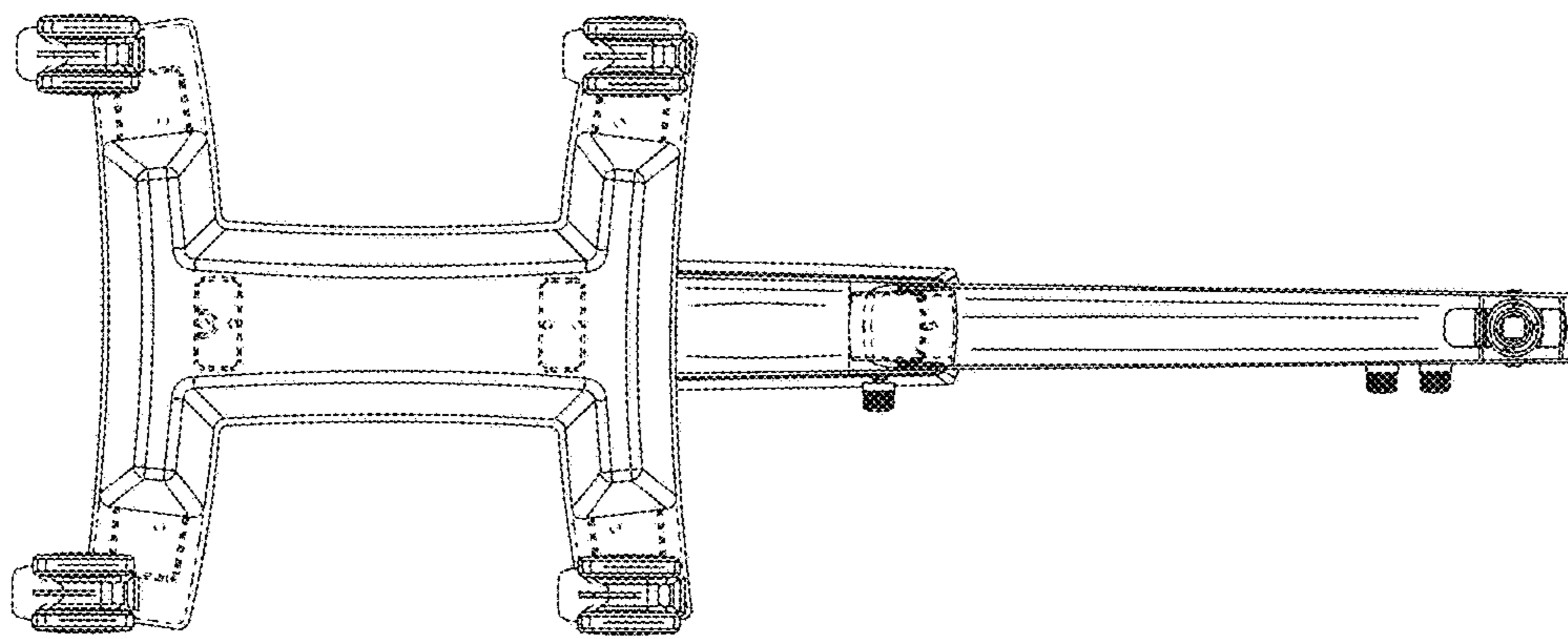


FIG. 4

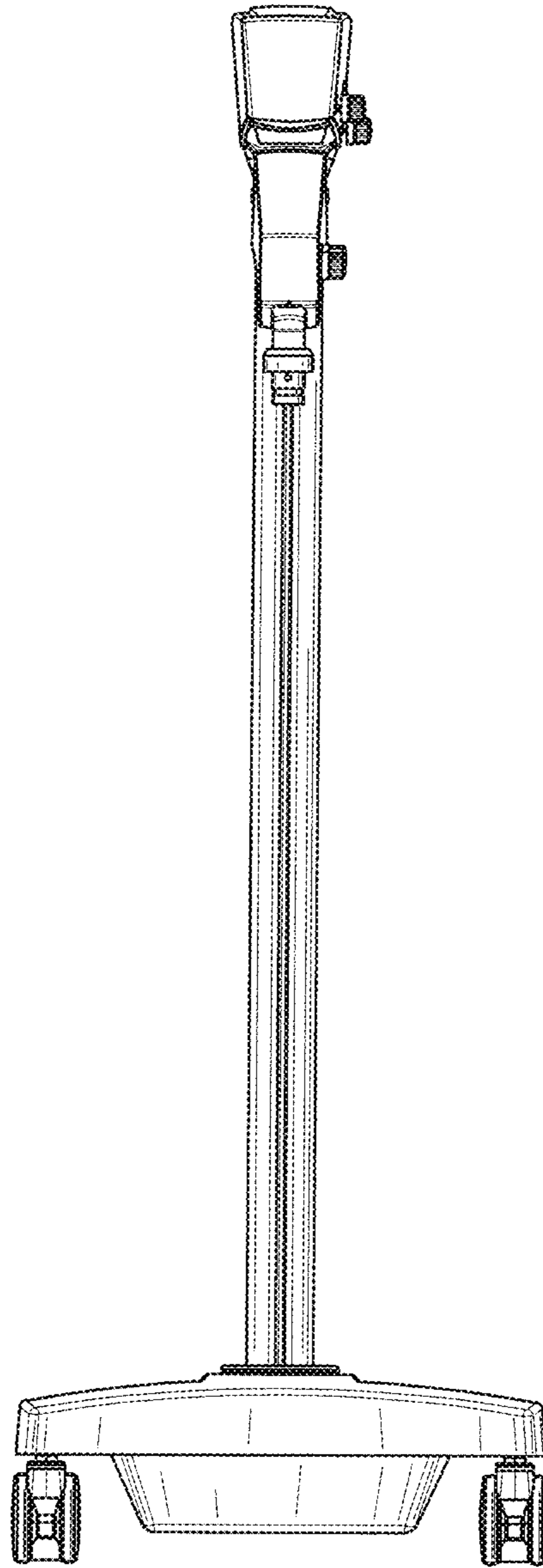


FIG. 5

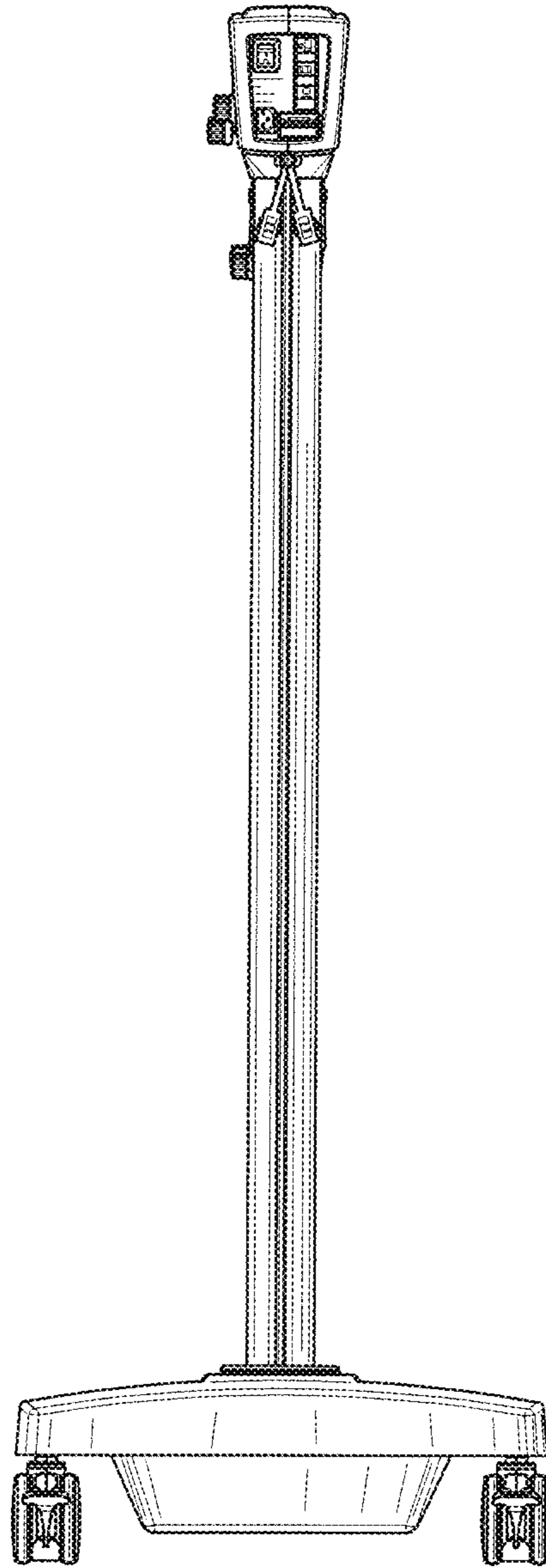


FIG. 6



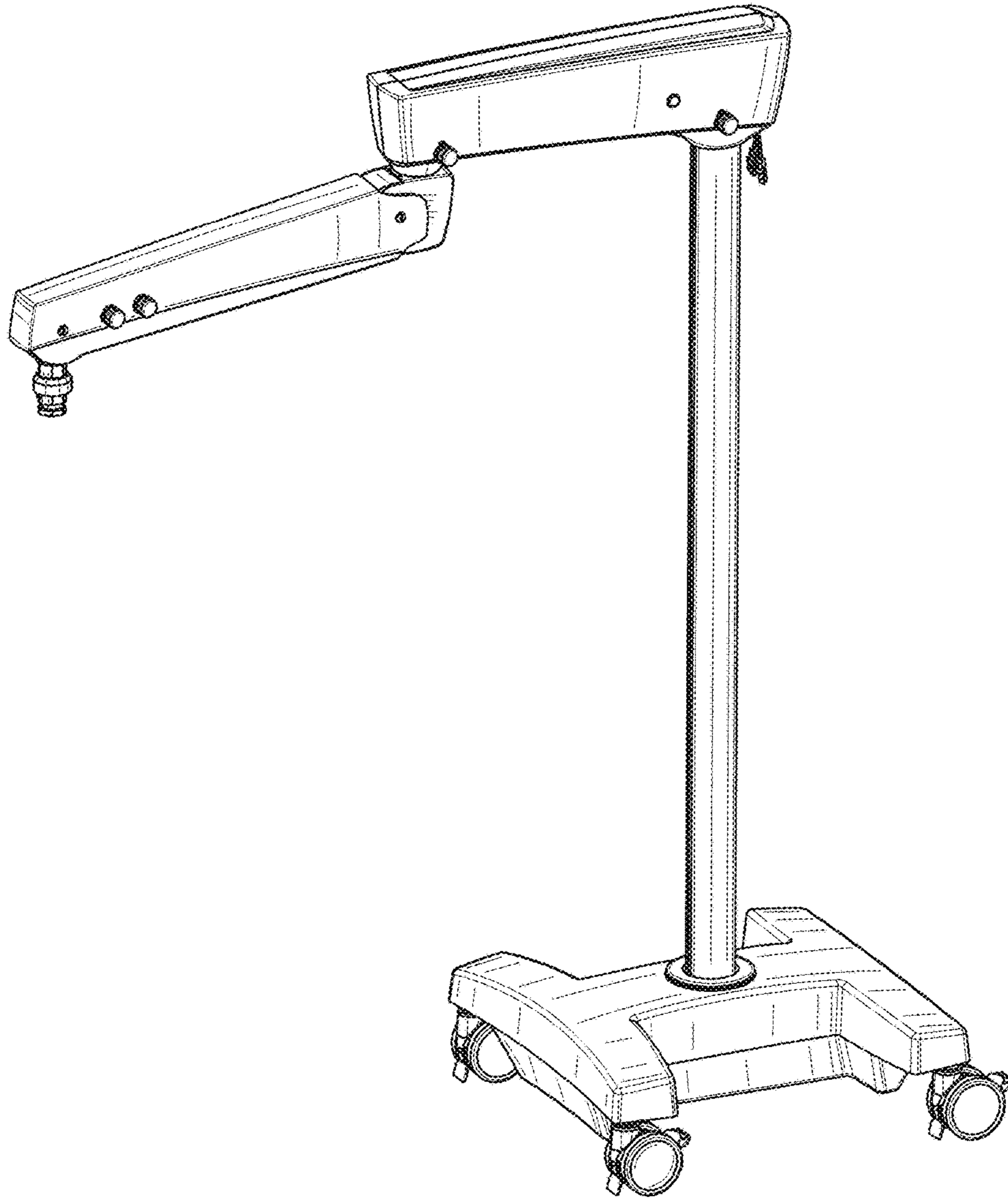


FIG. 7

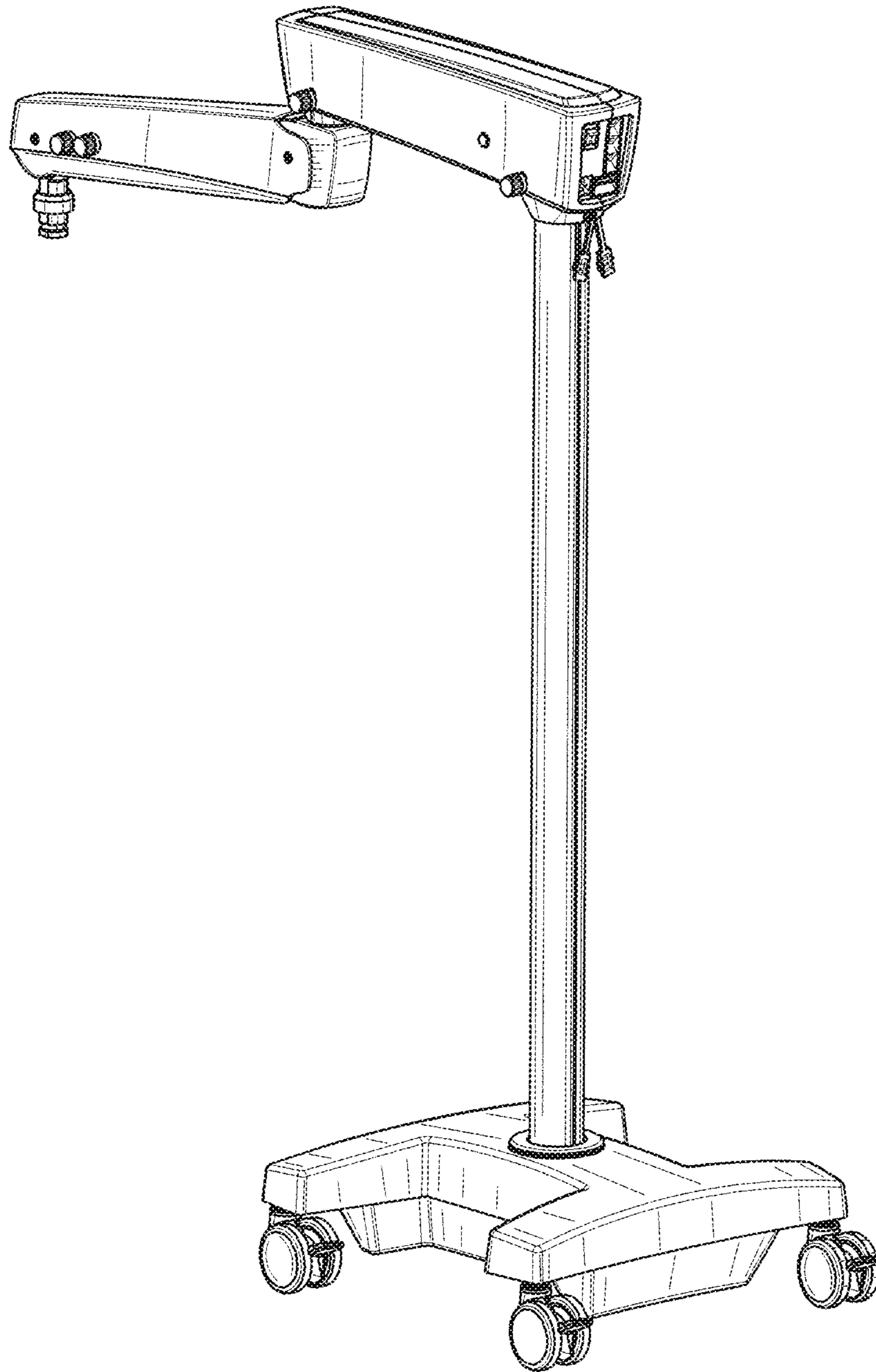


FIG. 8