



US00D836692S

(12) **United States Design Patent** (10) **Patent No.:** **US D836,692 S**  
**Matuschek et al.** (45) **Date of Patent:** **\*\* Dec. 25, 2018**

(54) **SURGICAL MICROSCOPE**

(71) Applicant: **Carl Zeiss Meditec AG**, Jena (DE)

(72) Inventors: **Walter Matuschek**, Aalen (DE); **Xiao Han**, Shanghai (CN)

(73) Assignee: **Carl Zeiss Meditec AG**, Jena (DE)

(\*\*) Term: **14 Years**

(21) Appl. No.: **29/511,568**

(22) Filed: **Dec. 11, 2014**

(30) **Foreign Application Priority Data**

Jun. 30, 2014 (CN) ..... 2014 3 0212271

(51) **LOC (11) Cl.** ..... **16-06**

(52) **U.S. Cl.**  
USPC ..... **D16/131**

(58) **Field of Classification Search**  
USPC ..... 248/123.2, 292.11, 281.11, 280.11;  
359/382, 384, 388, 362, 363, 368, 372;  
D16/130–136

(Continued)

(56) **References Cited**

**U.S. PATENT DOCUMENTS**

3,809,454 A \* 5/1974 Brambring ..... A61G 15/00  
297/217.1  
4,241,891 A \* 12/1980 Rudolph ..... G10K 11/352  
248/123.2

(Continued)

**OTHER PUBLICATIONS**

“OPMI VISU 200 BrightFlex Surgical Microscope—Instructions for use”, G-30-1439-en, Issue 3.0, Carl Zeiss Surgical Products Division, Oberkochen, Germany, Nov. 21, 2002, 20 pages.

*Primary Examiner* — Sandra S Snapp

*Assistant Examiner* — Holly E Thurman

(74) *Attorney, Agent, or Firm* — Walter Ottesen, P.A.

(57) **CLAIM**

The ornamental design for a surgical microscope, as shown and described.

**DESCRIPTION**

FIG. 1 is a front elevation view of a first embodiment of the surgical microscope of our new design;

FIG. 2 is a rear elevation view of the surgical microscope of FIG. 1;

FIG. 3 is a left side elevation view of the surgical microscope of FIG. 1;

FIG. 4 is a right side elevation view of the surgical microscope of FIG. 1;

FIG. 5 is a top plan view of the surgical microscope of FIG. 1;

FIG. 6 is a bottom plan view of the surgical microscope of FIG. 1;

FIG. 7 is a perspective view of the surgical microscope of FIG. 1;

FIG. 8 is a front elevation view of a second embodiment of the surgical microscope of our new design;

FIG. 9 is a rear elevation view of the surgical microscope of FIG. 8;

FIG. 10 is a left side elevation view of the surgical microscope of FIG. 8;

FIG. 11 is a right side elevation view of the surgical microscope of FIG. 8;

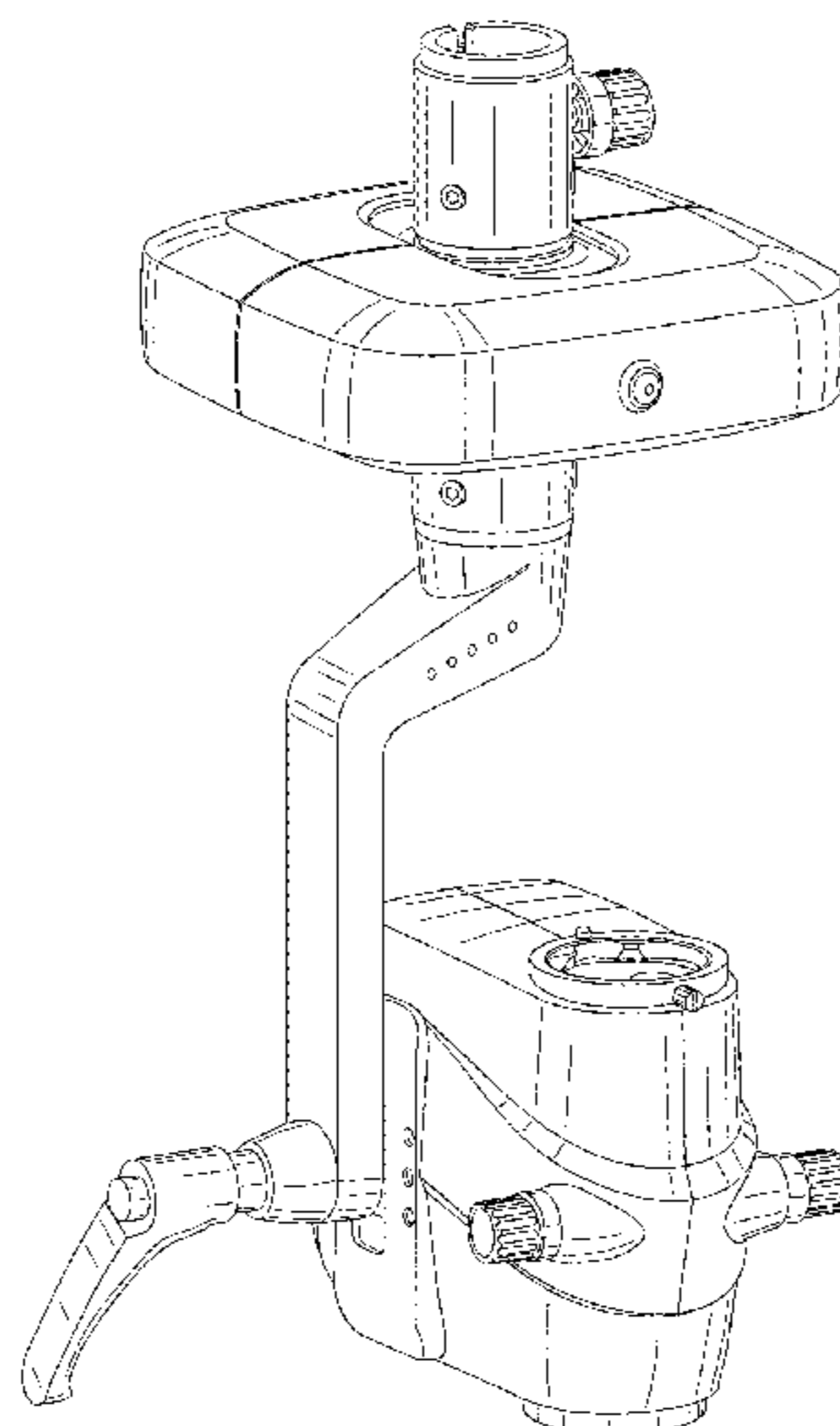
FIG. 12 is a top plan view of the surgical microscope of FIG. 8;

FIG. 13 is a bottom plan view of the surgical microscope of FIG. 8; and,

FIG. 14 is a perspective view of the surgical microscope of FIG. 8.

The broken lines disclose unclaimed portions of the surgical microscope, and form no part of the claimed design.

**1 Claim, 14 Drawing Sheets**



(58) **Field of Classification Search**  
 CPC ..... G02B 21/004; G02B 21/008; G02B  
 21/0088; G02B 21/20; G02B 21/22;  
 G02B 21/24  
 See application file for complete search history.

(56) **References Cited**

U.S. PATENT DOCUMENTS

5,052,789 A *	10/1991	Kleinberg .....	G02B 21/18 359/375
5,074,651 A *	12/1991	Nagamine .....	G02B 21/20 359/368
5,173,802 A *	12/1992	Heller .....	F16M 11/04 359/384
5,186,422 A *	2/1993	Nakamura .....	F16M 11/04 248/123.2
5,288,043 A *	2/1994	Tigliiev .....	F16L 3/00 248/123.11
5,332,181 A *	7/1994	Schweizer .....	A61B 6/4405 248/123.11
5,667,186 A *	9/1997	Luber .....	F16M 11/04 248/123.11
5,748,366 A *	5/1998	Yasunaga .....	G02B 21/0012 359/363
5,861,983 A *	1/1999	Twisselman .....	G02B 7/001 359/368
6,050,530 A *	4/2000	Nakamura .....	F16M 11/08 248/123.2
6,434,416 B1 *	8/2002	Mizoguchi .....	G02B 21/0012 359/372
6,471,165 B2 *	10/2002	Twisselmann .....	F16M 11/04 248/123.11
6,646,798 B2 *	11/2003	Schmidt .....	G02B 7/001 248/281.11
6,833,950 B2 *	12/2004	Schmidt .....	G02B 7/001 248/281.11
6,899,307 B2 *	5/2005	Strauss .....	F16M 11/06 248/123.11
6,937,390 B2 *	8/2005	Akiyama .....	A61B 3/13 351/216
7,232,222 B2 *	6/2007	Kogawa .....	A61B 3/13 351/205
D623,210 S *	9/2010	Matuschek .....	D16/131
D634,344 S *	3/2011	Nusser .....	D16/131
D637,219 S *	5/2011	Nusser .....	D16/131
D650,405 S *	12/2011	Nusser .....	D16/131
D666,653 S *	9/2012	Nusser .....	D16/131
D743,036 S *	11/2015	Boukhny .....	D24/172
D746,893 S *	1/2016	Dong .....	D16/135
D758,465 S *	6/2016	Matuschek .....	D16/131

\* cited by examiner

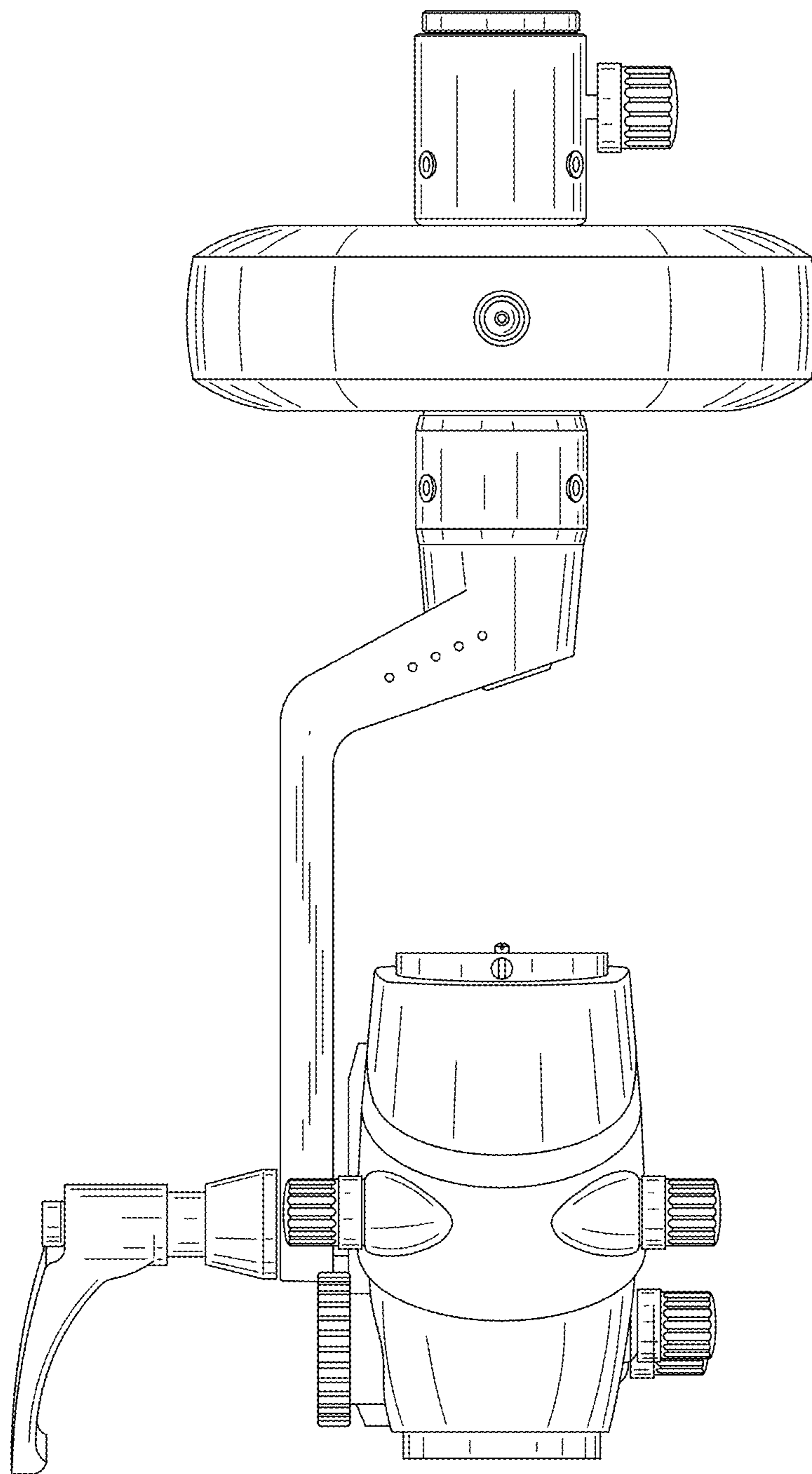


FIG. 1

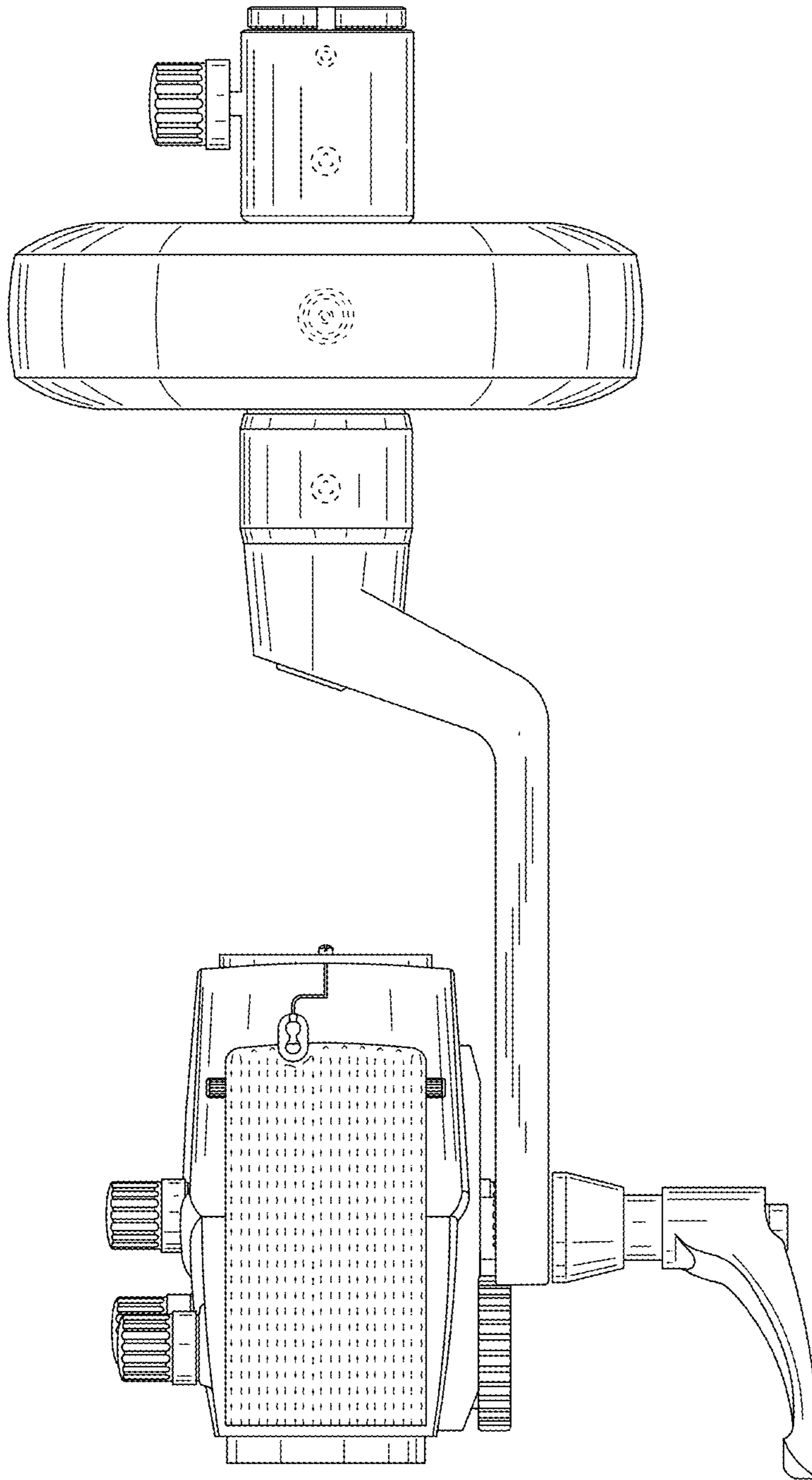


FIG. 2

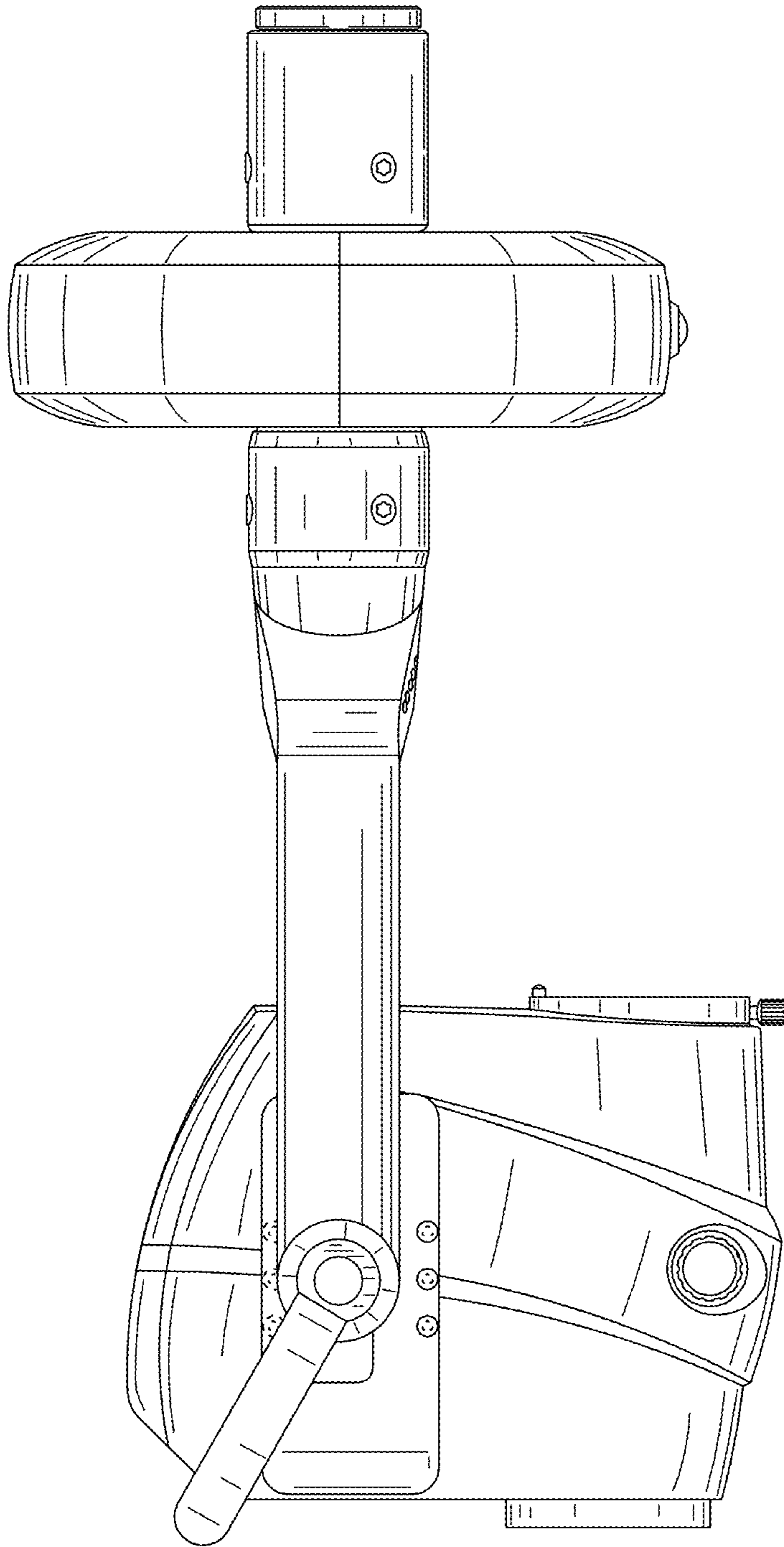


FIG. 3

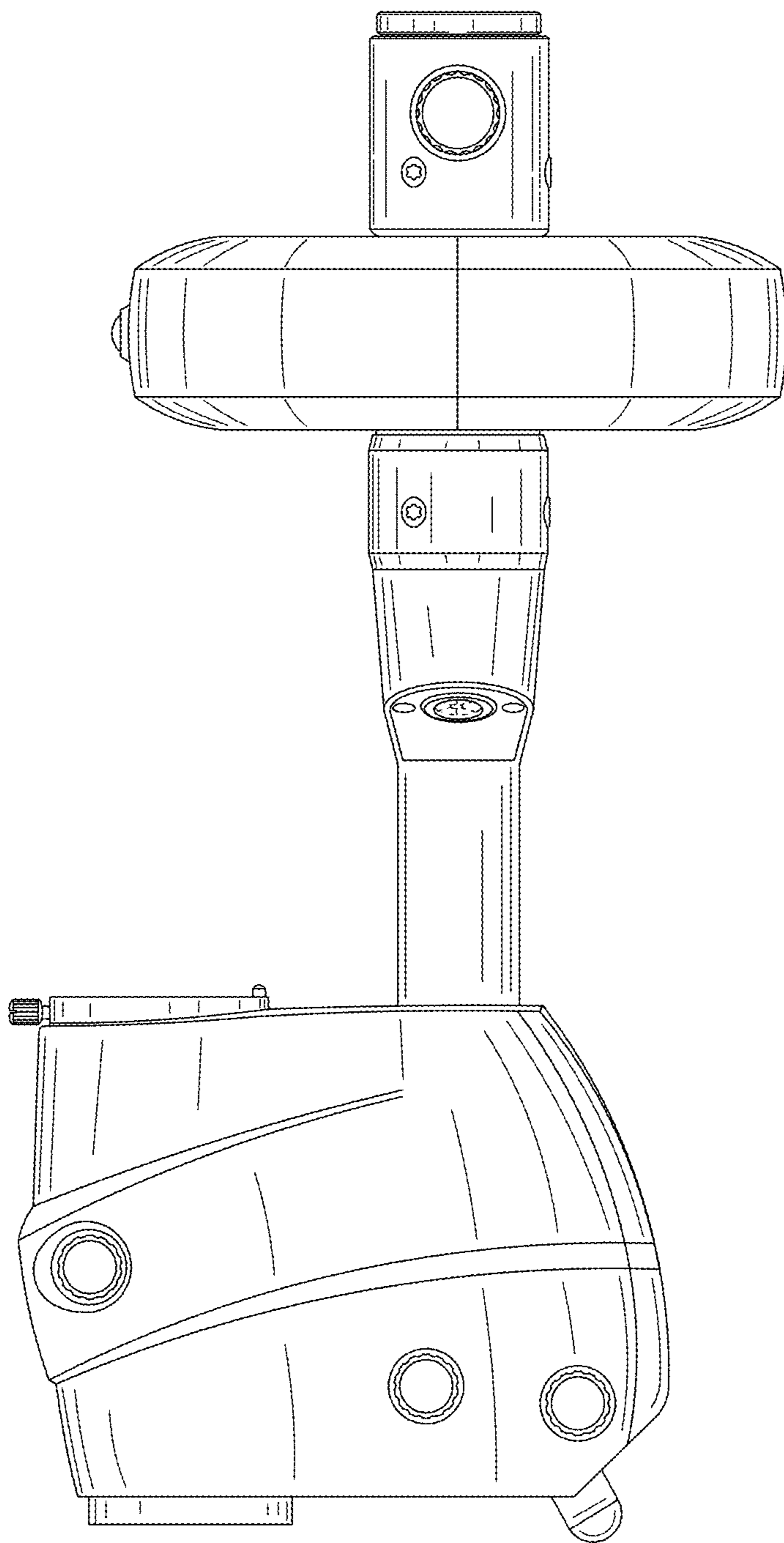


FIG. 4

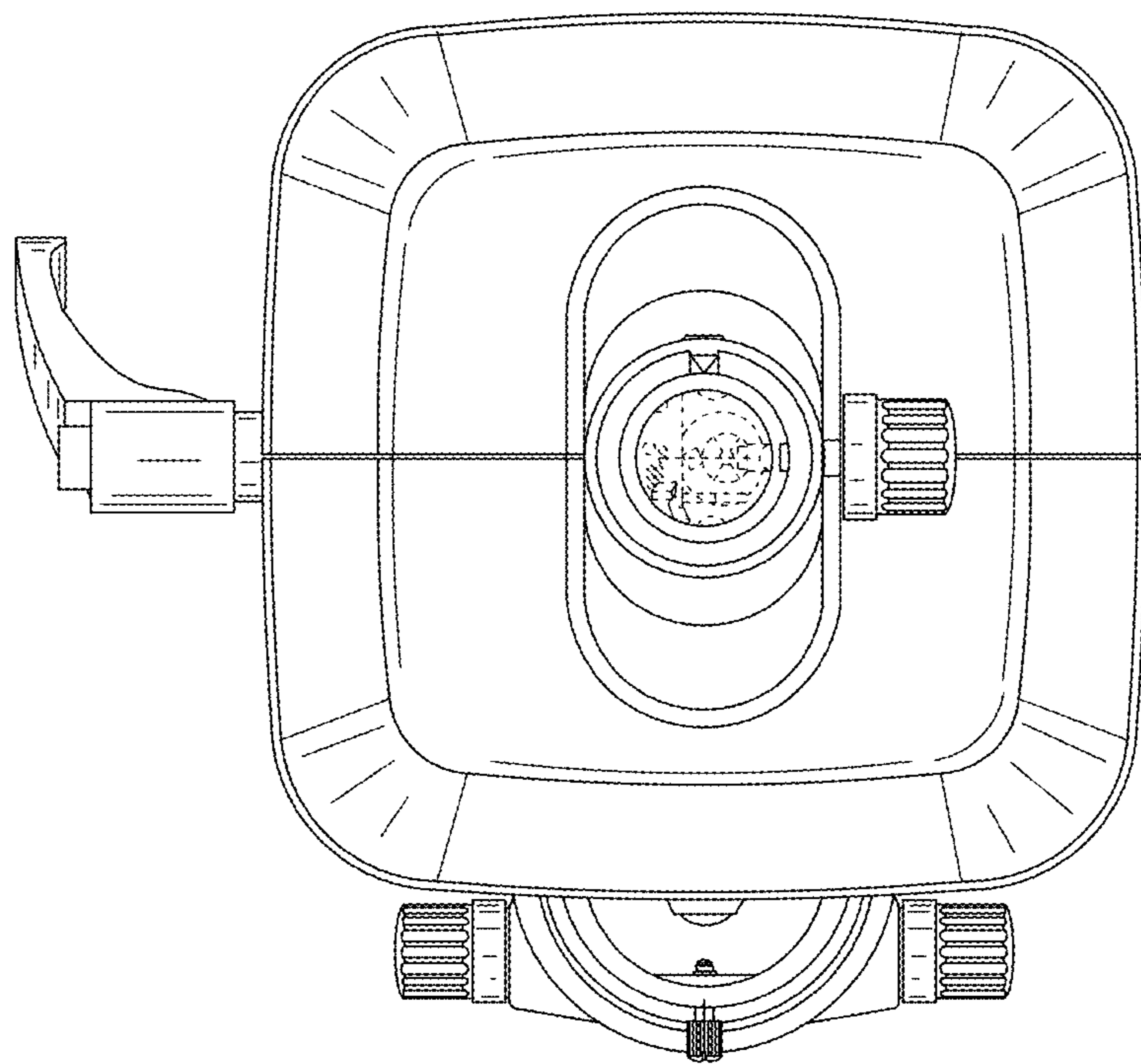


FIG. 5

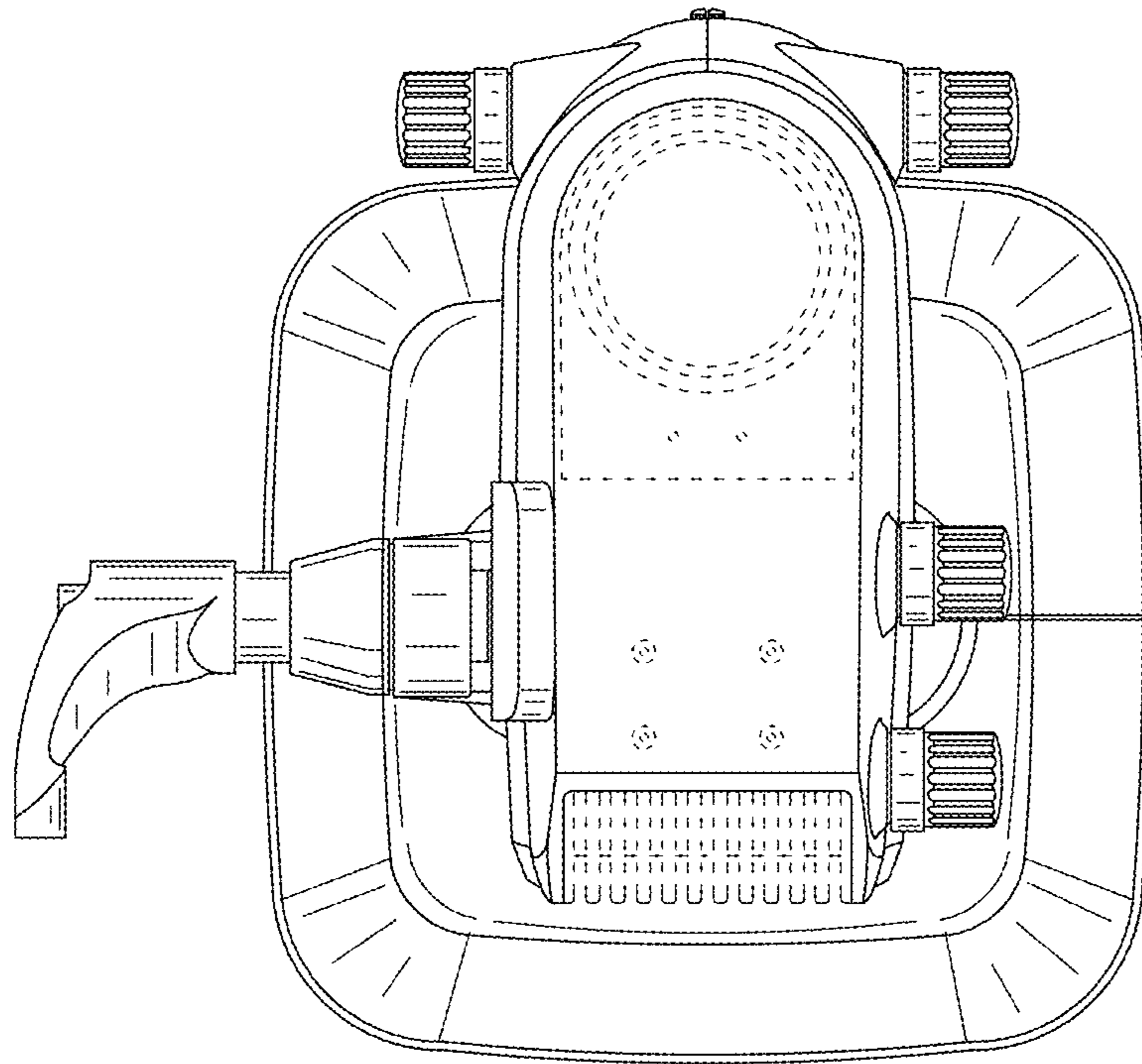


FIG. 6



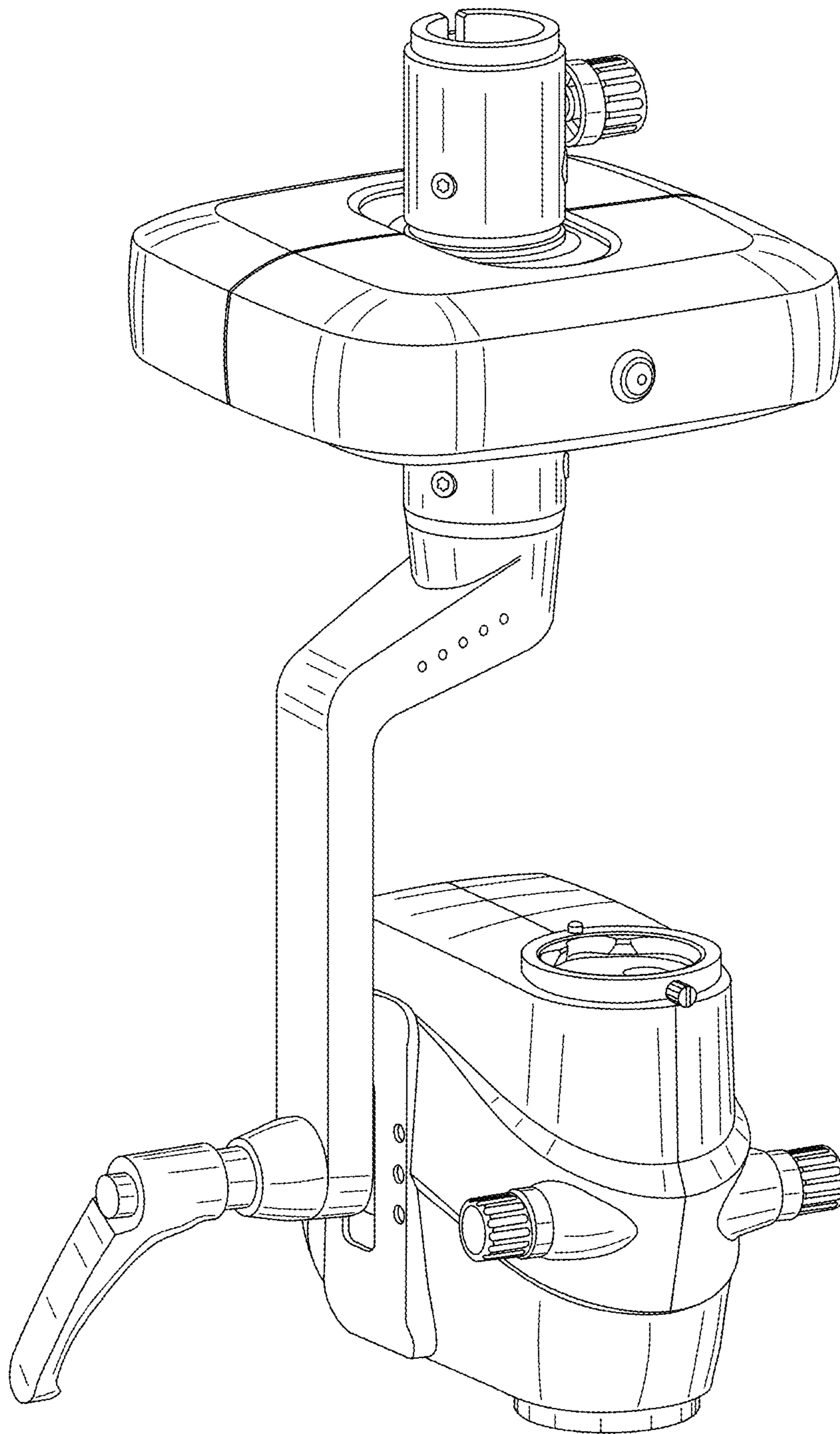


FIG. 7

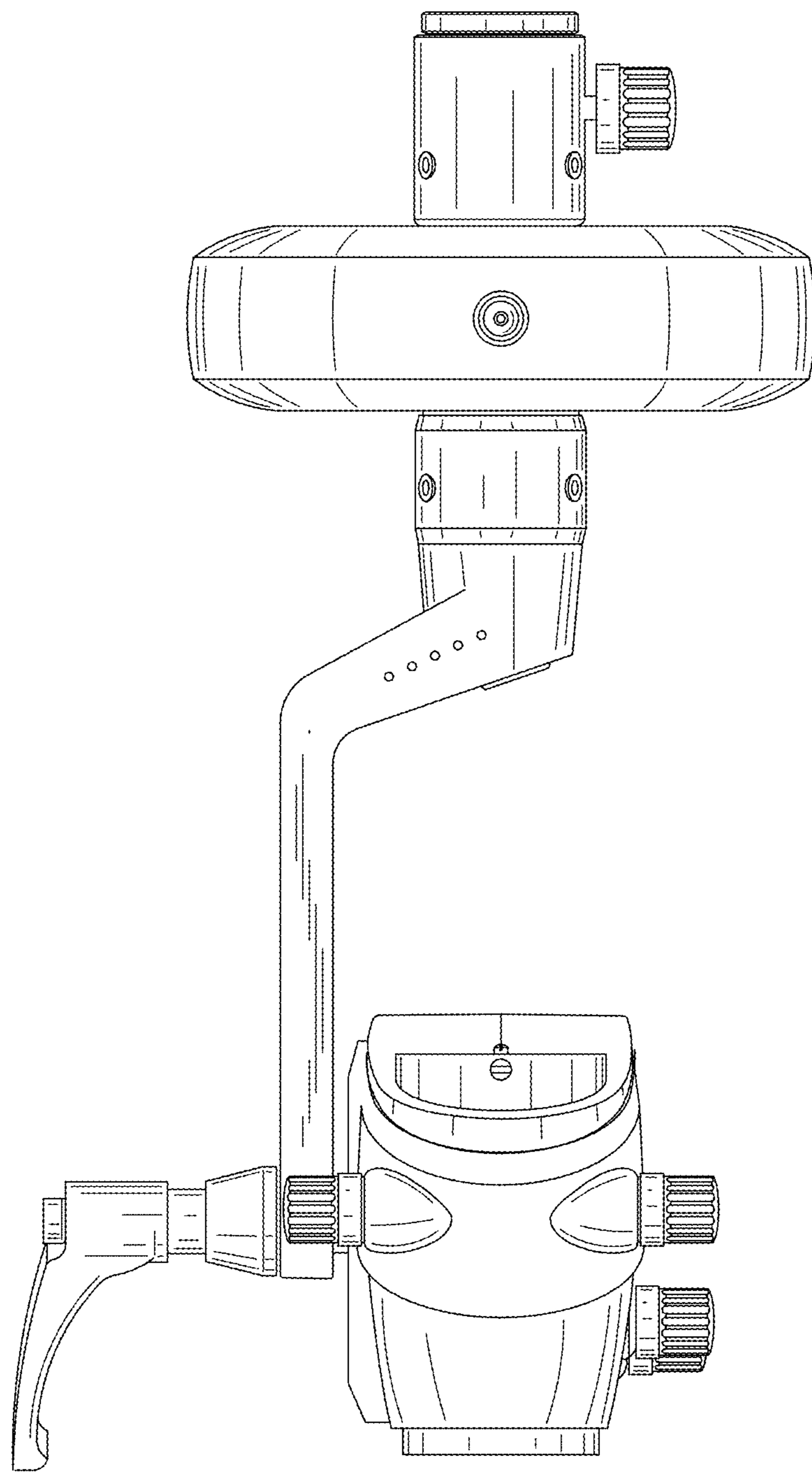


FIG. 8

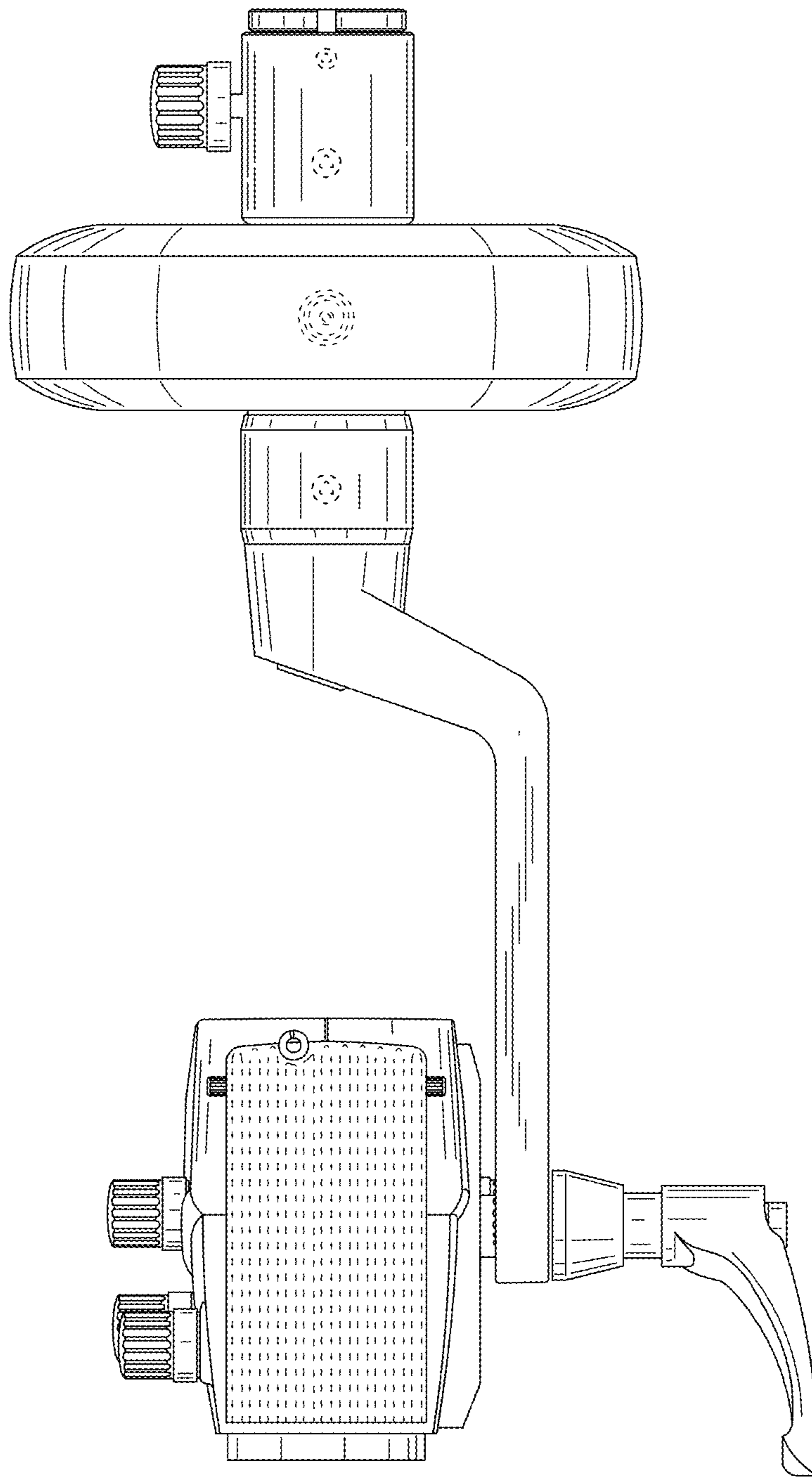


FIG. 9

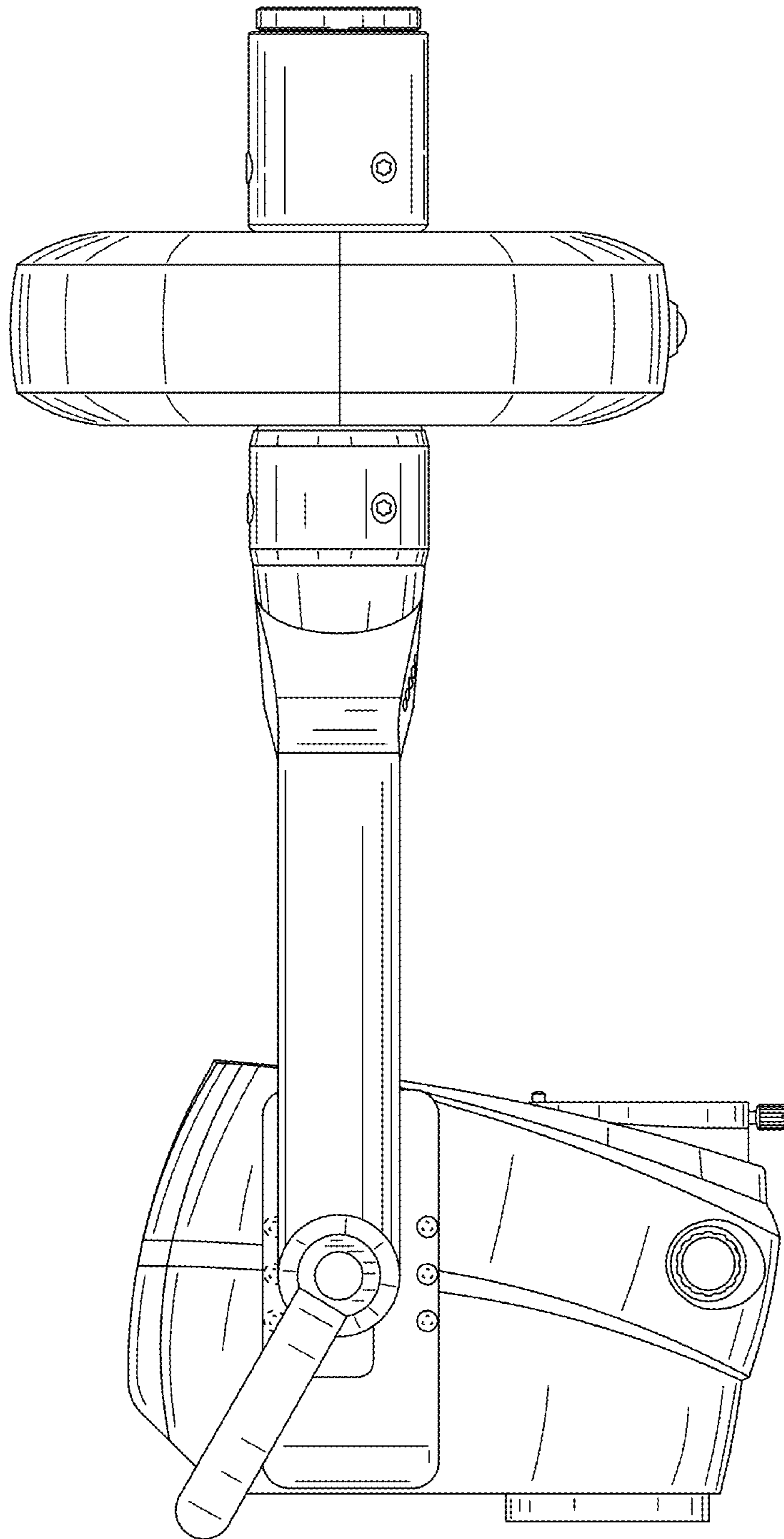


FIG. 10

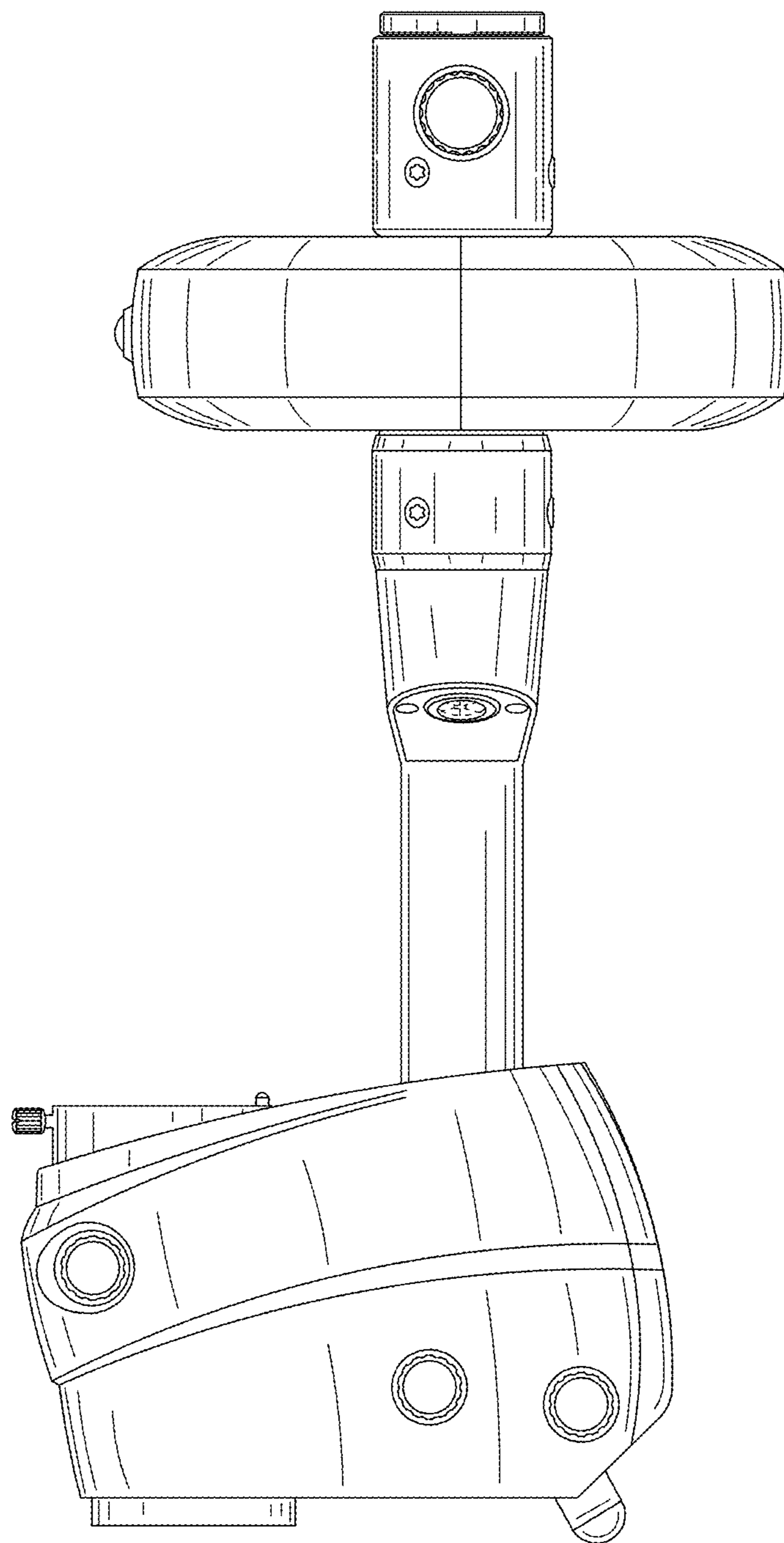


FIG. 11

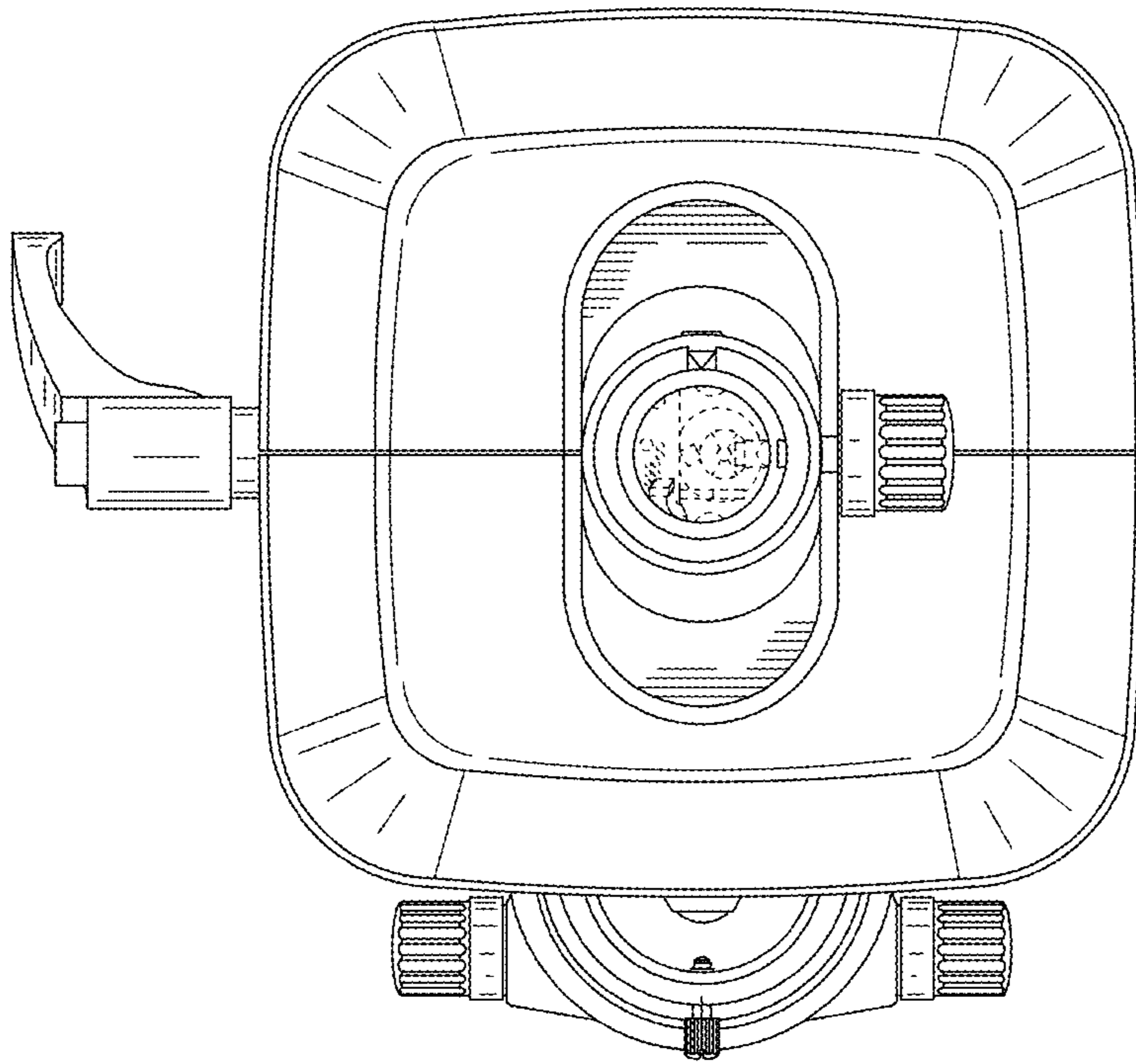


FIG. 12

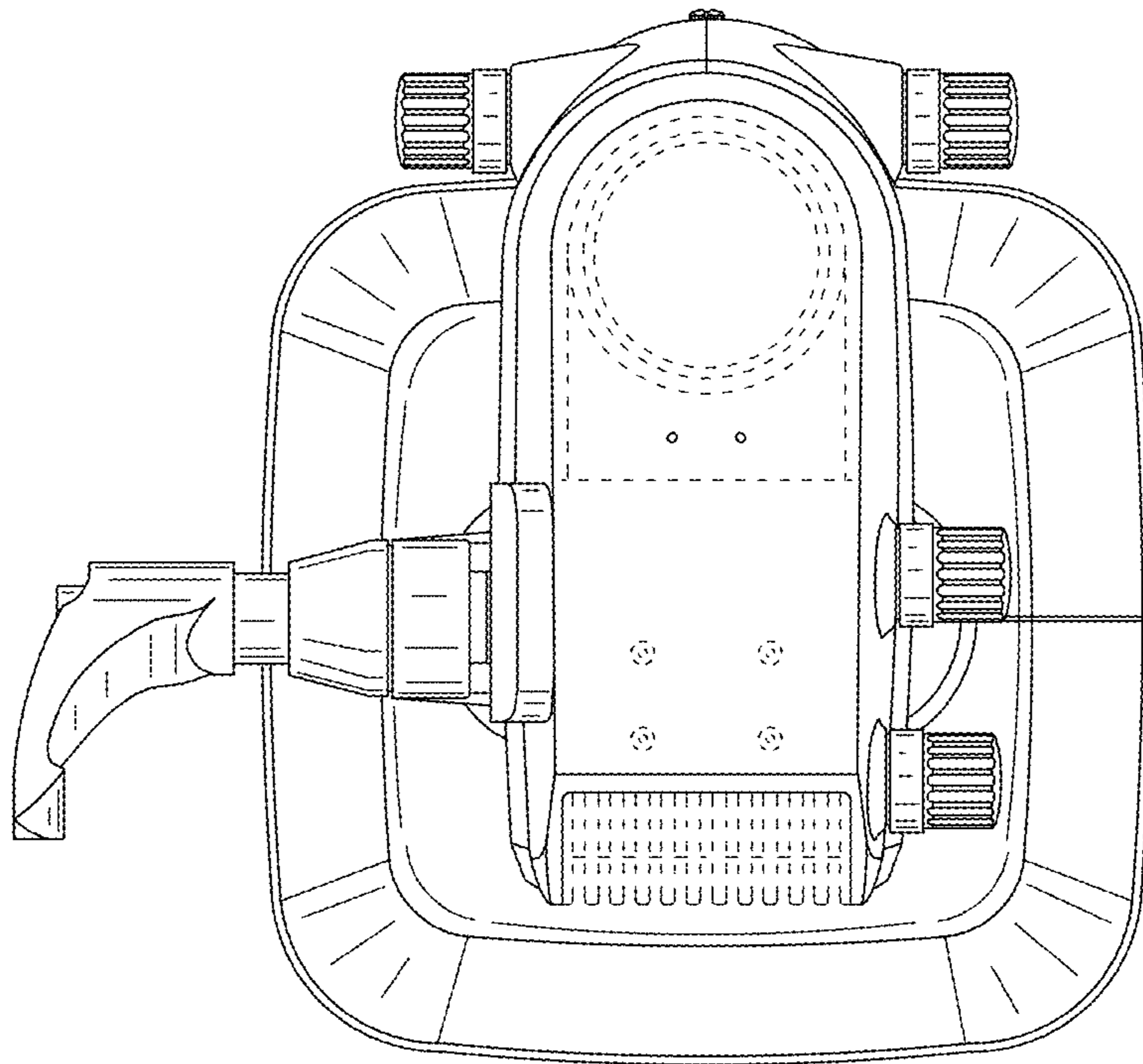


FIG. 13

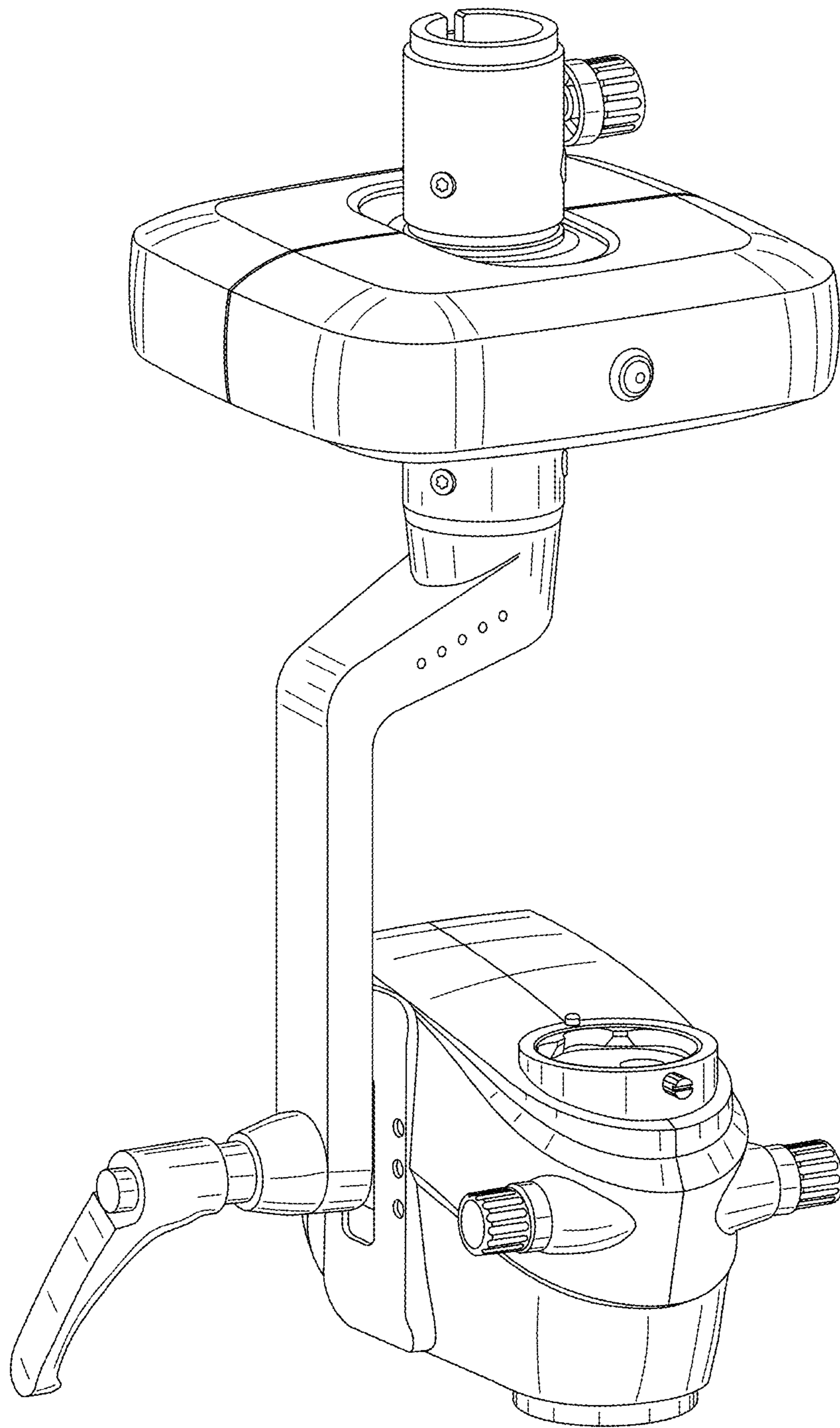


FIG. 14