



US00D836689S

(12) **United States Design Patent** (10) **Patent No.:** **US D836,689 S**
Helm (45) **Date of Patent:** **** Dec. 25, 2018**

(54) **PACKAGING MACHINES**

(71) Applicant: **BOBST BIELEFELD GMBH**,
Bielefeld (DE)
(72) Inventor: **Thorsten Helm**, Sassenberg (DE)
(73) Assignee: **BOBST BIELEFELD GMBH** (DE)
(**) Term: **15 Years**

D333,311 S * 2/1993 Davis D15/127
D372,487 S * 8/1996 Brewer D15/145
D543,222 S * 5/2007 Pester D15/145
D567,271 S * 4/2008 Vine D15/145
D626,161 S * 10/2010 Torre D15/145
D629,822 S * 12/2010 Torre D15/145
D635,601 S * 4/2011 Baroncini D15/145
D643,450 S * 8/2011 Verhoeven D15/145
D698,836 S * 2/2014 Rim D15/145
D706,846 S * 6/2014 Rim D15/145
D721,394 S * 1/2015 Rim D15/146
D810,163 S * 2/2018 Longo D15/145
2016/0325868 A1 * 11/2016 Bonneville B65B 61/06

(21) Appl. No.: **35/502,109**

(22) Filed: **Nov. 30, 2016**

(80) **Hague Agreement Data**

Int. Filing Date: **Nov. 30, 2016**
Int. Reg. No.: **DM/093695**
Int. Reg. Date: **Nov. 30, 2016**
Int. Reg. Pub. Date: **Dec. 16, 2016**

* cited by examiner

Primary Examiner — Richard E Chilcot

(74) *Attorney, Agent, or Firm* — Ostrolenk Faber LLP

(51) **LOC (11) Cl.** **15-99**

(52) **U.S. Cl.**
USPC **D15/145**

(57) **CLAIM**

The ornamental design for packaging machines, as shown.

(58) **Field of Classification Search**

USPC D15/122, 145, 146
CPC B65B 5/06; B65B 5/067; B65B 5/106;
B65B 7/08; B65B 9/04; B65B 31/046;
B65B 47/04; B65B 51/02; B65B 51/10;
B65B 51/065

DESCRIPTION

See application file for complete search history.

1.-3. Packaging machines

FIG. 1.1 is a back view of packaging machines showing my new design;

FIG. 1.2 is a front view thereof;

FIG. 1.3 is a right side, back, perspective view thereof;

FIG. 1.4 is a left side, front, perspective view thereof; and

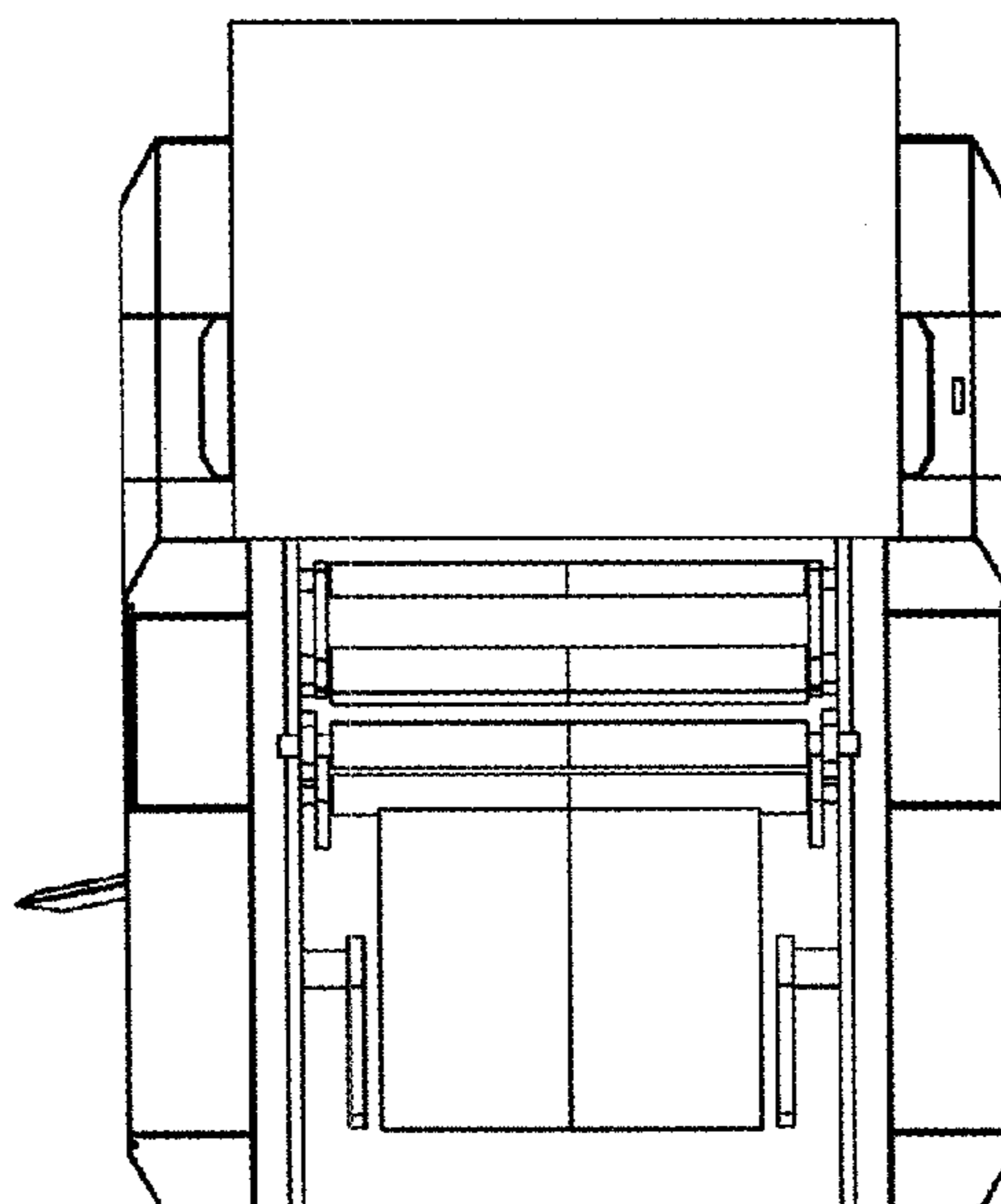
FIG. 1.5 is a right side view thereof;

(56) **References Cited**

U.S. PATENT DOCUMENTS

D301,890 S * 6/1989 Silbersky D15/145
D327,487 S * 6/1992 Di Bernardo D15/145

1 Claim, 5 Drawing Sheets



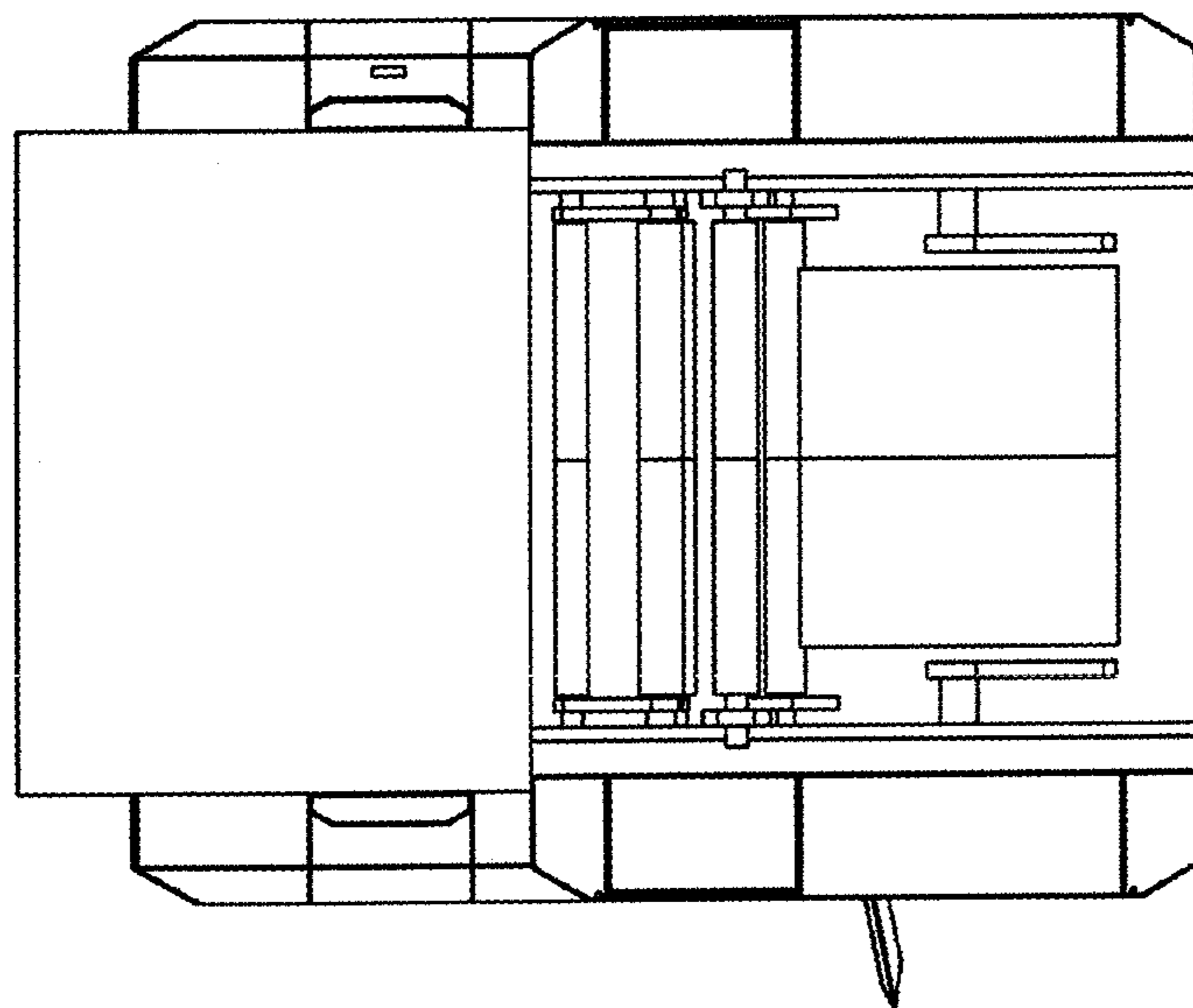


FIG. 1.1

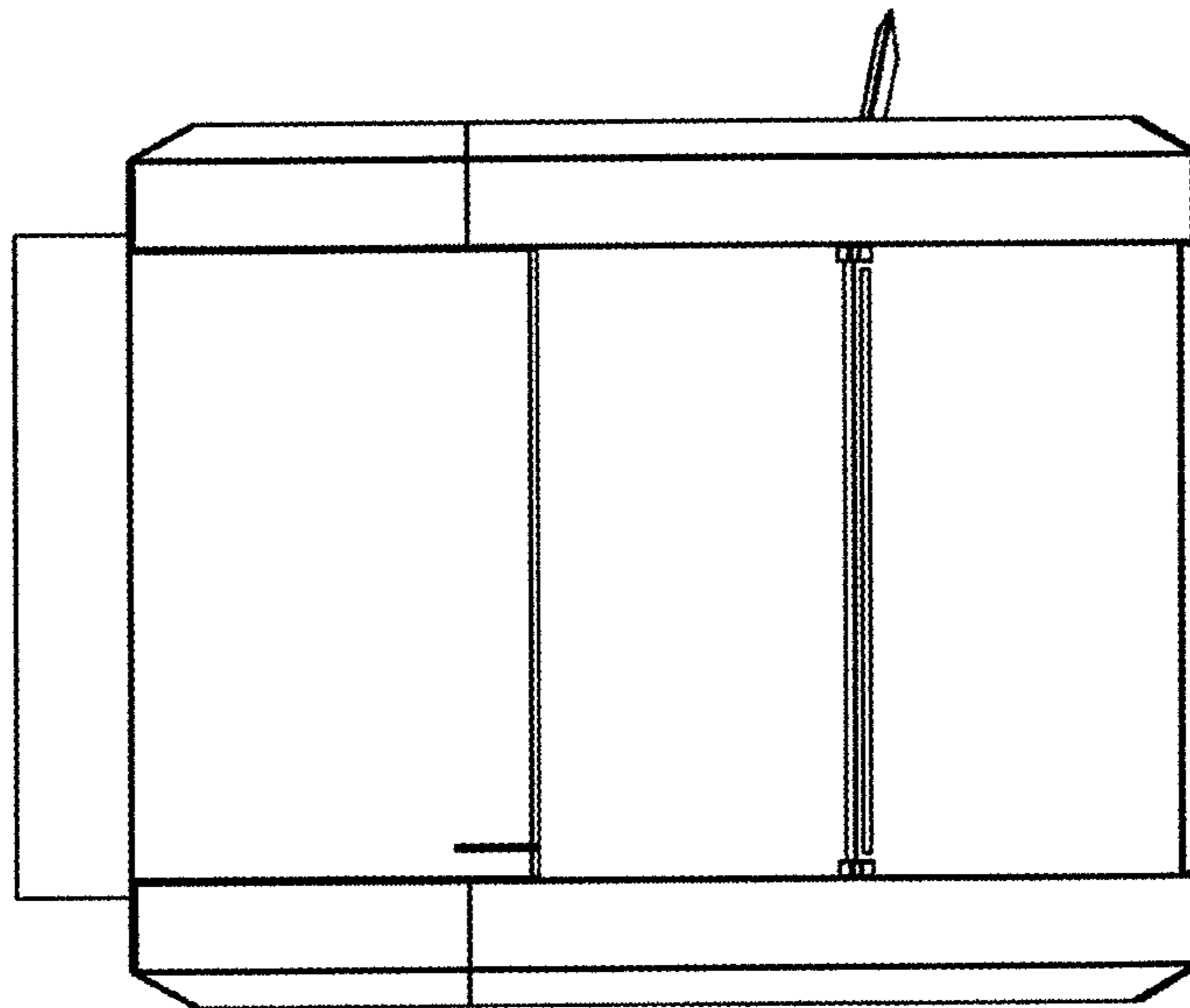


FIG. 1.2

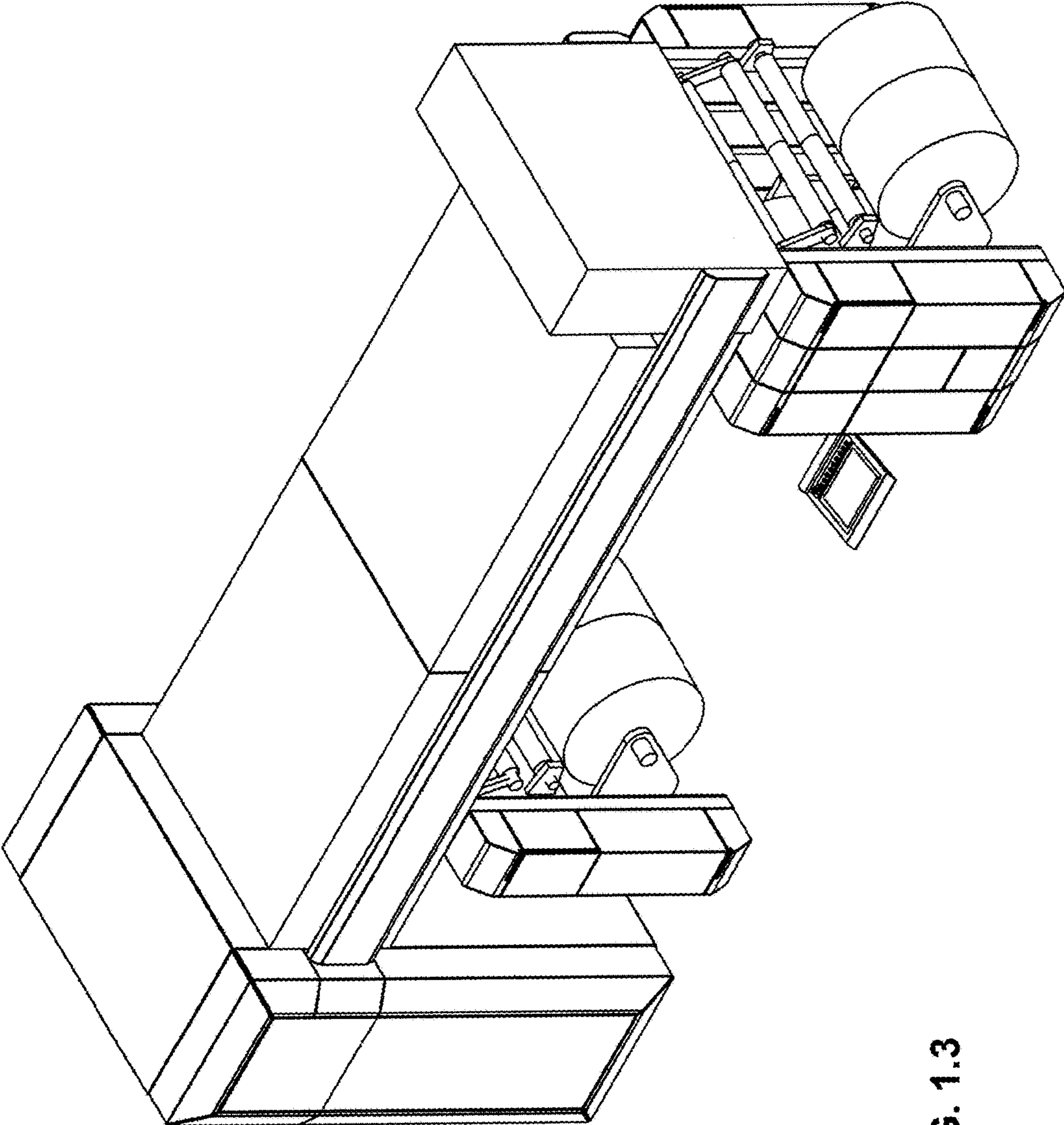


FIG. 1.3

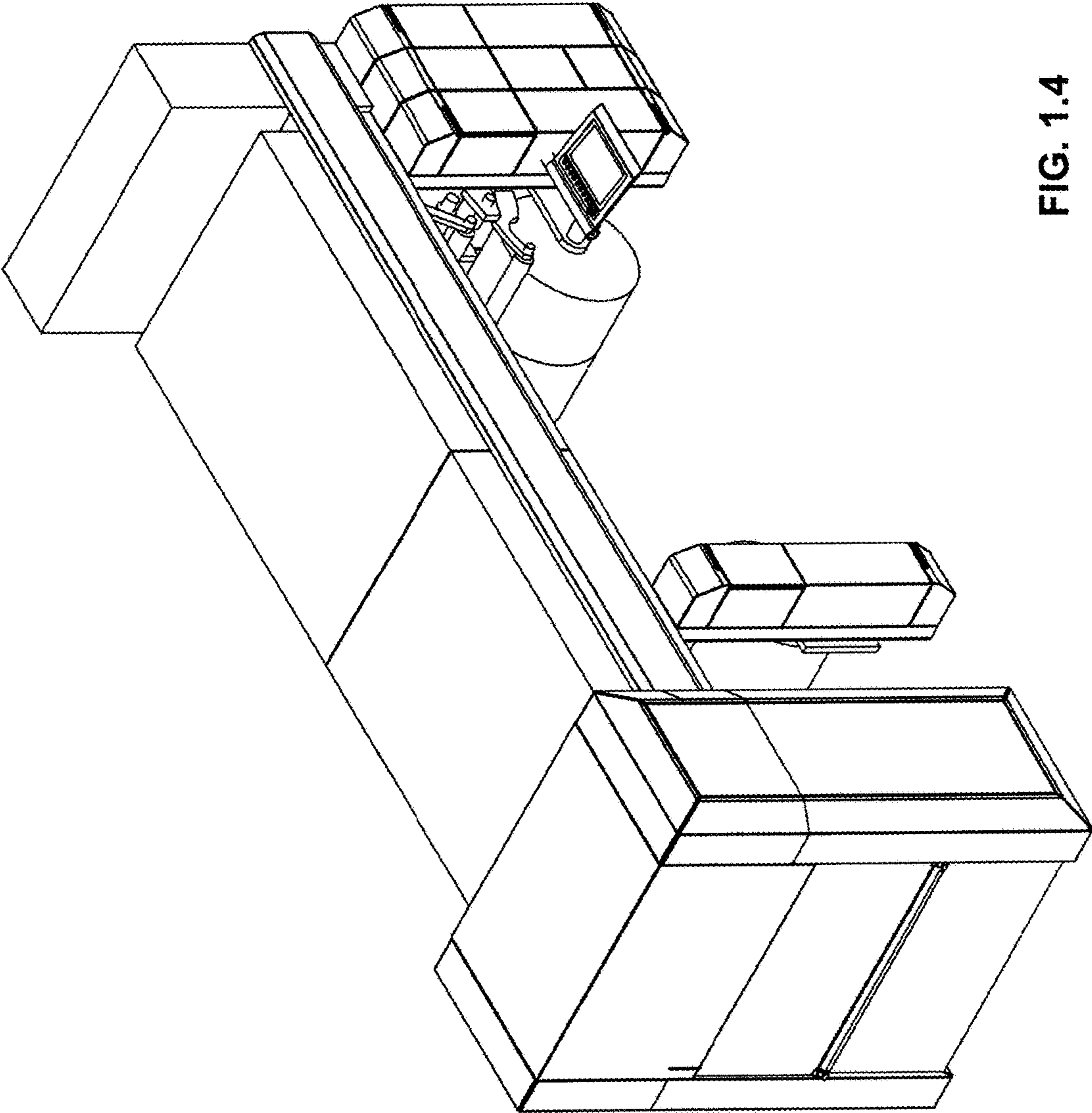


FIG. 1.4

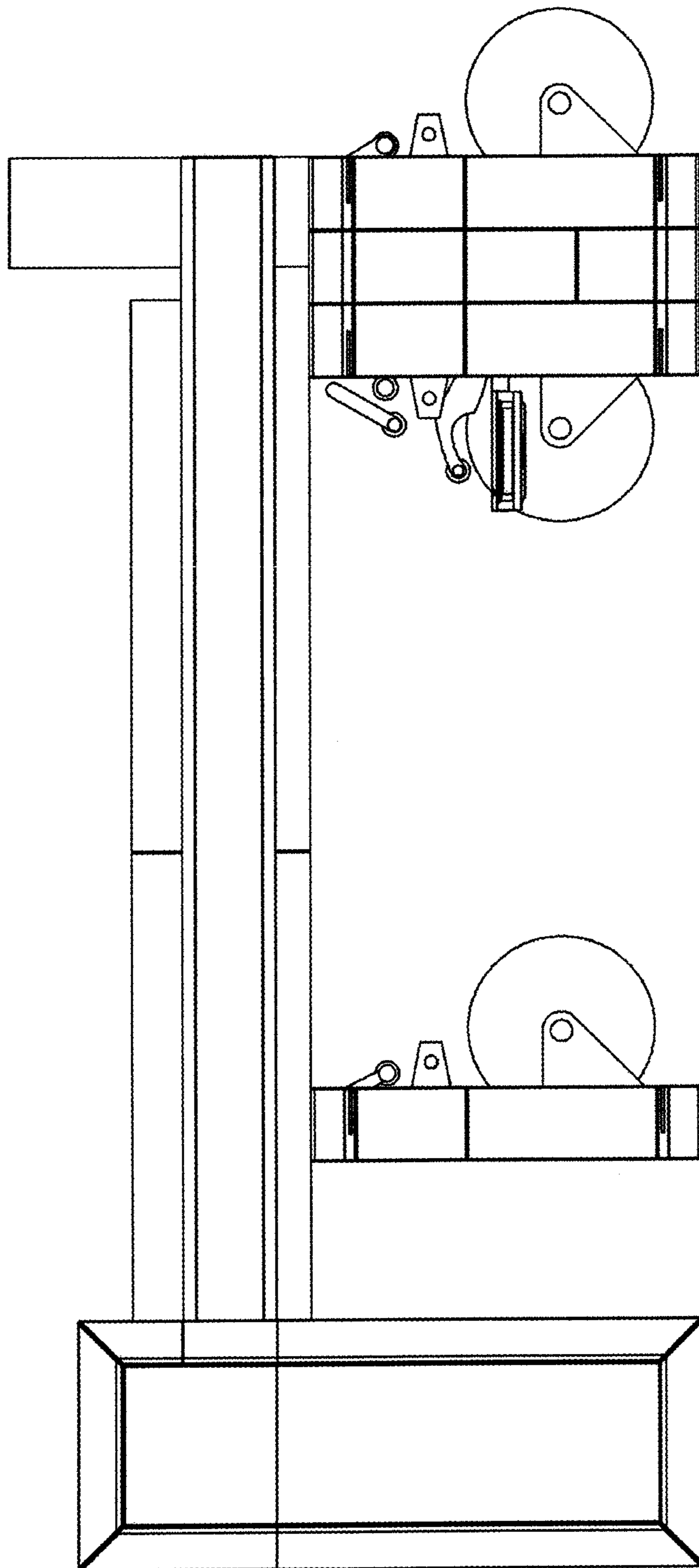


FIG. 1.5