



US00D836688S

(12) **United States Design Patent**
Chang

(10) **Patent No.:** **US D836,688 S**
(45) **Date of Patent:** **** Dec. 25, 2018**

- (54) **EXTENDABLE PLATFORM OF WOODWORKING MACHINERY**
- (71) Applicant: **KINGSAND MACHINERY LTD., Taichung (TW)**
- (72) Inventor: **Chin-Feng Chang, Taichung (TW)**
- (73) Assignee: **KINGSAND MACHINERY LTD., Taichung (TW)**
- (**) Term: **15 Years**
- (21) Appl. No.: **29/621,264**
- (22) Filed: **Oct. 5, 2017**
- (51) **LOC (11) Cl.** **15-09**
- (52) **U.S. Cl.**
USPC **D15/141**
- (58) **Field of Classification Search**
USPC D15/122, 128, 129, 130, 133, 134, 138,
D15/141, 147
CPC H05K 7/1489
See application file for complete search history.

(56) **References Cited**

U.S. PATENT DOCUMENTS

1,610,956	A *	12/1926	Lannom	A47B 5/06 108/33
2,650,145	A *	8/1953	Sieminski	A47B 5/06 108/48
D204,493	S *	4/1966	Lott	D15/141
D213,469	S *	3/1969	Kuhlman	D15/140
D244,746	S *	6/1977	Stabb	D15/140
4,204,446	A *	5/1980	Knochel	B23D 49/08 83/146
4,369,822	A *	1/1983	Rice	B25H 1/04 108/80
4,373,299	A *	2/1983	Gaston	B24B 3/00 451/273
D269,972	S *	8/1983	Andrews	D15/135

4,415,149	A *	11/1983	Rees	B25H 1/04 108/116
4,475,727	A *	10/1984	Goulter	B25H 1/10 269/154
D308,326	S *	6/1990	Makowsky	D15/133
D335,884	S *	5/1993	Seals	D15/140
D352,510	S *	11/1994	Sutton	D15/138
D368,724	S *	4/1996	Vaccaro	D15/122
D376,375	S *	12/1996	Sakaki	D15/141
D404,404	S *	1/1999	Lane	D15/133
6,080,041	A *	6/2000	Greenland	B24B 49/00 125/13.01
D455,447	S *	4/2002	West	D15/141
6,442,030	B1 *	8/2002	Mammoser	G06F 1/1601 248/917

(Continued)

Primary Examiner — Patricia A Palasik
(74) *Attorney, Agent, or Firm* — Raymond Chan

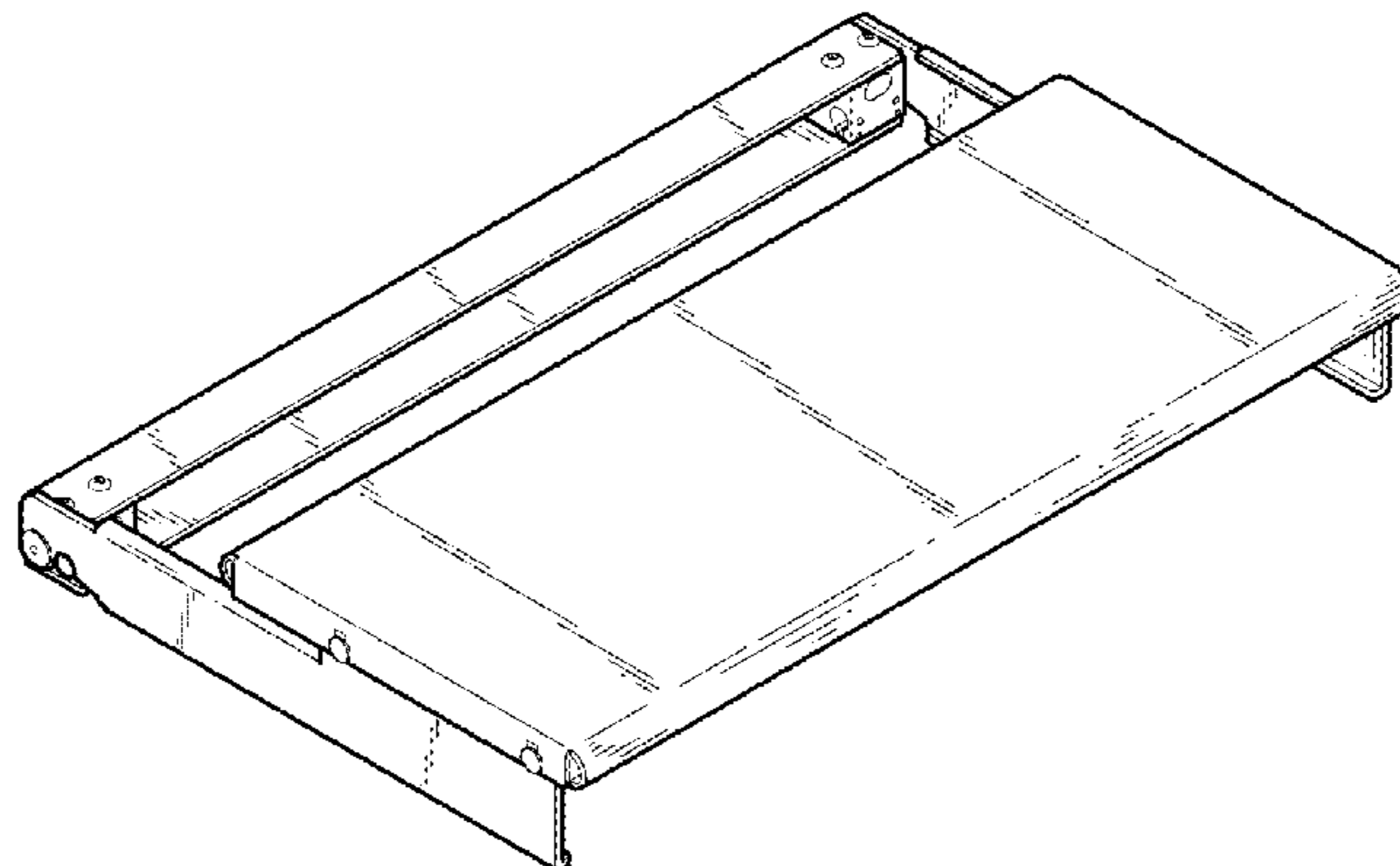
(57) **CLAIM**

The ornamental design for an extendable platform of wood-
working machinery, as shown and described.

DESCRIPTION

FIG. 1 is a perspective view of an extendable platform of
woodworking machinery showing my new design.
FIG. 2 is a second perspective view of the extendable
platform of woodworking machinery in a folded position;
FIG. 3 is a front view thereof;
FIG. 4 is a rear view thereof;
FIG. 5 is a left view thereof;
FIG. 6 is a right view thereof;
FIG. 7 is a top view thereof;
FIG. 8 is a bottom view thereof;
FIG. 9 is a perspective view showing the extendable plat-
form arranged with a woodworking machine; and,
FIG. 10 is a perspective view showing the extendable
platform arranged with a woodworking machine in a folded
position.

1 Claim, 10 Drawing Sheets



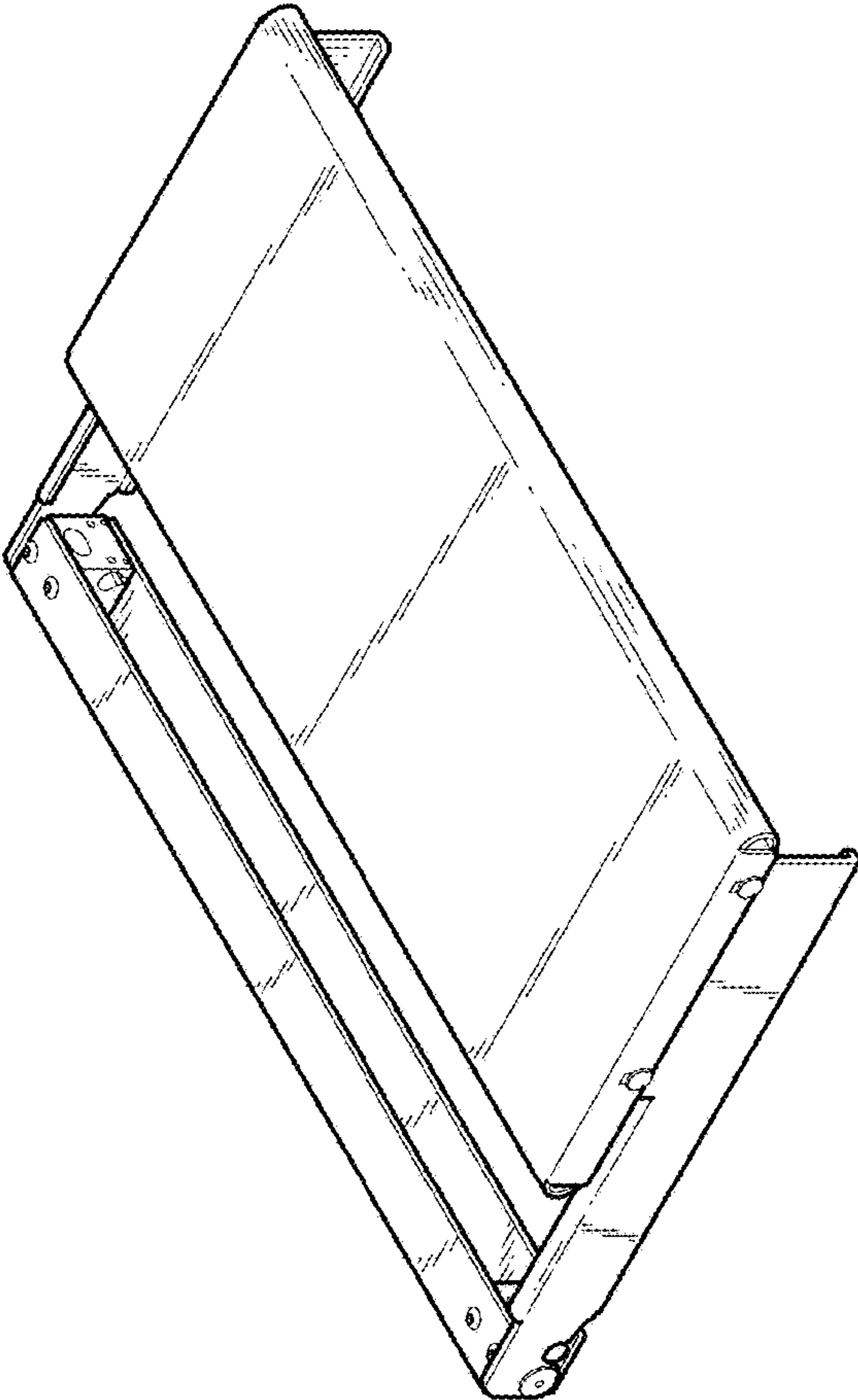


FIG.1

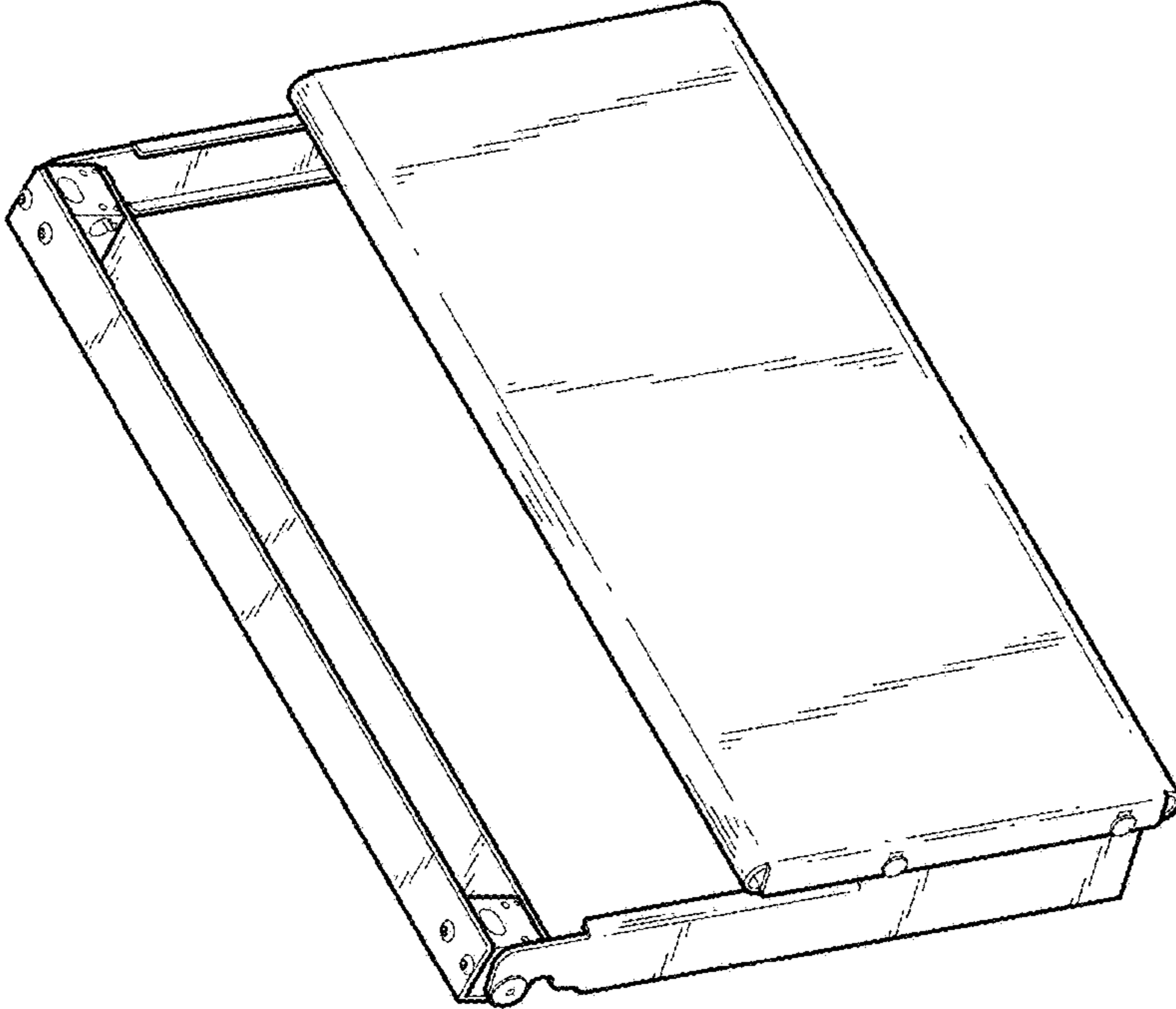


FIG. 2

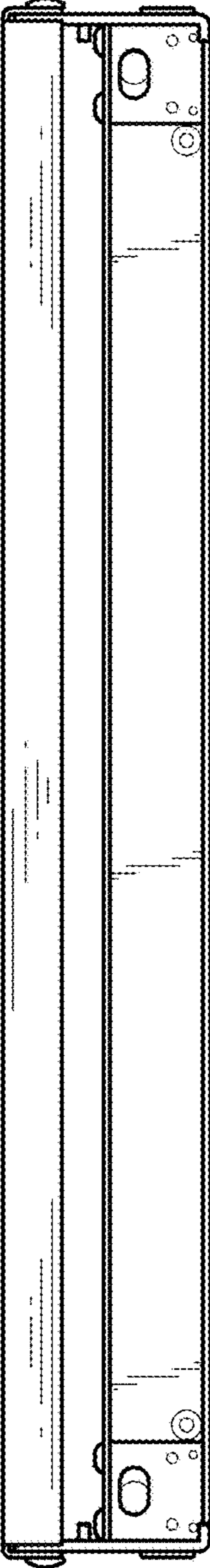


FIG. 3

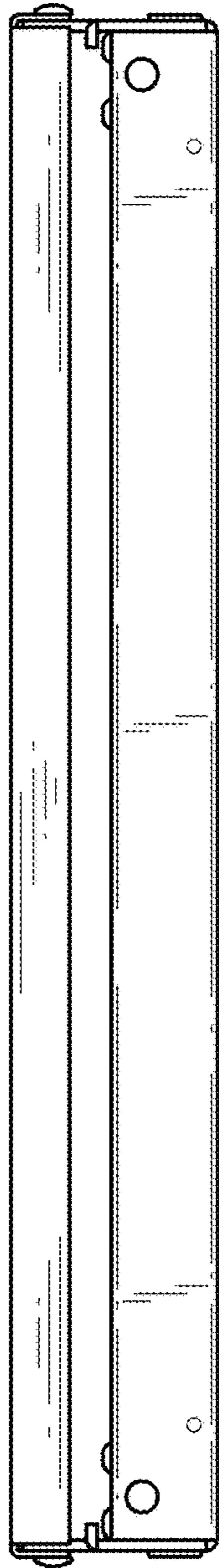


FIG. 4

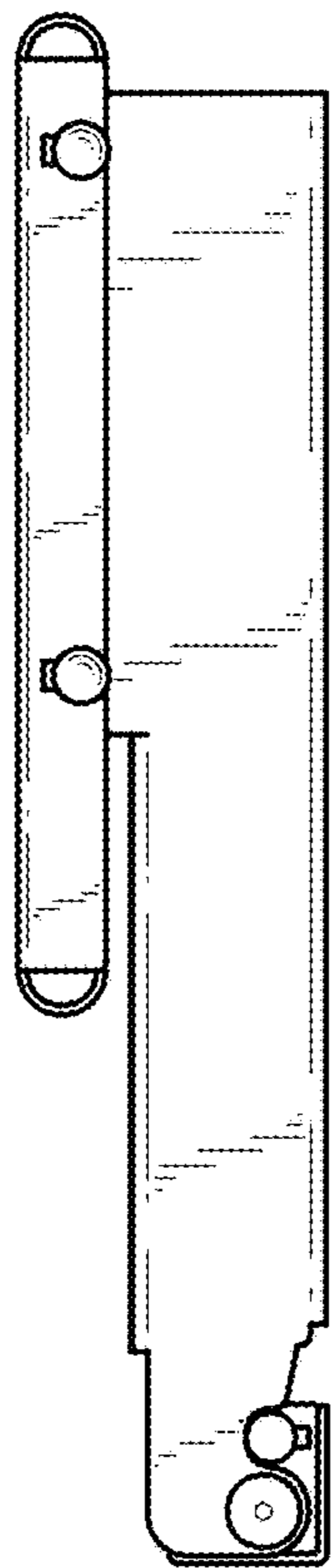


FIG. 5

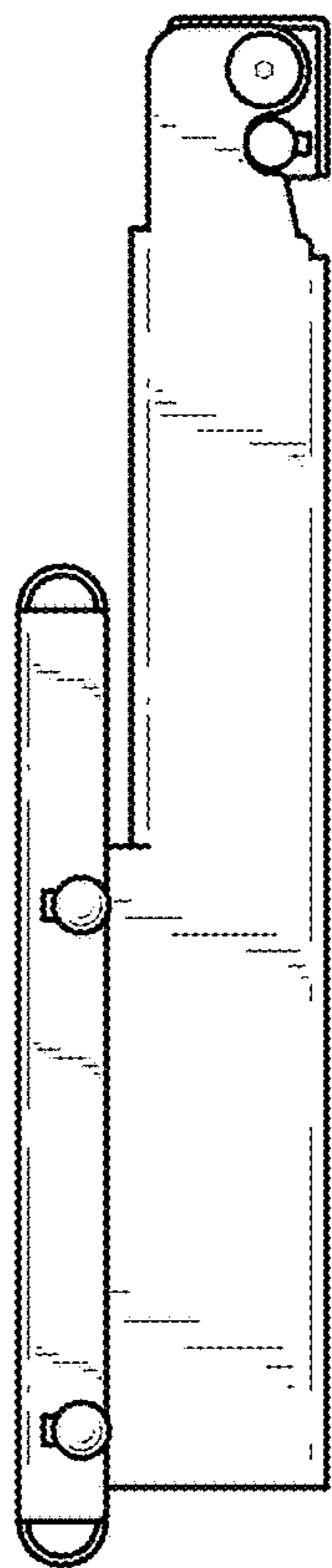


FIG. 6

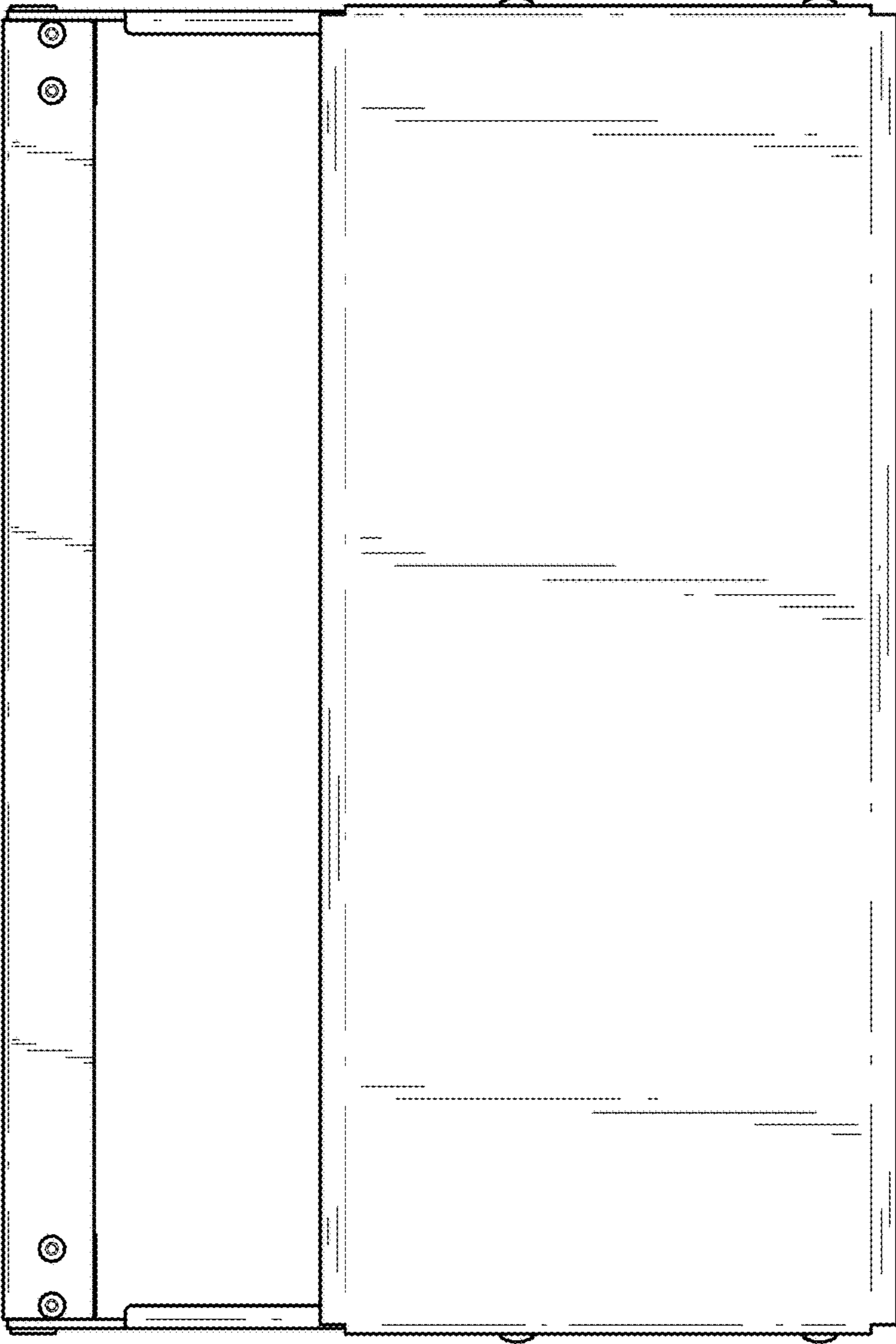


FIG. 7

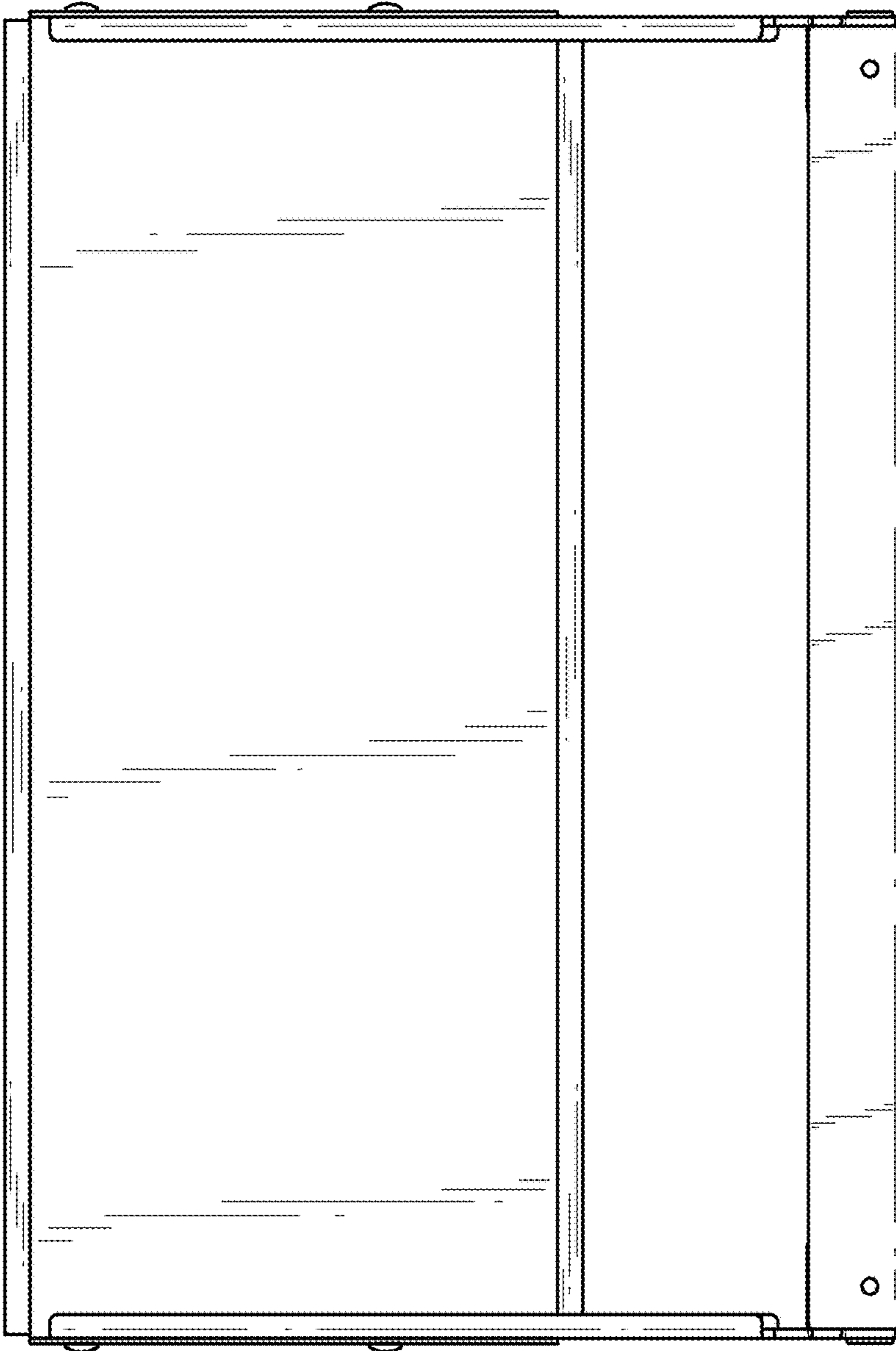


FIG. 8

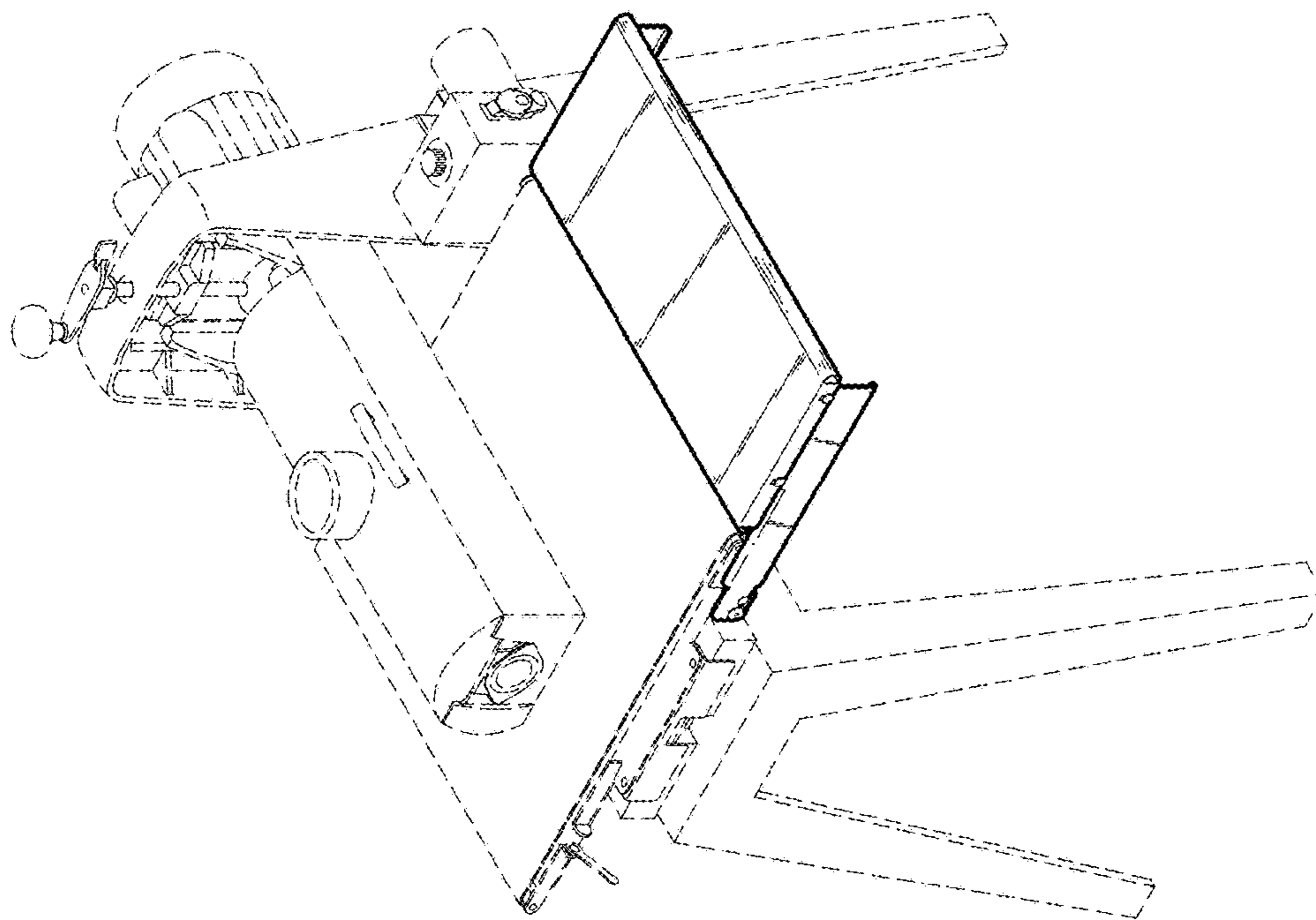


FIG. 9

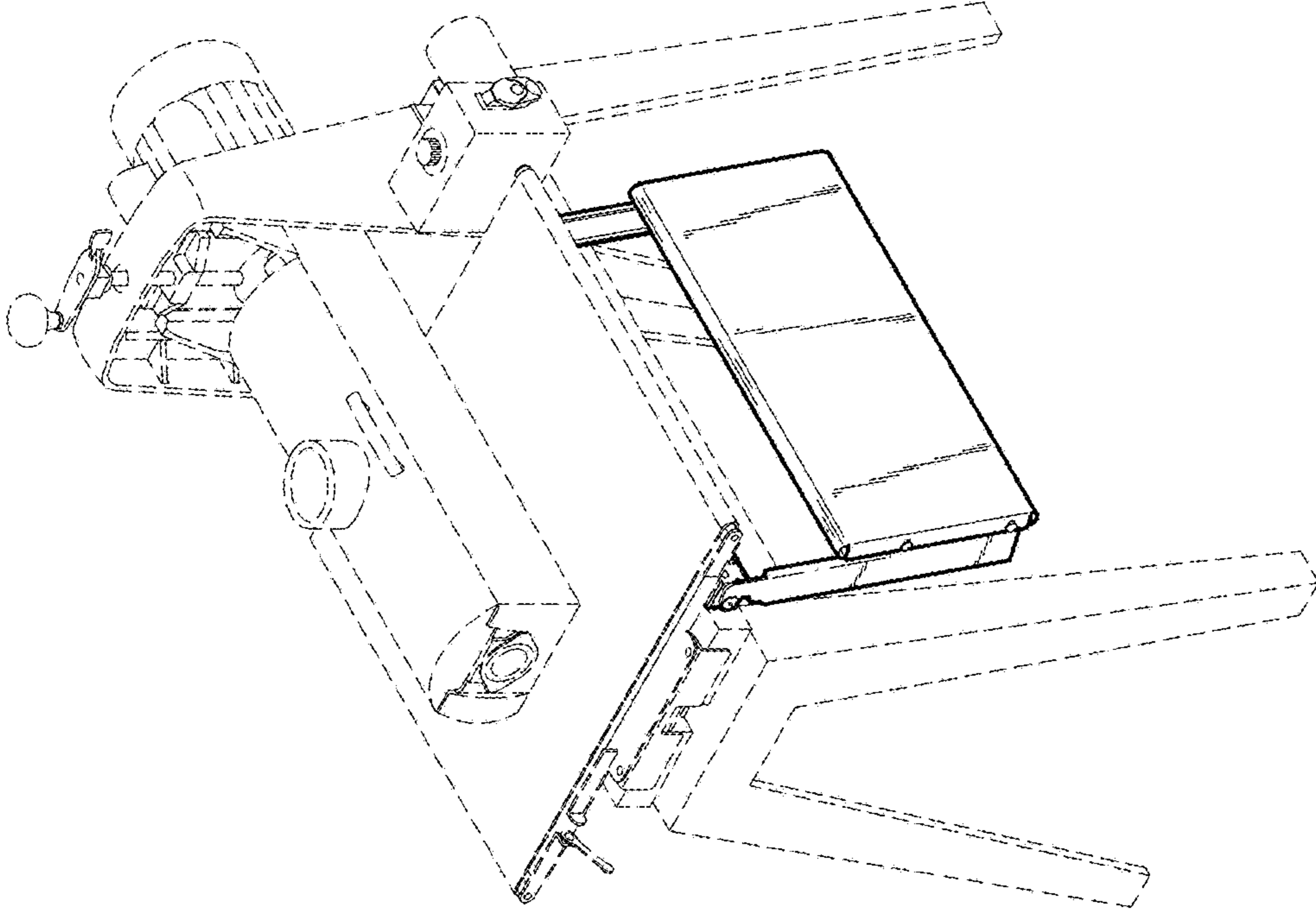


FIG. 10