



US00D836685S

(12) **United States Design Patent** (10) **Patent No.:** **US D836,685 S**  
**Fraser et al.** (45) **Date of Patent:** **\*\* Dec. 25, 2018**

(54) **APPARATUS FOR LAYING A PAVER AND SHIM**

(71) Applicant: **Epic Polymer Systems Corp.**, Langley (CA)

(72) Inventors: **Gregory A. Fraser**, Langley (CA);  
**Graeme K. Fraser**, Mission (CA);  
**Christian Guckel**, Langley (CA)

(73) Assignee: **Redwood Plastics and Rubber Corp.**,  
Langley, BC (CA)

(\*\*) Term: **15 Years**

(21) Appl. No.: **29/582,278**

(22) Filed: **Oct. 26, 2016**

(30) **Foreign Application Priority Data**

Apr. 26, 2016 (CA) ..... 168207  
May 25, 2016 (CA) ..... 168680

(51) **LOC (11) Cl.** ..... **15-03**

(52) **U.S. Cl.**  
USPC ..... **D15/135**

(58) **Field of Classification Search**

USPC ..... D15/122, 135, 136, 137, 142, 199;  
D25/112-118, 136, 138, 151, 152, 153  
CPC ... C04B 28/04; C04B 14/06; C04B 2103/304;  
C04B 2103/32; C04B 40/0028; C04B  
40/0071; C04B 18/0418; C04B  
2103/0094; C04B 22/062; C04B 24/005;  
C04B 24/02; C04B 28/02; C04B 41/5016;  
C04B 41/502; C04B 24/2623; C04B  
28/006; C04B 40/0231; C04B 40/0625;  
C04B 41/483; C04B 41/4869; C04B  
18/08; C04B 2103/008; C04B 22/0093;  
C04B 24/121; C04B 24/2635; C04B  
24/2641; C04B 24/2652; C04B 24/32;  
C04B 24/38; C04B 40/0014; C04B  
40/0032; C04B 40/0082; C04B 2103/10;

C04B 2111/00017; C04B 2111/00051;  
C04B 2111/0006; C04B 2111/0075; C04B  
2111/00793; C04B 2111/21; C04B  
2111/60; C04B 2235/3215; C04B  
2235/3272; C04B 2235/36; C04B  
2235/422; C04B 2235/6021; C04B  
2235/60

See application file for complete search history.

(56) **References Cited**

U.S. PATENT DOCUMENTS

150,710 A \* 5/1874 Prindle ..... E01C 5/00  
404/19  
D581,549 S \* 11/2008 Thorkelson ..... D25/113  
D598,572 S \* 8/2009 Stephansky ..... D25/113  
D646,798 S \* 10/2011 MacKenny ..... D25/113

(Continued)

*Primary Examiner* — Ian Simmons

*Assistant Examiner* — Khawaja Anwar

(74) *Attorney, Agent, or Firm* — Chernoff Vilhauer LLP

(57) **CLAIM**

We claim an ornamental design for the apparatus for laying a paver and shim, as shown and described.

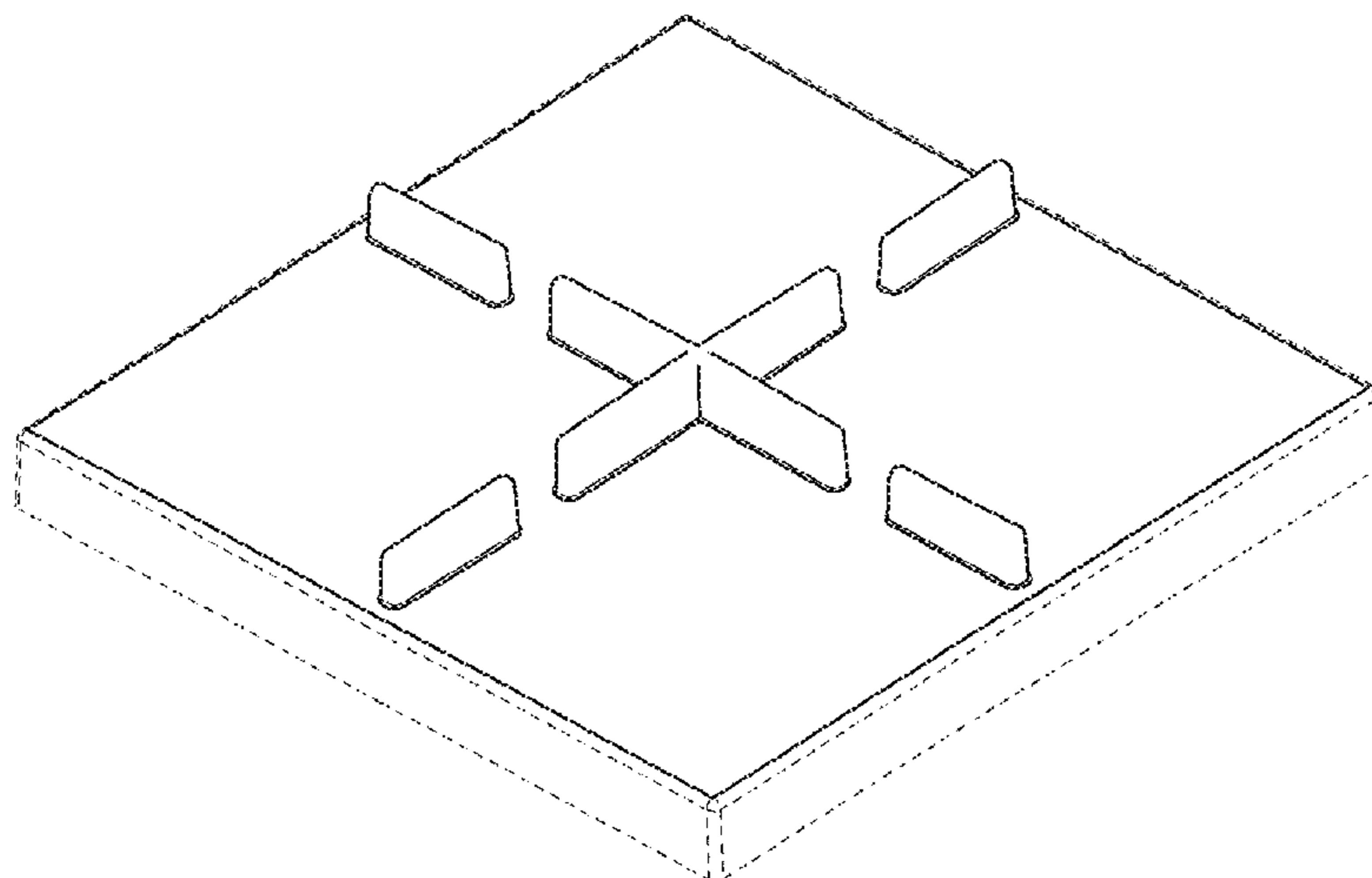
**DESCRIPTION**

FIG. 1 is a perspective view of an apparatus for laying a paver and shim, showing our new design;  
FIG. 2 is a rear elevation view thereof;  
FIG. 3 is a top plan view thereof;  
FIG. 4 is a right side elevation view thereof;  
FIG. 5 is a left side elevation view thereof;  
FIG. 6 is a bottom plan view thereof; and,  
FIG. 7 is a front elevation view thereof.

The portions of the paver pad shown in dashed lines form no part of the claimed design.

The dashed lines are included for illustrating environmental structure and form no part of the claimed design.

**1 Claim, 3 Drawing Sheets**



(56)

**References Cited**

U.S. PATENT DOCUMENTS

D812,113 S \* 3/2018 Sakaguchi ..... D15/135  
D812,114 S \* 3/2018 Sakaguchi ..... D15/135

\* cited by examiner

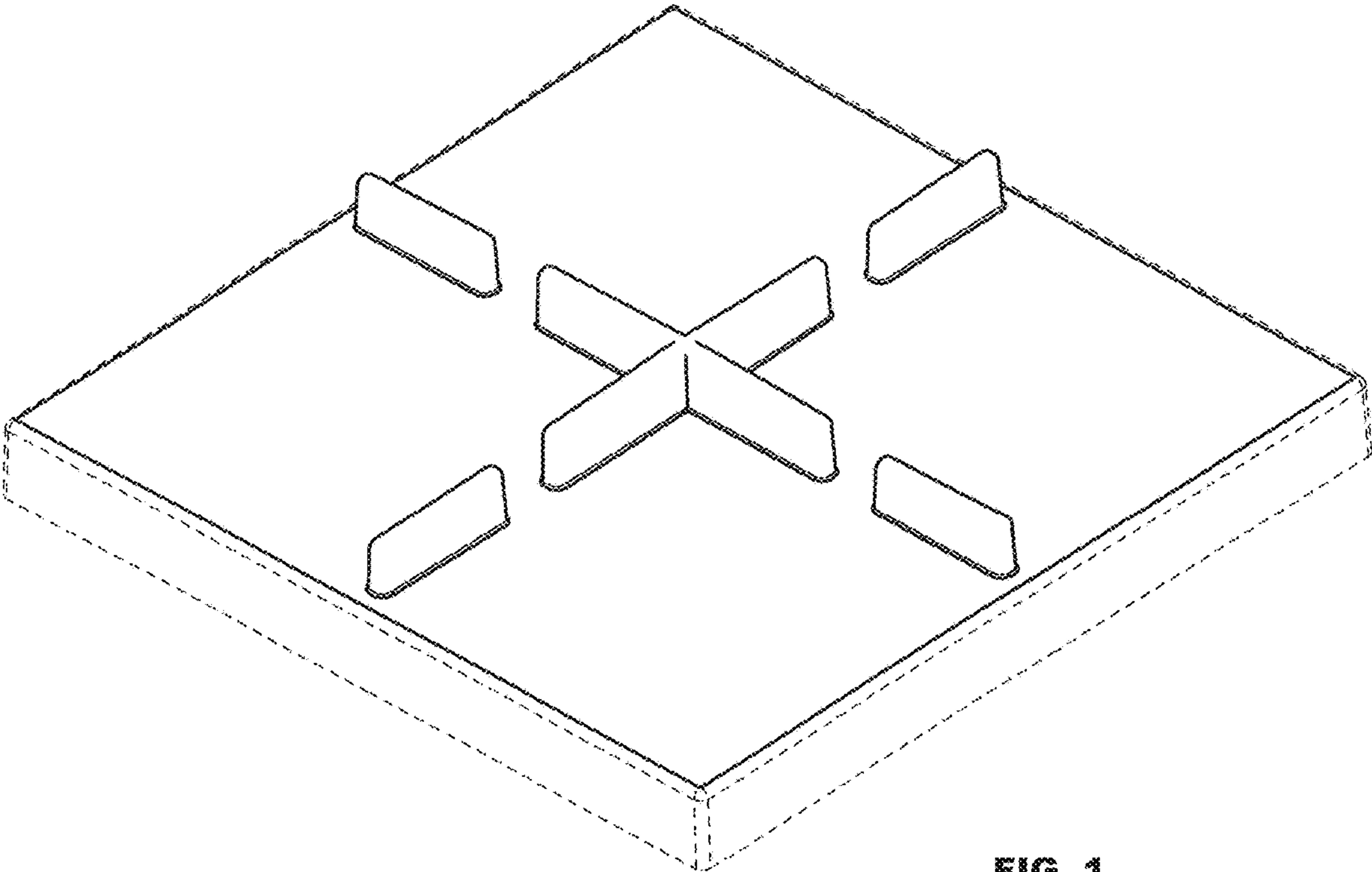


FIG. 1

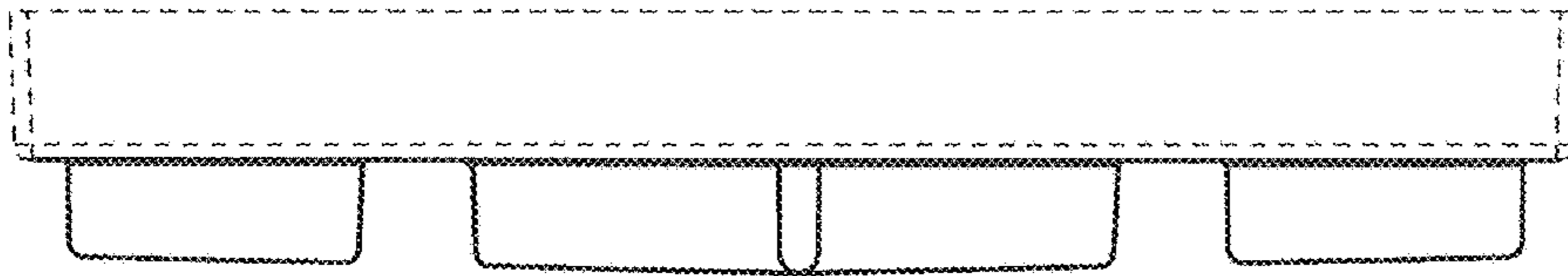


FIG. 2

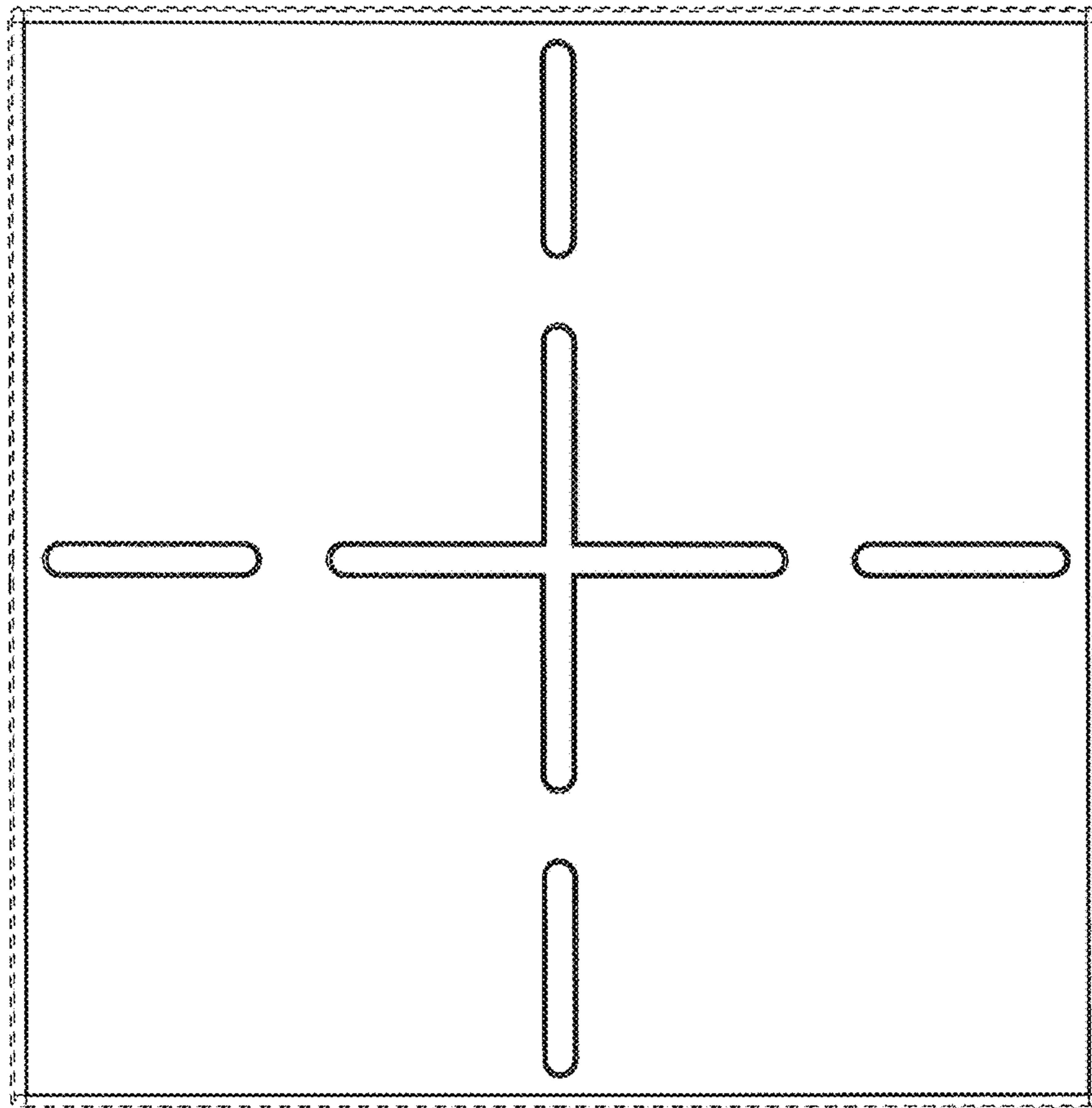


FIG. 3

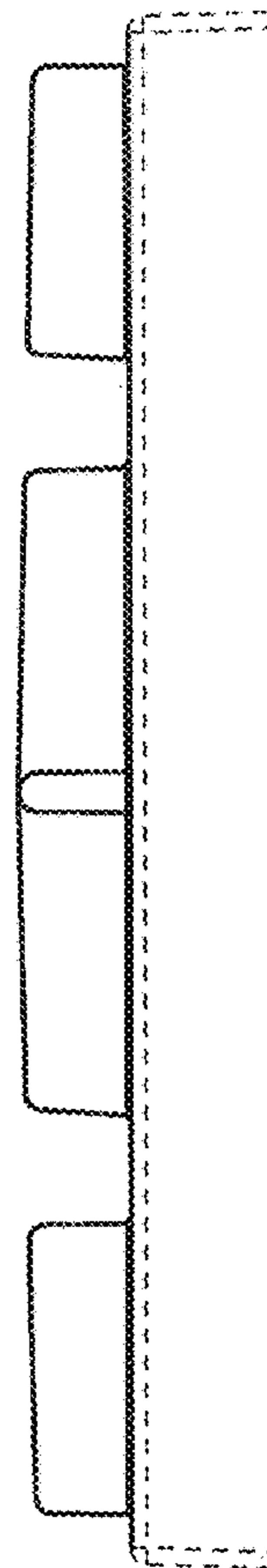


FIG. 4

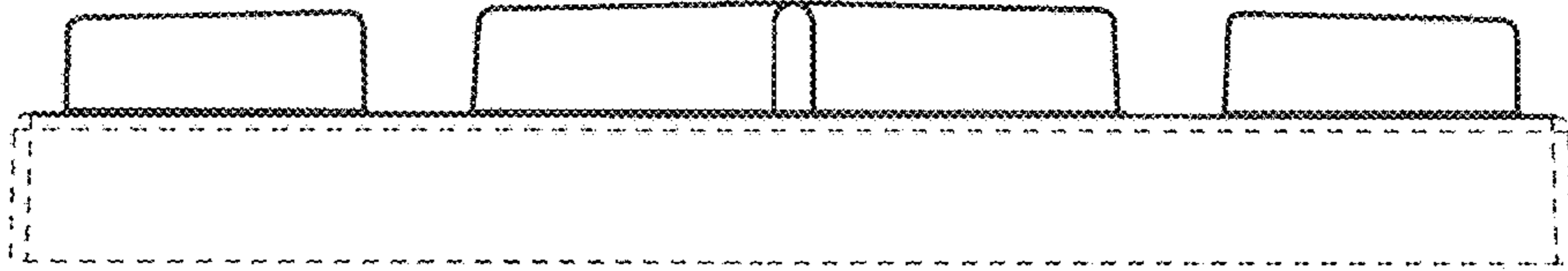


FIG. 7



FIG. 6

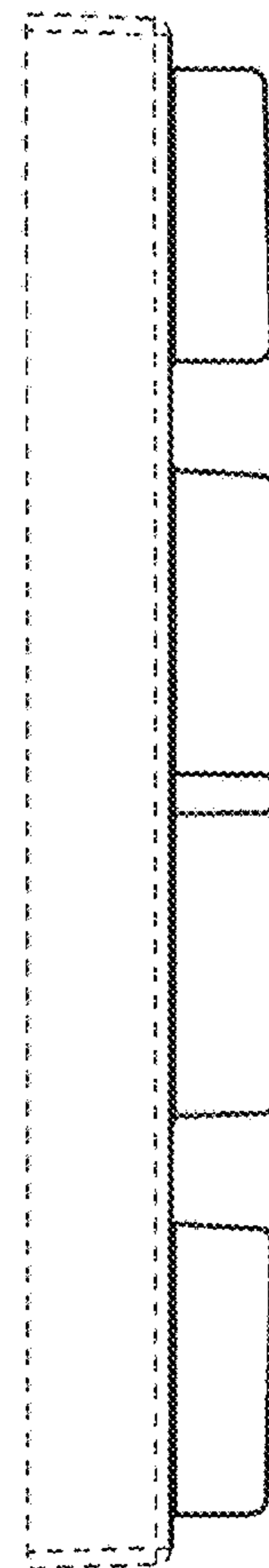


FIG. 5