



US00D836684S

(12) **United States Design Patent**  
**Zhang et al.**

(10) **Patent No.:** **US D836,684 S**

(45) **Date of Patent:** **\*\* Dec. 25, 2018**

(54) **3D BIO-PRINTER**

(71) Applicant: **REVOTEK CO., LTD**, Sichuan (CN)

(72) Inventors: **Leqing Zhang**, Sichuan (CN); **Deming Wang**, Sichuan (CN)

(73) Assignee: **REVOTEK CO., LTD.**, Sichuan (CN)

(\*\*) Term: **15 Years**

(21) Appl. No.: **29/631,362**

(22) Filed: **Dec. 29, 2017**

(51) **LOC (11) Cl.** ..... **15-09**

(52) **U.S. Cl.**  
USPC ..... **D15/122; D15/135**

(58) **Field of Classification Search**  
USPC ..... D14/420-425; D15/122, 135; D18/50,  
D18/53, 54, 54.1  
CPC . B29C 47/12; B29C 67/0059; B29C 67/0088;  
B29K 2105/0058  
See application file for complete search history.

(56) **References Cited**

**U.S. PATENT DOCUMENTS**

D281,612 S	*	12/1985	Banner	.....	D15/122
D290,263 S	*	6/1987	Shibayama	.....	D15/122
D319,834 S	*	9/1991	Rutschle	.....	D15/131
D424,584 S	*	5/2000	Kawahara	.....	D15/122
D427,614 S	*	7/2000	Miyake	.....	D15/127
D668,278 S	*	10/2012	Miyake	.....	D15/127
D693,859 S	*	11/2013	Kitamura	.....	D15/122
D711,947 S	*	8/2014	Son	.....	D15/199

D716,857 S	*	11/2014	Shimano	.....	D15/122
D736,839 S	*	8/2015	Shimano	.....	D15/122
D739,885 S	*	9/2015	Lee	.....	D15/122
D753,735 S	*	4/2016	Shimano	.....	D15/122
D759,133 S	*	6/2016	Kitamura	.....	D15/122
D765,745 S	*	9/2016	Cheung	.....	D15/122
9,561,624 B1	*	2/2017	Wu	.....	B29C 67/0066
D787,574 S	*	5/2017	Lee	.....	D15/122
D791,204 S	*	7/2017	Hynek	.....	D15/131
D799,568 S	*	10/2017	Cesar	.....	D15/122
D809,574 S	*	2/2018	Lin	.....	D15/122
2014/0085620 A1	*	3/2014	Lobovsky	.....	G03F 7/70775 355/72
2015/0239165 A1	*	8/2015	Huang	.....	B33Y 30/00 425/166

\* cited by examiner

*Primary Examiner* — Patricia A Palasik

(74) *Attorney, Agent, or Firm* — Scully Scott Murphy & Presser

(57) **CLAIM**

The ornamental for a 3D bio-printer, as shown.

**DESCRIPTION**

FIG. 1 is a perspective view of a 3D bio-printer, showing our new design;

FIG. 2 is an alternative perspective view thereof;

FIG. 3 is a front elevation view thereof;

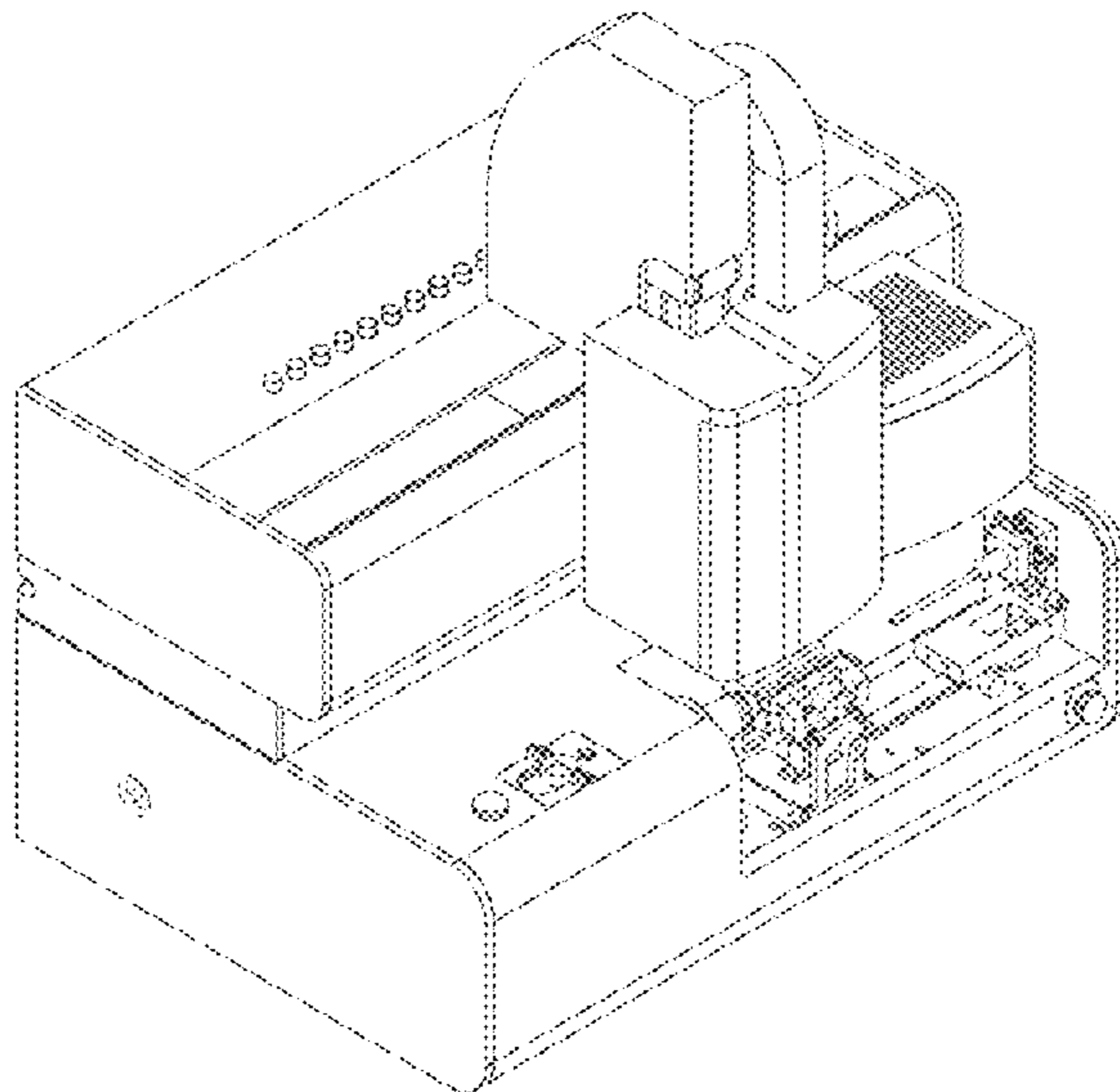
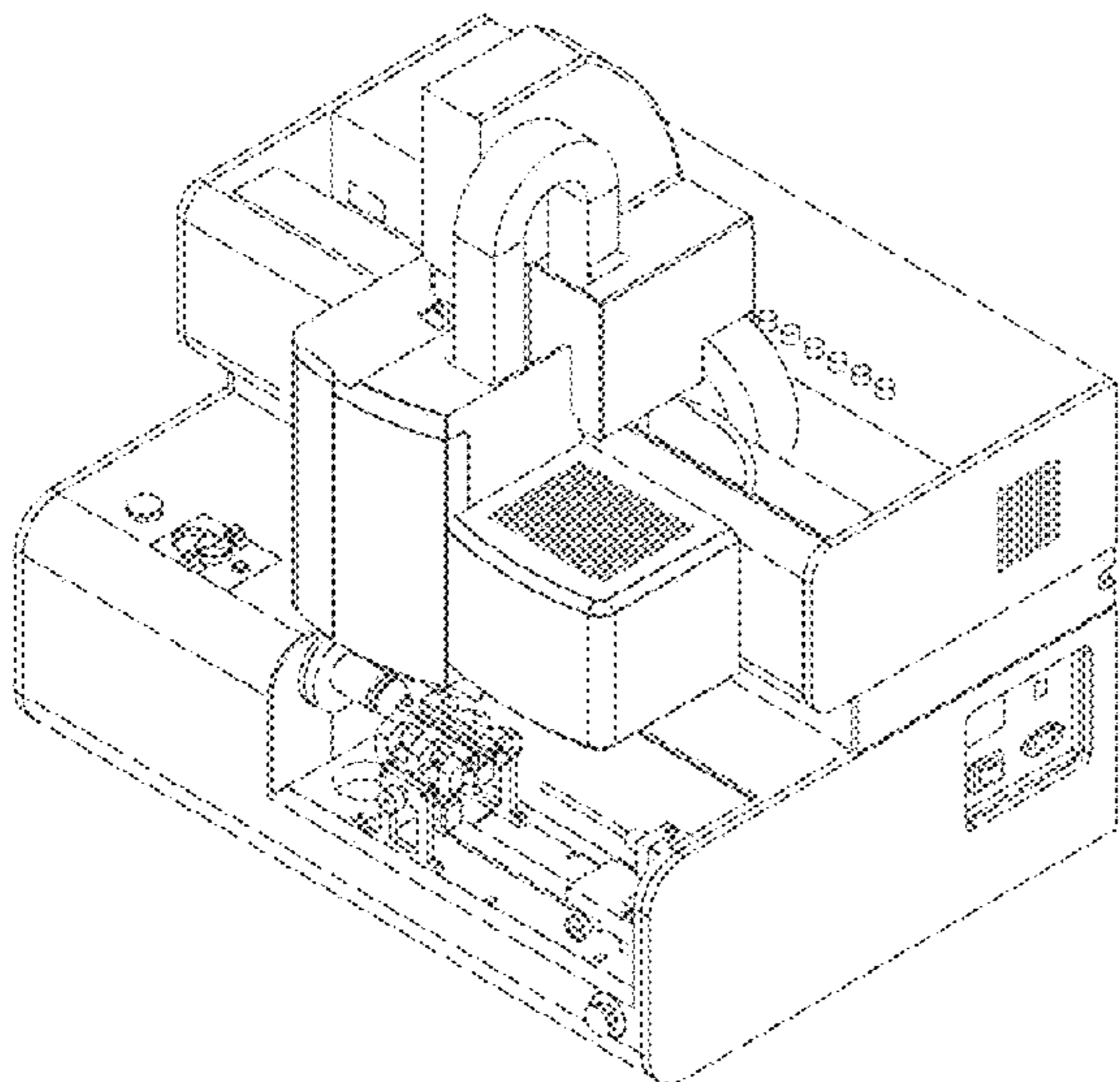
FIG. 4 is a rear elevation view thereof;

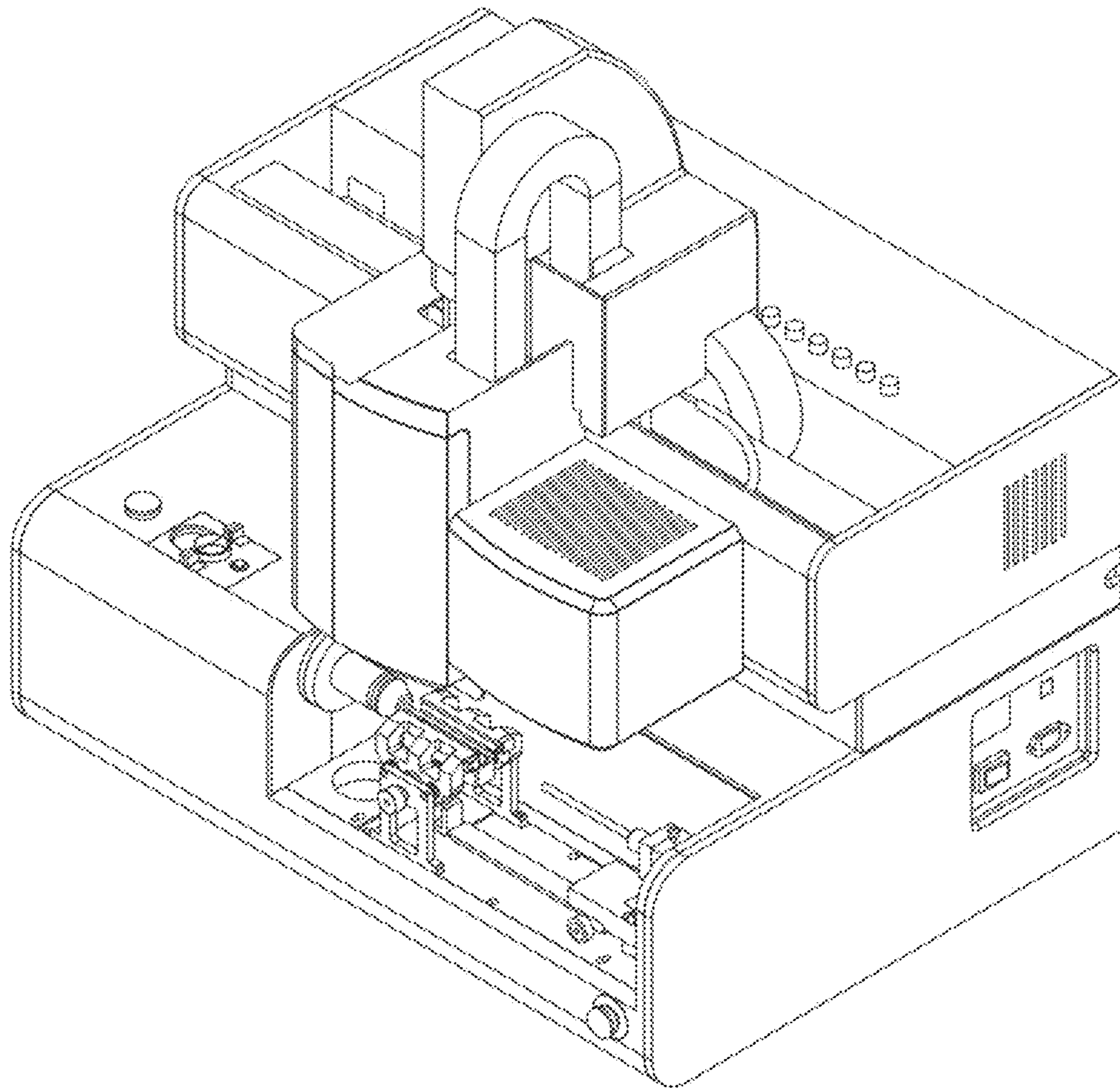
FIG. 5 is a side elevation view thereof;

FIG. 6 is an opposite side elevation view thereof; and,

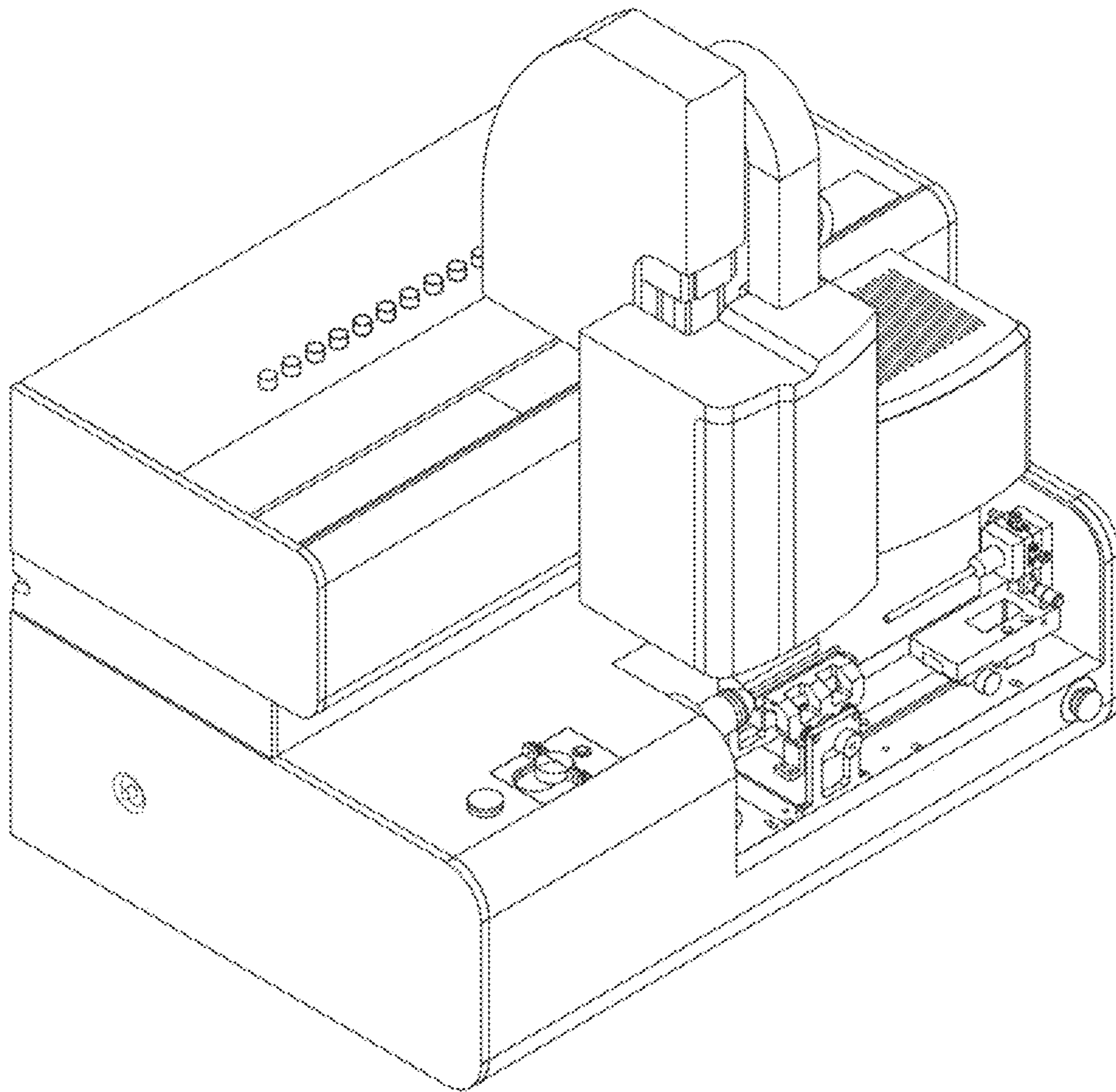
FIG. 7 is a top plan view thereof.

**1 Claim, 7 Drawing Sheets**



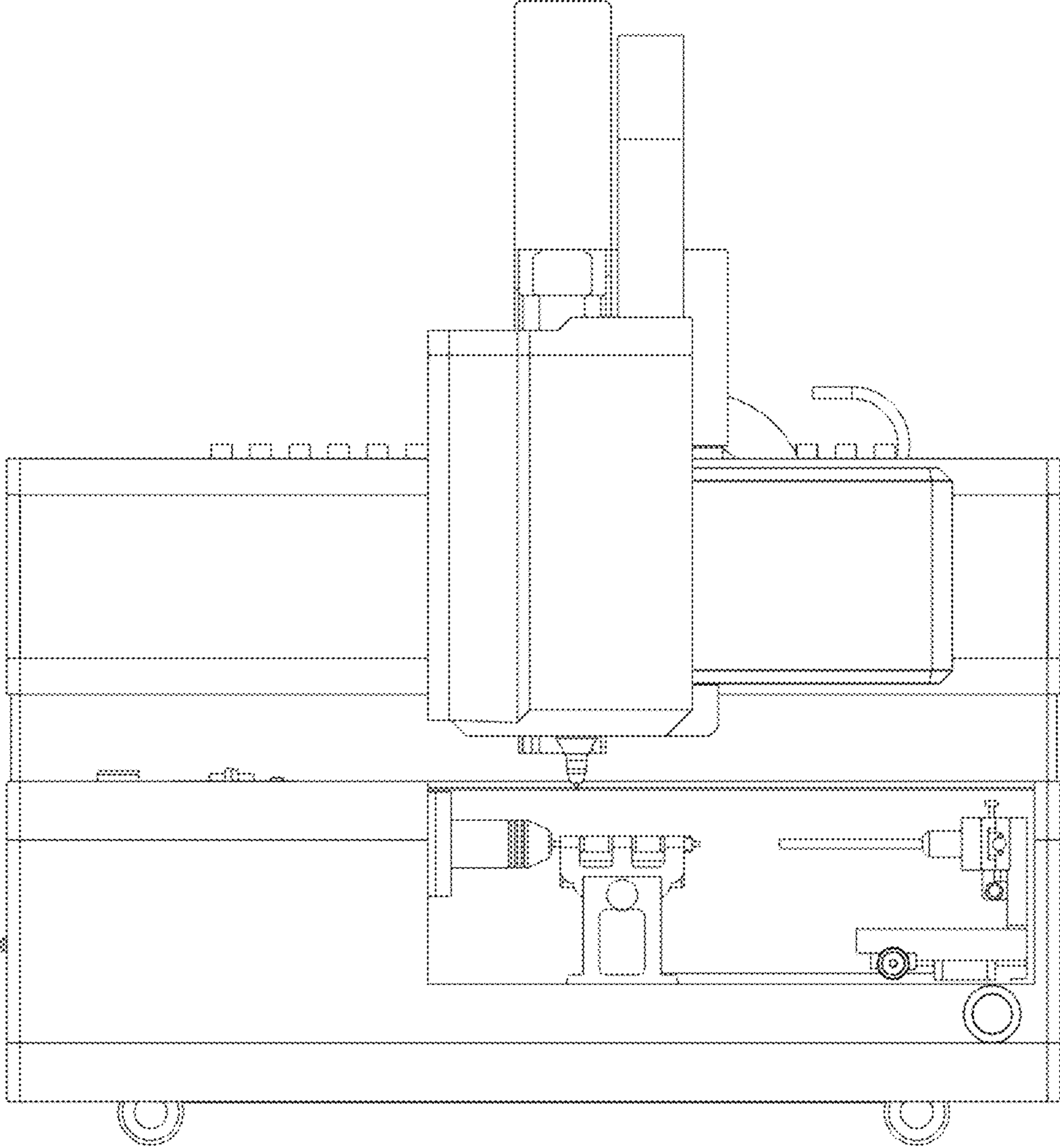


**FIG. 1**

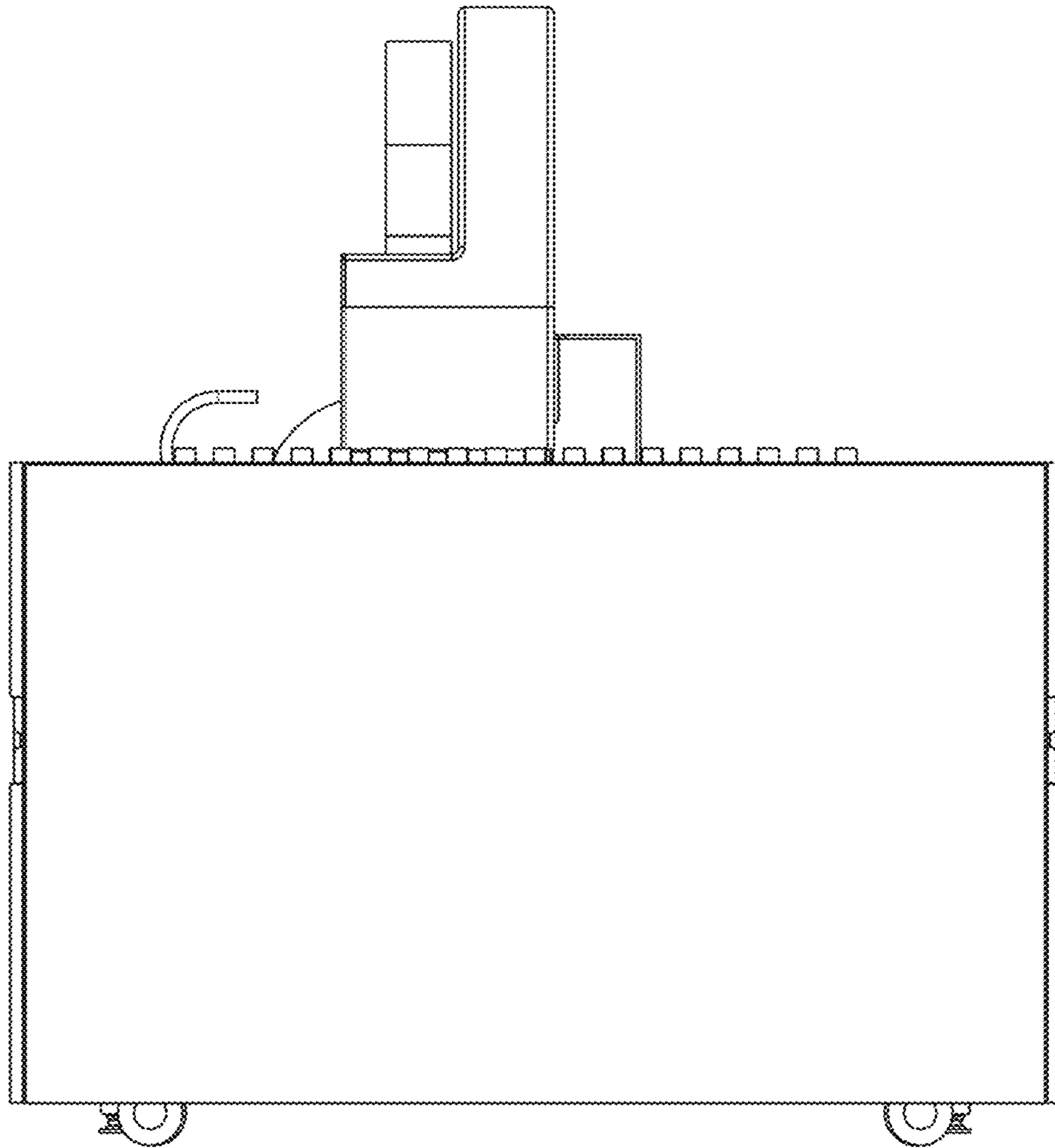


**FIG. 2**

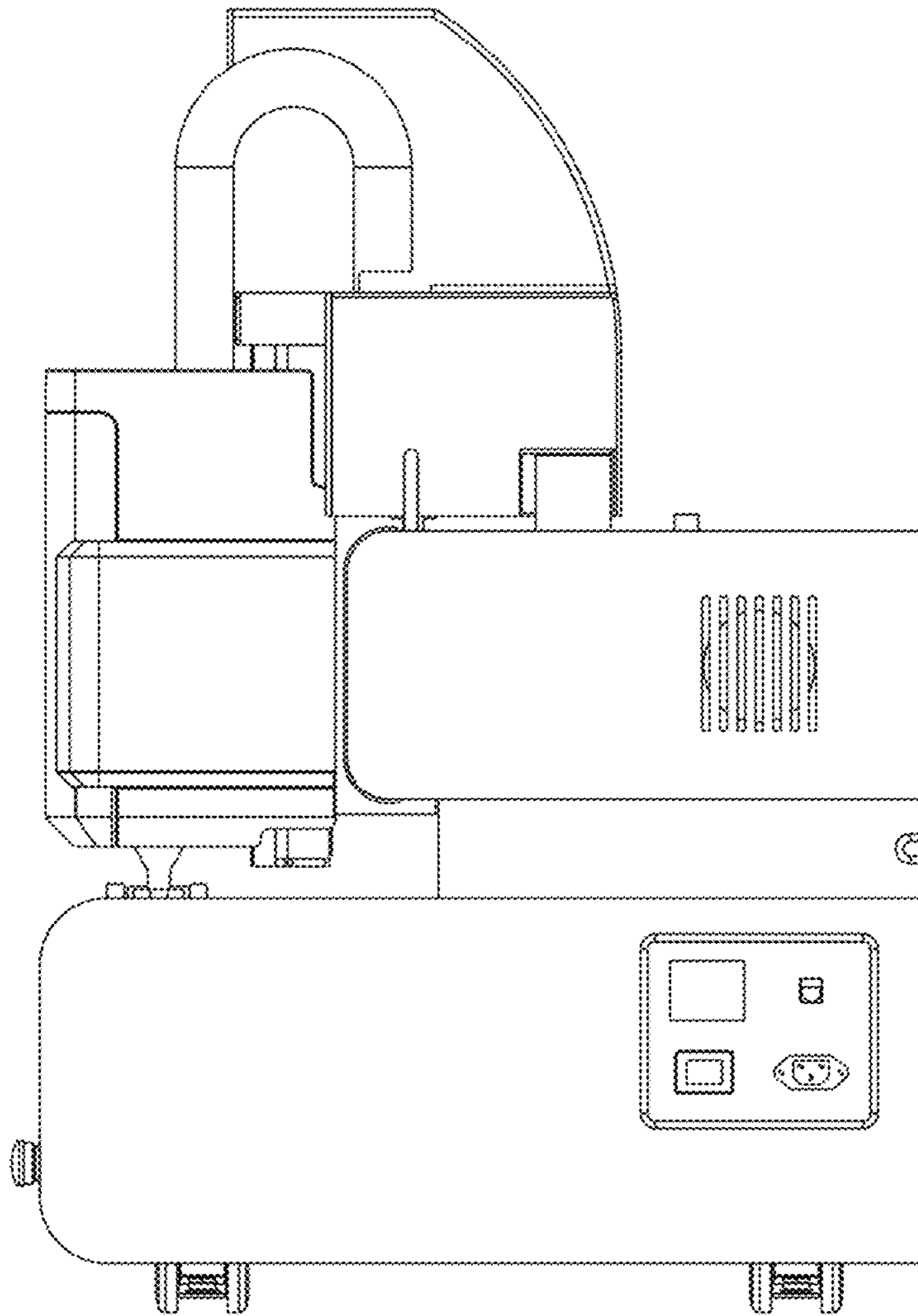




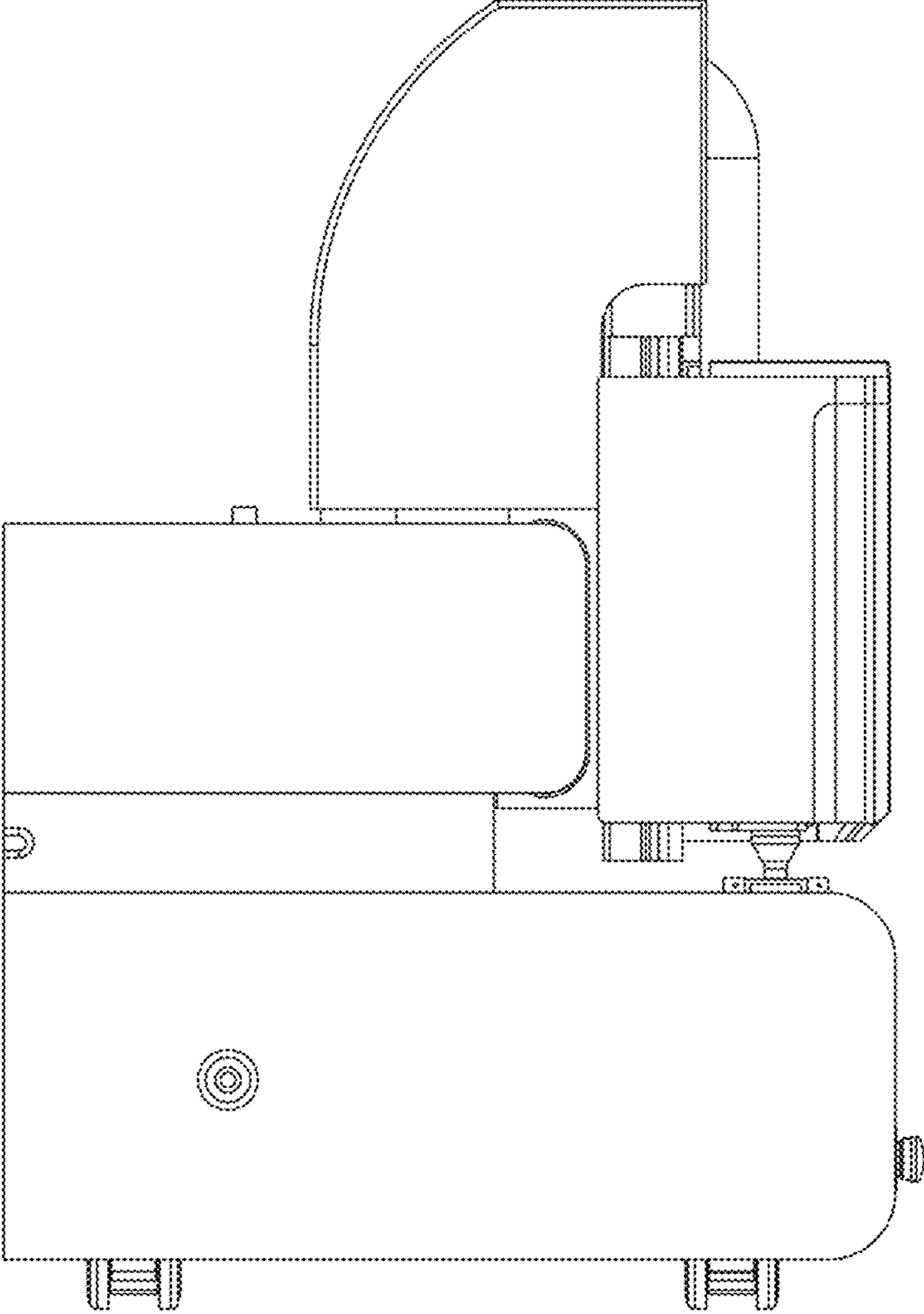
**FIG. 3**



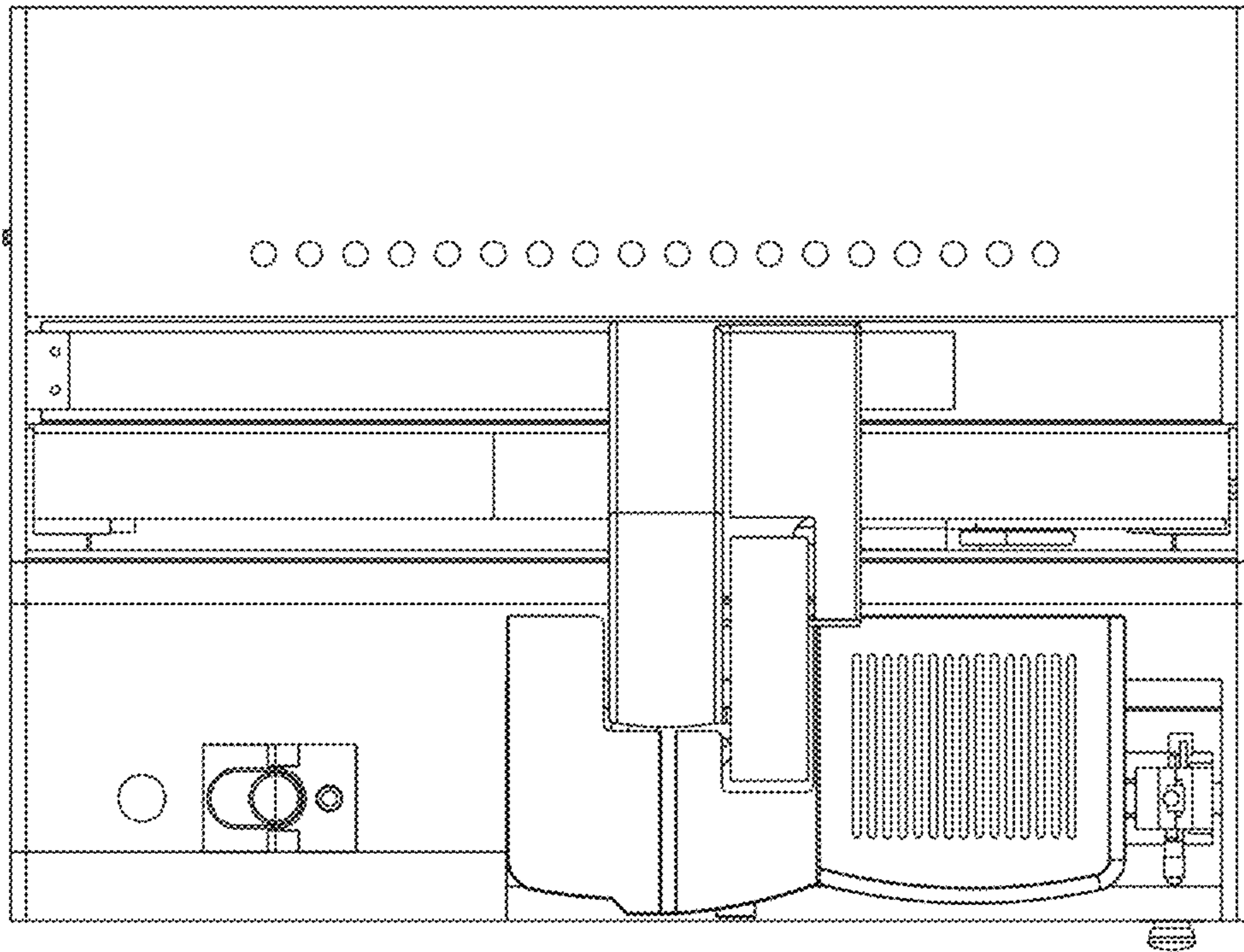
**FIG. 4**



**FIG. 5**



**FIG. 6**



**FIG. 7**