



US00D836682S

(12) **United States Design Patent**  
**McCurry et al.**

(10) **Patent No.:** **US D836,682 S**

(45) **Date of Patent:** **\*\* Dec. 25, 2018**

(54) **MULTI-COMPARTMENT MODULAR COOLER**

- (71) Applicant: **Walmart Apollo, LLC**, Bentonville, AR (US)
- (72) Inventors: **Nicholas Ray McCurry**, Bentonville, AR (US); **James Rich**, Bentonville, AR (US)
- (73) Assignee: **WALMART APOLLO, LLC**, Bentonville, AR (US)

(\*\*) Term: **15 Years**

(21) Appl. No.: **29/621,300**

(22) Filed: **Oct. 6, 2017**

**Related U.S. Application Data**

(63) Continuation-in-part of application No. 15/712,227, filed on Sep. 22, 2017.

(51) **LOC (11) Cl.** ..... **15-07**

(52) **U.S. Cl.**  
USPC ..... **D15/79**

(58) **Field of Classification Search**  
USPC ..... D15/79-91; D7/300, 300.1, 300.2, D7/304-318, 326, 397-399, 386, 605, D7/603  
CPC .. F25B 21/02; F25B 21/04; F25B 2321/0212; F25B 2321/02; F25B 2321/021; F25B 2321/0251; F25B 2339/041; F25B 2400/0417; F25B 2500/29; F25B 25/00; F25B 2600/2501; F25B 2700/2106; F25B 40/02; F25B 47/006; F25B 49/02; F25D

(Continued)

(56) **References Cited**

**U.S. PATENT DOCUMENTS**

- 4,978,023 A 12/1990 Behlmann et al.
- 5,699,925 A 12/1997 Petruzzi

(Continued)

**OTHER PUBLICATIONS**

“Excursion Picnic Cooler on Wheels,” Picnic-Basket.com, accessed Sep. 5, 2016.

(Continued)

*Primary Examiner* — Ian Simmons

*Assistant Examiner* — Khawaja Anwar

(74) *Attorney, Agent, or Firm* — Schmeiser, Olsen & Watts LLP

(57) **CLAIM**

The ornamental design for a multi-compartment modular cooler, as shown and described.

**DESCRIPTION**

FIG. 1 is a front isometric view of a multi-compartment modular cooler;

FIG. 2 is a rear isometric view thereof;

FIG. 3 is a front isometric view thereof illustrating the detachment of a top compartment from a lower compartment;

FIG. 4 is a front view thereof;

FIG. 5 is a rear view thereof;

FIG. 6 is a side view thereof;

FIG. 7 is an opposite side view thereof;

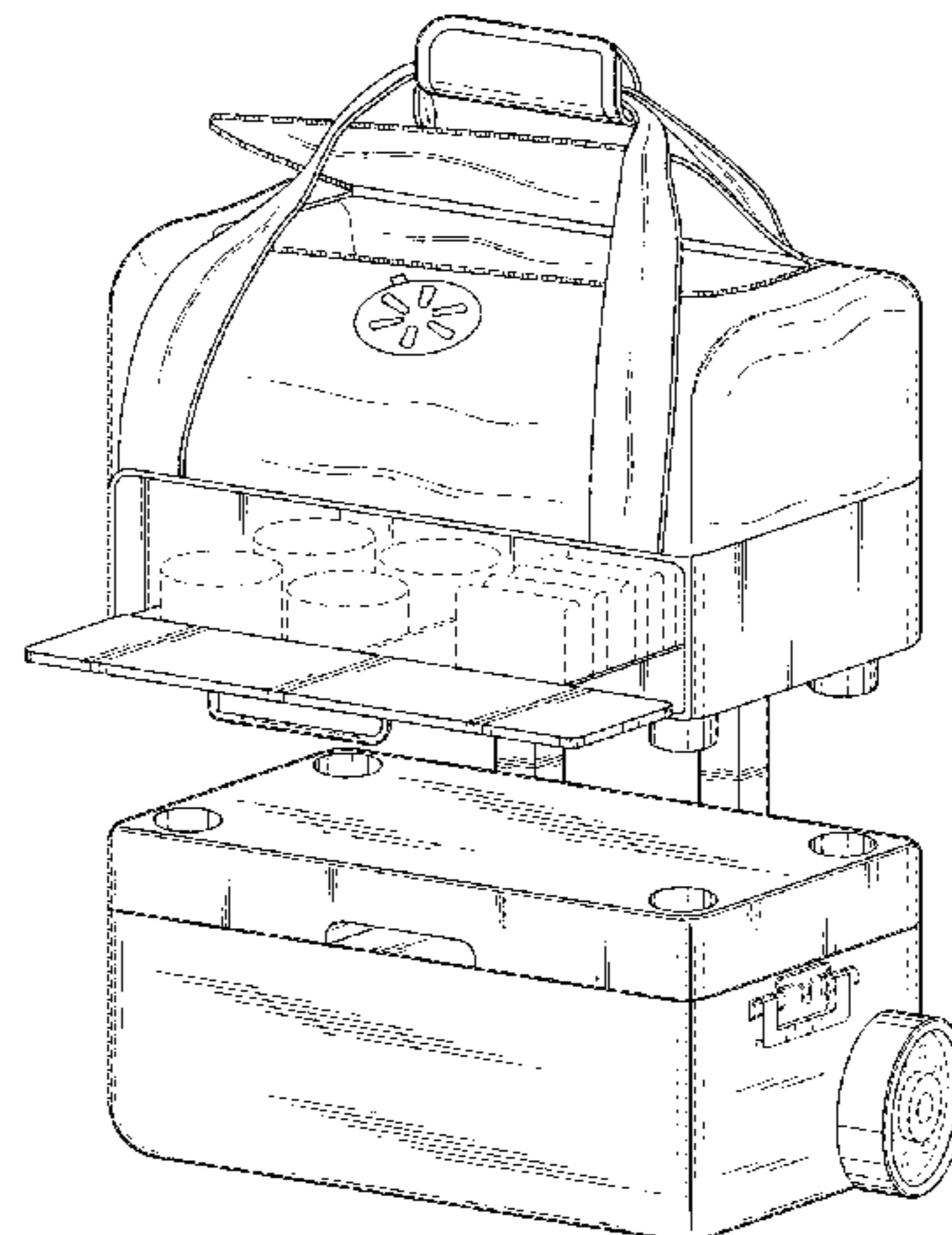
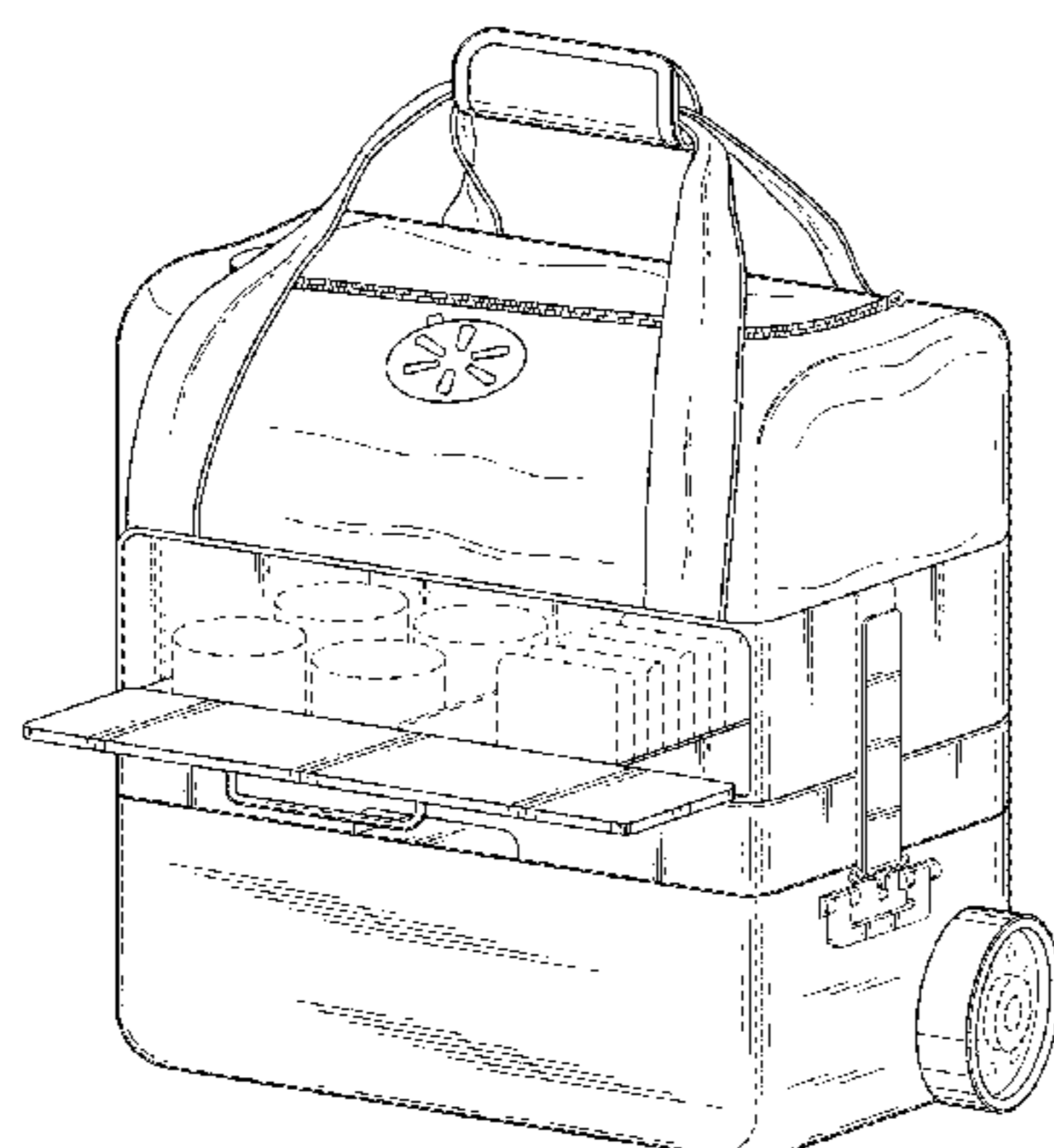
FIG. 8 is a top view thereof;

FIG. 9 is a bottom view thereof;

FIG. 10 is a front isometric view of the lower compartment of the multi-compartment modular cooler in an open configuration; and,

FIG. 11 is a top view of the lower compartment of the multi-compartment modular cooler in an open configuration. The broken lines in the figure drawings show unclaimed portions of the multi-compartment modular cooler, and form no part of the claimed design.

**1 Claim, 10 Drawing Sheets**



(58) **Field of Classification Search**  
 CPC .... 11/00; F25D 2317/0671; F25D 2317/0672;  
 F25D 23/02; F25D 25/028; F25D 31/005  
 See application file for complete search history.

(56) **References Cited**

U.S. PATENT DOCUMENTS

6,895,778	B1	5/2005	Ackerman	
7,122,763	B1	10/2006	Liu et al.	
D674,245	S *	1/2013	Williams, Jr.	..... D7/605
8,479,947	B1	7/2013	Albrecht, II	
8,863,546	B2	10/2014	Oberweis	
8,925,752	B2	1/2015	Smith	
D732,327	S *	6/2015	Ciuksza, Jr.	..... D7/300
9,616,562	B2 *	4/2017	Hoppe	..... A45C 7/0045
9,976,789	B2 *	5/2018	Grepper	..... F25D 23/00
2005/0155265	A1	7/2005	Coleman-Chang	
2005/0263527	A1 *	12/2005	Maldonado	..... A45C 11/20 220/592.2
2005/0279123	A1	12/2005	Maldonado et al.	
2005/0279124	A1 *	12/2005	Maldonado	..... F25D 3/08 62/457.7
2007/0028642	A1	2/2007	Glade et al.	
2007/0215425	A1 *	9/2007	Slater	..... A01K 1/0254 190/115
2007/0234615	A1	10/2007	Pendzich	

2008/0022712	A1 *	1/2008	Carr	..... F24F 5/0017 62/425
2008/0245793	A1	10/2008	Hanson et al.	
2009/0049860	A1 *	2/2009	Manner	..... A63B 63/08 62/457.7
2011/0220531	A1	9/2011	Meether et al.	
2013/0161143	A1 *	6/2013	Kinskey	..... A45C 5/14 190/18 A
2013/0327608	A1 *	12/2013	Murdoch	..... A45C 5/14 190/18 A

OTHER PUBLICATIONS

“Teikis® 2 Bottles Wine Travel Bag,” GreatBartender.com, accessed Sep. 5, 2016.

“Trailmate™ 70-qt. Cooler,” Walmart.com, accessed Sep. 5, 2016.

“Fashion casual nice looking sports cooler bag on wheels,” OEM, LuLuSoSo.com, accessed Sep. 5, 2016.

“Backpack w/Removable Insulated Cooler Section,” KeepYourCooler.com, accessed Sep. 5, 2016.

Greenberg, Julia “The Chemical Reactions that make Hand Warmers Heat Up,” Wired.com, Sep. 26, 2014; 3 pages.

International Search Report & Written Opinion in International Patent Application No. PCT/US17/52857, dated Dec. 14, 2018; 11 pages.

\* cited by examiner

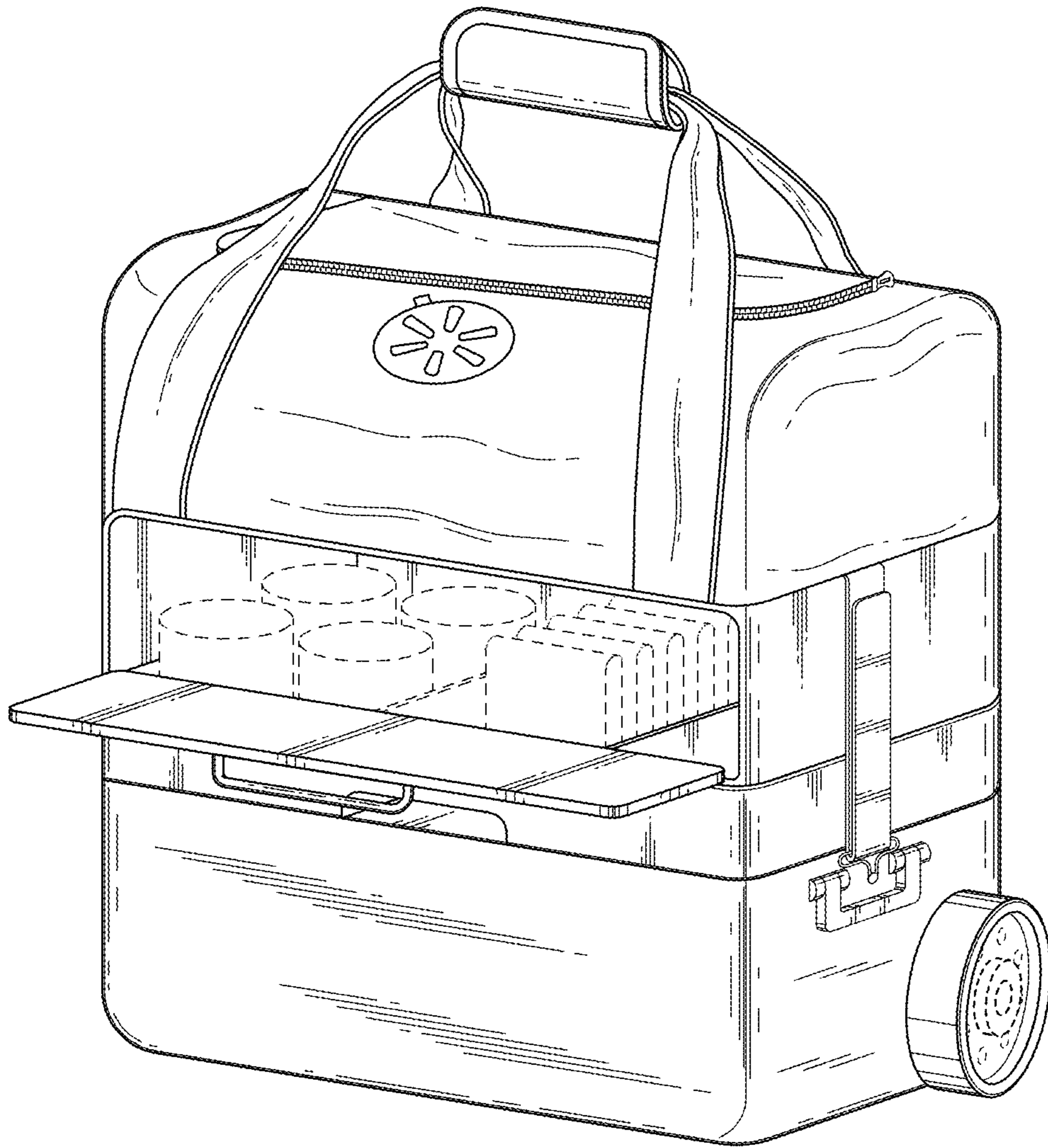


FIG. 1



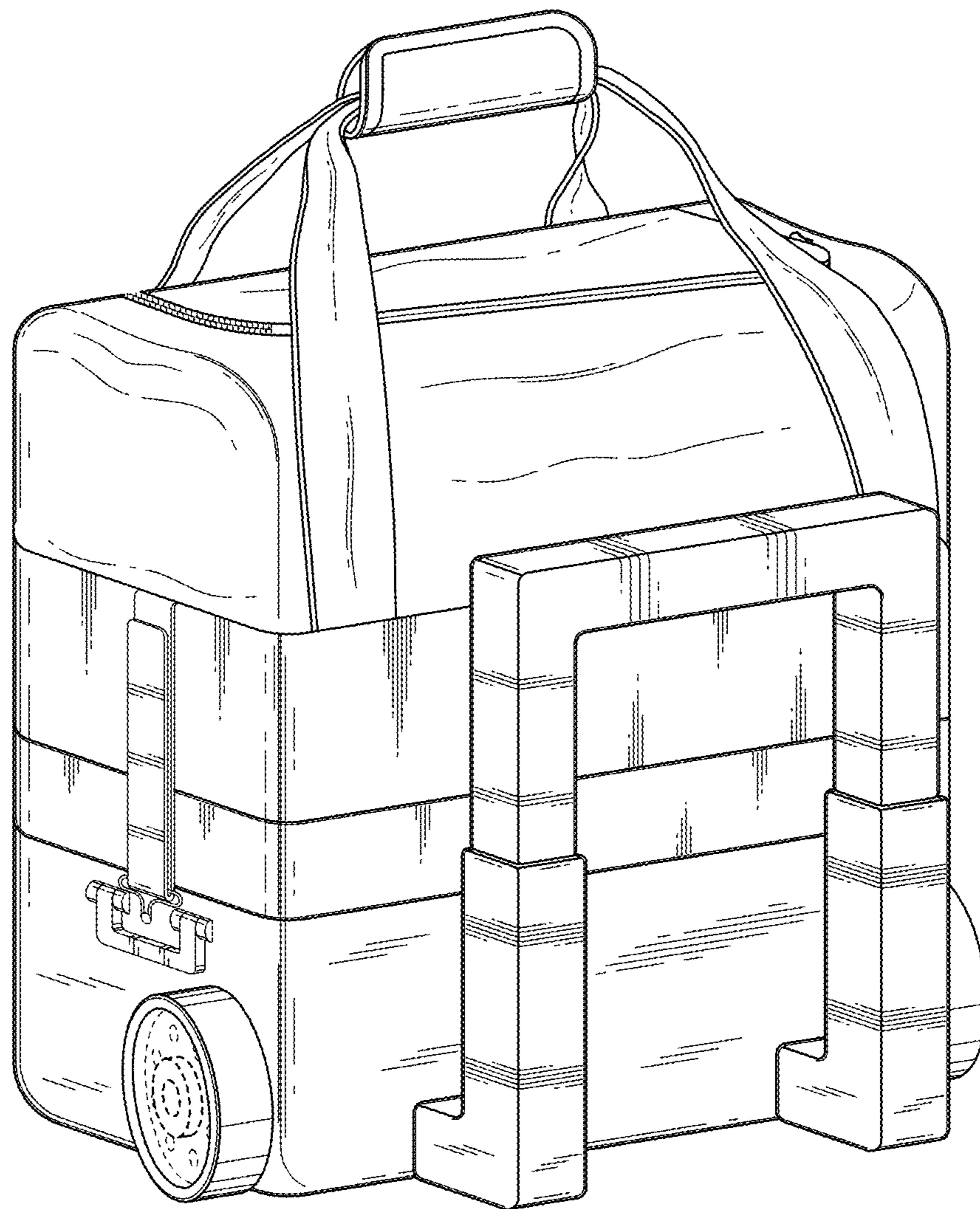


FIG. 2

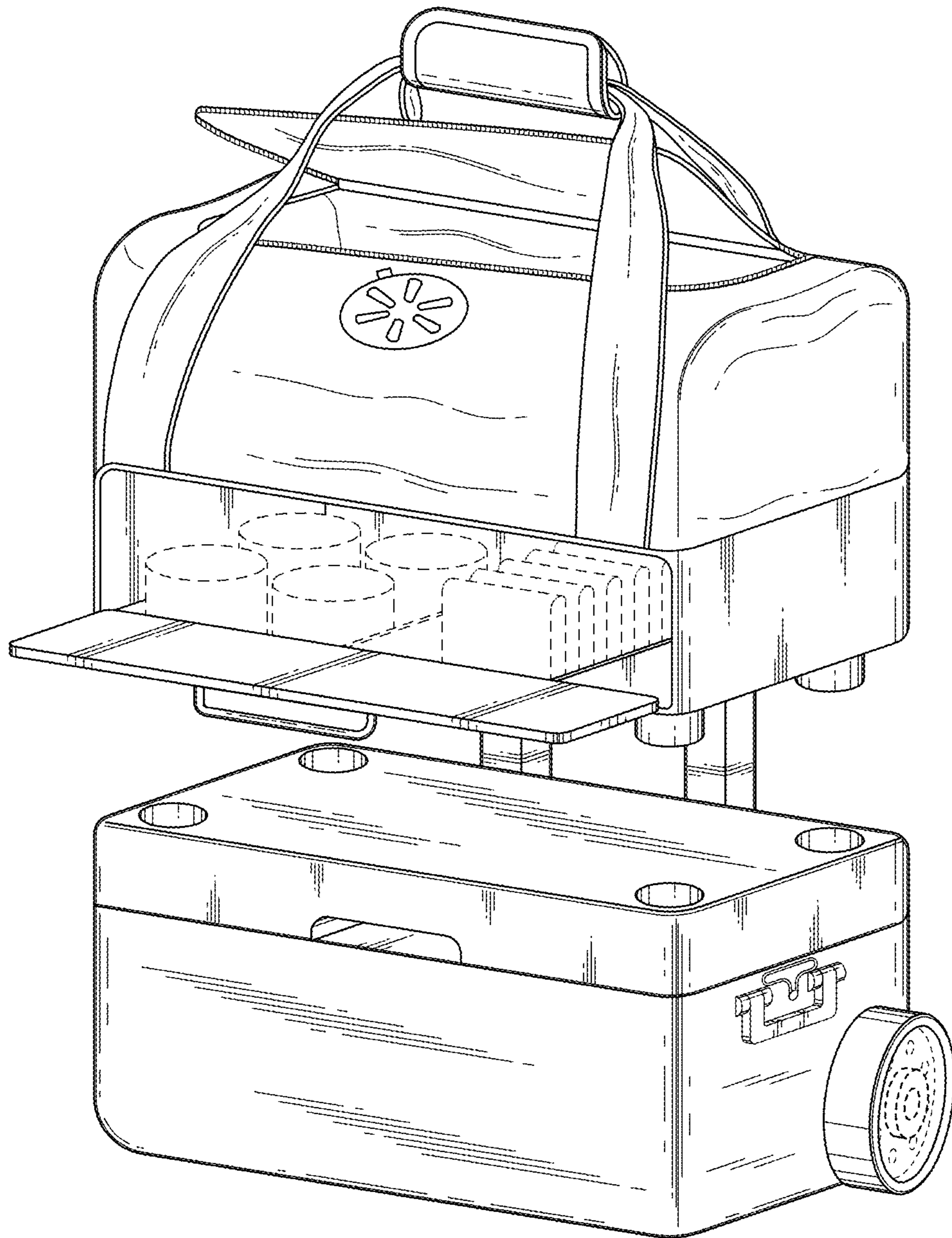


FIG. 3

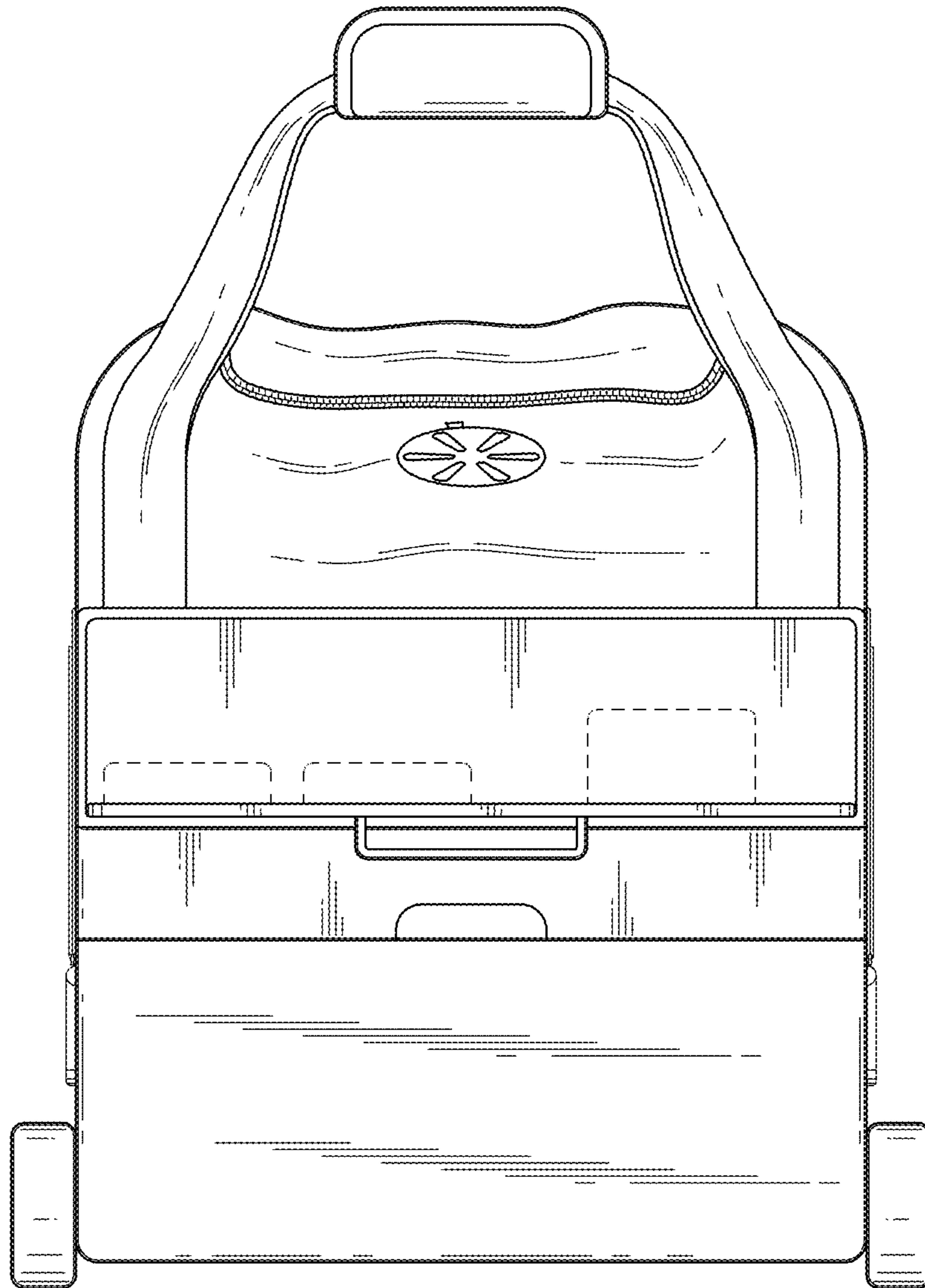


FIG. 4

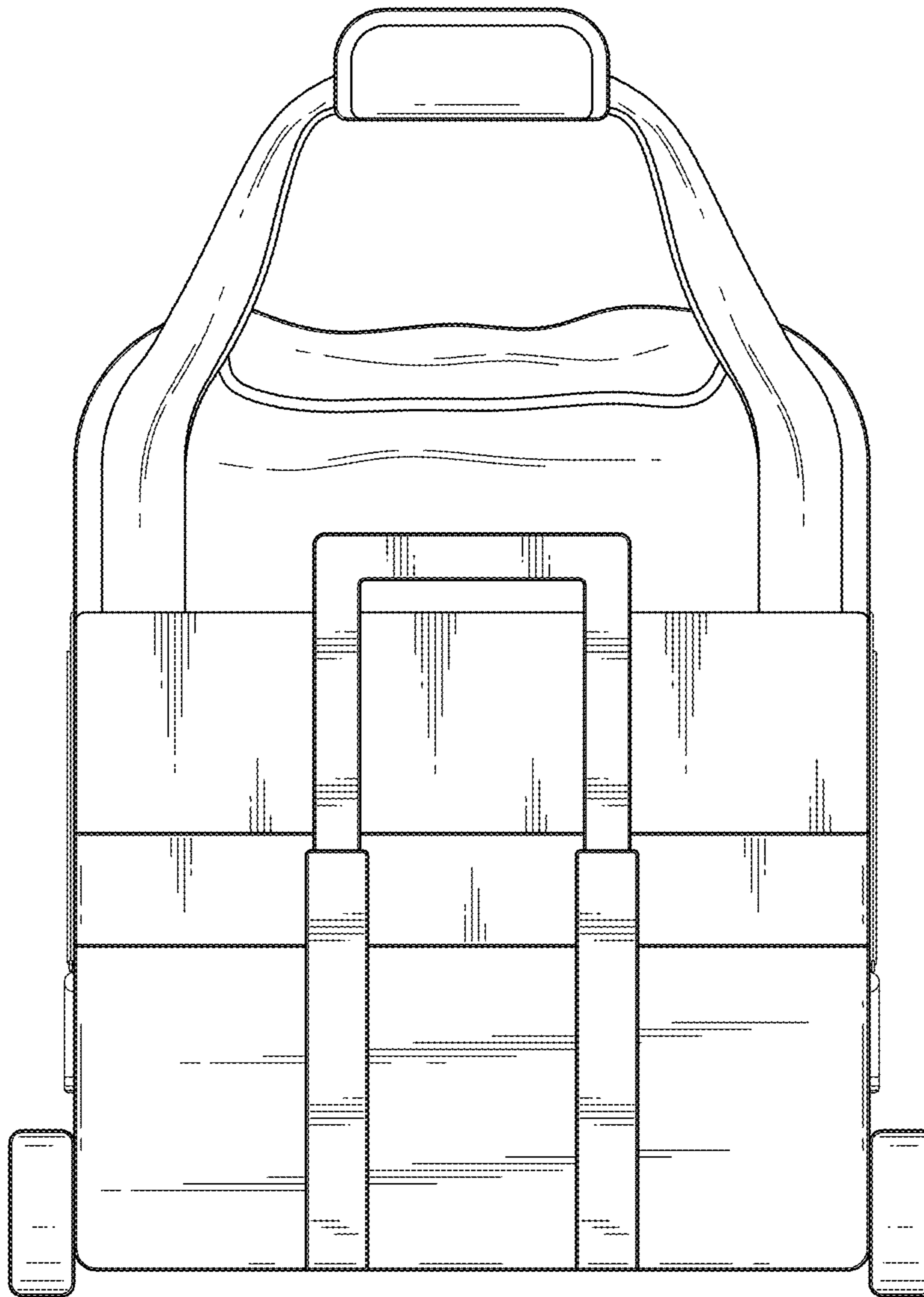


FIG. 5

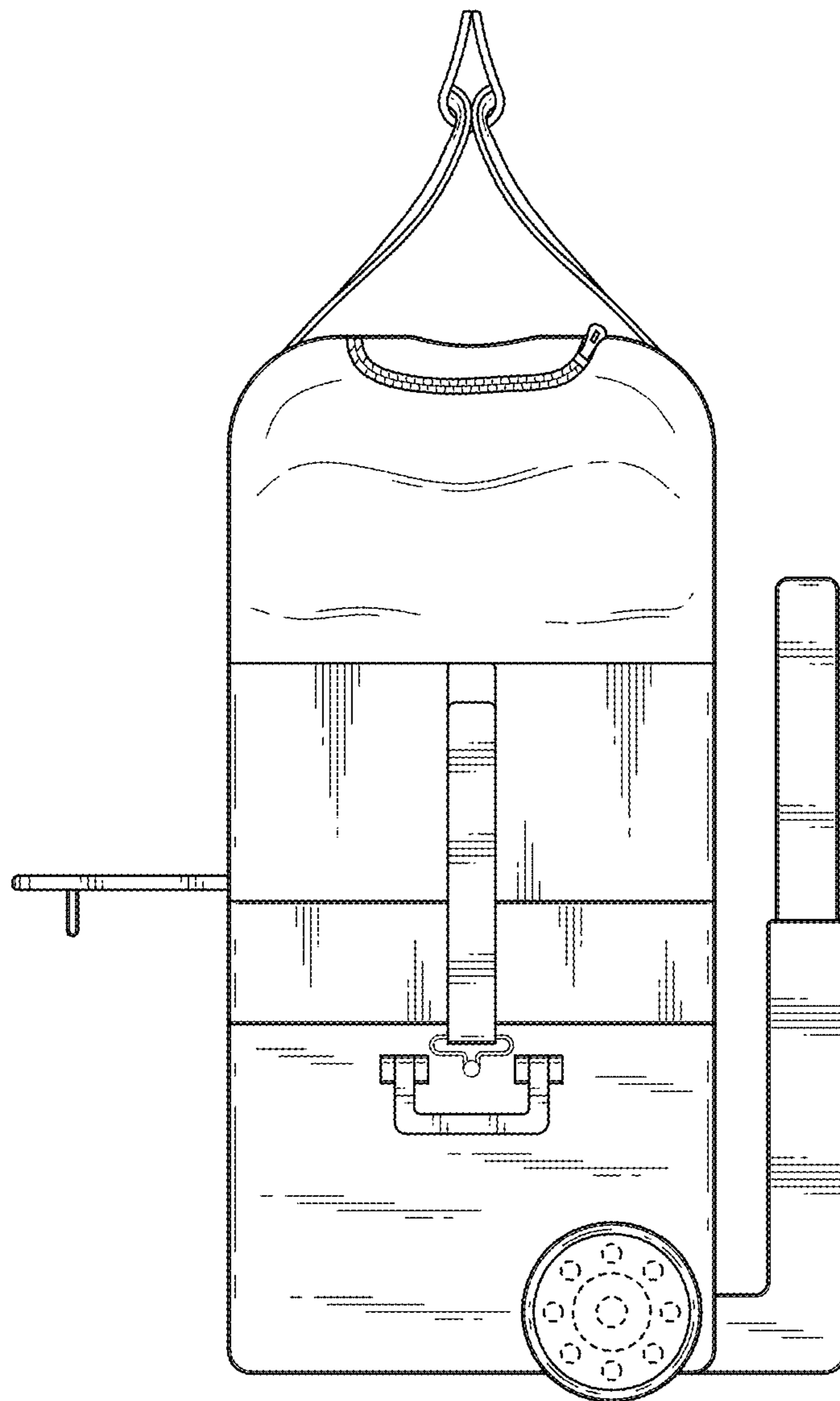


FIG. 6



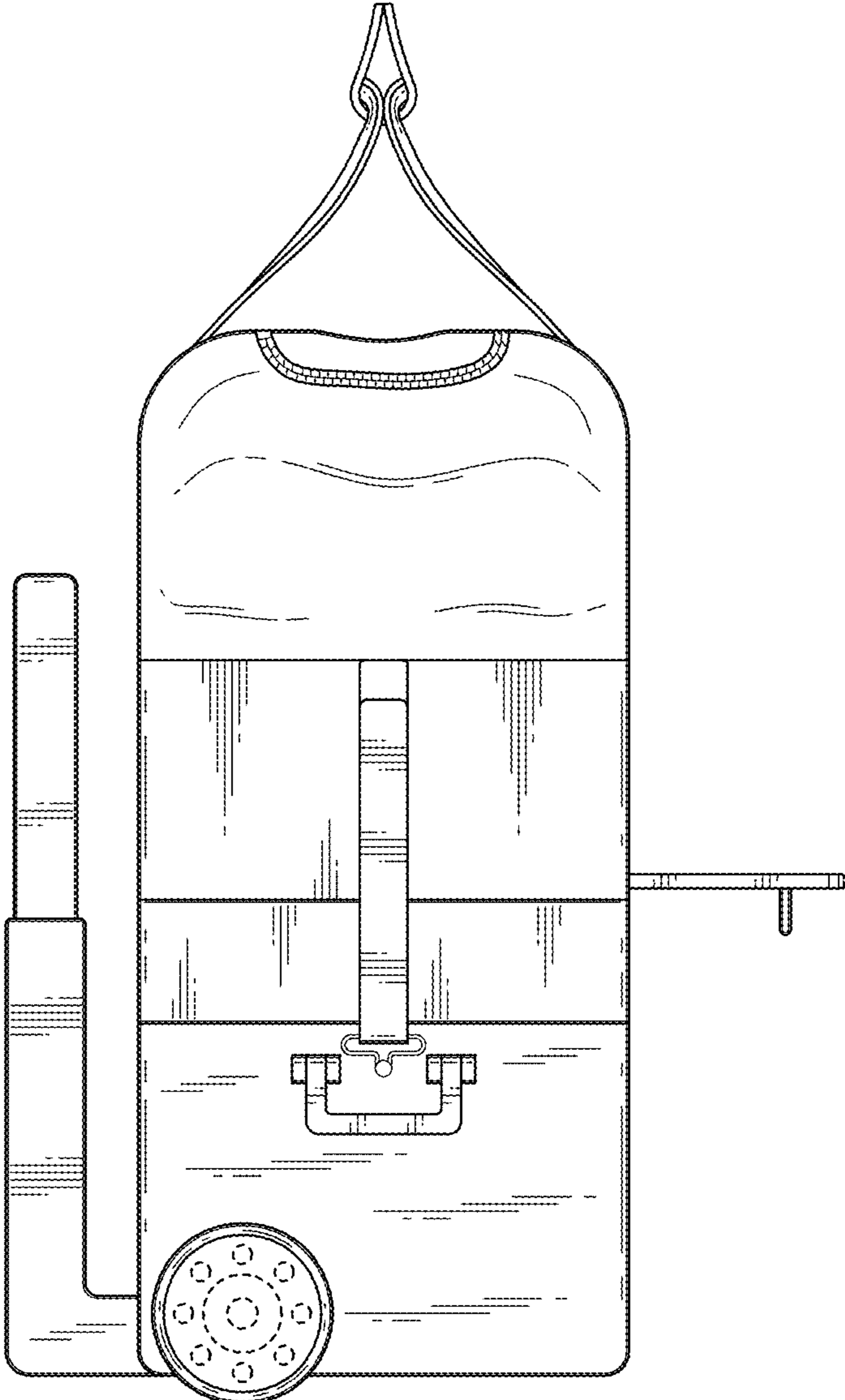


FIG. 7

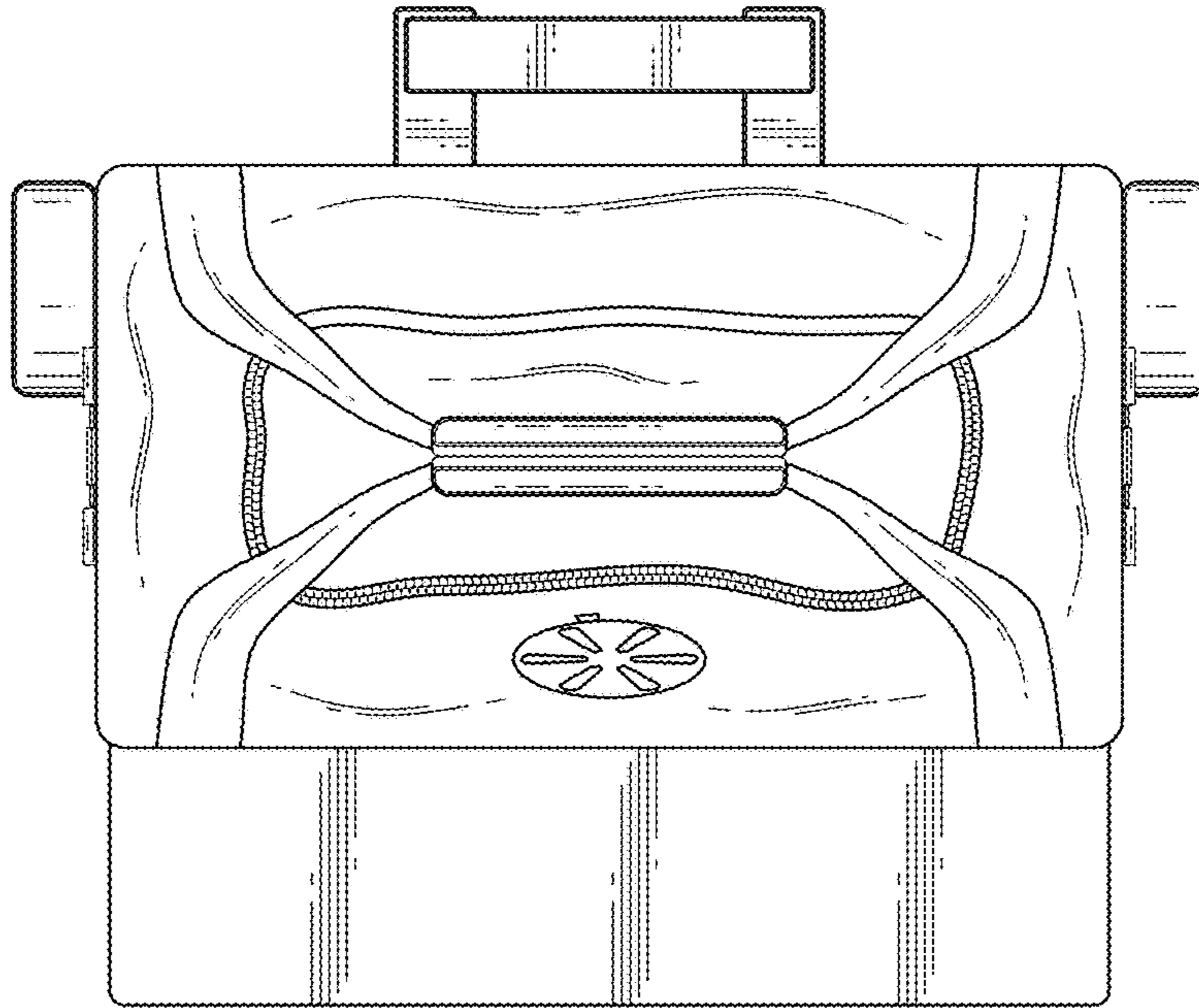


FIG. 8

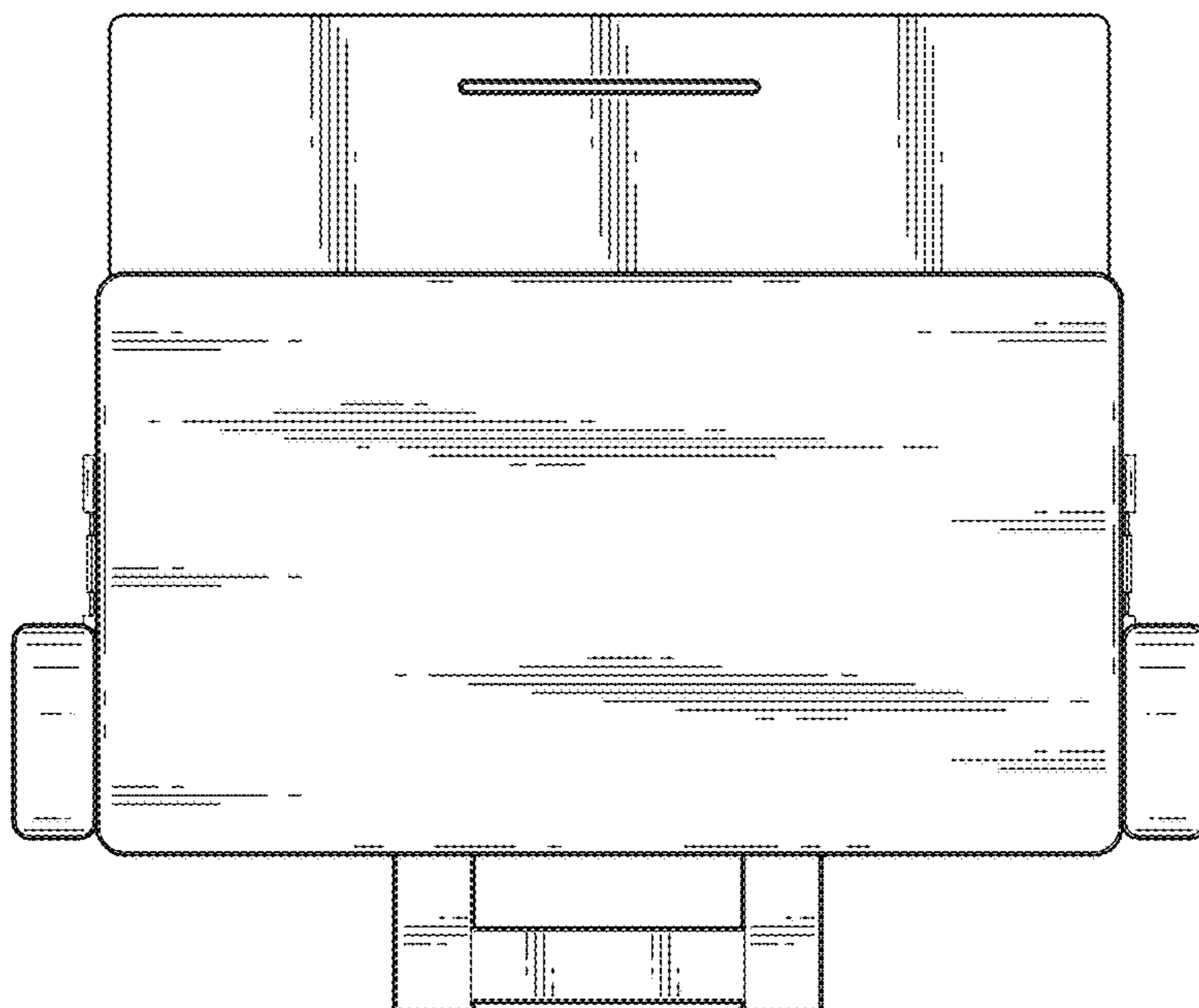


FIG. 9

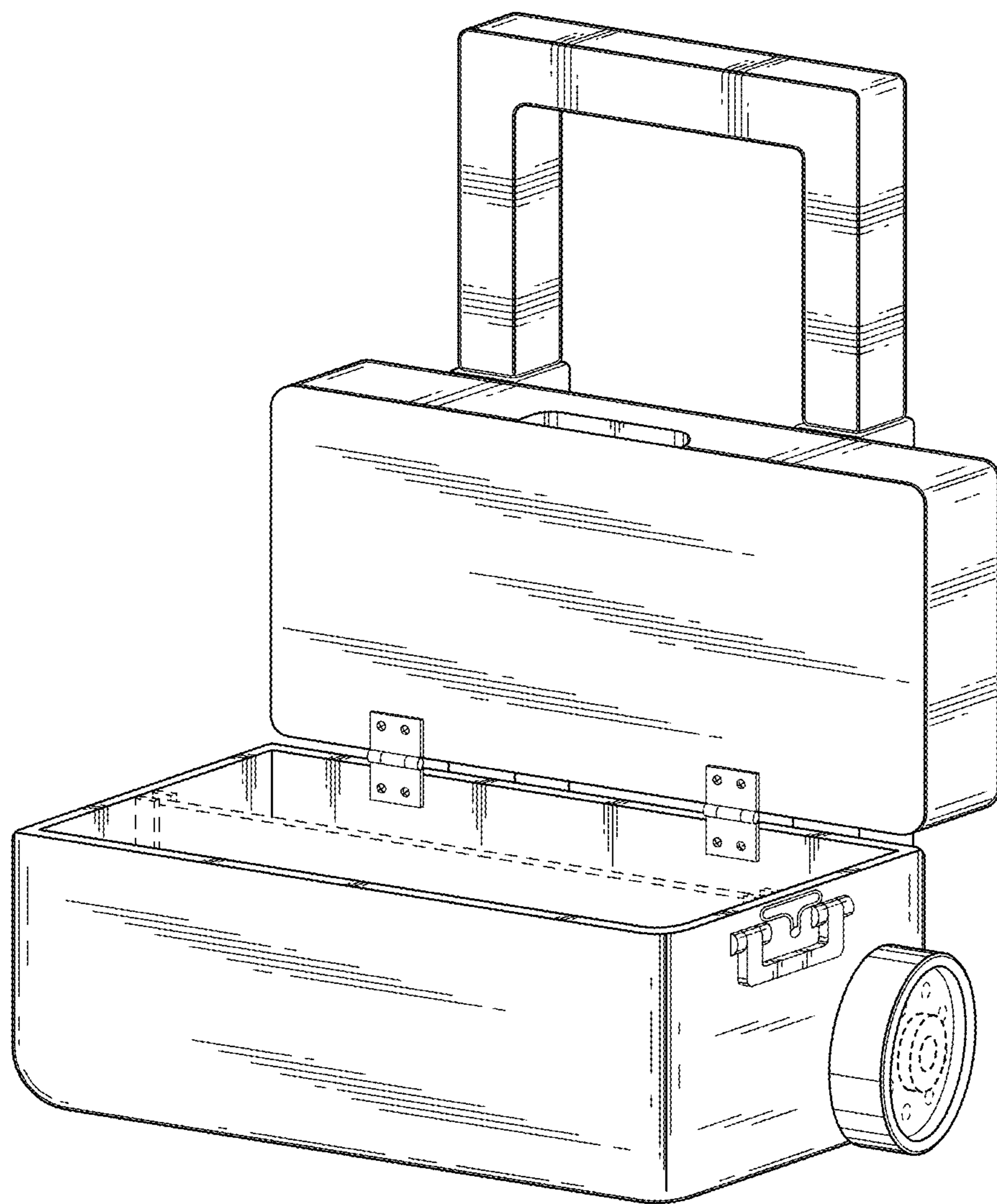


FIG. 10

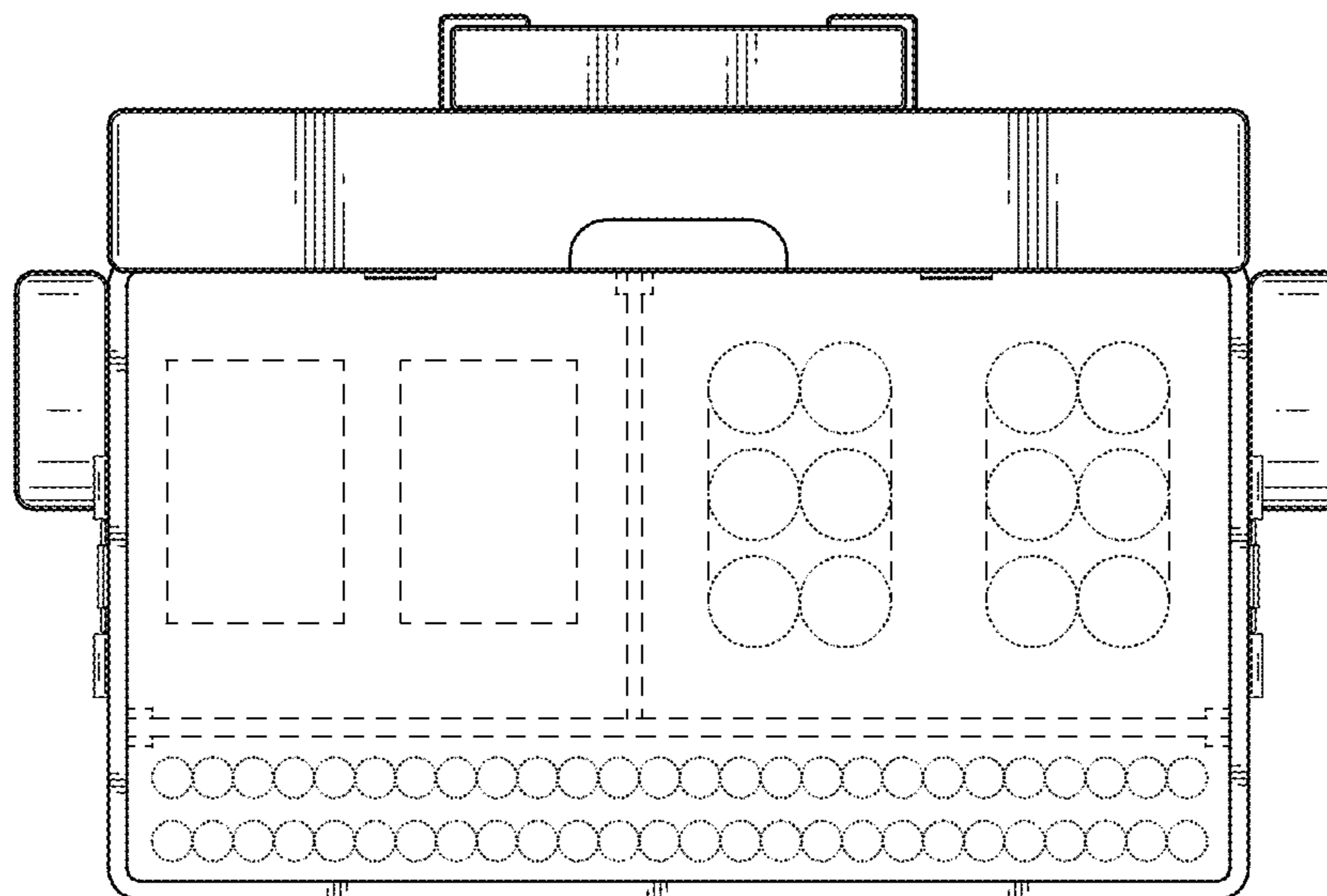


FIG. 11