



US00D836681S

(12) **United States Design Patent**
Kil

(10) **Patent No.:** **US D836,681 S**

(45) **Date of Patent:** **** Dec. 25, 2018**

(54) **SEWING MACHINE**

(71) Applicant: **BROTHER INDUSTRIES, LTD.**,
Nagoya-shi, Aichi-ken (JP)

(72) Inventor: **Jihoon Kil**, Nagoya (JP)

(73) Assignee: **BROTHER INDUSTRIES, LTD.**,
Nagoya (JP)

(**) Term: **15 Years**

(21) Appl. No.: **29/617,970**

(22) Filed: **Sep. 18, 2017**

(51) **LOC (11) Cl.** **15-06**

(52) **U.S. Cl.**
USPC **D15/69**

(58) **Field of Classification Search**
USPC D15/66-78
CPC D05B 1/00-25/00
See application file for complete search history.

(56) **References Cited**

U.S. PATENT DOCUMENTS

2,854,935 A * 10/1958 Bungert D05B 19/00
112/464
D482,703 S 11/2003 Kuroki

D515,109 S * 2/2006 Iwai D15/69
D687,870 S * 8/2013 Hattori D15/69
8,763,544 B2 * 7/2014 Okuyama D05B 19/12
112/470.04
D768,211 S * 10/2016 Mcvey D15/69
D812,648 S * 3/2018 Mcvey D15/69

* cited by examiner

Primary Examiner — Mitchell I. Siegel

(74) *Attorney, Agent, or Firm* — Oliff PLC

(57) **CLAIM**

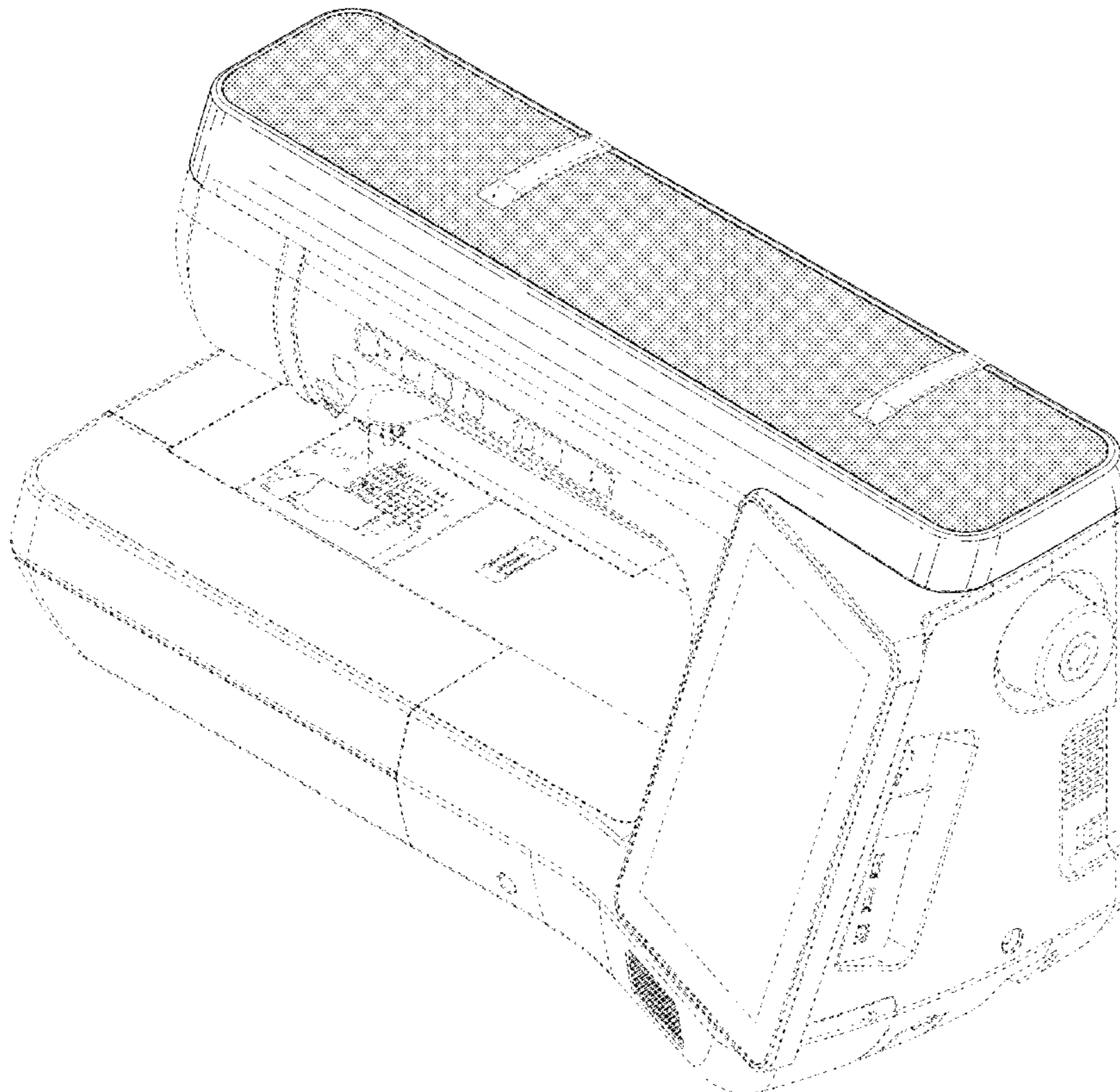
The ornamental design for a sewing machine, as shown and described.

DESCRIPTION

FIG. 1 is a perspective view of a sewing machine;
FIG. 2 is a front view thereof;
FIG. 3 is a top view thereof;
FIG. 4 is a right-side view thereof;
FIG. 5 is a left-side view thereof; and,
FIG. 6 is a rear view thereof.

The broken lines depict unclaimed portions of the sewing machine and form no part of the claimed design. The shaded portion on the top of the sewing machine is intended to illustrate a color contrast with the remainder of the sewing machine.

1 Claim, 5 Drawing Sheets



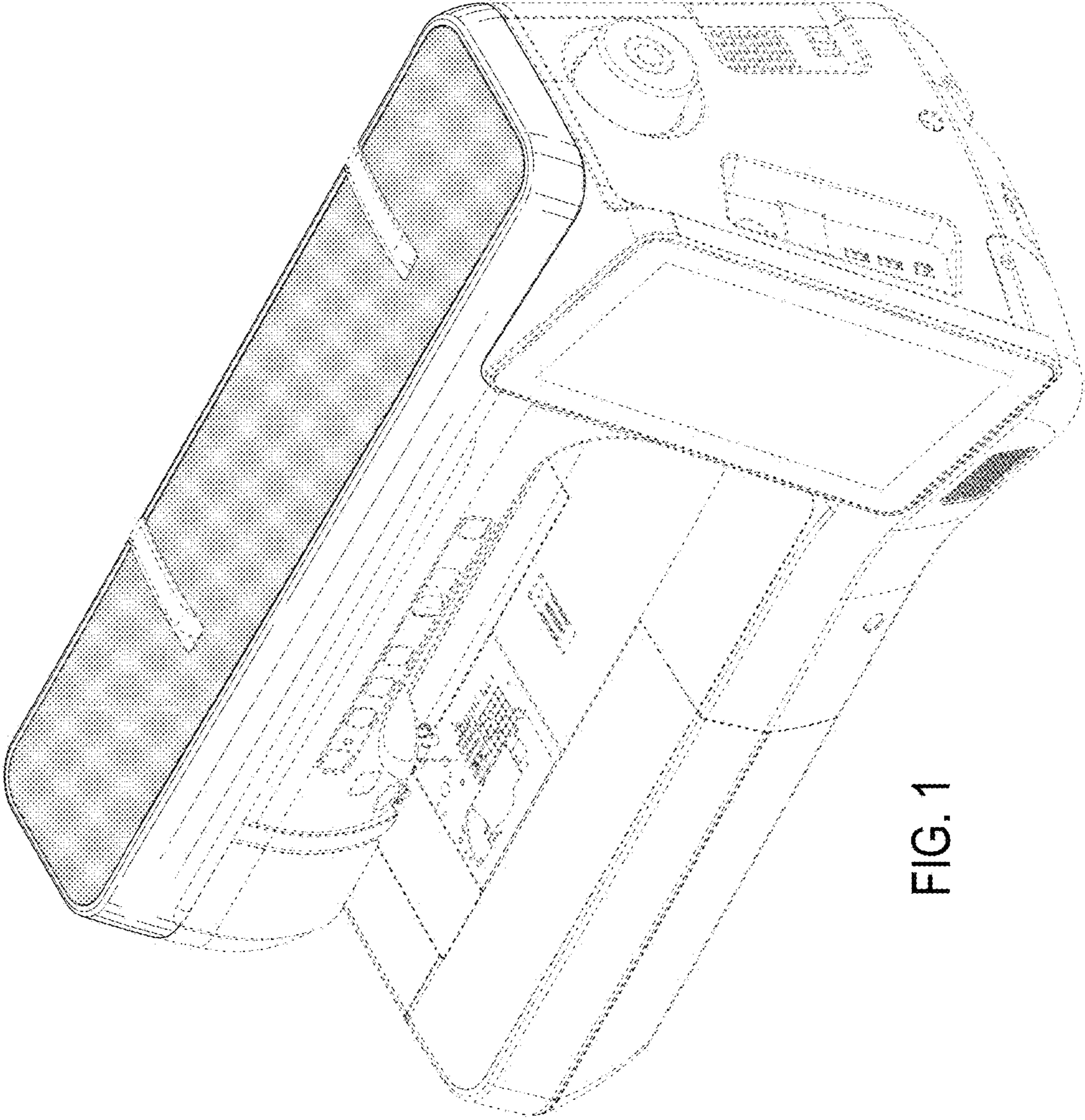


FIG. 1

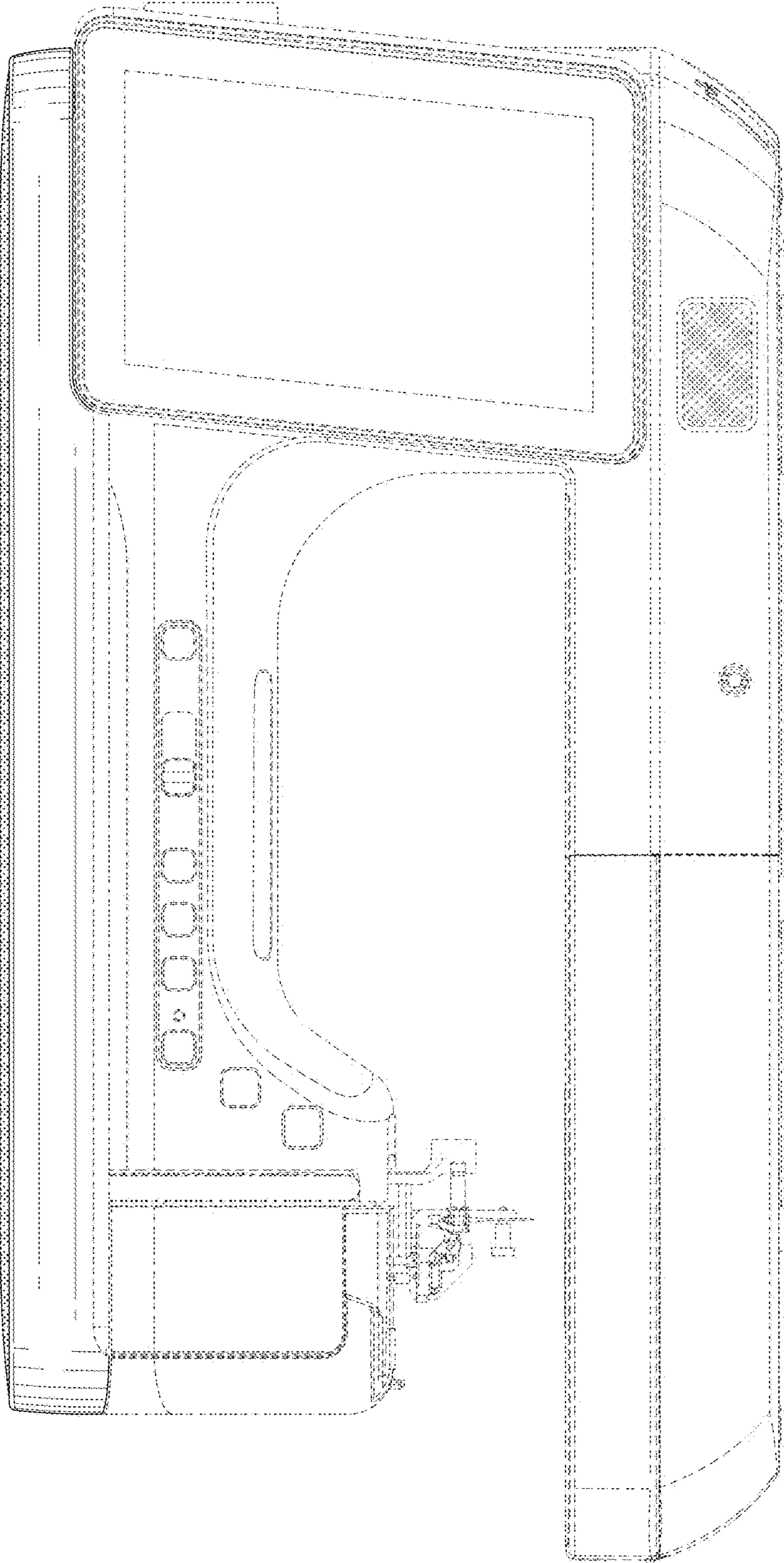


FIG. 2

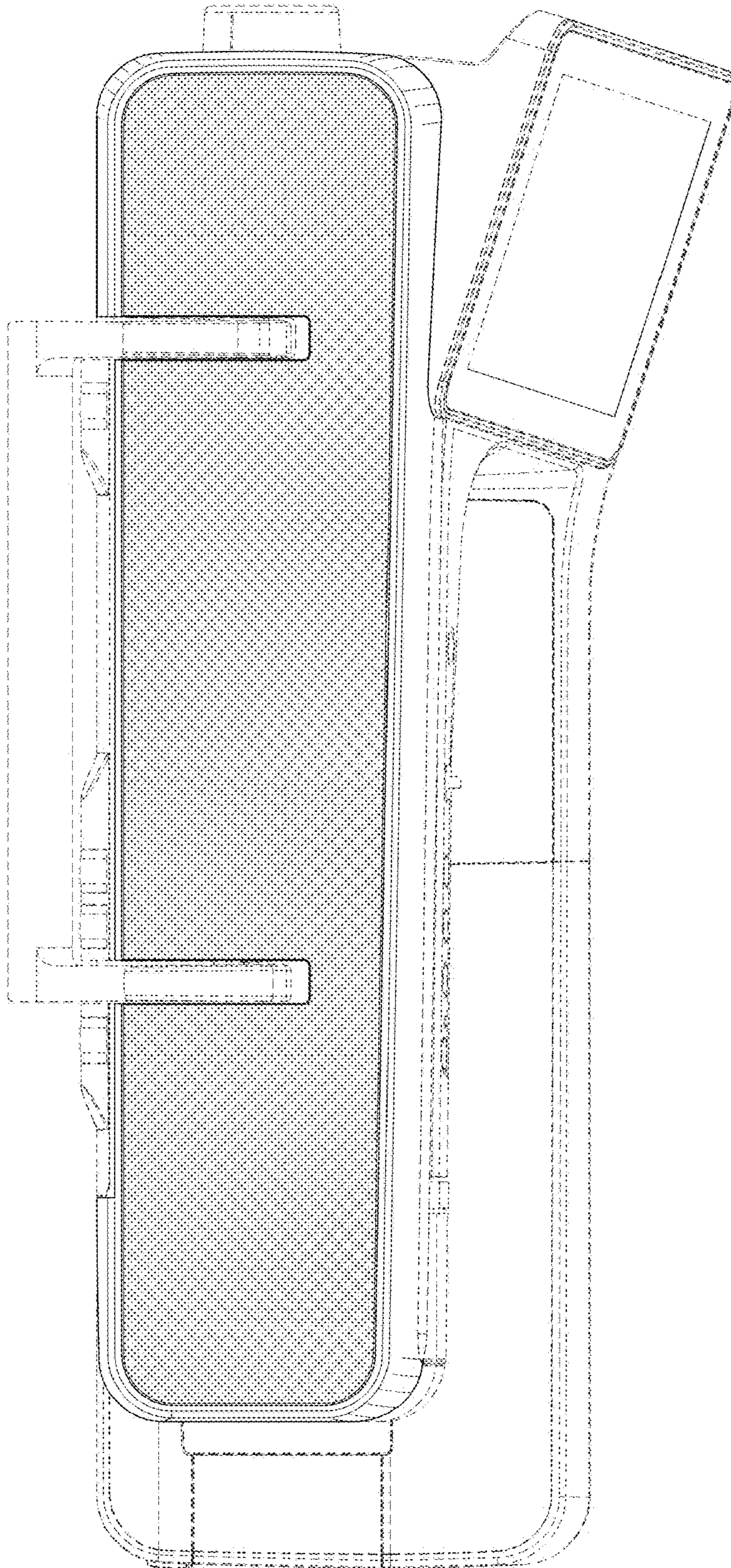


FIG. 3

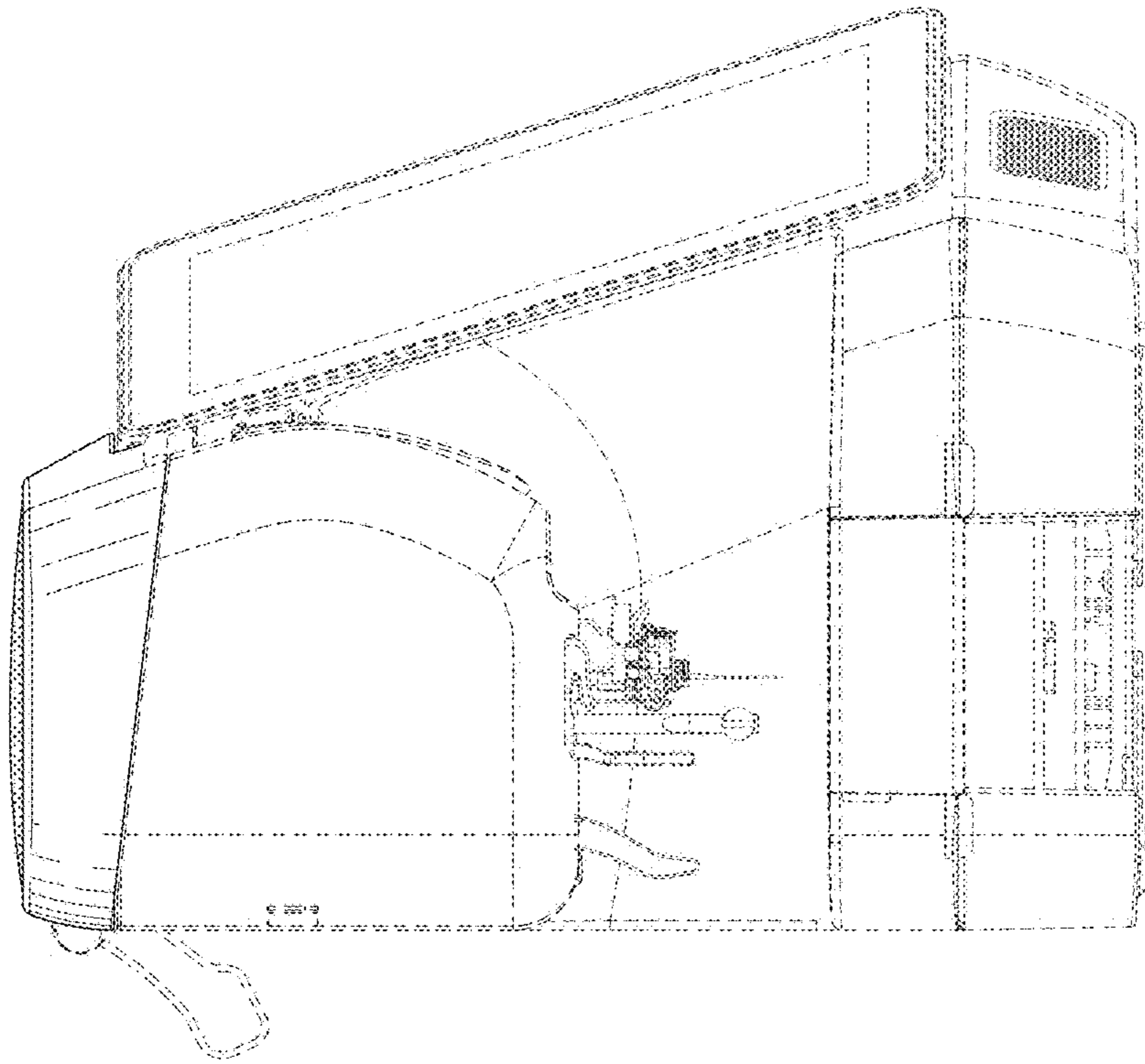


FIG. 5

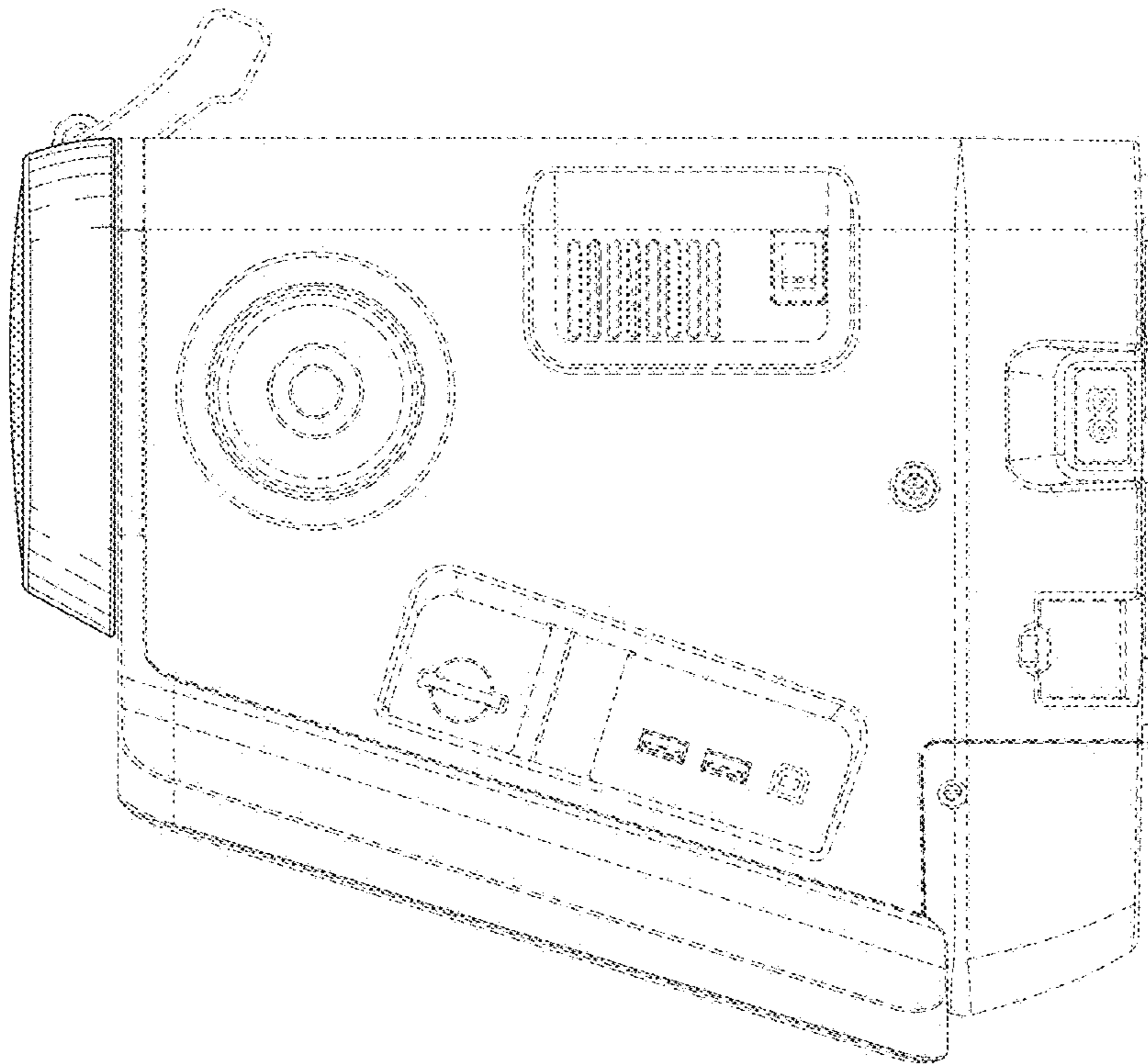


FIG. 4

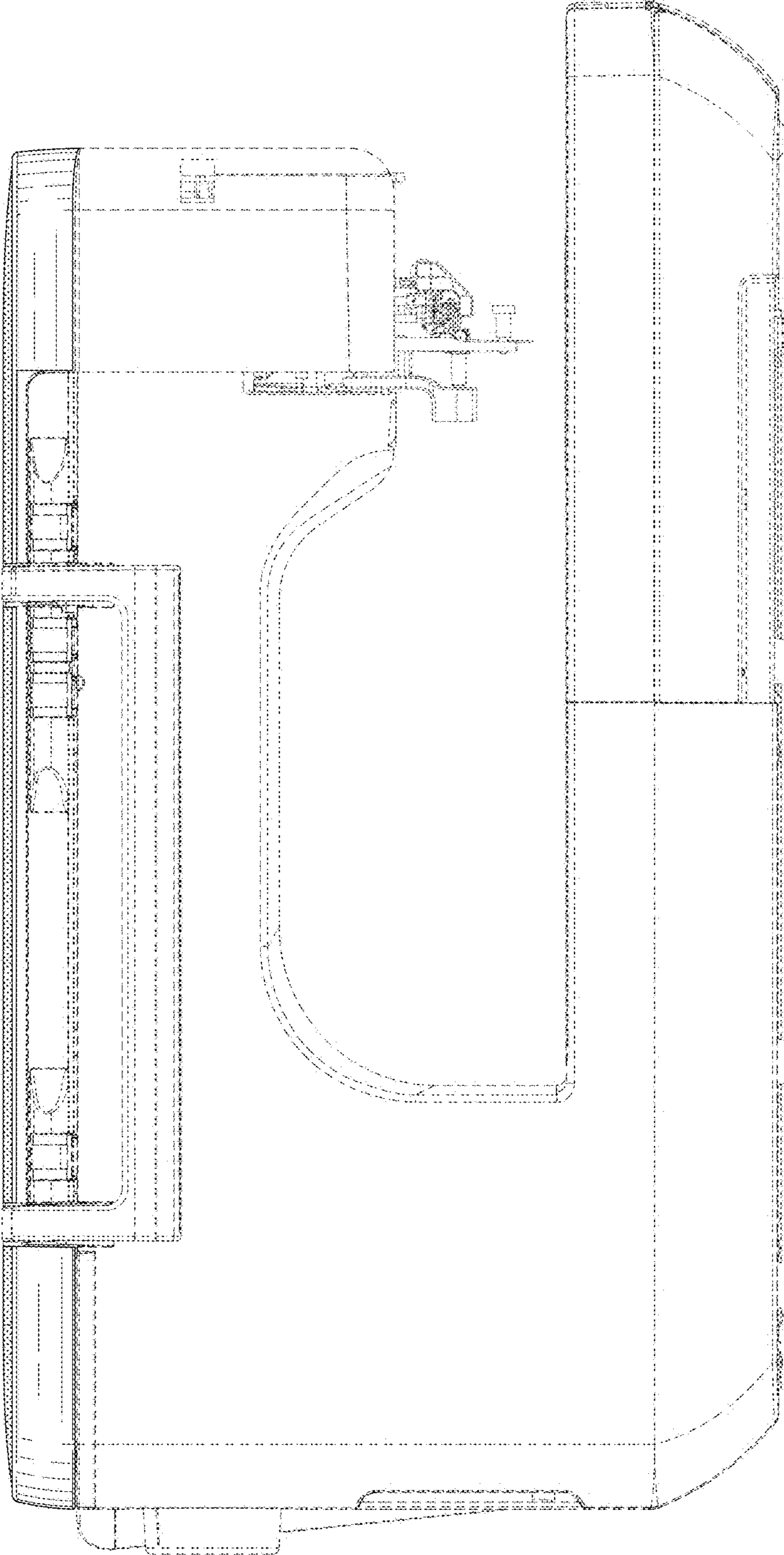


FIG. 6