



US00D836680S

(12) **United States Design Patent**
Kil

(10) **Patent No.:** **US D836,680 S**

(45) **Date of Patent:** **** Dec. 25, 2018**

(54) **SEWING MACHINE**

(71) Applicant: **BROTHER INDUSTRIES, LTD.**,
Nagoya-shi, Aichi-ken (JP)

(72) Inventor: **Jihoon Kil**, Nagoya (JP)

(73) Assignee: **BROTHER INDUSTRIES, LTD.**,
Nagoya (JP)

(**) Term: **15 Years**

(21) Appl. No.: **29/617,952**

(22) Filed: **Sep. 18, 2017**

(51) **LOC (11) Cl.** **15-06**

(52) **U.S. Cl.**
USPC **D15/69**

(58) **Field of Classification Search**
USPC D15/66-78
CPC D05B 1/00-25/00
See application file for complete search history.

(56) **References Cited**

U.S. PATENT DOCUMENTS

2,854,935 A * 10/1958 Bungert D05B 19/00
112/464
D515,109 S * 2/2006 Iwai D15/69

D687,870 S * 8/2013 Hattori D15/69
8,763,544 B2 * 7/2014 Okuyama D05B 19/12
112/470.04

D768,211 S * 10/2016 Mevey D15/69
D812,648 S * 3/2018 Mevey D15/69

* cited by examiner

Primary Examiner — Mitchell I. Siegel

(74) *Attorney, Agent, or Firm* — Oliff PLC

(57) **CLAIM**

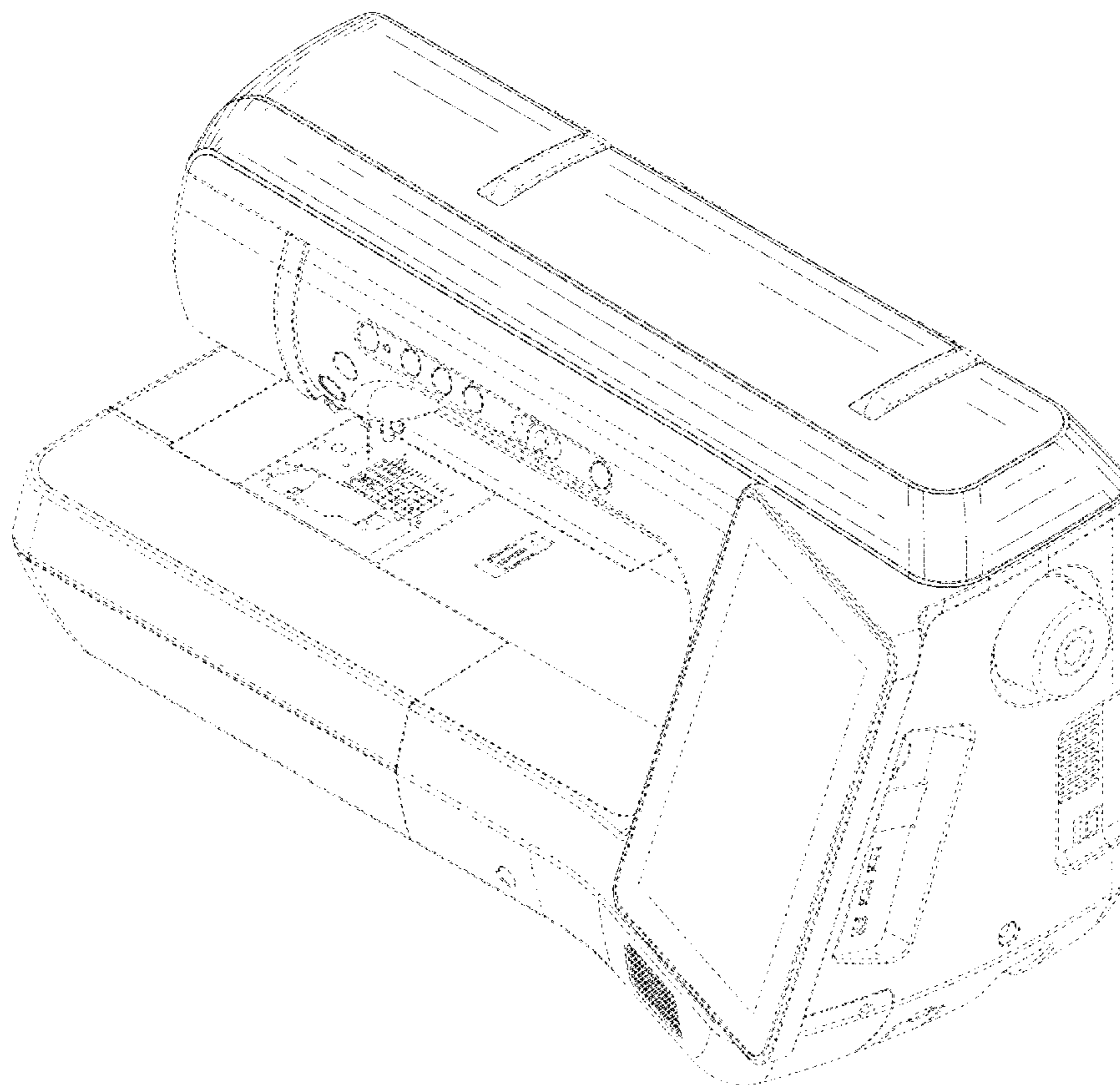
The ornamental design for a sewing machine, as shown and described.

DESCRIPTION

FIG. 1 is a perspective view of a sewing machine;
FIG. 2 is a front view thereof;
FIG. 3 is a top view thereof;
FIG. 4 is a right-side view thereof;
FIG. 5 is a left-side view thereof; and,
FIG. 6 is a rear view thereof.

The broken lines depict unclaimed portions of the sewing machine and form no part of the claimed design.

1 Claim, 5 Drawing Sheets



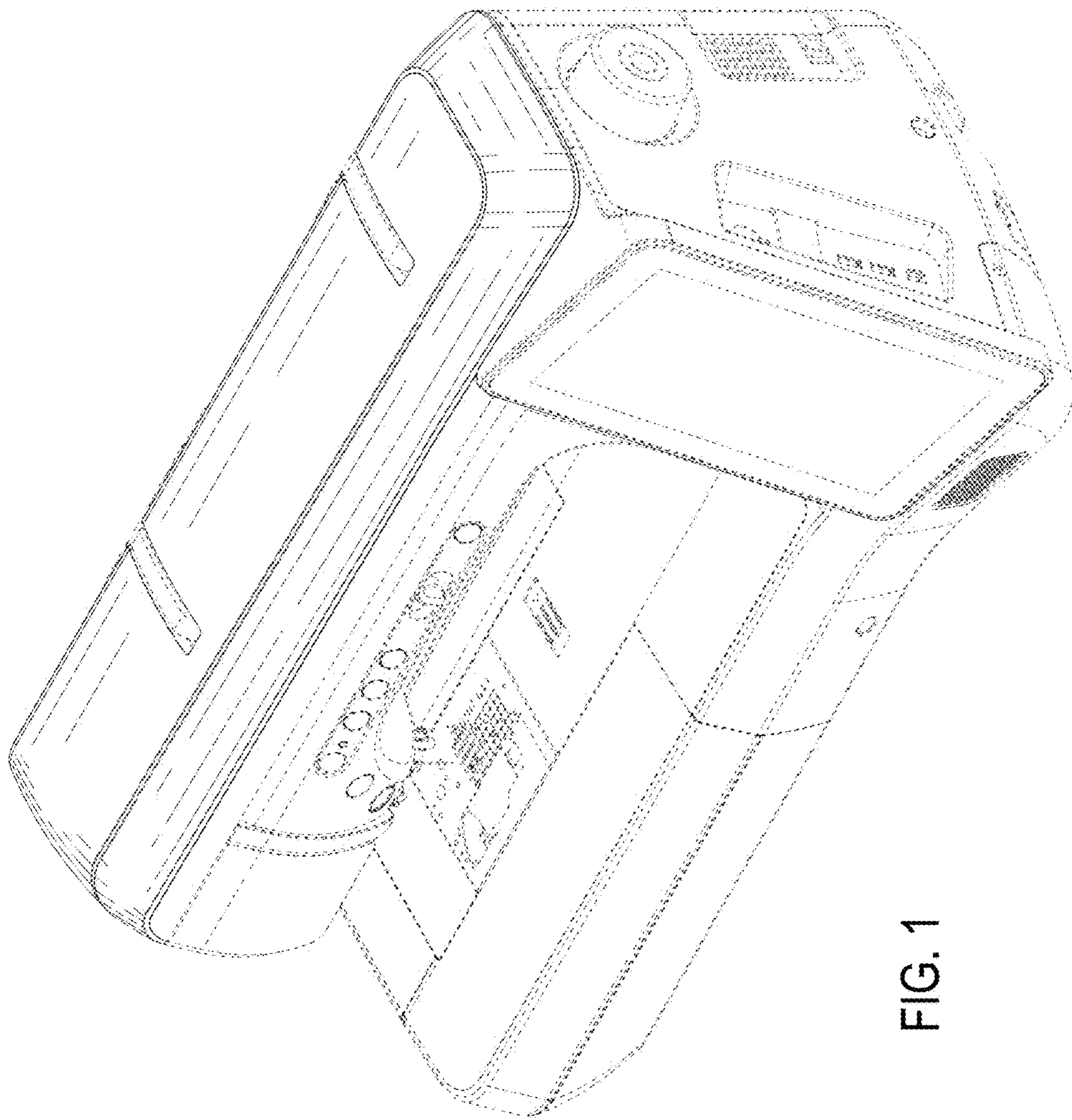


FIG. 1

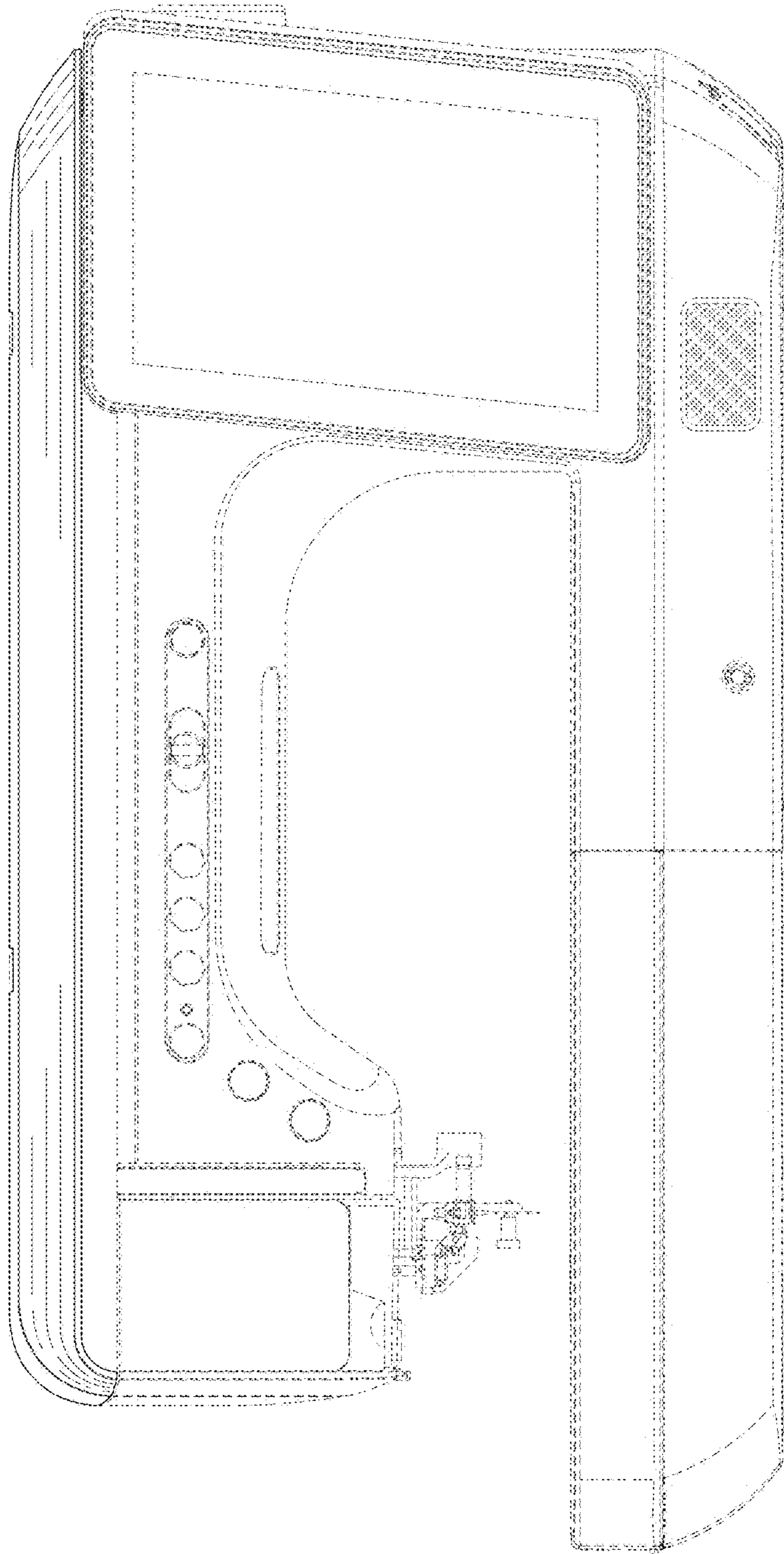


FIG. 2

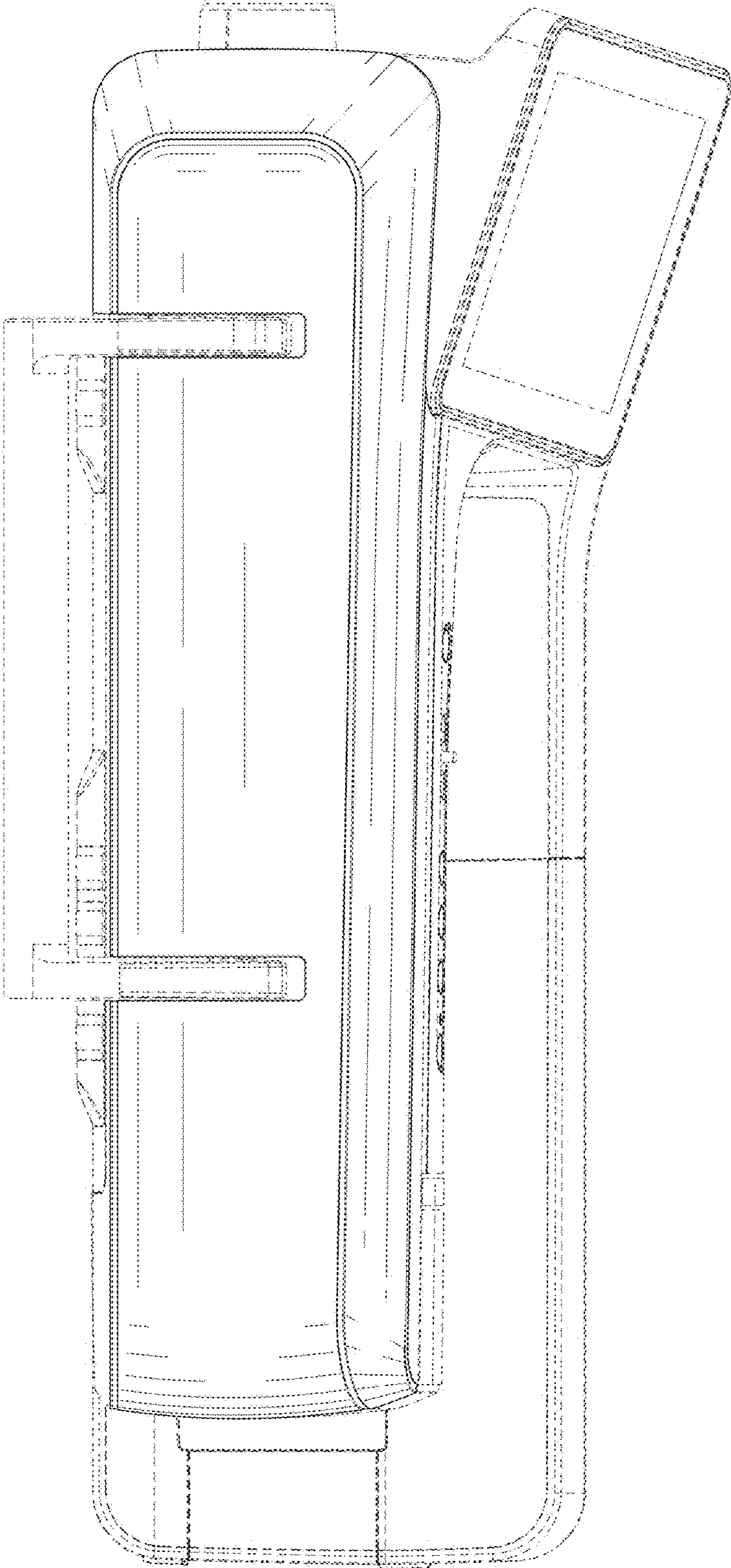


FIG. 3

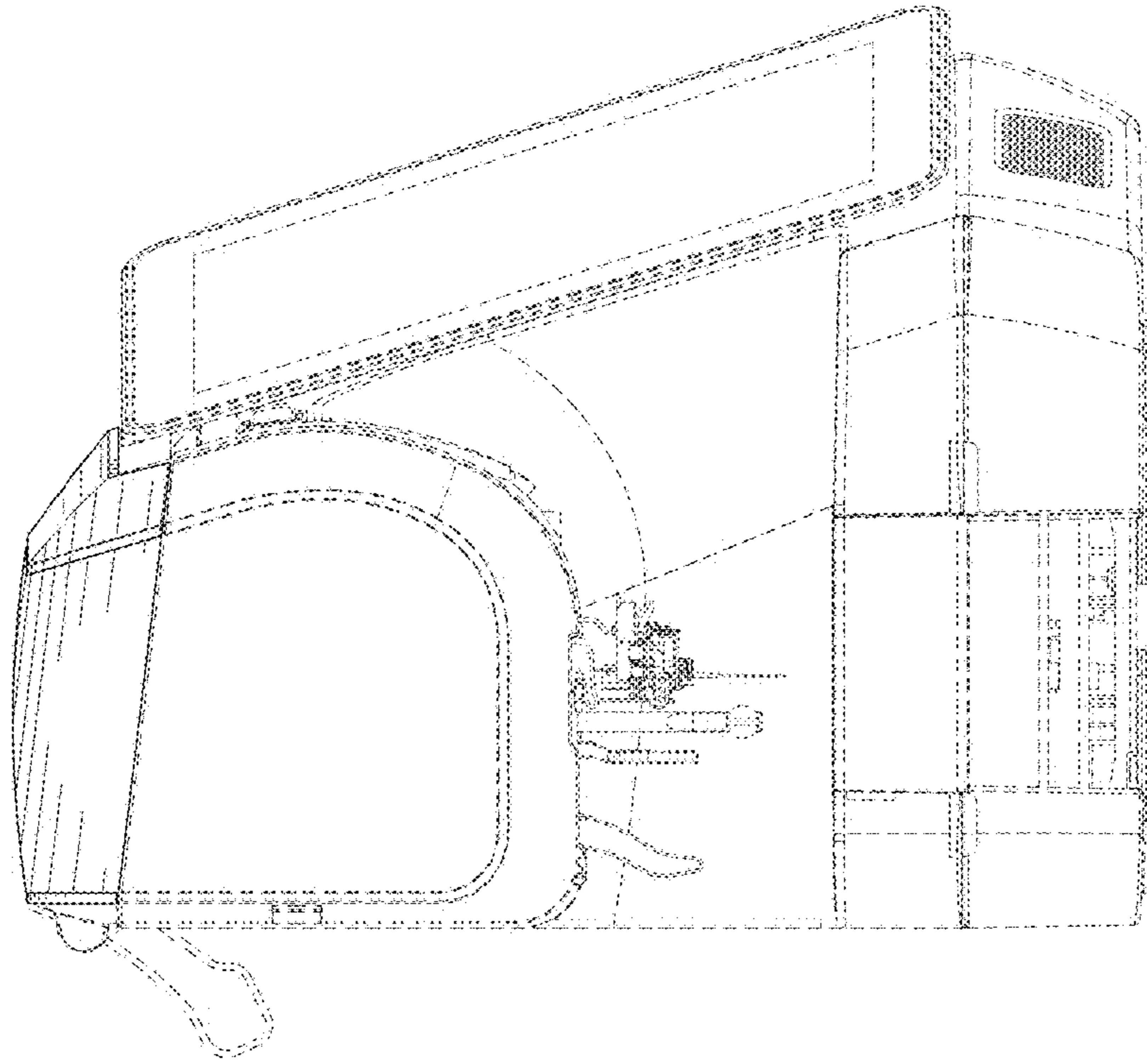


FIG. 5

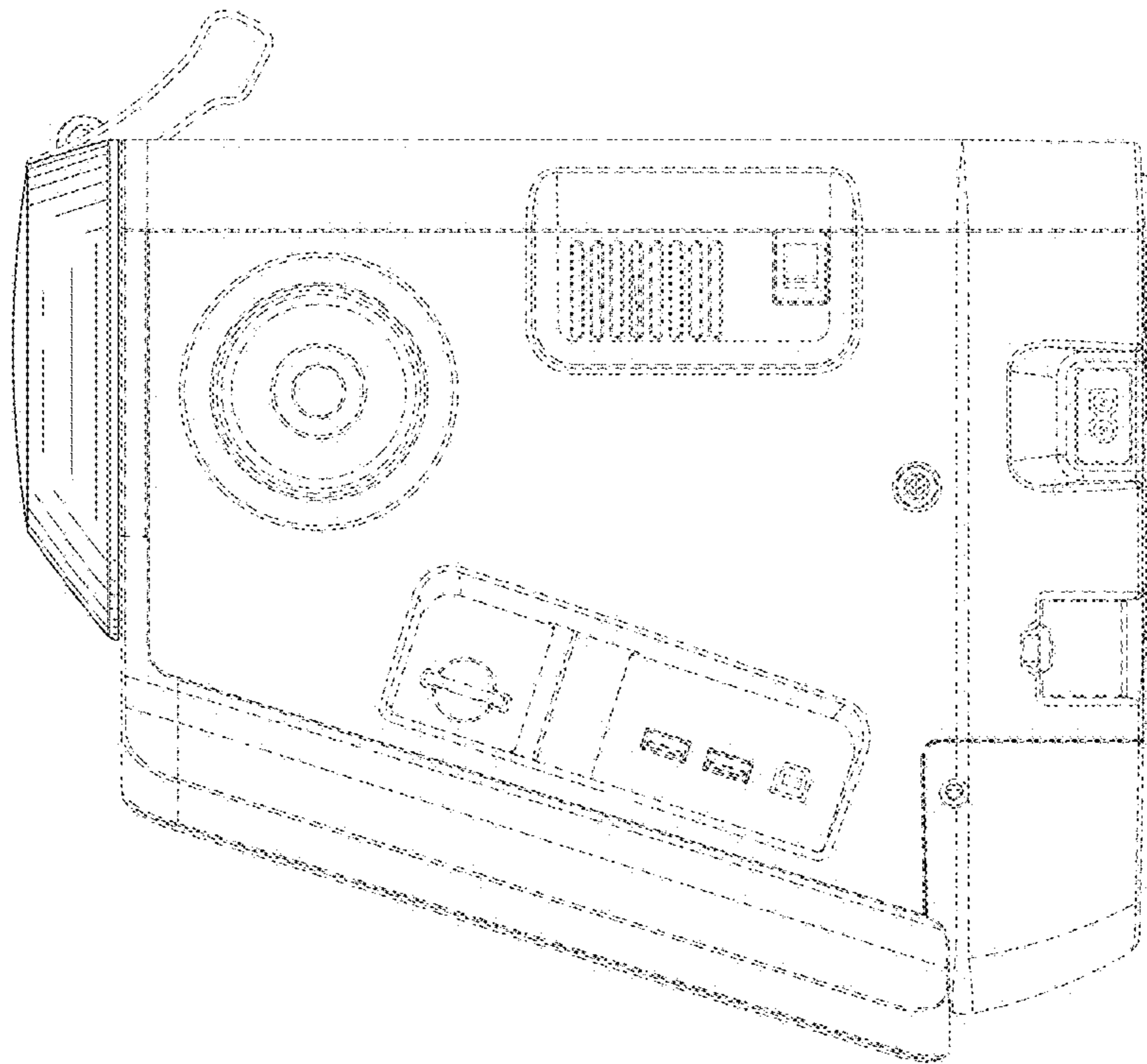


FIG. 4

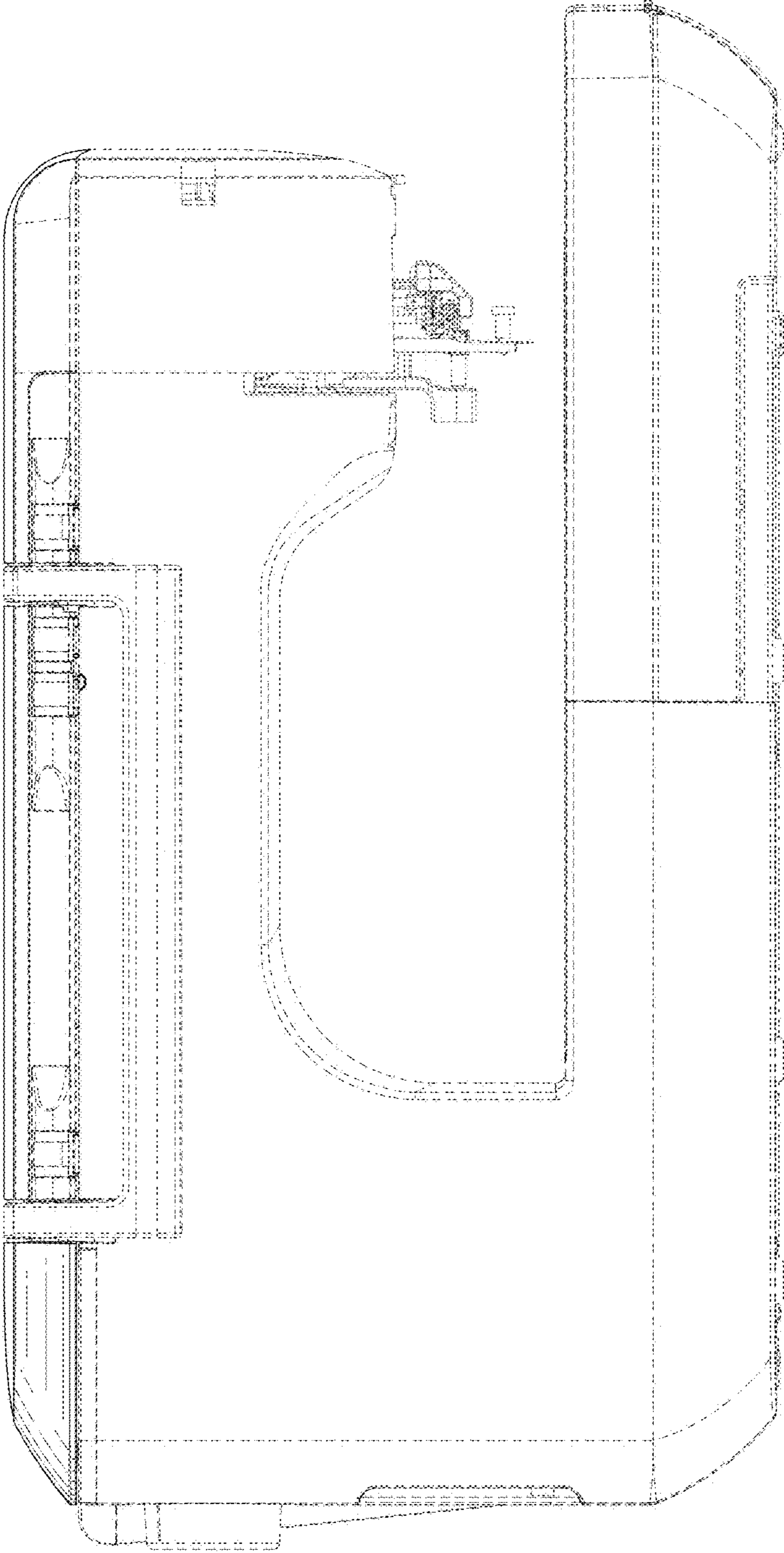


FIG. 6