



US00D836679S

(12) **United States Design Patent** (10) **Patent No.:** **US D836,679 S**  
**Zabe** (45) **Date of Patent:** **\*\* Dec. 25, 2018**

(54) **BALER PORTION**  
(71) Applicant: **Deere & Company**, Moline, IL (US)  
(72) Inventor: **Mickael Zabe**, Ougney (FR)  
(73) Assignee: **DEERE & COMPANY**, Moline, IL (US)  
(\*\*) Term: **15 Years**  
(21) Appl. No.: **29/629,811**  
(22) Filed: **Dec. 15, 2017**  
(51) **LOC (11) Cl.** ..... **15-03**  
(52) **U.S. Cl.**  
USPC ..... **D15/28**  
(58) **Field of Classification Search**  
USPC ..... D15/27, 28, 33, 10, 17; 414/24.5;  
100/4, 5, 8, 88, 100; 56/341-343, 432,  
56/202  
CPC .... A01F 15/00; A01F 15/085; A01F 15/0715;  
A01F 15/08; A01F 15/07; A01F 15/0883  
See application file for complete search history.

(56) **References Cited**

**U.S. PATENT DOCUMENTS**

3,913,473 A \* 10/1975 Meiers ..... A01F 15/141  
100/5  
D238,501 S \* 1/1976 Gaeddert et al. .... D15/27  
D242,572 S \* 11/1976 Grist et al. .... D15/27  
D268,678 S \* 4/1983 Swenson ..... D15/27  
5,131,214 A \* 7/1992 Vermeer ..... A01F 15/0833  
100/88  
5,138,942 A \* 8/1992 Henderson ..... A01F 15/07  
100/88  
5,231,828 A \* 8/1993 Swearingen ..... A01F 15/0715  
100/5  
D412,507 S \* 8/1999 Underhill ..... D15/27  
6,857,251 B2 \* 2/2005 McClure ..... A01F 15/141  
100/912  
D626,972 S \* 11/2010 Hoover ..... D15/27

D702,263 S \* 4/2014 Jacobsthal ..... D15/27  
D796,558 S 9/2017 Johnson et al.  
D797,158 S 9/2017 Johnson et al.  
(Continued)

*Primary Examiner* — Mark A Goodwin

(74) *Attorney, Agent, or Firm* — Klintworth & Rozenblat  
IP LLP; Steven J. Wietrzny

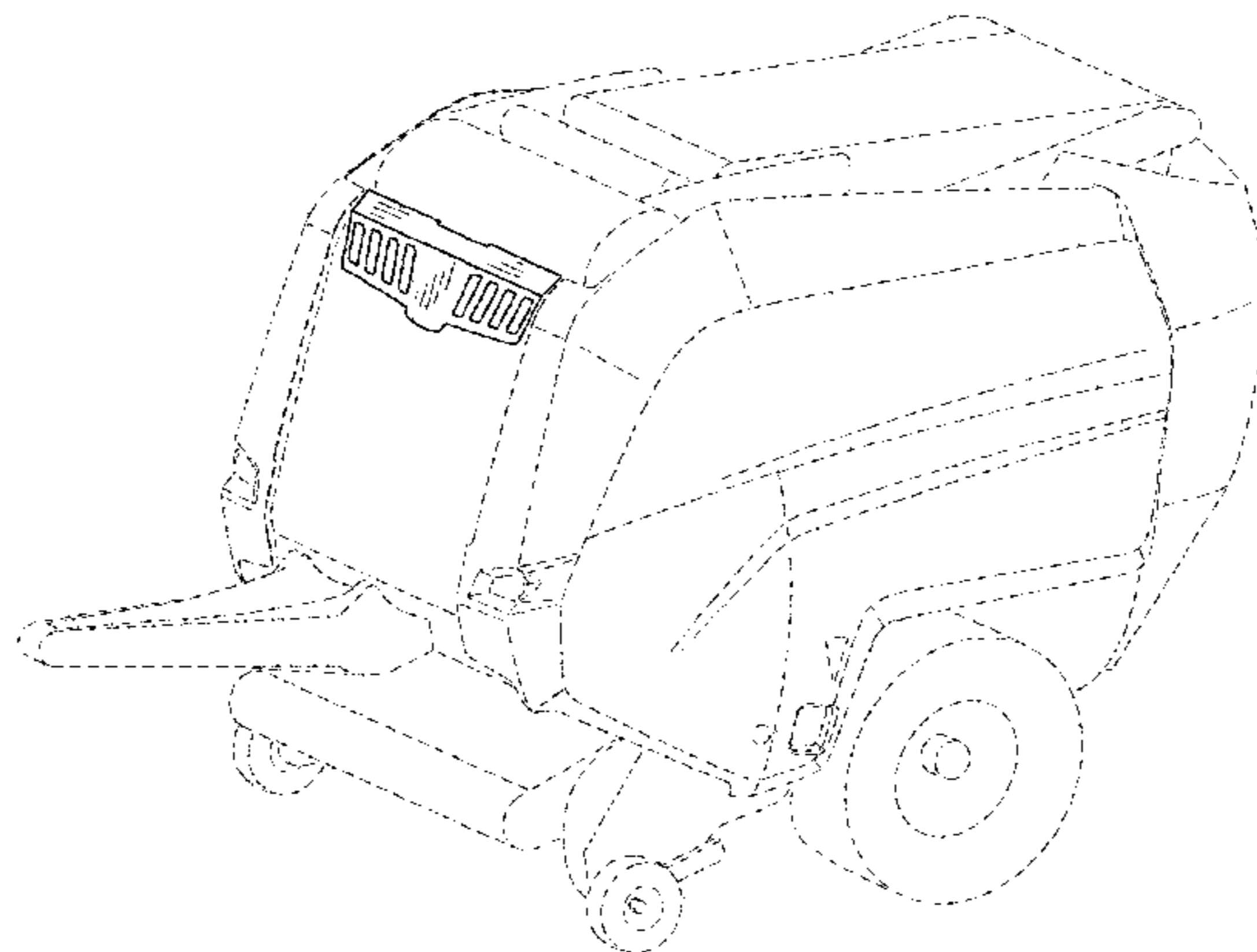
(57) **CLAIM**

The ornamental design for a baler portion, as shown and described.

**DESCRIPTION**

FIG. 1 is a perspective view of a baler portion according to one embodiment of my new design;  
FIG. 2 is a first side elevation view thereof;  
FIG. 3 is a second side elevation view thereof;  
FIG. 4 is a front elevation view thereof; and  
FIG. 5 is a rear elevation view thereof.  
FIG. 6 is a top plan view thereof;  
FIG. 7 is a bottom plan view thereof;  
FIG. 8 is a perspective view of a baler portion according to another embodiment of my new design;  
FIG. 9 is a first side elevation view thereof;  
FIG. 10 is a second side elevation view thereof;  
FIG. 11 is a front elevation view thereof; and  
FIG. 12 is a rear elevation view thereof.  
FIG. 13 is a top plan view thereof;  
FIG. 14 is a bottom plan view thereof;  
FIG. 15 is a perspective view of a baler portion according to another embodiment of my new design;  
FIG. 16 is a first side elevation view thereof;  
FIG. 17 is a second side elevation view thereof;  
FIG. 18 is a front elevation view thereof; and  
FIG. 19 is a rear elevation view thereof.  
FIG. 20 is a top plan view thereof; and  
FIG. 21 is a bottom plan view thereof.  
The dash line representations in the figures represent unclaimed baler environment.

**1 Claim, 21 Drawing Sheets**



(56)

**References Cited**

U.S. PATENT DOCUMENTS

D825,618 S *	8/2018	Zabe .....	D15/27
2013/0133530 A1 *	5/2013	Roberge .....	A01F 15/0883 100/88
2015/0195994 A1 *	7/2015	Ostermann .....	A01F 15/0715 100/3

\* cited by examiner

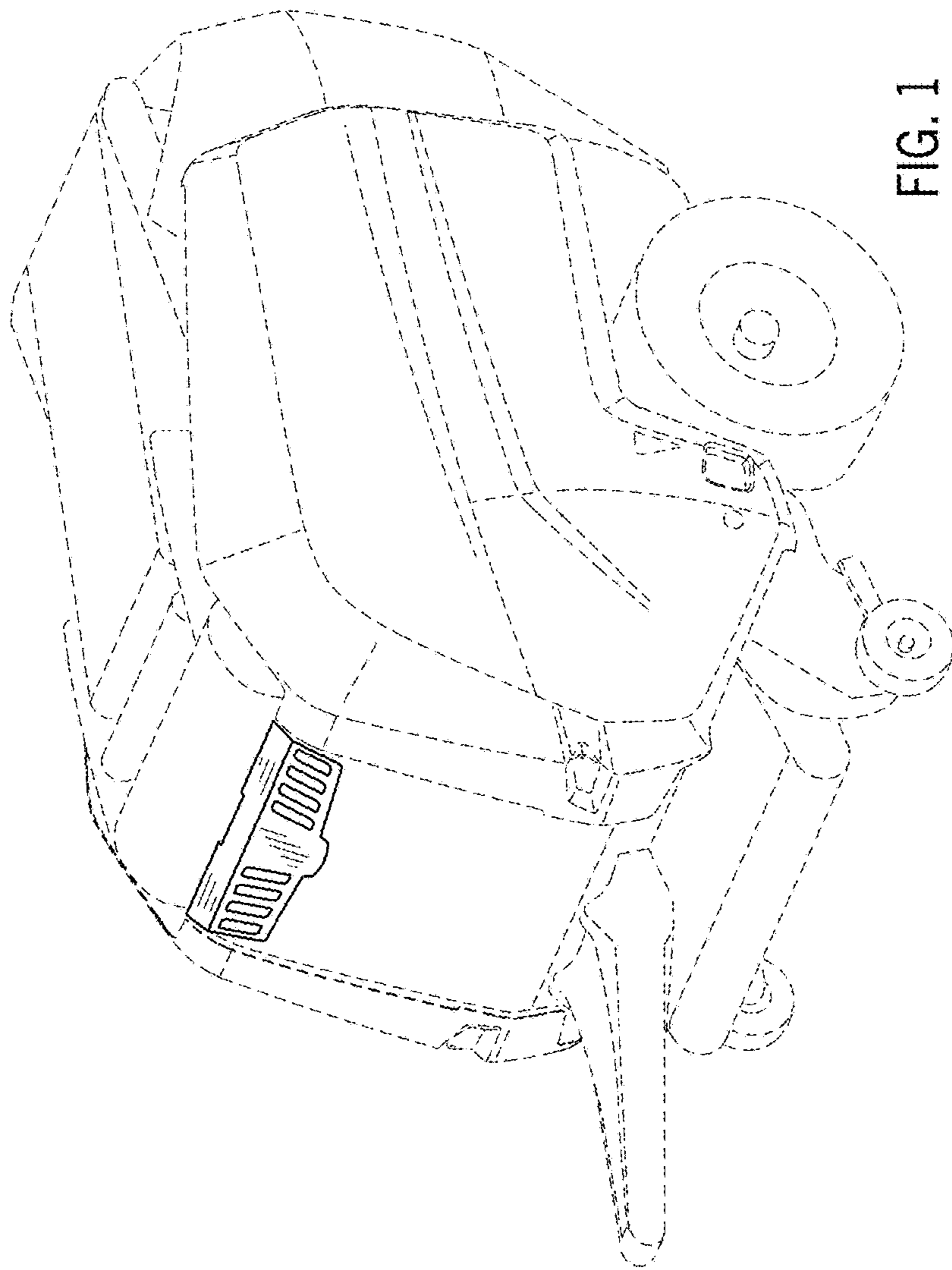


FIG. 1

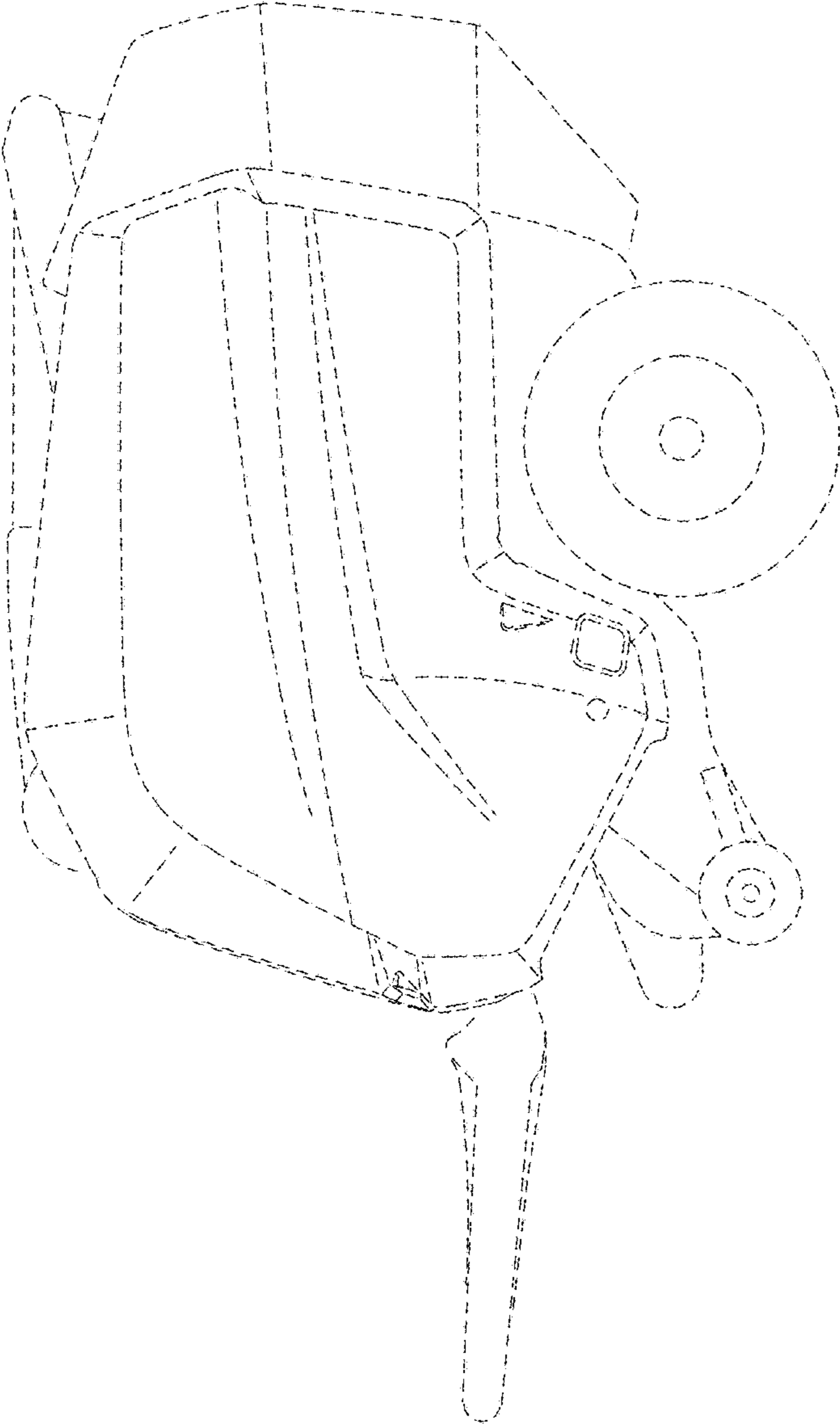


FIG. 2

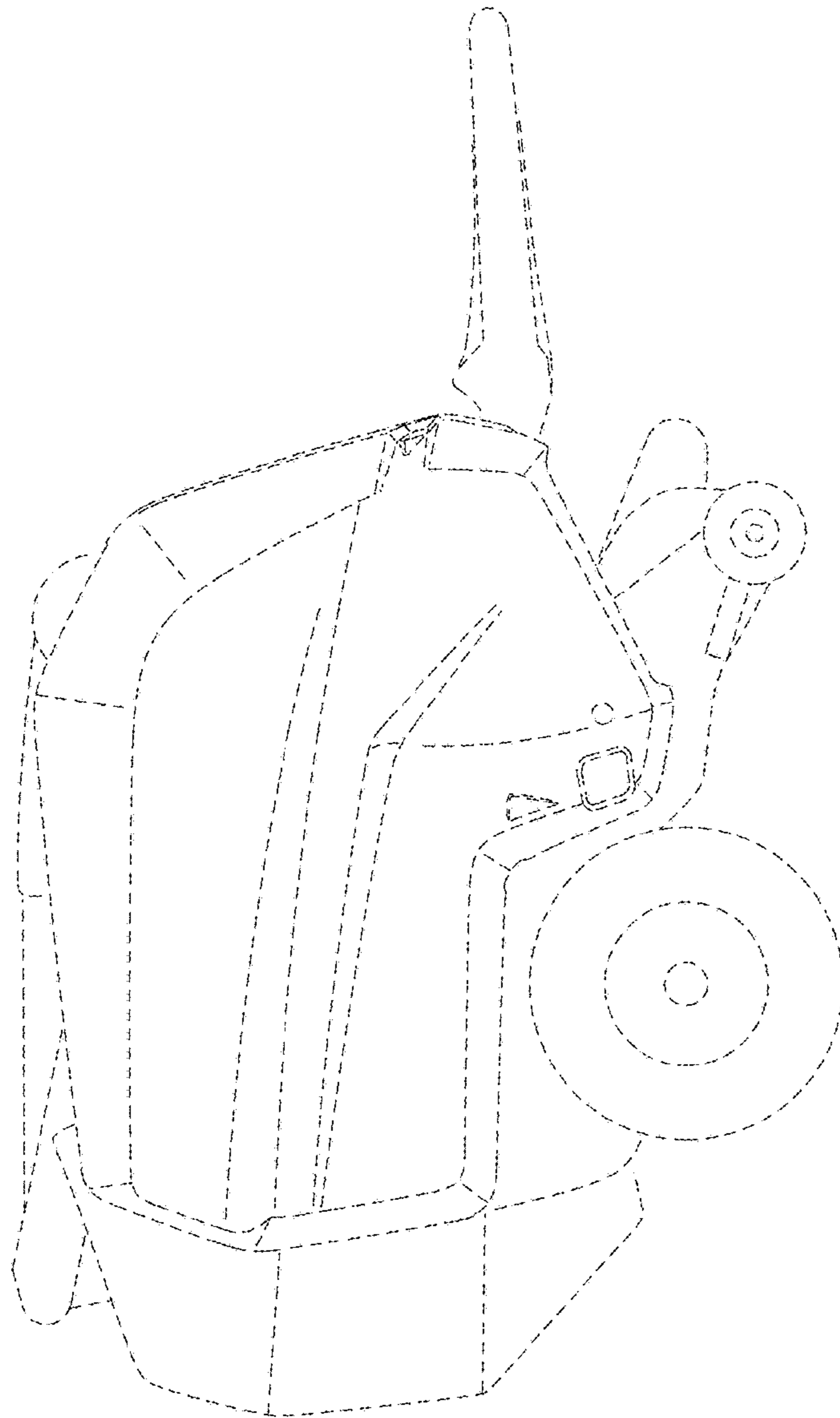


FIG. 3

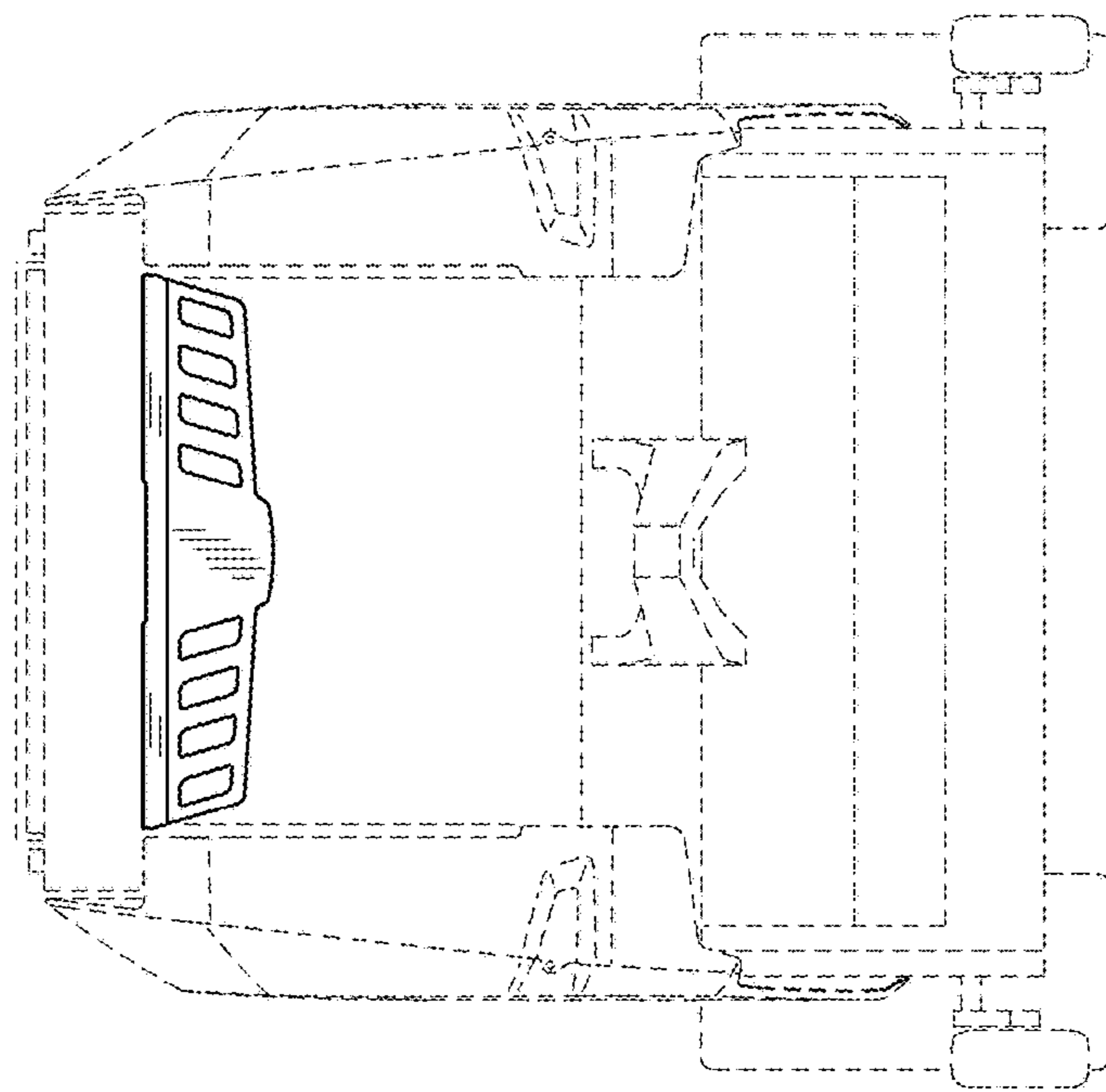


FIG. 4

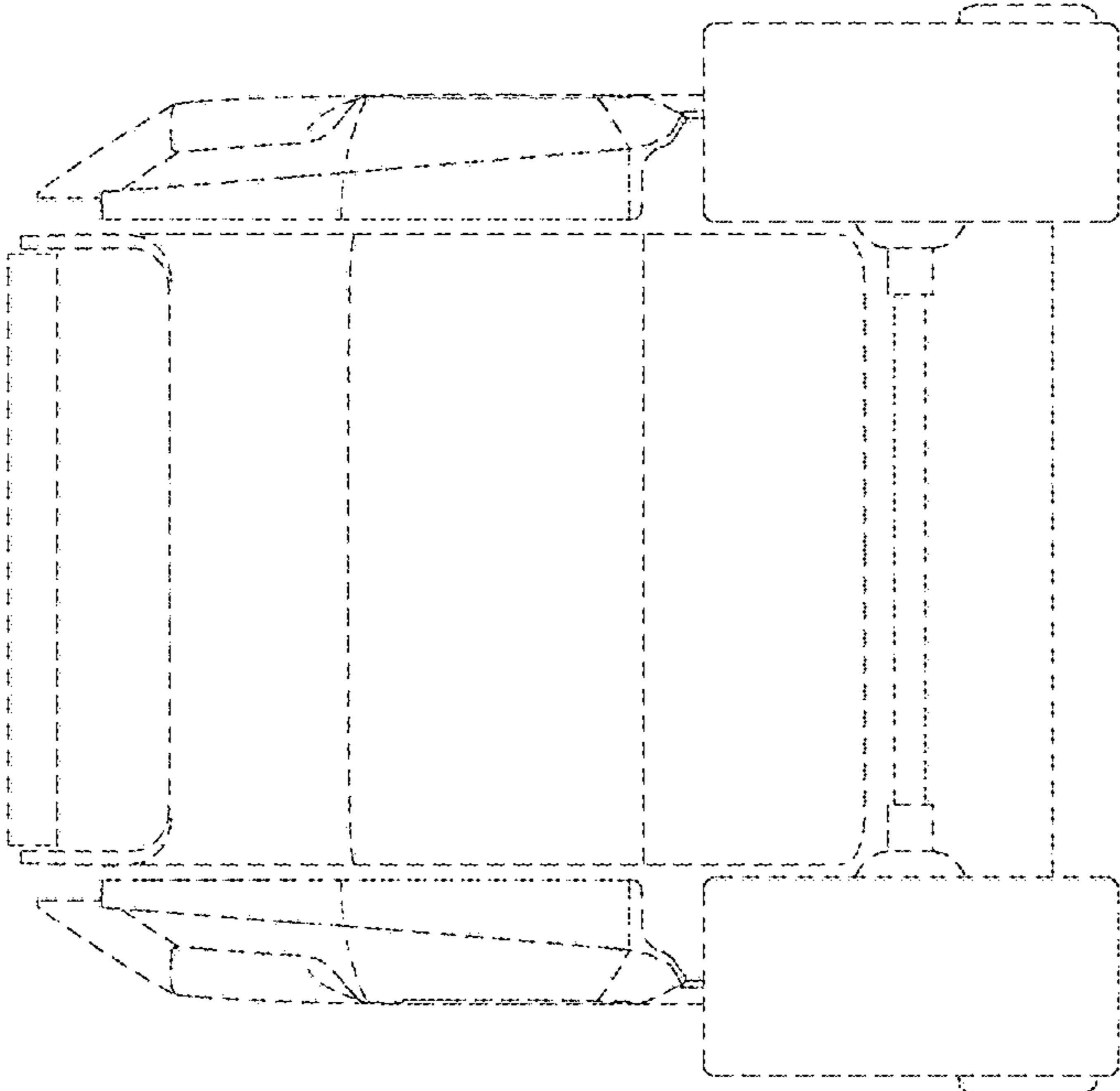


FIG. 5

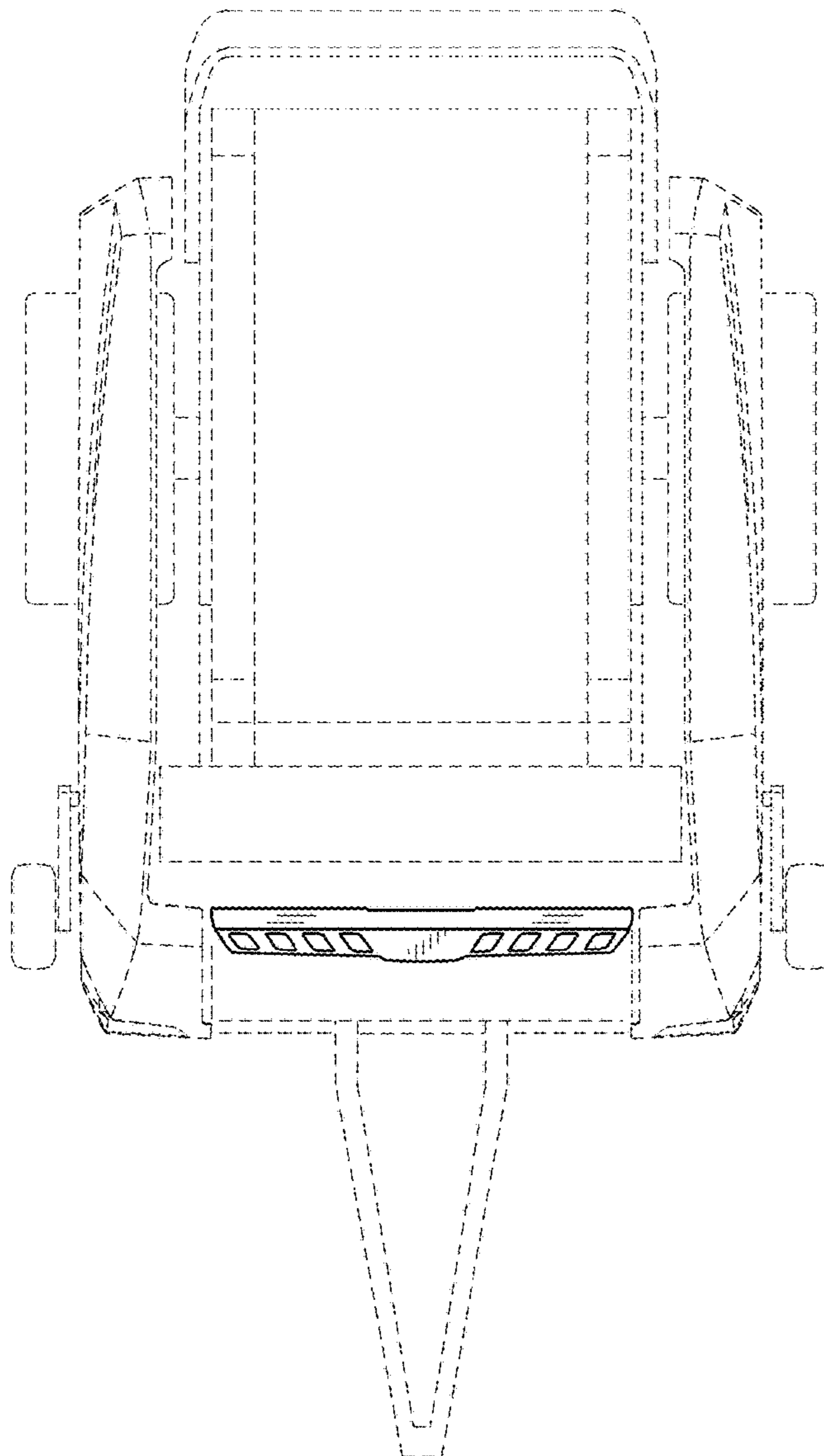


FIG. 6



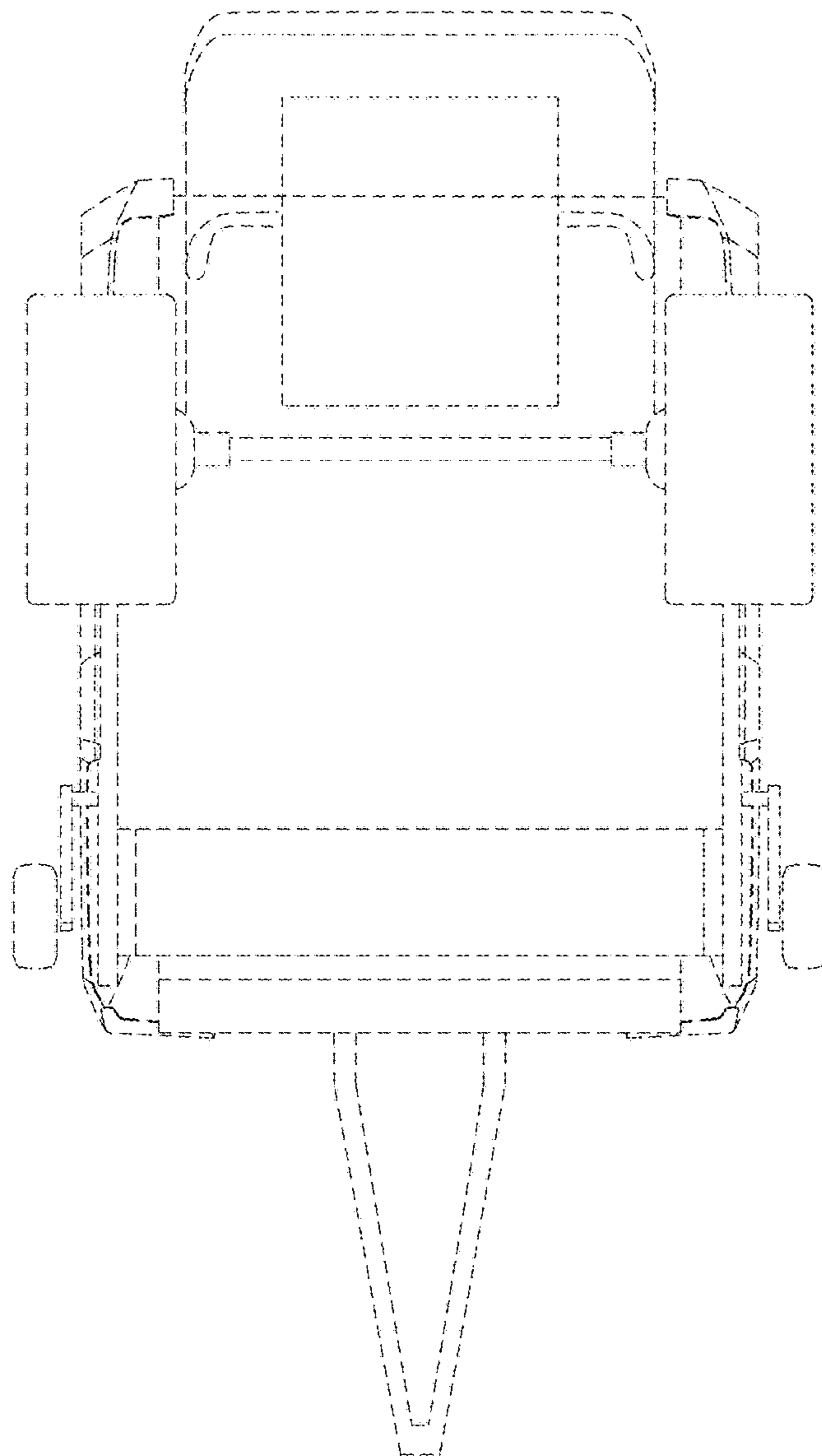


FIG. 7

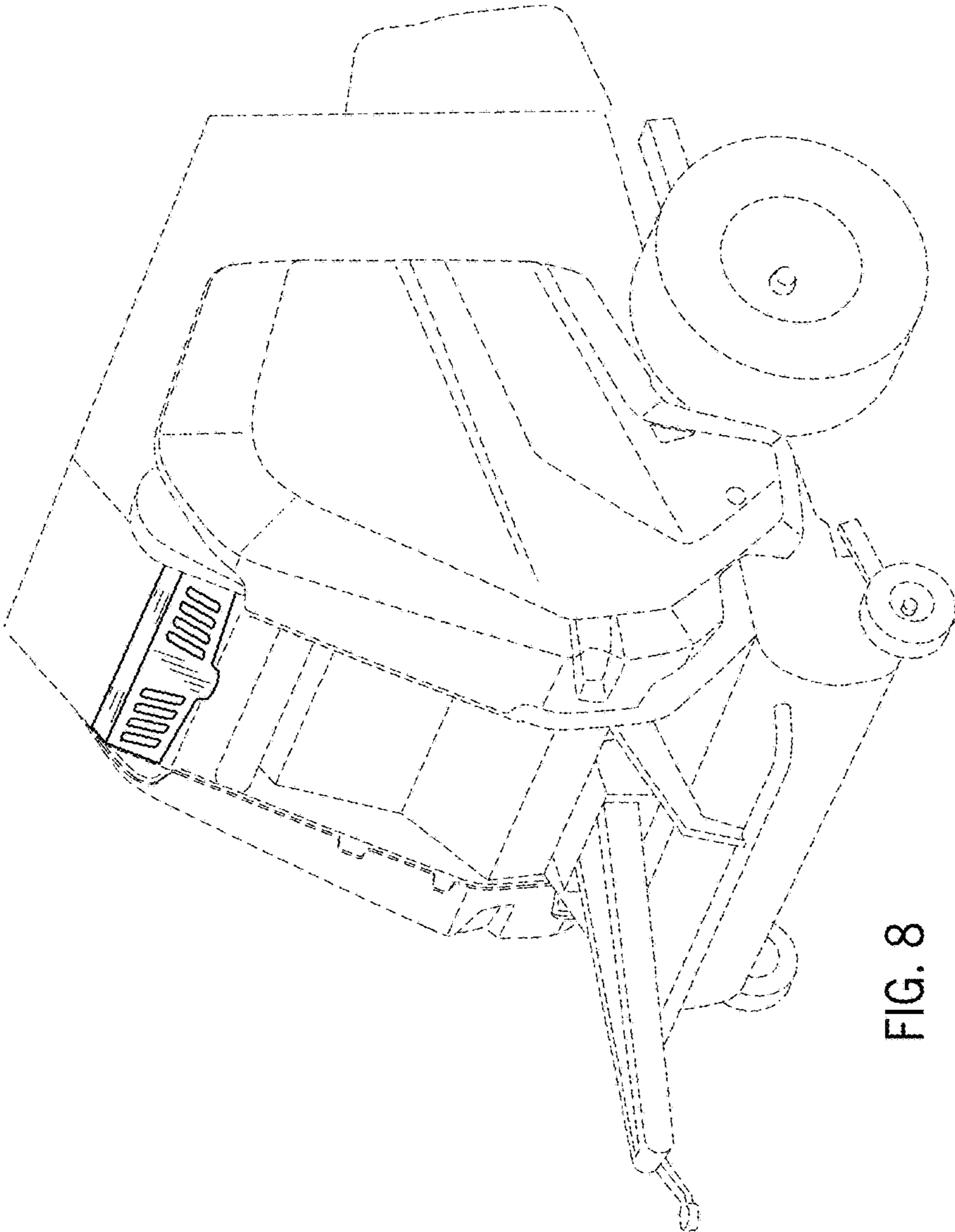


FIG. 8

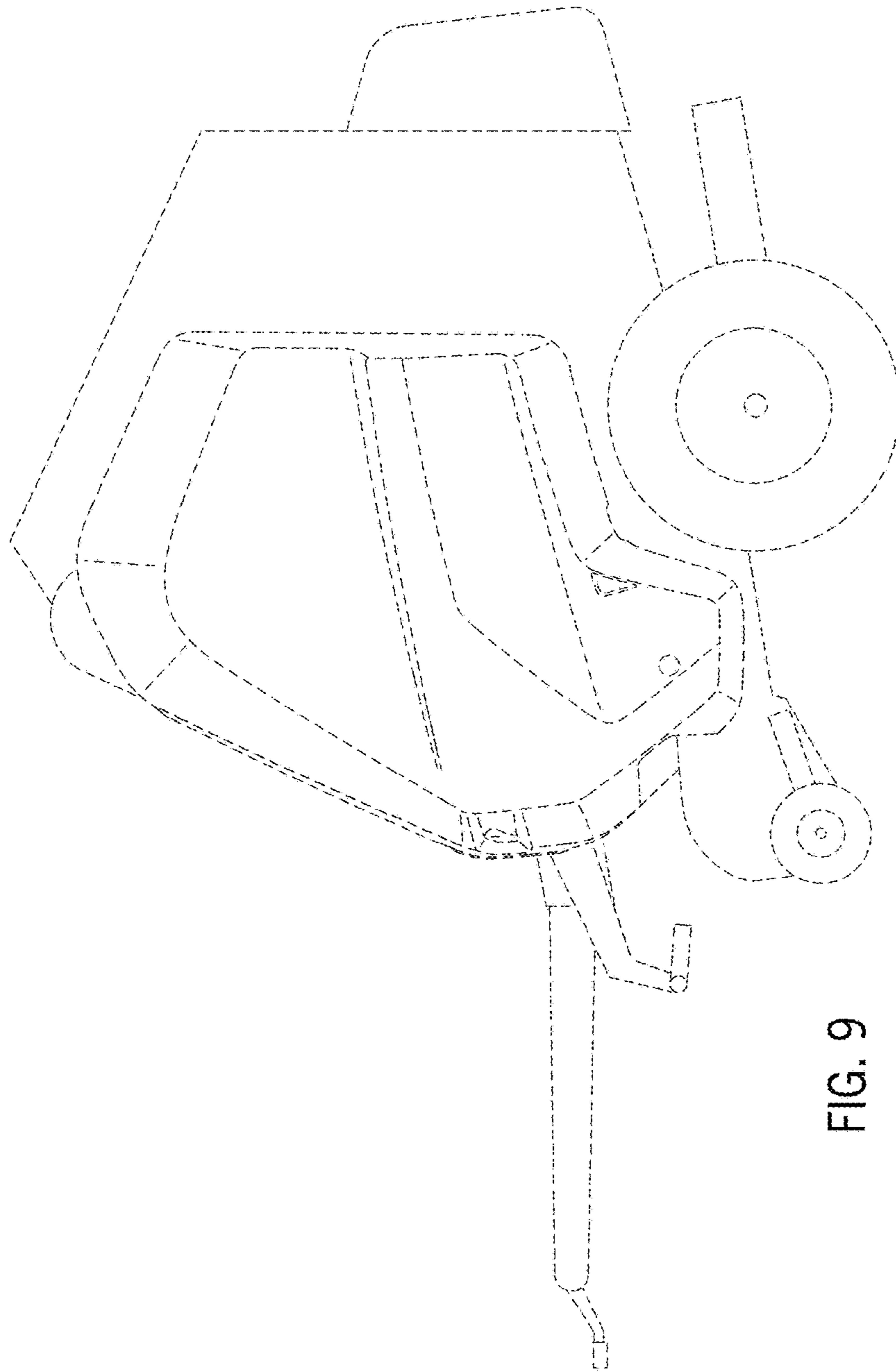


FIG. 9

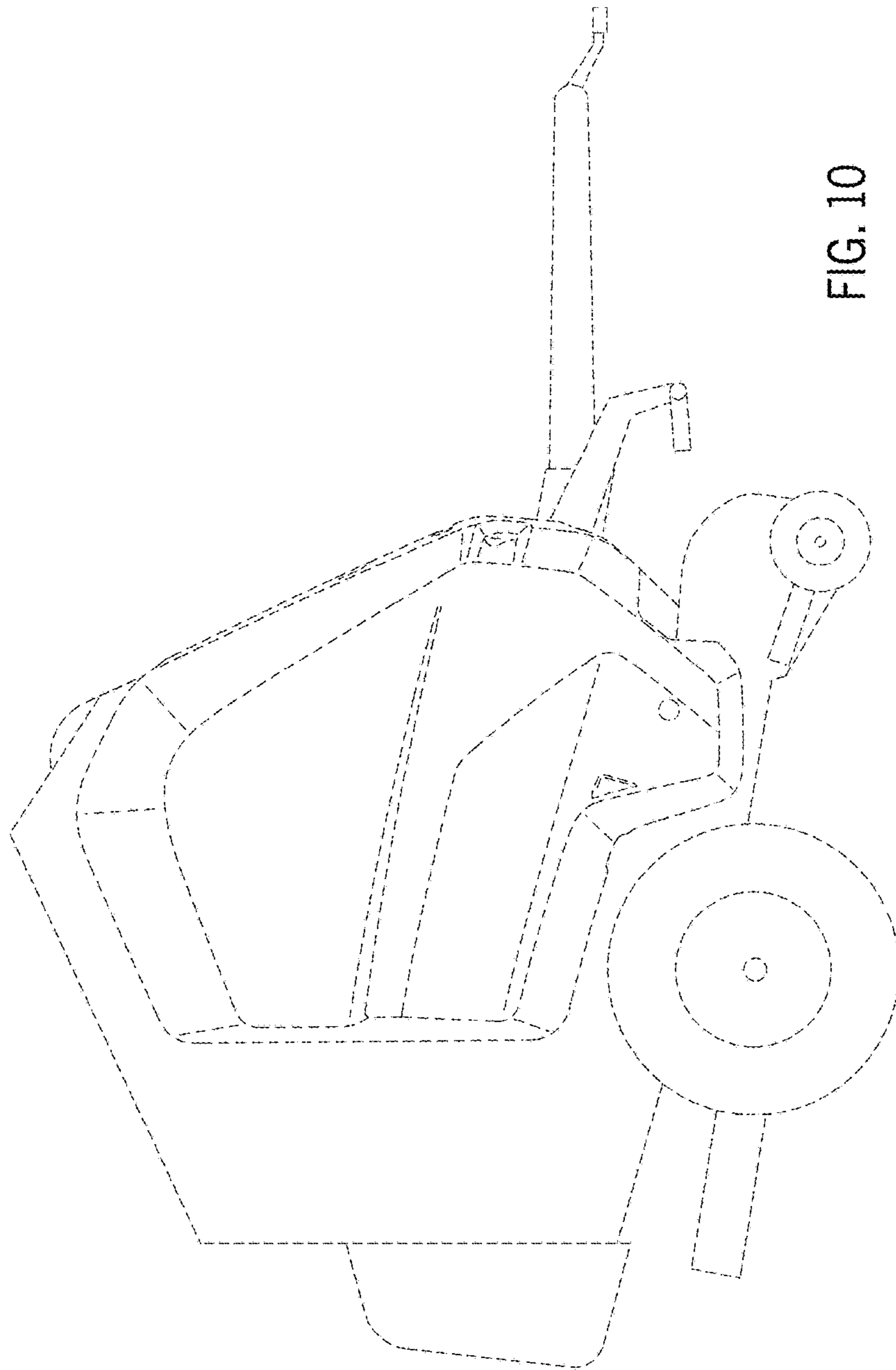


FIG. 10

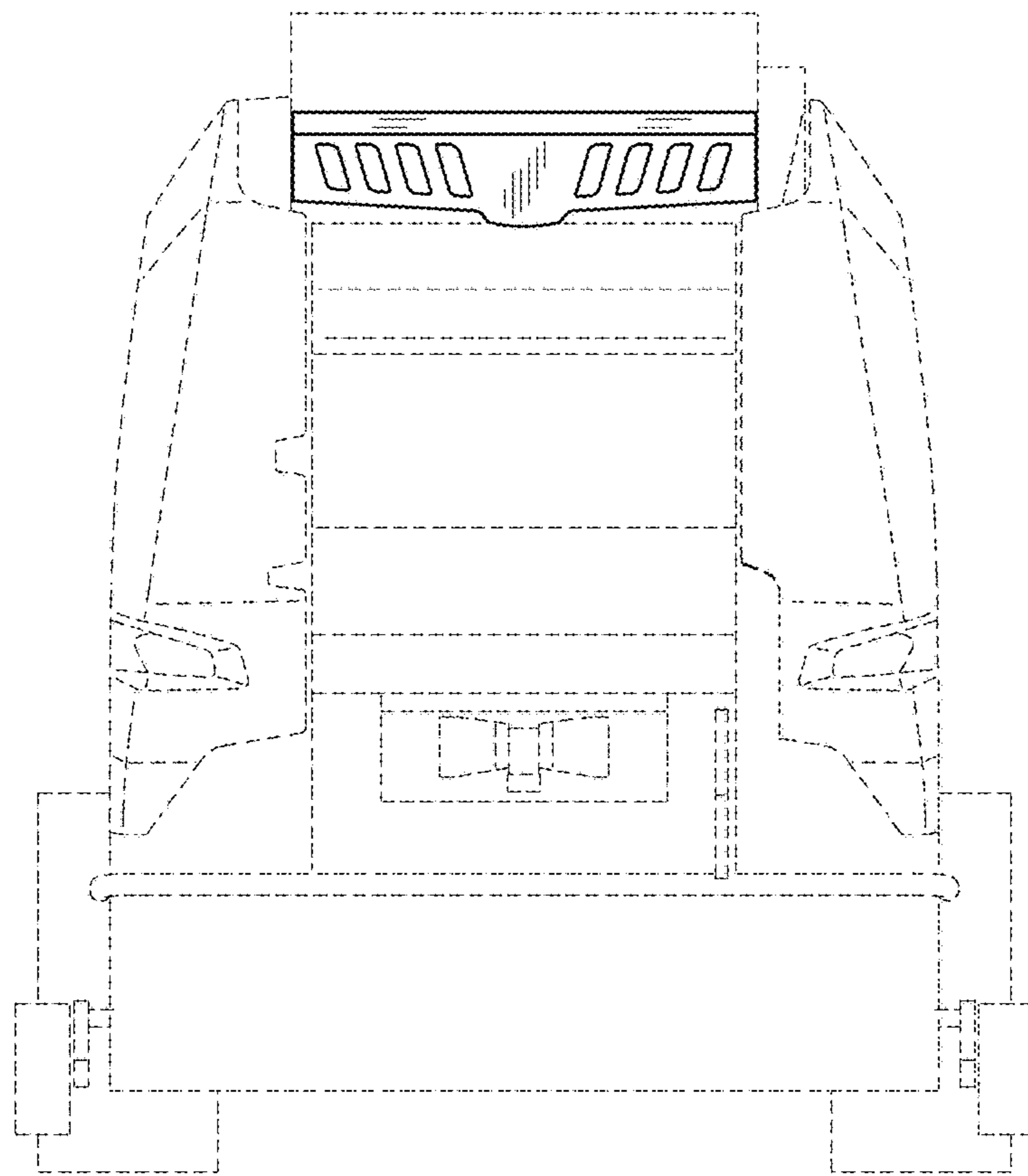


FIG. 11

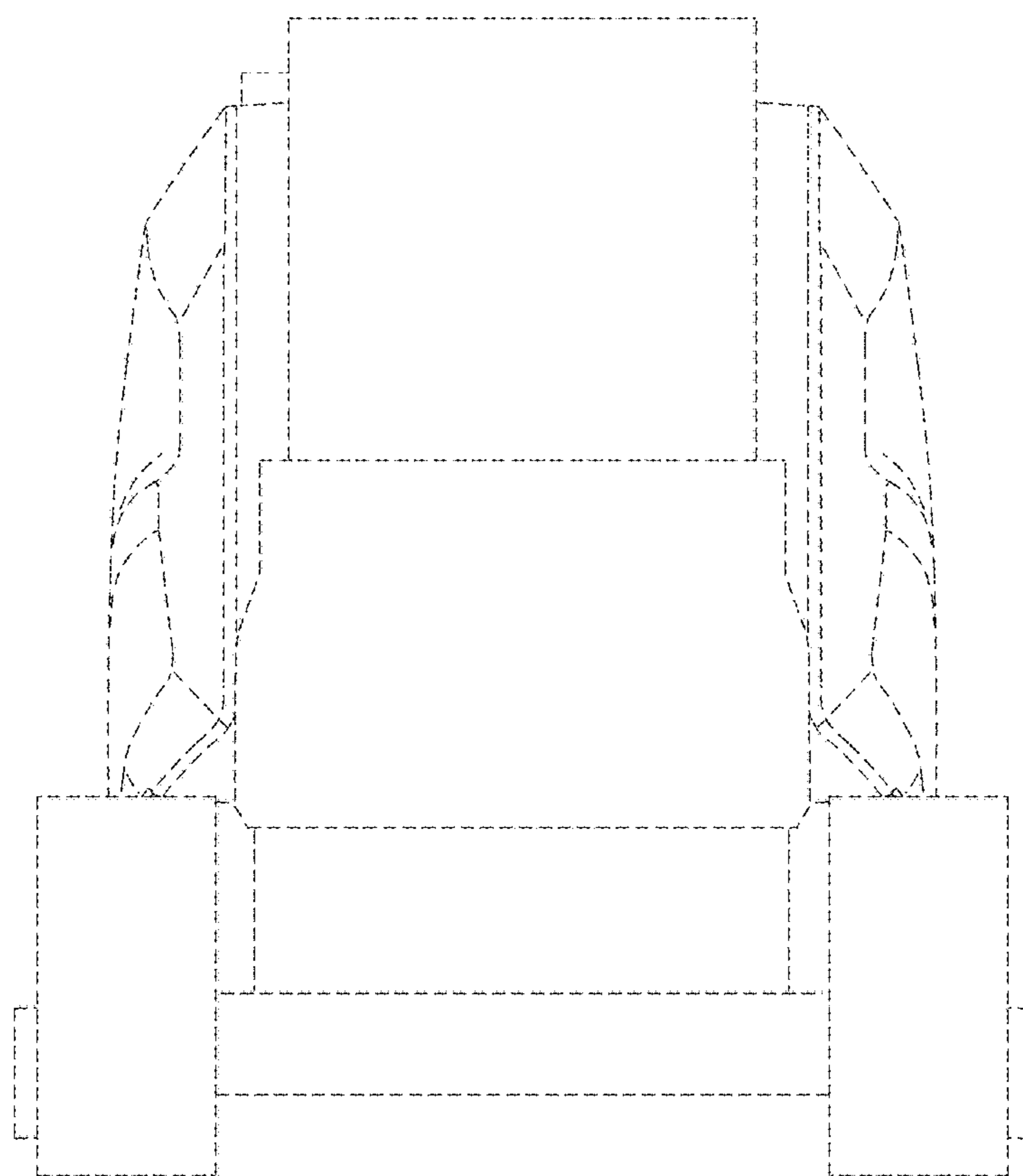


FIG. 12

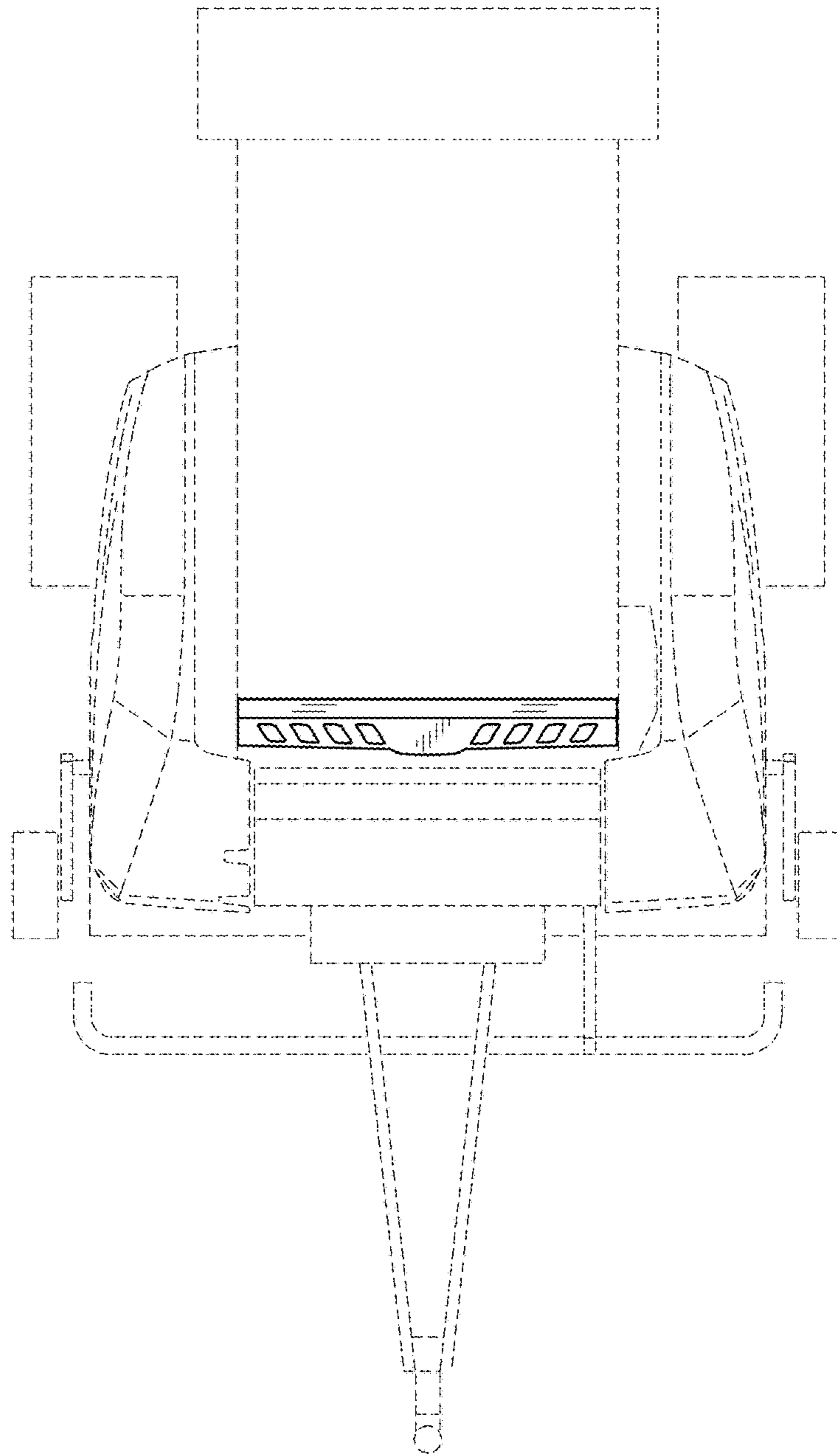


FIG. 13

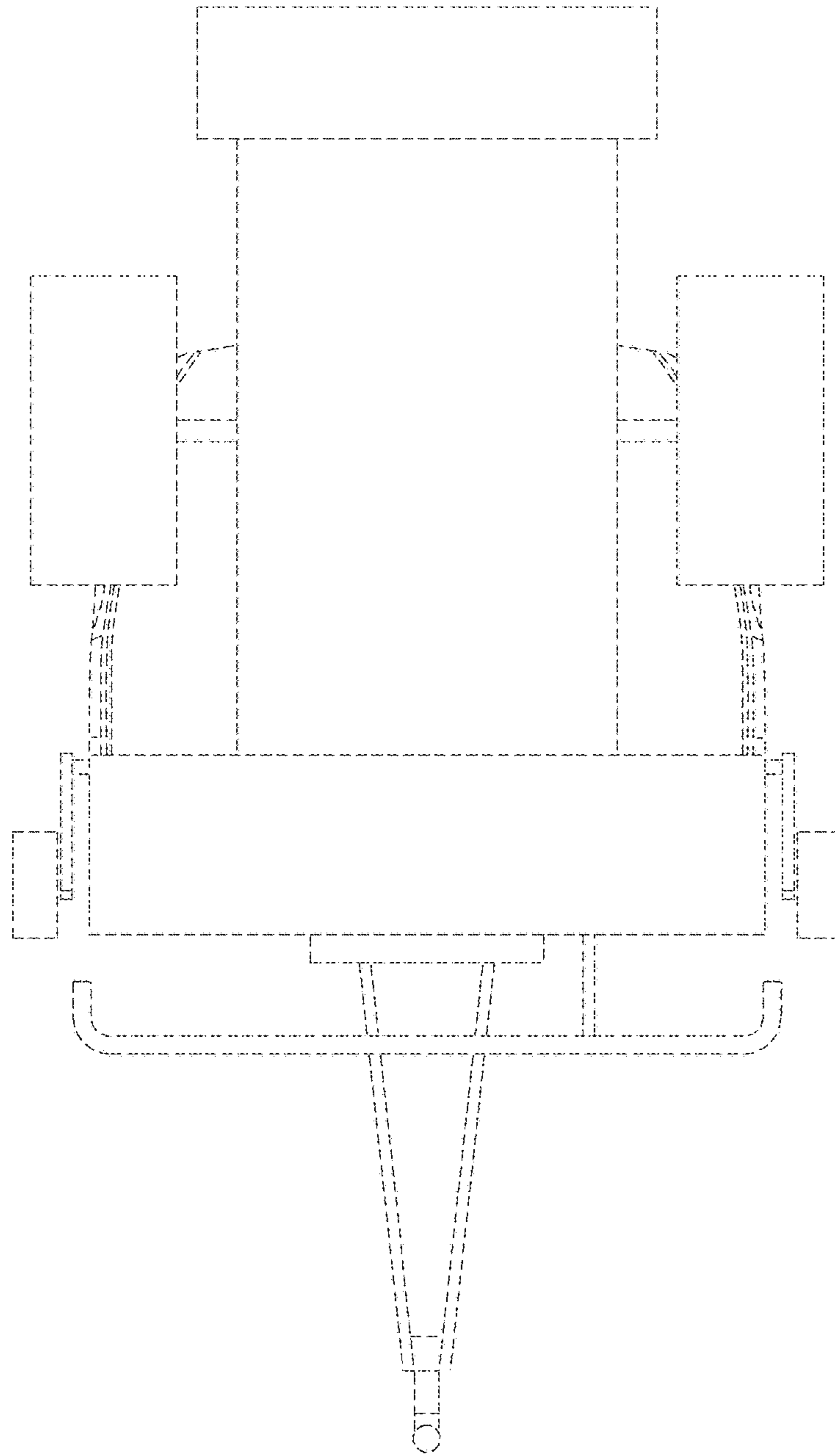


FIG. 14



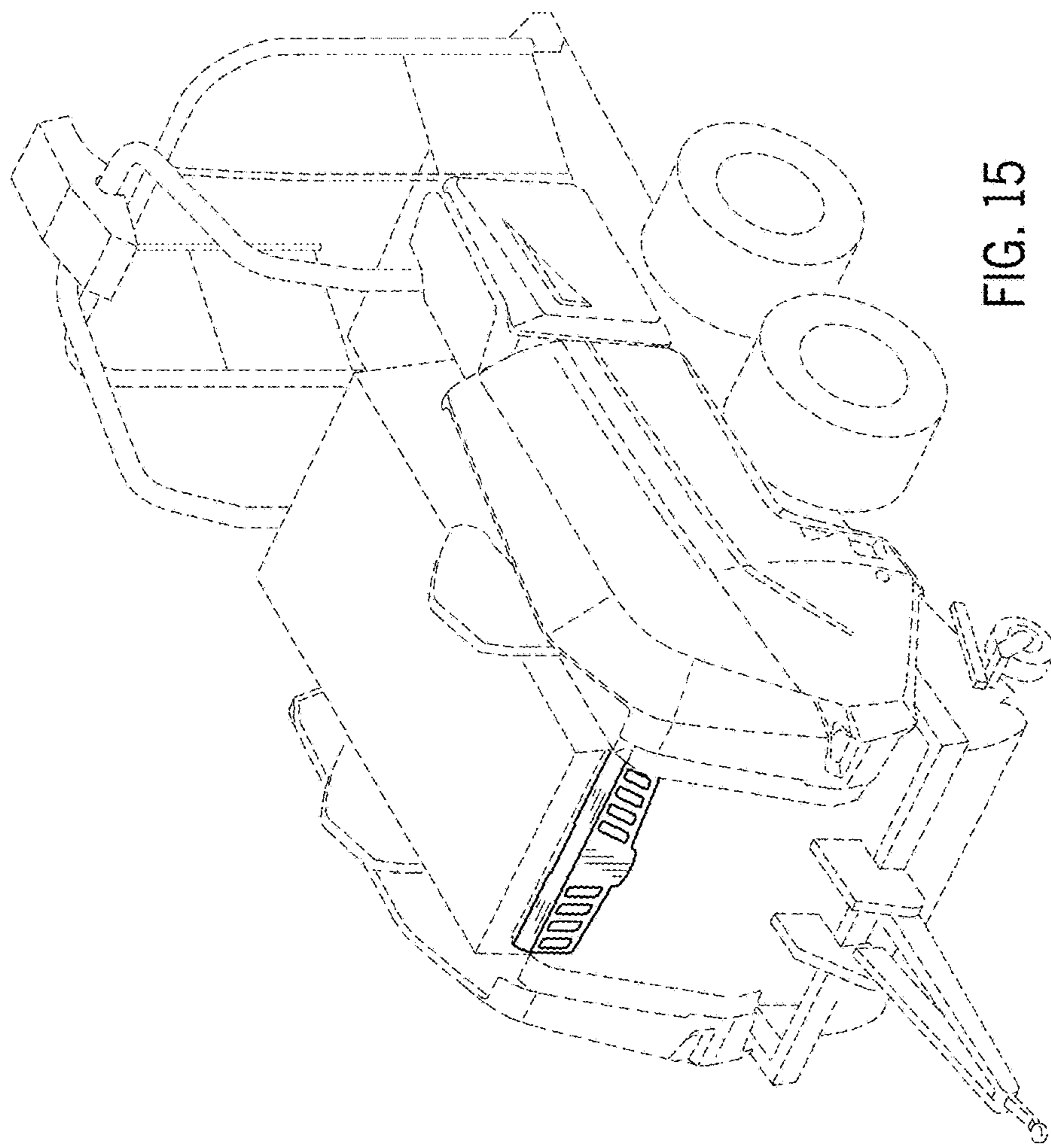


FIG. 15

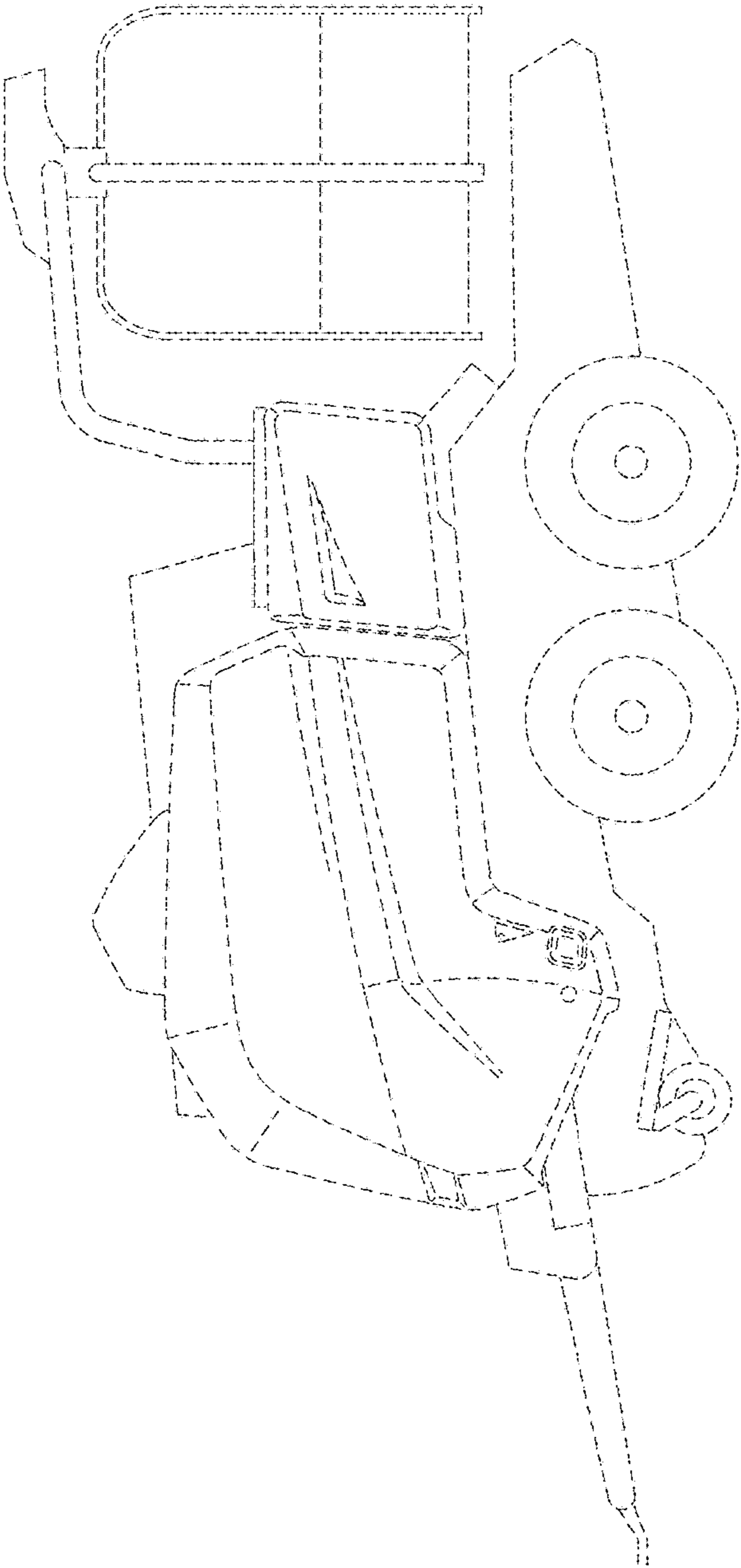


FIG. 16

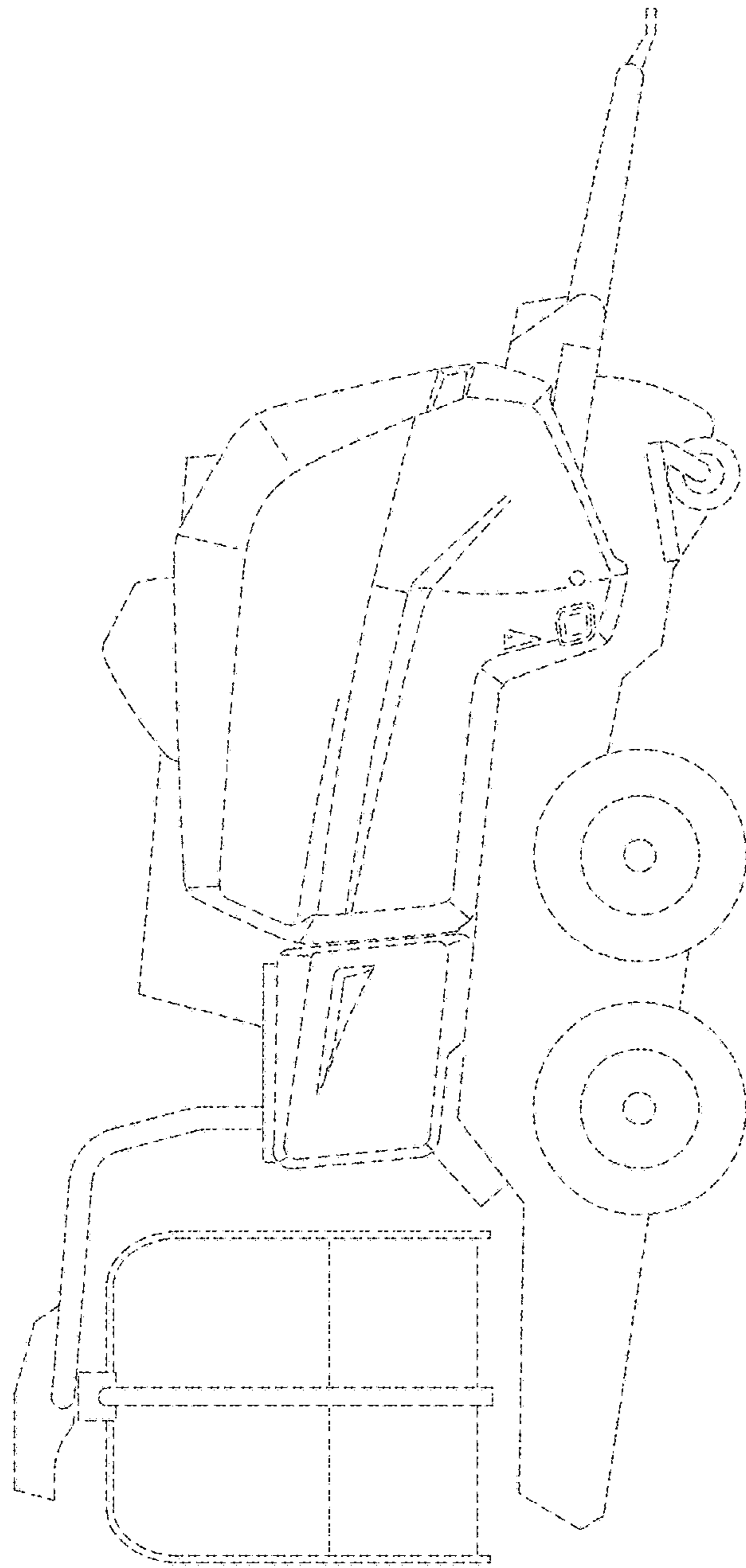


FIG. 17

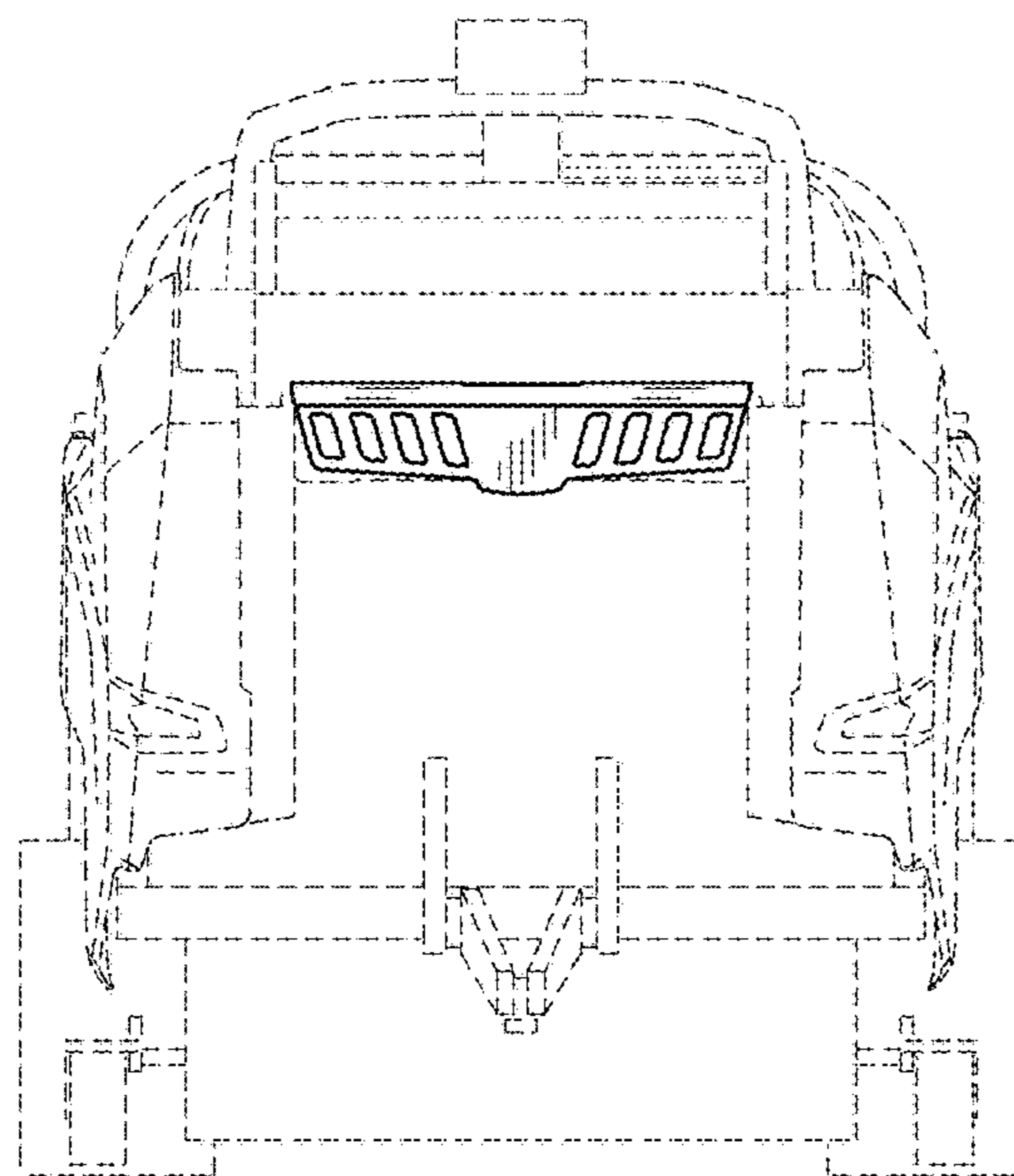


FIG. 18

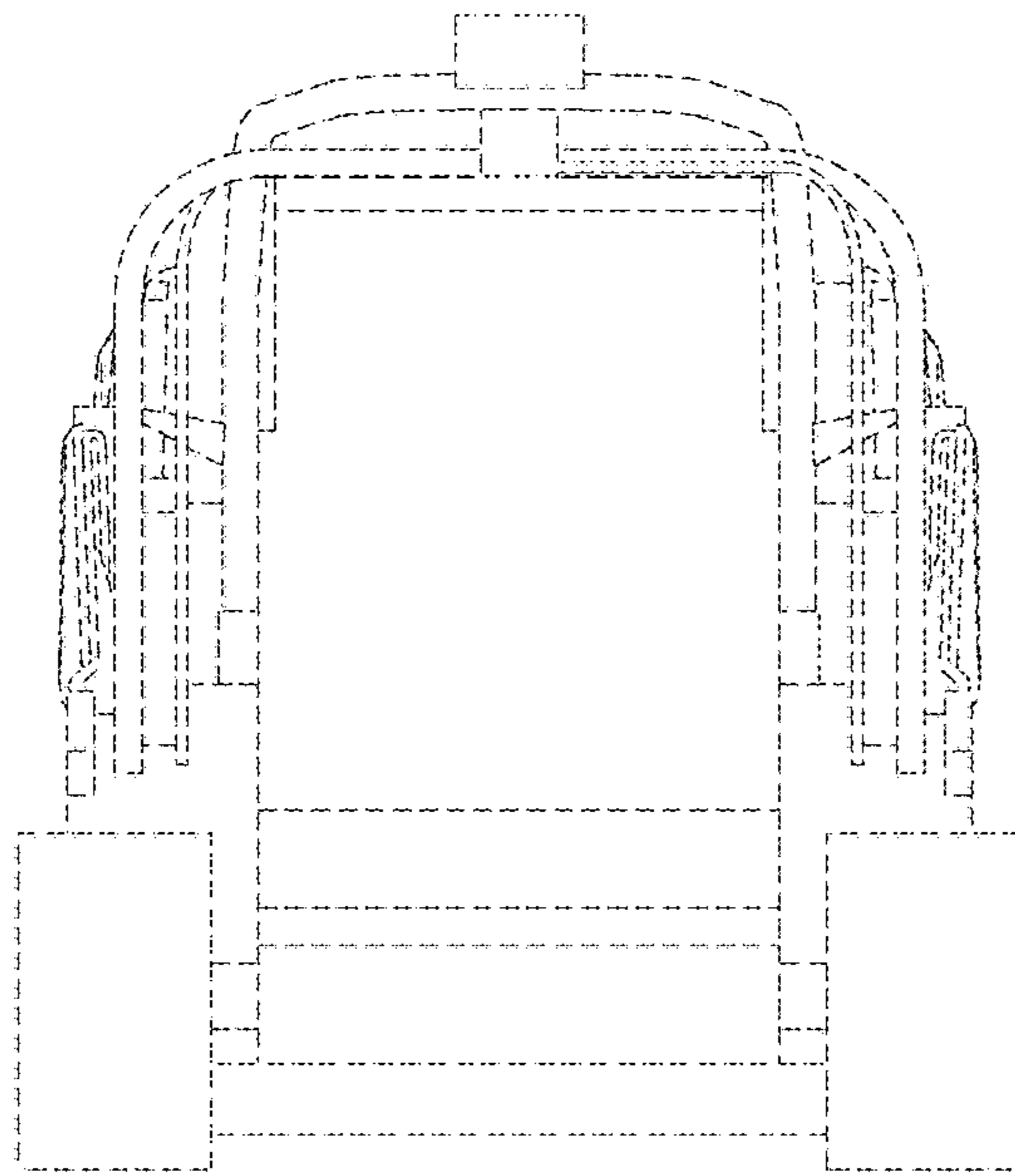


FIG. 19

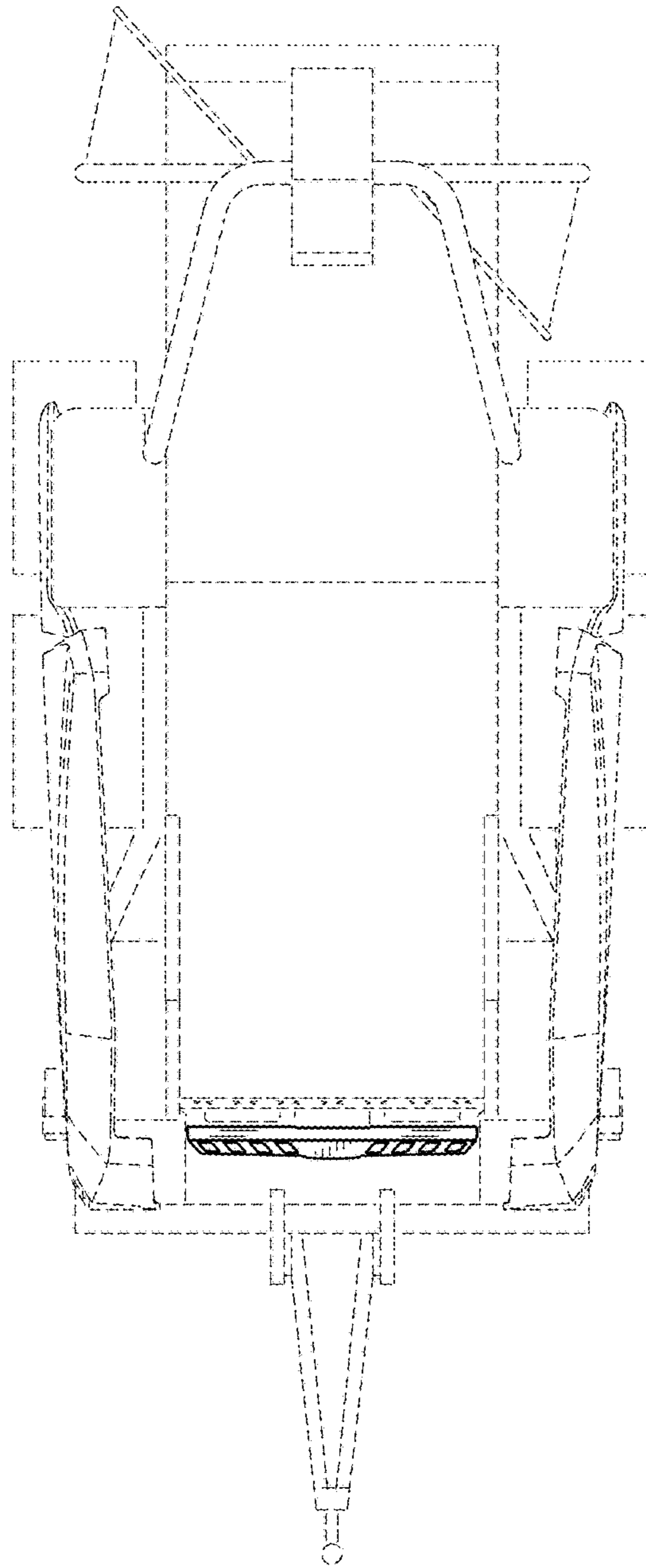


FIG. 20

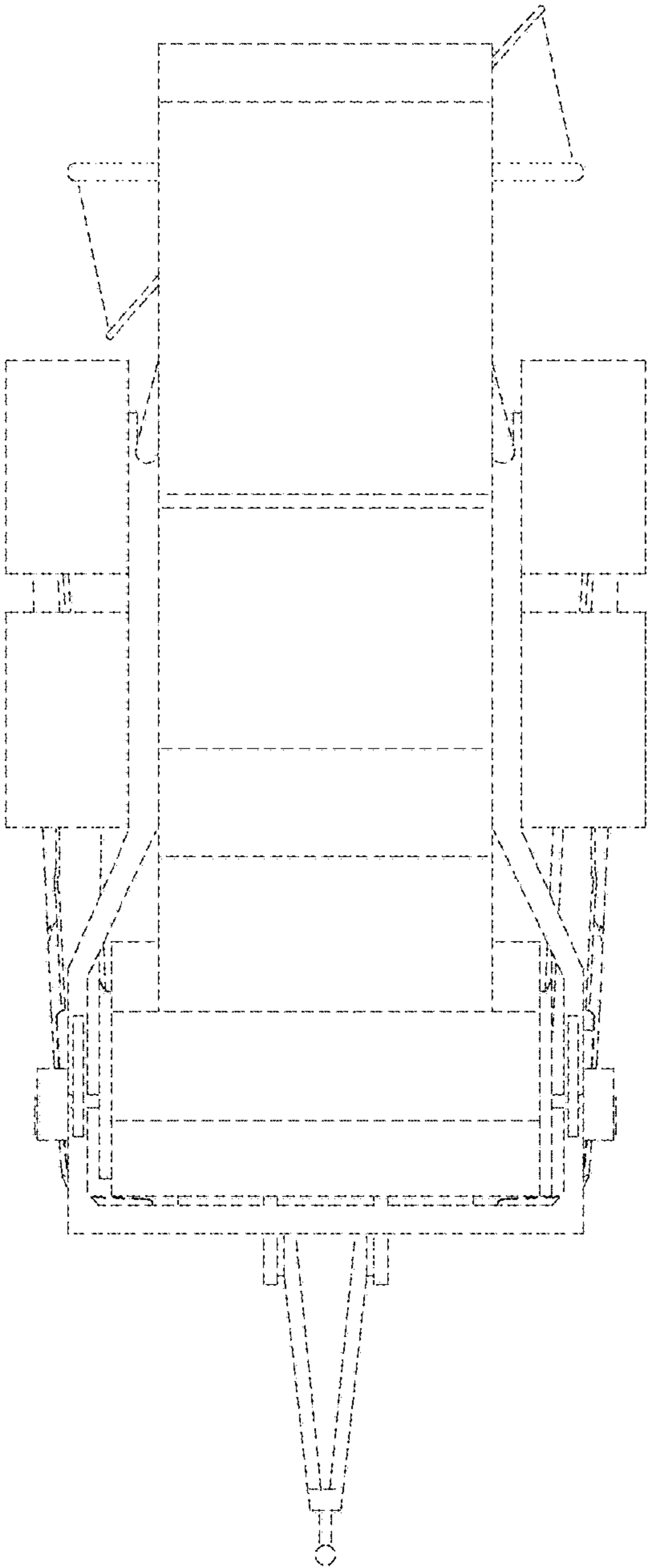


FIG. 21

UNITED STATES PATENT AND TRADEMARK OFFICE  
**CERTIFICATE OF CORRECTION**

PATENT NO. : D836,679 S  
APPLICATION NO. : 29/629811  
DATED : December 25, 2018  
INVENTOR(S) : Mickael Zabe

Page 1 of 1

It is certified that error appears in the above-identified patent and that said Letters Patent is hereby corrected as shown below:

On the Title Page

After "Filed: Dec. 15, 2017," insert:

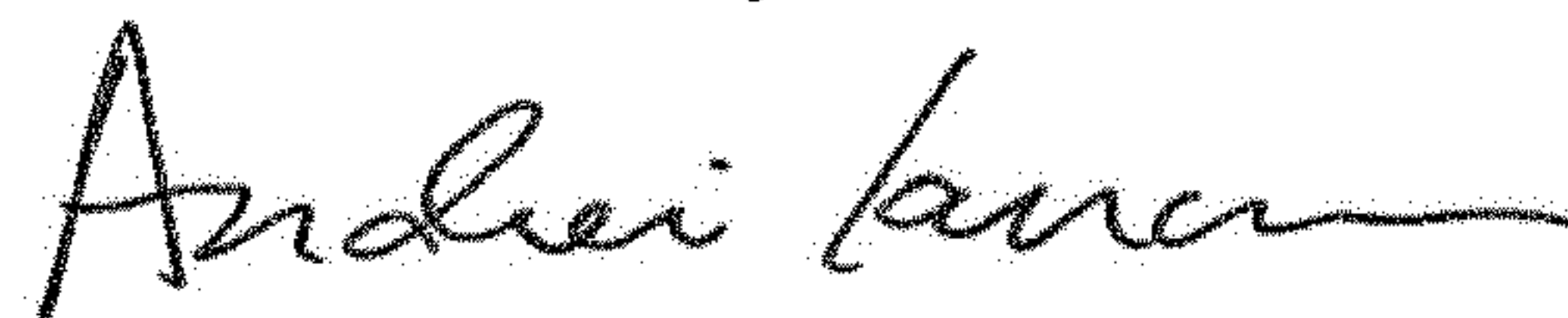
**--Foreign Application Priority Data**

Jun. 26, 2017 (EM) ..... 004067312

Jun. 26, 2017 (EM) ..... 004067379

Jul. 11, 2017 (EM) ..... 004097715--

Signed and Sealed this  
Thirtieth Day of June, 2020



Andrei Iancu  
*Director of the United States Patent and Trademark Office*