



US00D836677S

(12) **United States Design Patent** (10) **Patent No.:** **US D836,677 S**
Alexander et al. (45) **Date of Patent:** **** Dec. 25, 2018**

(54) **PRESSURE WASHER PUMP HOUSING**
(71) Applicant: **FNA Group, Inc.**, Pleasant Prairie, WI (US)
(72) Inventors: **Gus Alexander**, Inverness, IL (US);
Paulo Rogerio Funk Kolicheski,
Gurnee, IL (US)
(73) Assignee: **FNA Group, Inc.**, Pleasant Prairie, WI (US)
(**) Term: **15 Years**

D554,152 S 10/2007 Ratner
D581,950 S 12/2008 Ratner
D582,434 S 12/2008 Turgut
D582,435 S 12/2008 Turgut
D582,944 S 12/2008 Turgut
D589,983 S 4/2009 Sinico
D591,311 S 4/2009 Tojo
D604,330 S 11/2009 Duong et al.
7,611,337 B2 11/2009 Reverberi et al.
D613,765 S 4/2010 Reverberi et al.
D613,766 S 4/2010 Reverberi et al.
D616,467 S 5/2010 Reverberi et al.
D617,814 S 6/2010 Dreifert
D633,101 S 2/2011 Magri
D633,102 S 2/2011 Magri

(Continued)

(21) Appl. No.: **29/598,851**
(22) Filed: **Mar. 29, 2017**
(51) **LOC (11) Cl.** **15-02**
(52) **U.S. Cl.**
USPC **D15/7**
(58) **Field of Classification Search**
USPC D15/7-9; D23/231, 232, 225; 417/60,
417/235, 265, 321, 355, 358, 363, 359,
417/410.1, 415-416, 405, 900, 269, 539;
60/408, 412; 184/26-37; 415/140-147;
123/495, 509; 137/565.34
CPC F02M 37/04; F02M 37/14; F04B 53/92;
F04B 1/005; F04D 13/06; F04D 29/22;
F04D 29/046; F04D 29/2266
See application file for complete search history.

(56) **References Cited**
U.S. PATENT DOCUMENTS
D205,691 S 9/1966 Ruliffson
D354,495 S 1/1995 Tojo
5,494,414 A 2/1996 Steinhart et al.
D476,665 S 7/2003 Stewart
D536,005 S 1/2007 Reverberi
D538,824 S 3/2007 Tojo
D538,826 S 3/2007 Kienzle
D553,157 S 10/2007 Busschaert

OTHER PUBLICATIONS

Non-Final Office Action issued in U.S. Appl. No. 29/598,843 dated Jan. 24, 2018.

(Continued)

Primary Examiner — Ralf Seifert
(74) *Attorney, Agent, or Firm* — Jeffrey T. Placker;
Steven E. Jedlinkski; Holland & Knight LLP

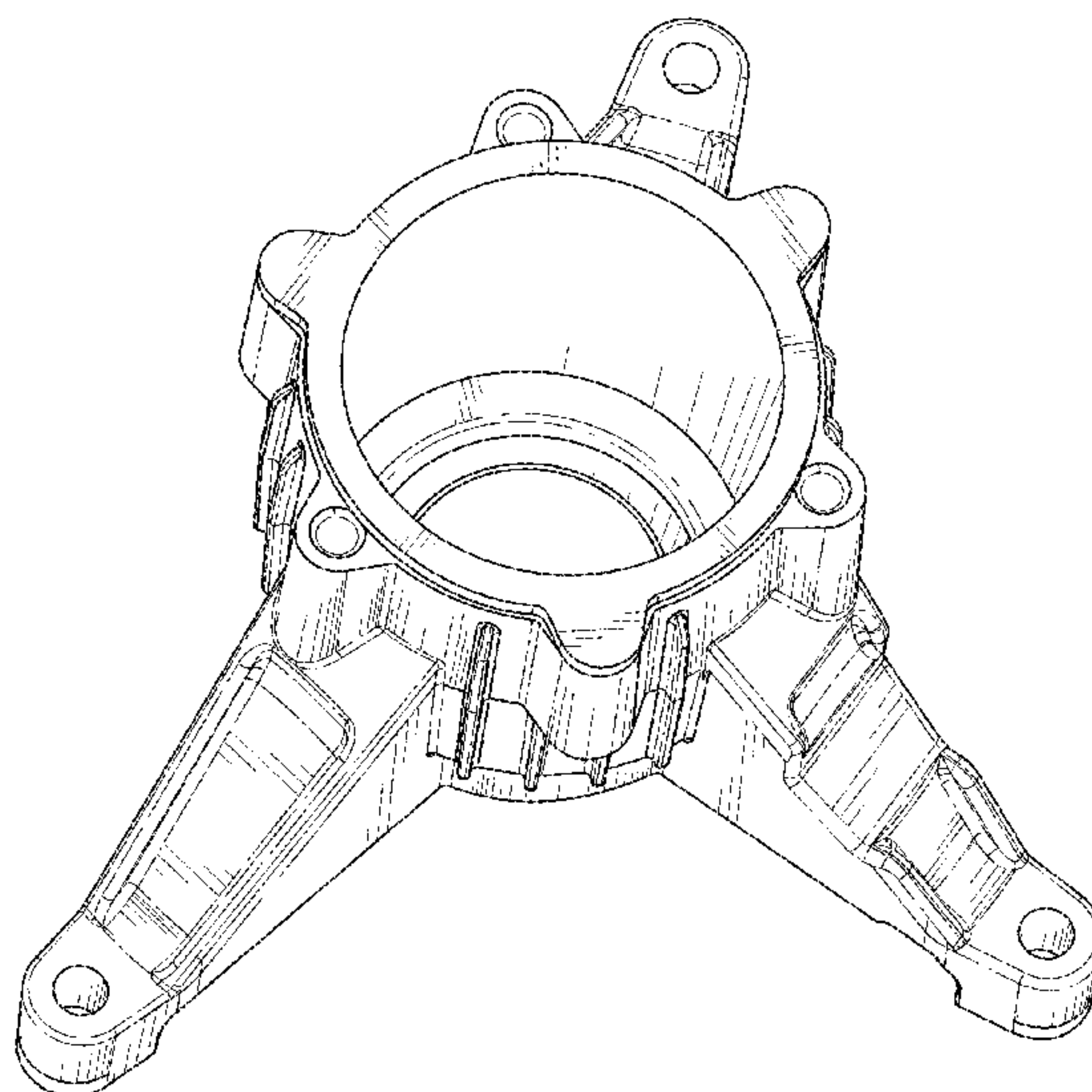
(57) **CLAIM**

The ornamental design for a pressure washer pump housing, as shown and described.

DESCRIPTION

FIG. 1 is a top-front perspective view of a pressure washer pump housing;
FIG. 2 is a bottom-rear perspective view thereof;
FIG. 3 is a front elevation view thereof;
FIG. 4 is a rear elevation view thereof;
FIG. 5 is a right side elevation view thereof;
FIG. 6 is a left side elevation view thereof;
FIG. 7 is a top plan view thereof; and,
FIG. 8 is a bottom plan view thereof.

1 Claim, 8 Drawing Sheets



(56)

References Cited

OTHER PUBLICATIONS

U.S. PATENT DOCUMENTS

D633,103 S 2/2011 Magri
 D633,104 S 2/2011 Magri
 D633,105 S 2/2011 Magri
 D633,406 S 3/2011 Magri
 D634,664 S 3/2011 DaRif
 D642,594 S 8/2011 Mattson et al.
 D644,252 S 8/2011 Kojima
 D648,353 S 11/2011 Mattson et al.
 8,083,497 B2 12/2011 Gilpatrick et al.
 D652,844 S 1/2012 Hanitsch et al.
 D654,095 S 2/2012 Mattson et al.
 D656,962 S 4/2012 Boldsen
 D667,466 S * 9/2012 Barmore D15/7
 D670,312 S 11/2012 Alexander et al.
 D688,273 S 8/2013 Magri
 D691,638 S 10/2013 Alexander et al.
 D692,026 S 10/2013 Alexander et al.
 D699,762 S 2/2014 Alexander et al.
 D700,211 S 2/2014 Alexander et al.
 D700,212 S 2/2014 Alexander et al.
 D702,262 S 4/2014 Magri
 D726,225 S 4/2015 Alexander et al.
 D726,226 S 4/2015 Alexander et al.
 D768,208 S 10/2016 Paderni et al.
 D771,719 S 11/2016 Van Keulen et al.
 D776,720 S 1/2017 Davalos et al.
 D788,179 S * 5/2017 Theiss D15/7
 D789,422 S * 6/2017 Theiss D15/7
 9,677,548 B2 6/2017 Paderni et al.
 D797,156 S 9/2017 Paderni et al.
 D823,345 S * 7/2018 Wilds D15/7

Notice of Allowance issued in U.S. Appl. No. 29/603,199 dated Feb. 28, 2018.
 Non-Final Office Action issued in U.S. Appl. No. 29/607,842 dated Feb. 12, 2018.
 Non-Final Office Action issued in U.S. Appl. No. 29/604,568 dated Feb. 13, 2018.
 Non-Final Office Action issued in U.S. Appl. No. 29/604,046 dated Feb. 16, 2018.
 Notice of Allowance issued in U.S. Appl. No. 29/407,459 dated Jun. 22, 2012.
 Non-Final Office Action issued in U.S. Appl. No. 29/427,971 dated Dec. 26, 2012.
 Notice of Allowance issued in U.S. Appl. No. 29/427,971 dated Jun. 26, 2013.
 Non-Final Office Action issued in U.S. Appl. No. 29/429,403 dated Dec. 27, 2012.
 Notice of Allowance issued in U.S. Appl. No. 29/429,403 dated Nov. 13, 2013.
 Non-Final Office Action issued in U.S. Appl. No. 29/434,059 dated Jul. 9, 2013.
 Notice of Allowance issued in U.S. Appl. No. 29/434,059 dated Oct. 11, 2013.
 Notice of Allowance issued in U.S. Appl. No. 29/443,833 dated Jul. 5, 2013.
 Non-Final Office Action issued in U.S. Appl. No. 29/477,533 dated Aug. 22, 2014.
 Notice of Allowance issued in U.S. Appl. No. 27/477,533 dated Dec. 3, 2014.
 Non-Final Office Action issued in U.S. Appl. No. 29/477,559 dated Aug. 25, 2014.
 Notice of Allowance issued in U.S. Appl. No. 29/477,559 dated Dec. 2, 2014.

* cited by examiner

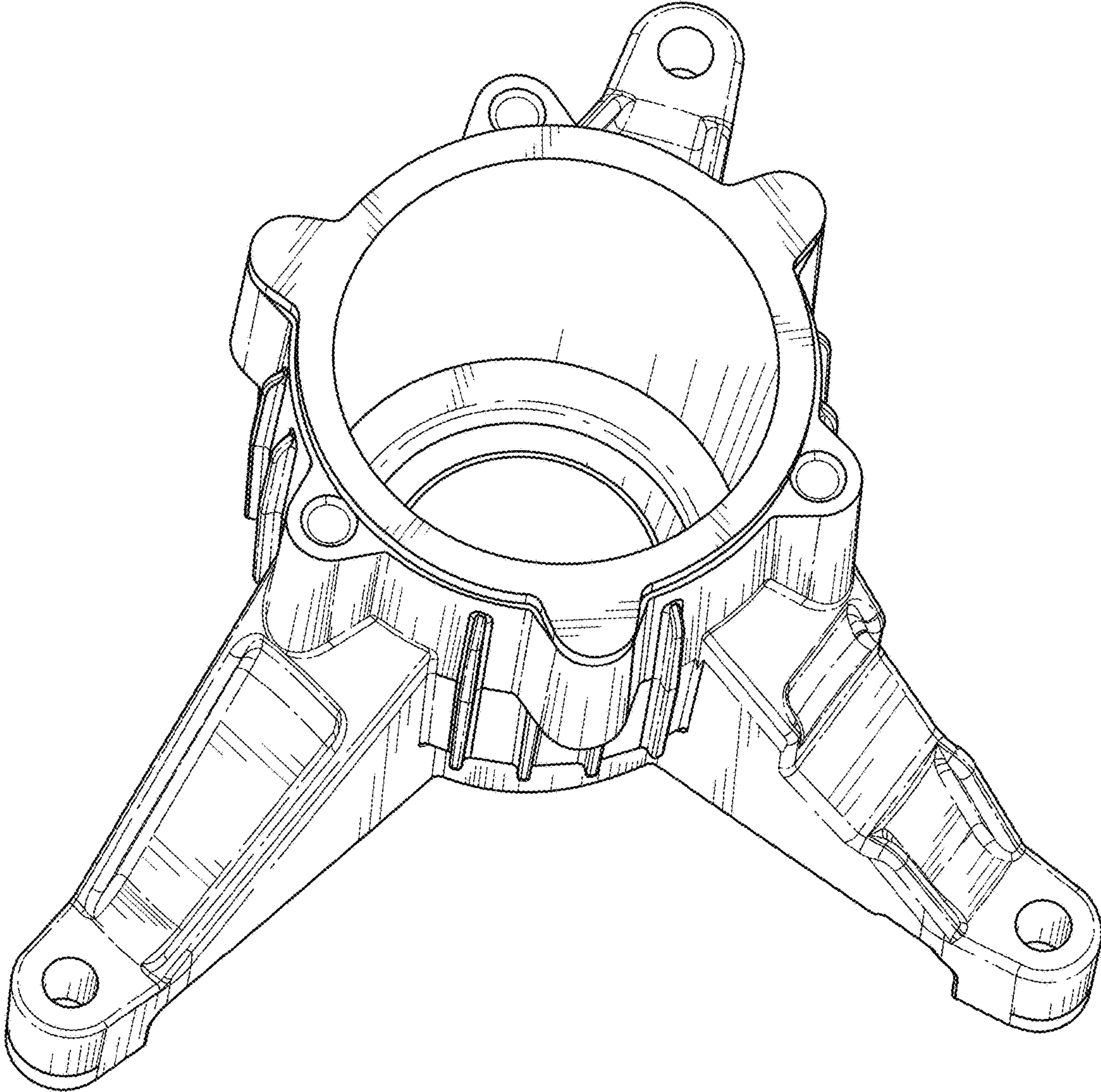


FIG. 1

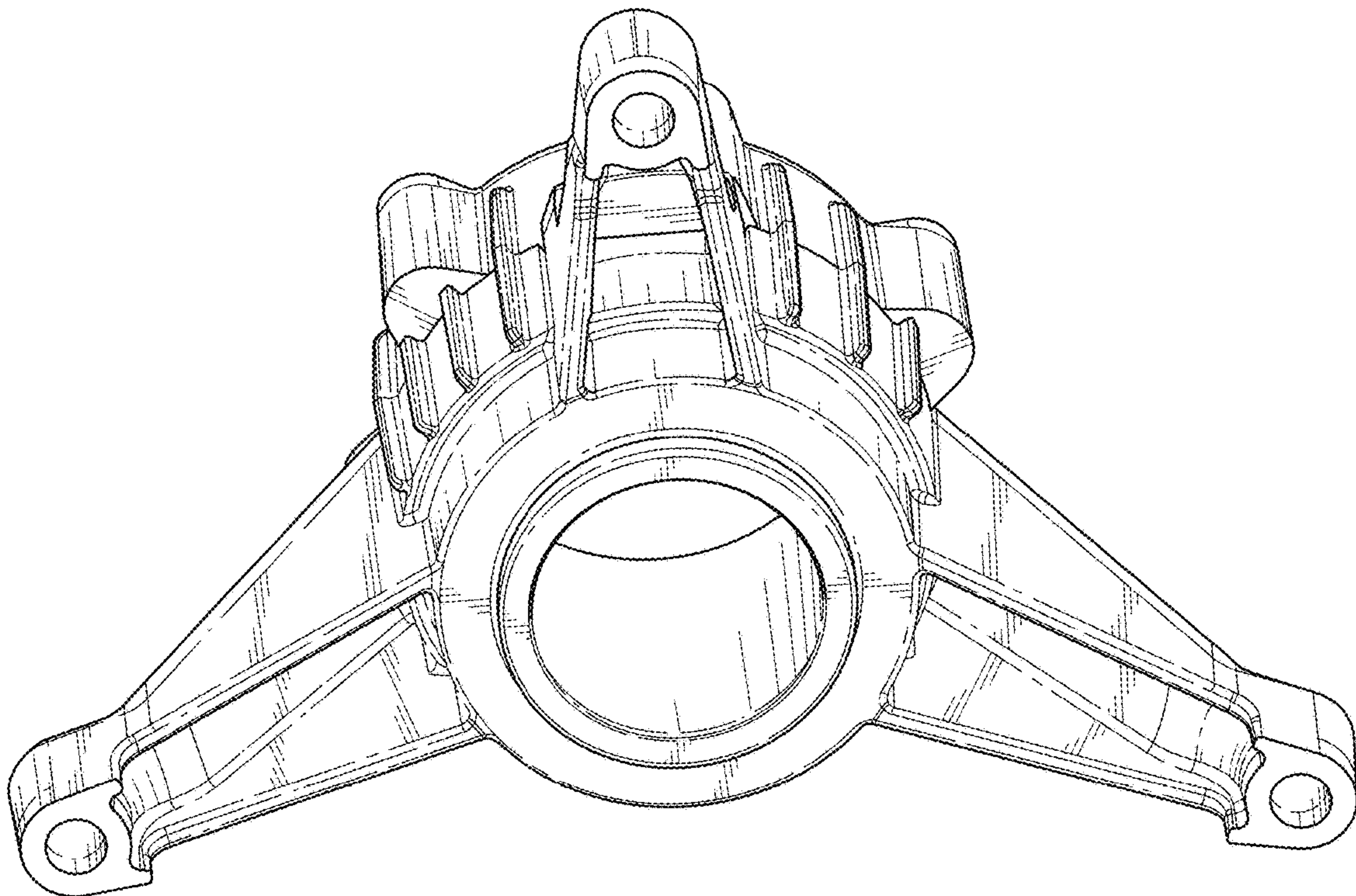


FIG. 2

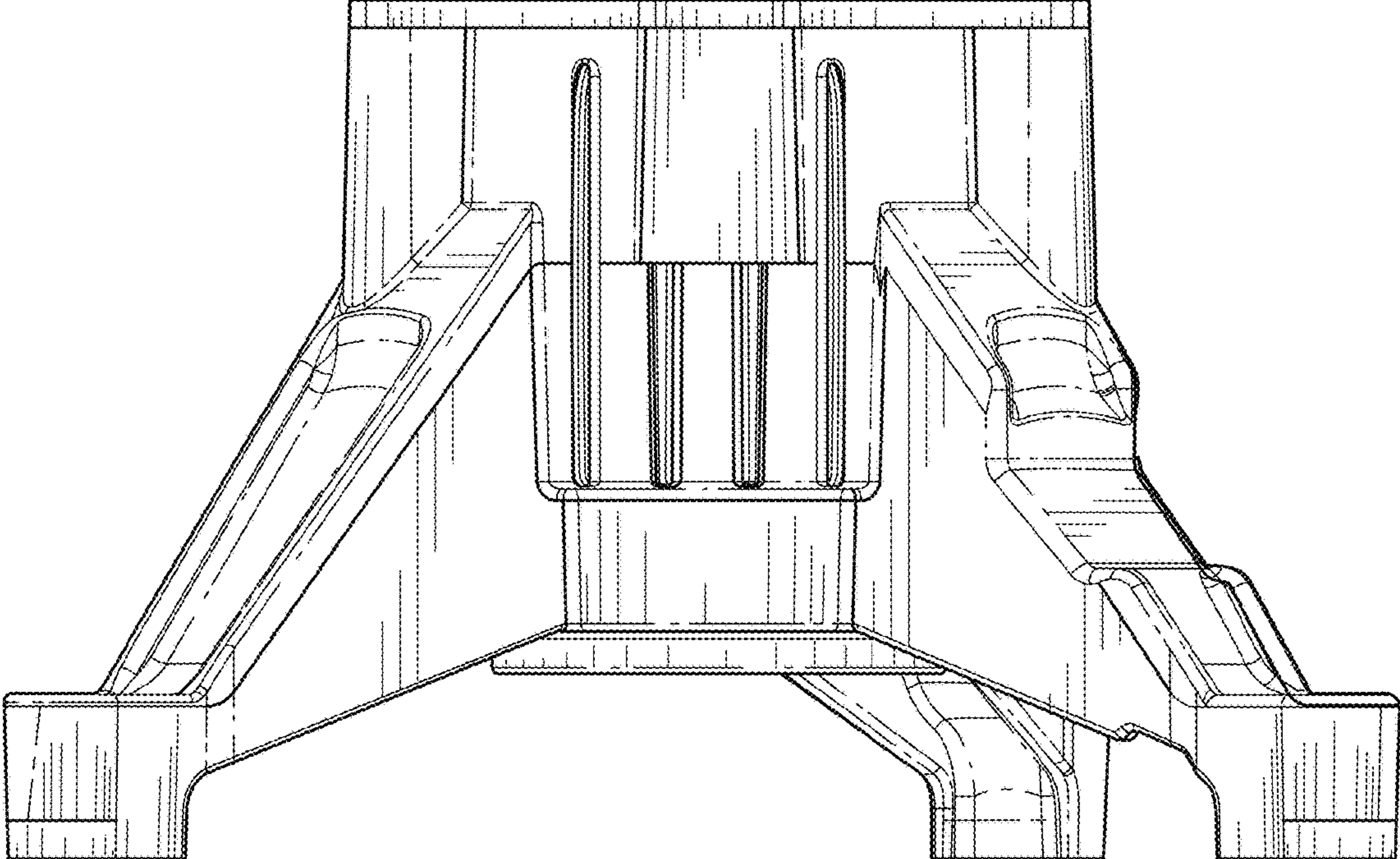


FIG. 3

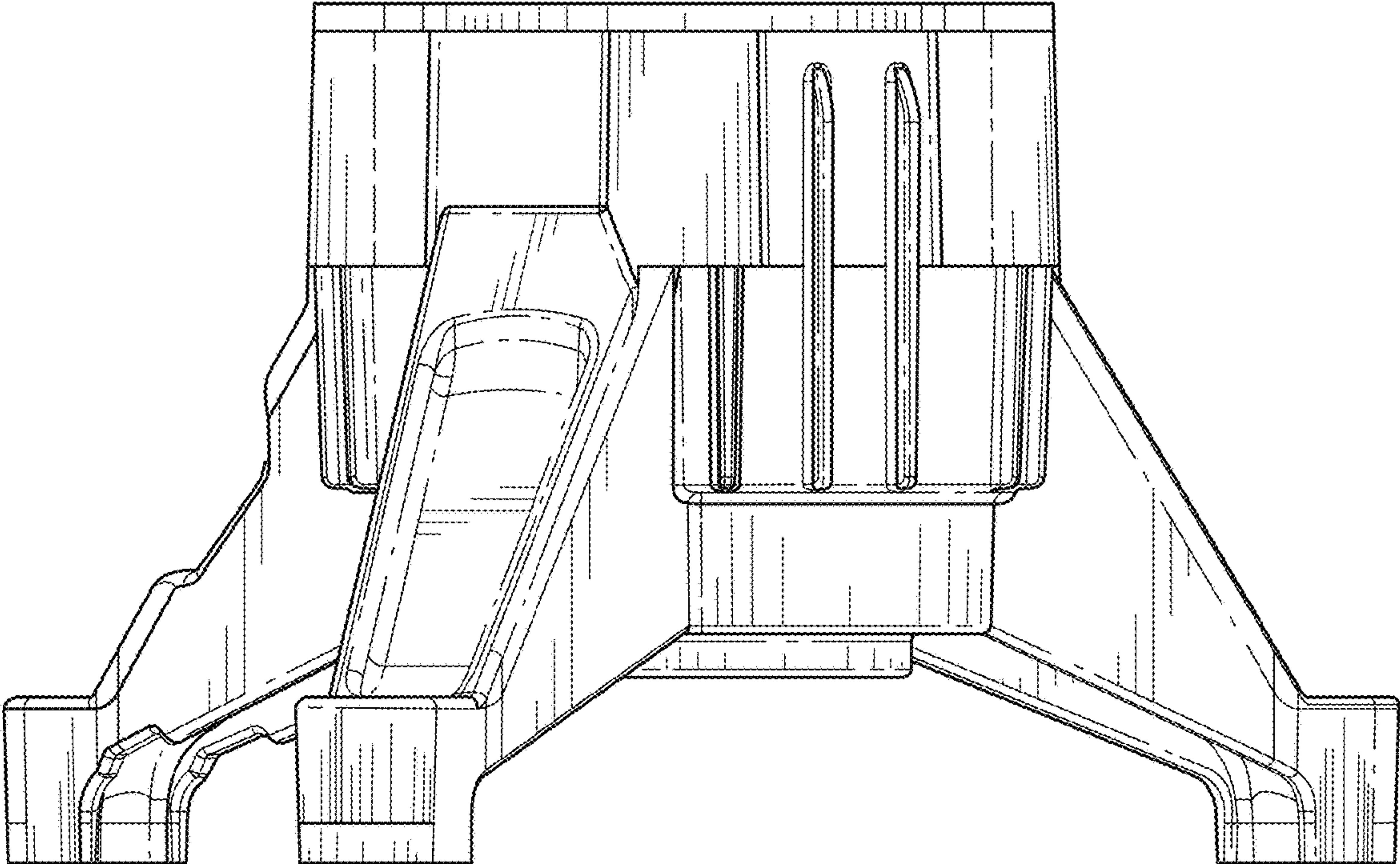


FIG. 4

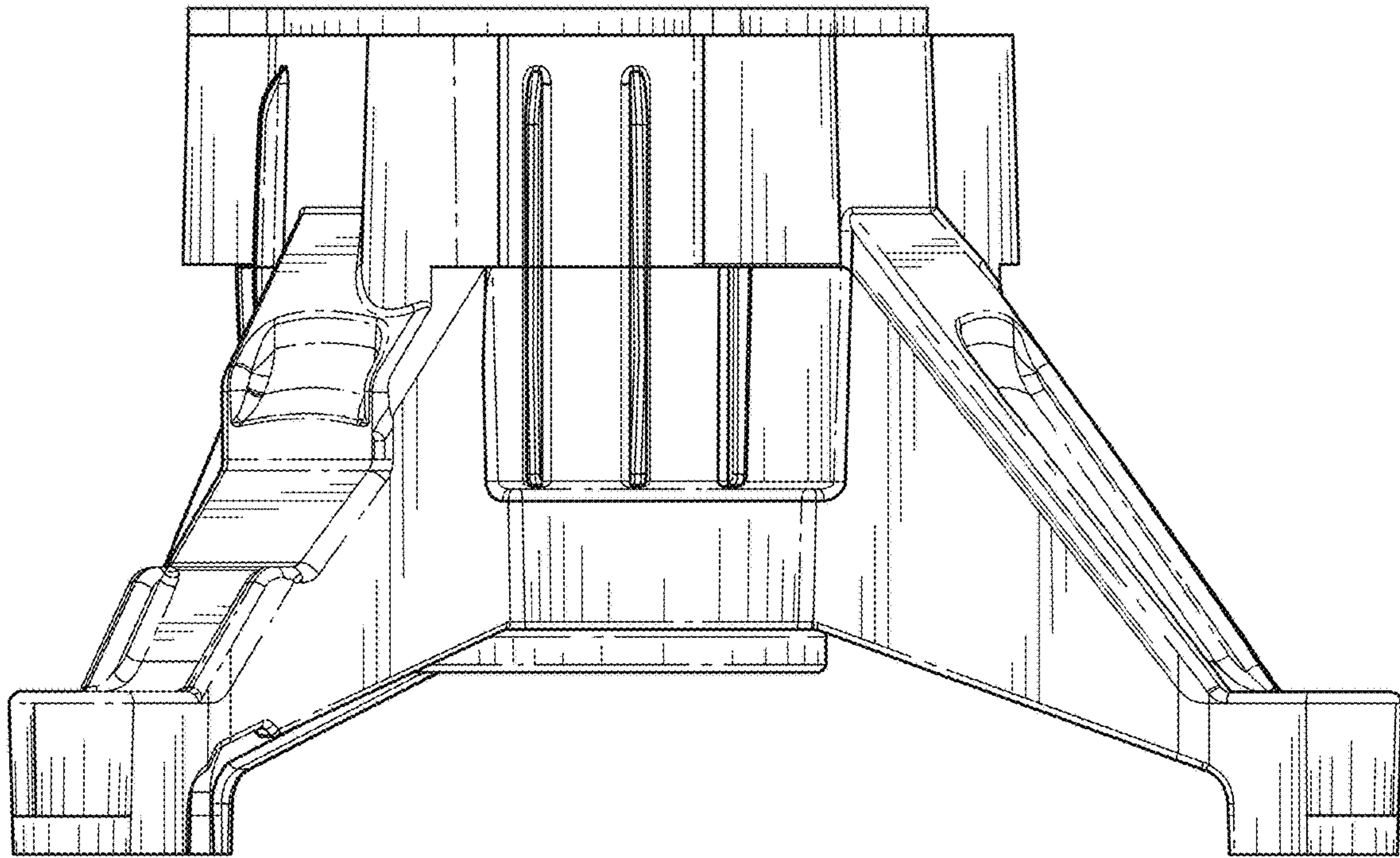


FIG. 5

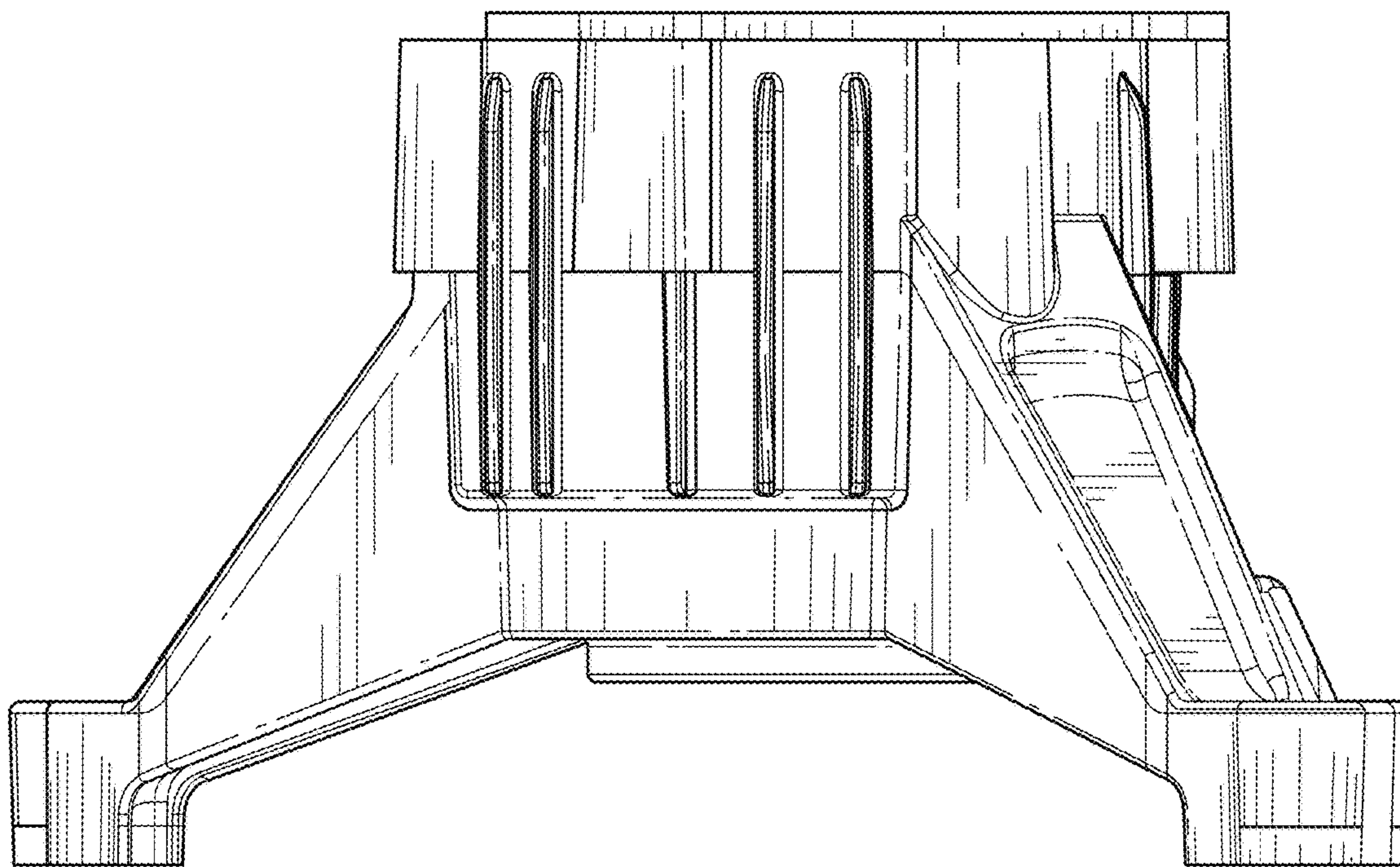


FIG. 6

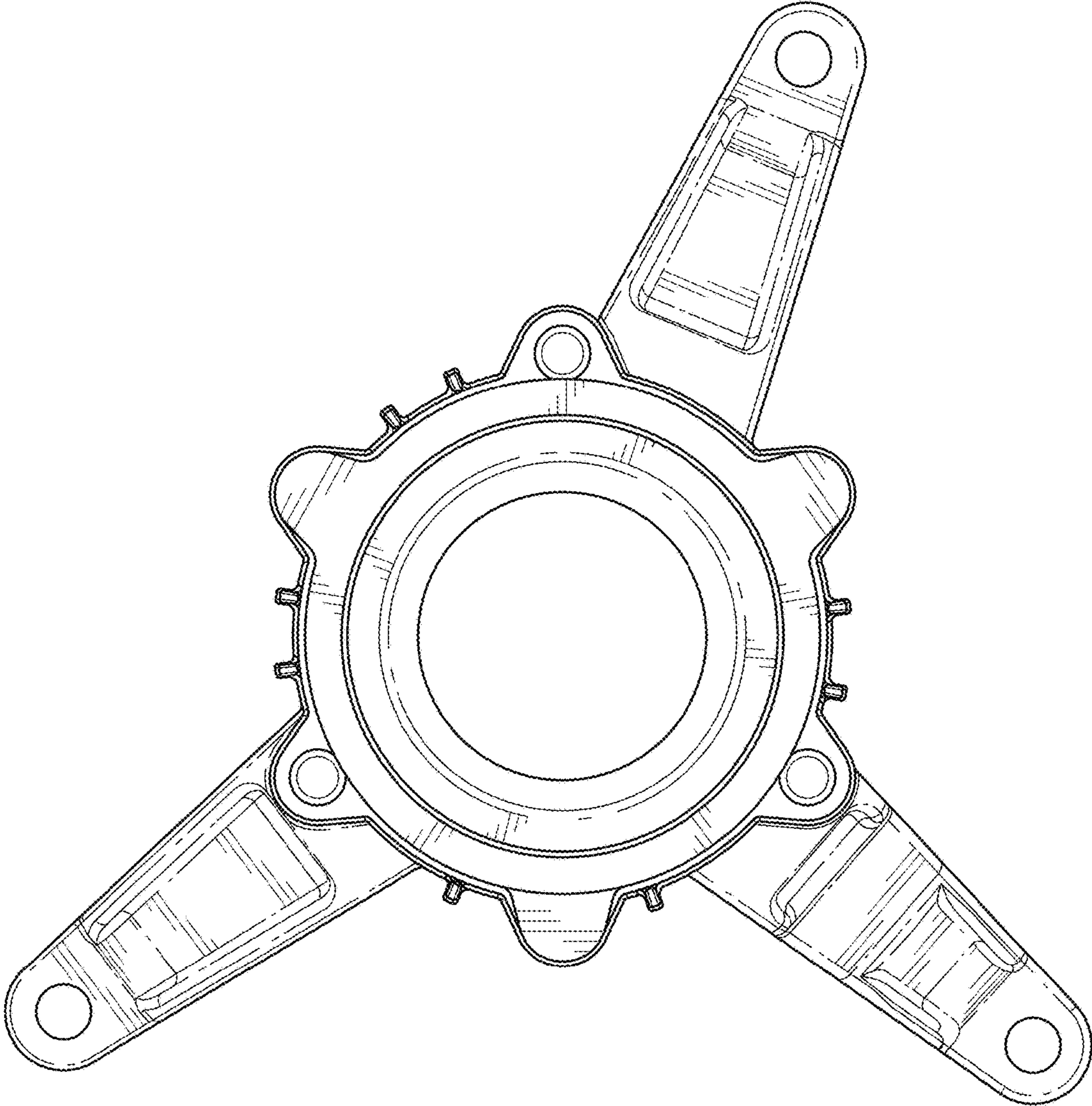


FIG. 7

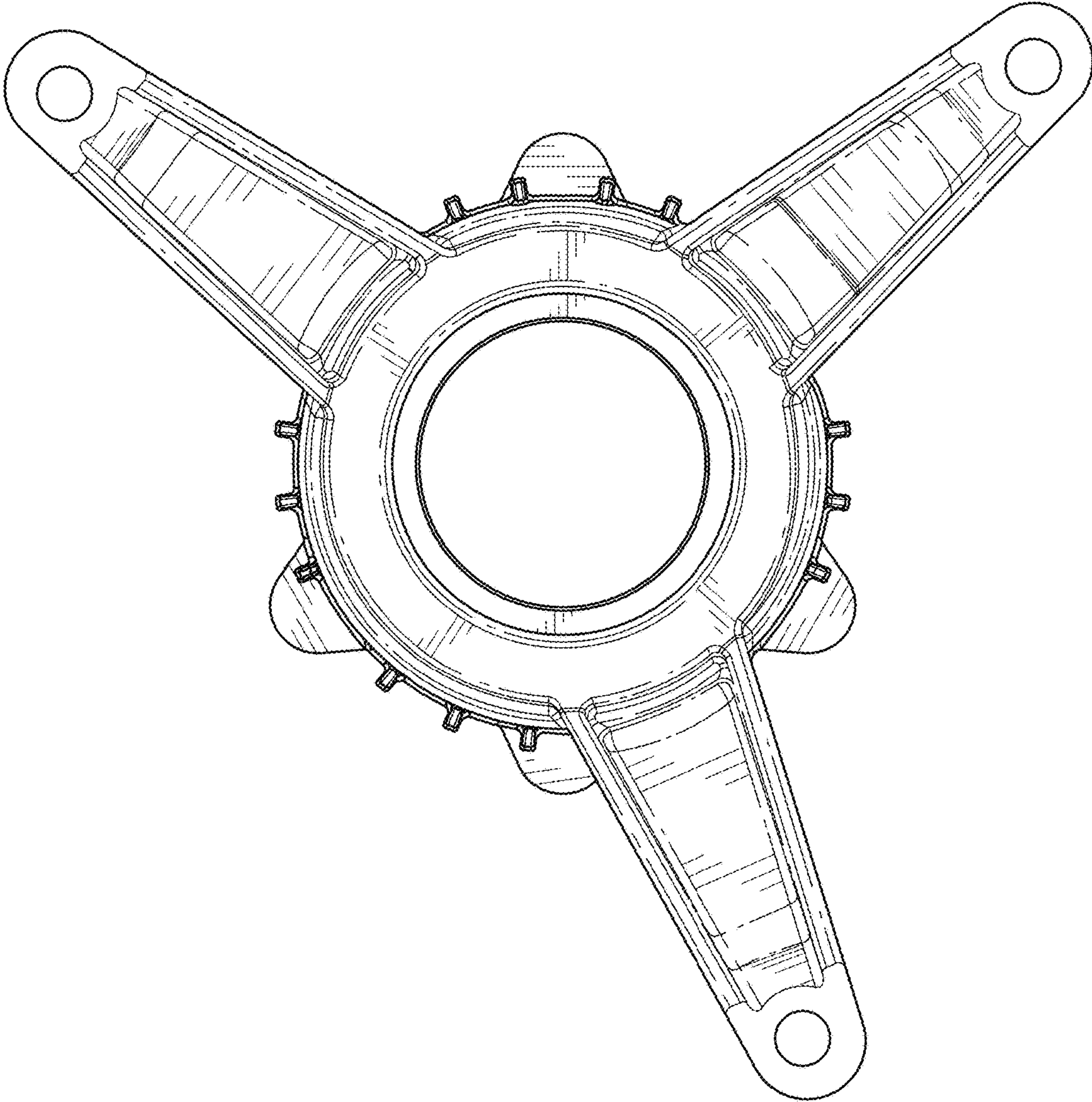


FIG. 8