



US00D836676S

(12) **United States Design Patent**
Geldenhuis et al.

(10) **Patent No.:** **US D836,676 S**

(45) **Date of Patent:** **** Dec. 25, 2018**

- (54) **VOLUTE LINER**
- (71) Applicant: **BATTLEMAX (PTY) LTD.**, Centurion (ZA)
- (72) Inventors: **Siegfried Geldenhuis**, Knysna (ZA); **Marthinus Jacobus Buitendag**, Centurion (ZA)
- (73) Assignee: **BATTLEMAX (PTY) LTD.**, Sunderland Ridge, Centurion (ZA)

(**) Term: **15 Years**

(21) Appl. No.: **29/596,401**

(22) Filed: **Mar. 8, 2017**

(30) **Foreign Application Priority Data**

Sep. 9, 2016 (ZA) F2016/01325

(51) **LOC (11) Cl.** **15-02**

(52) **U.S. Cl.**
USPC **D15/7**

(58) **Field of Classification Search**
USPC D15/5-9; D23/231, 232, 225
CPC F02M 37/04; F02M 37/14; F04D 29/4286;
F04D 1/00; F04D 1/063; F04D 1/066;
F04D 7/02; F04D 17/08; F04D 29/005;
F04D 29/40; F04D 29/026; F04D
29/4293; F04D 7/04; F04D 15/0033;
F04D 17/125; F04D 17/127; B29C
43/203; B29C 43/003
See application file for complete search history.

(56) **References Cited**

U.S. PATENT DOCUMENTS

- 666,234 A * 1/1901 McRae F04D 29/4286
285/55
- 888,814 A * 5/1908 Jones F04D 29/4286
285/189

- 1,967,182 A * 7/1934 Allen F04D 29/2294
277/369
- 3,018,736 A * 1/1962 Clay F04D 29/4286
406/99
- 4,776,760 A * 10/1988 Grisz F04D 29/4286
415/128
- 5,813,833 A * 9/1998 Addie F04D 7/04
415/121.1
- 6,053,698 A * 4/2000 Hergt F04D 7/04
415/121.1
- 6,431,831 B1 * 8/2002 Addie F04D 7/04
415/206
- D608,677 S * 1/2010 Glaves D15/7
- D609,248 S * 2/2010 Foreman D15/7
- D609,250 S * 2/2010 Liu D15/7
- D610,165 S * 2/2010 Glaves D15/7
- D616,902 S * 6/2010 Foreman D15/7
- D740,327 S * 10/2015 Naruoka D15/5
- 2007/0014662 A1 * 1/2007 Burgess F04D 29/4286
415/197
- 2011/0142599 A1 * 6/2011 Burgess F04D 29/4286
415/127

(Continued)

Primary Examiner — T Chase Nelson

Assistant Examiner — Ania Aman

(74) *Attorney, Agent, or Firm* — Tutunjian & Bitetto, P.C.

(57) **CLAIM**

The ornamental design for a volute liner, as shown and described.

DESCRIPTION

FIG. 1 is a perspective view of the volute liner showing our new design;

FIG. 2 is a top view thereof;

FIG. 3 is a bottom view thereof;

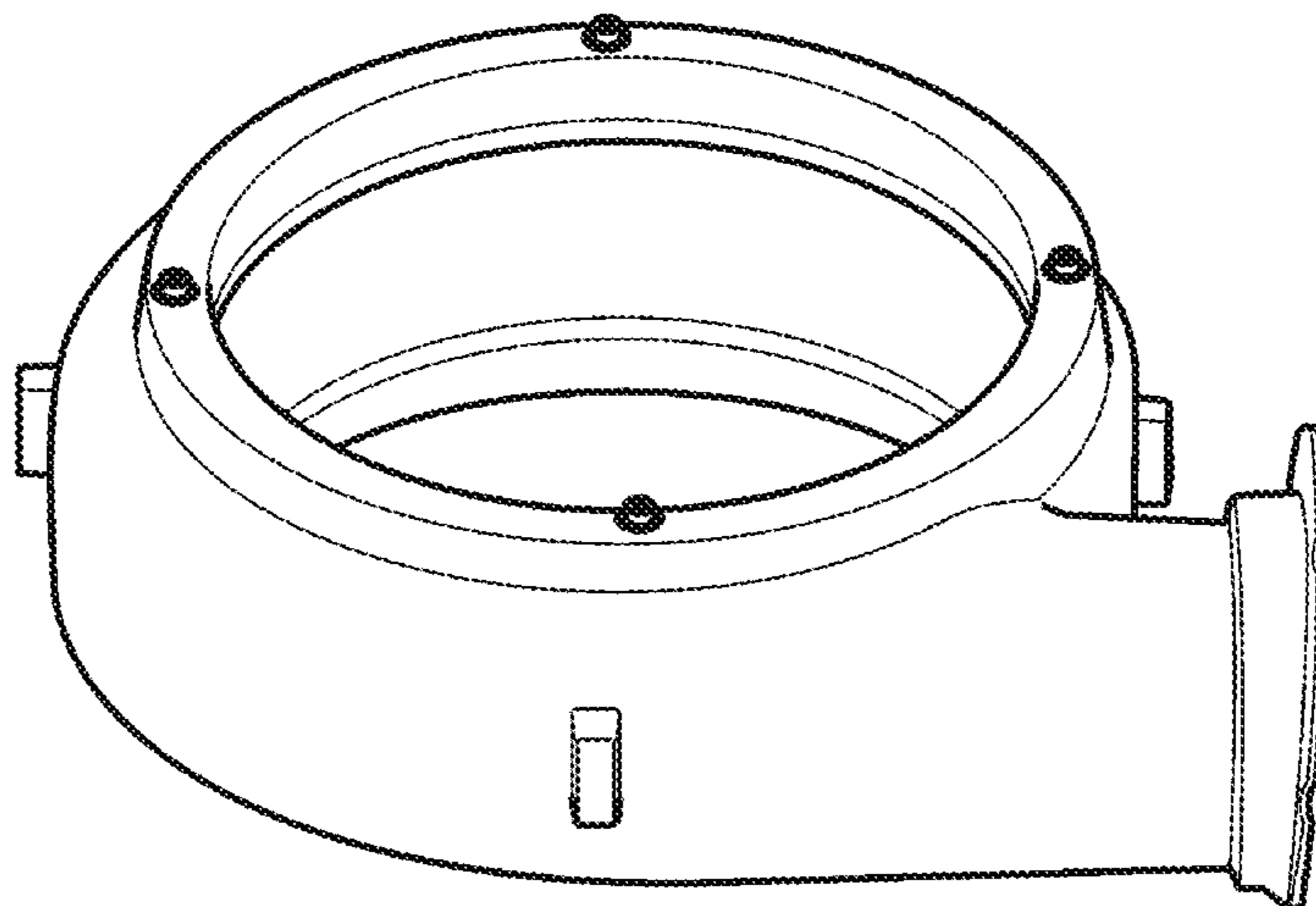
FIG. 4 is a right side view thereof;

FIG. 5 is a left side view thereof;

FIG. 6 is a front view thereof; and,

FIG. 7 is a rear side view thereof.

1 Claim, 3 Drawing Sheets



(56)

References Cited

U.S. PATENT DOCUMENTS

2014/0140836 A1 * 5/2014 Embrey F04D 29/026
415/204

* cited by examiner

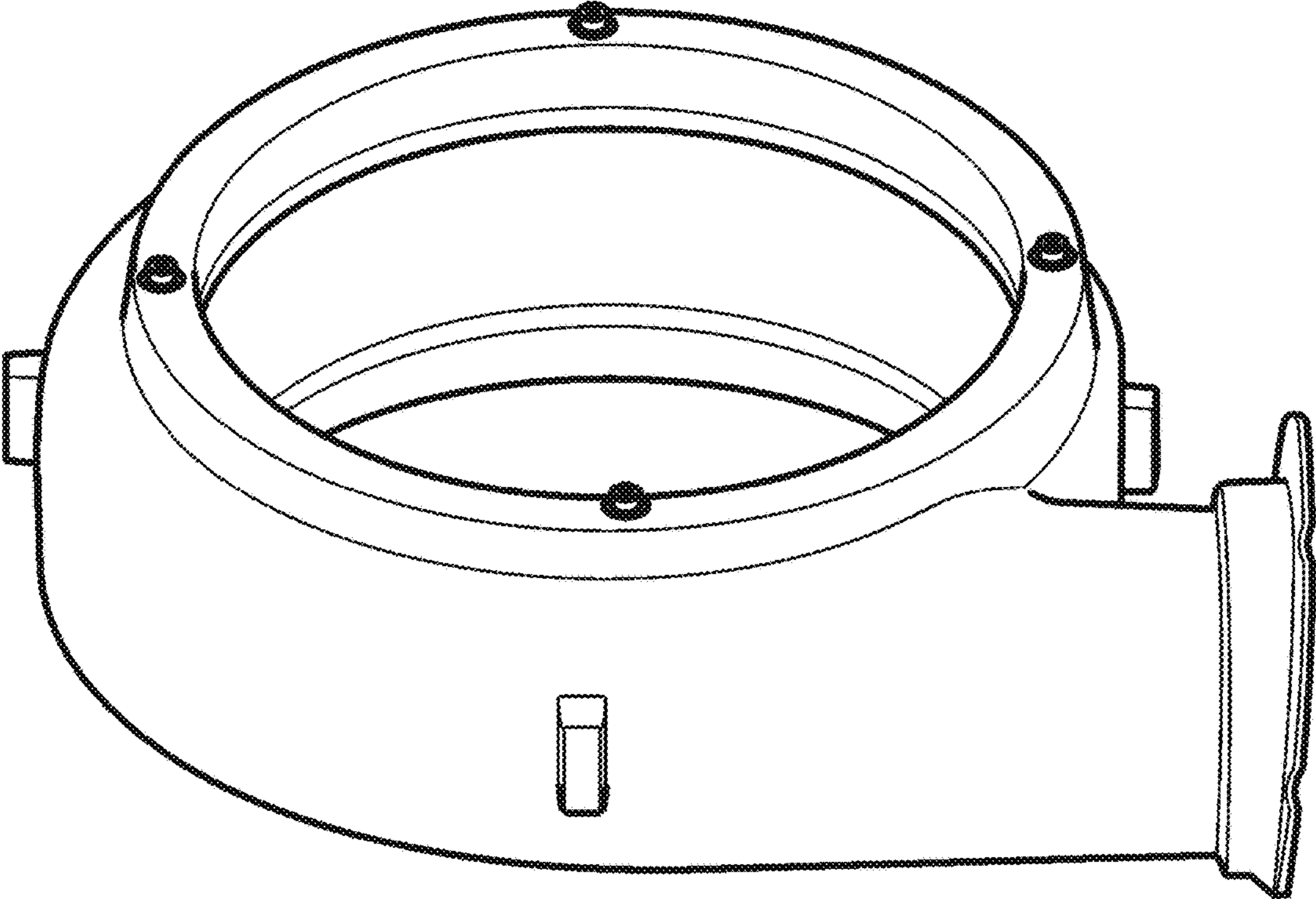


FIG. 1

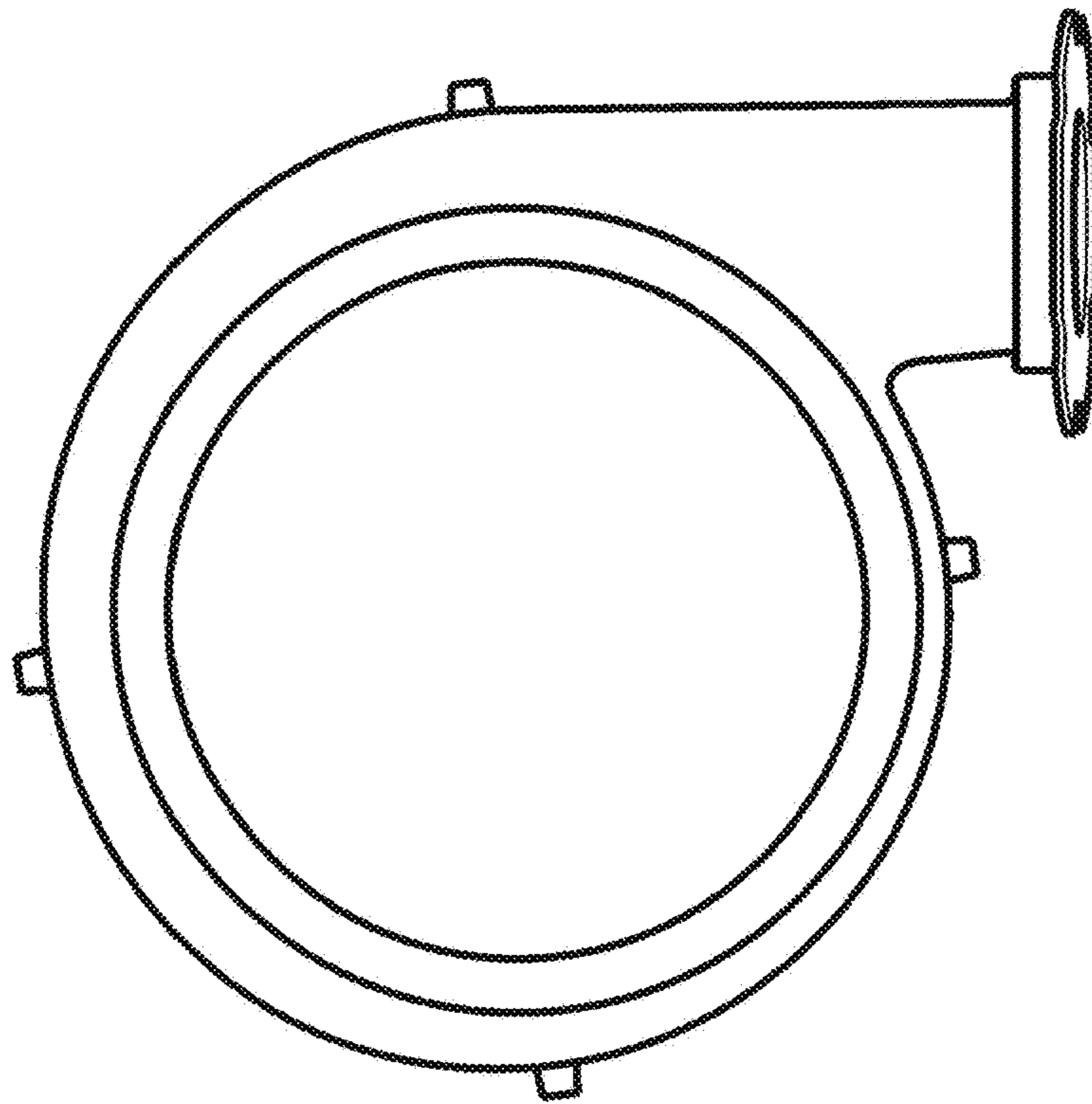


FIG. 2

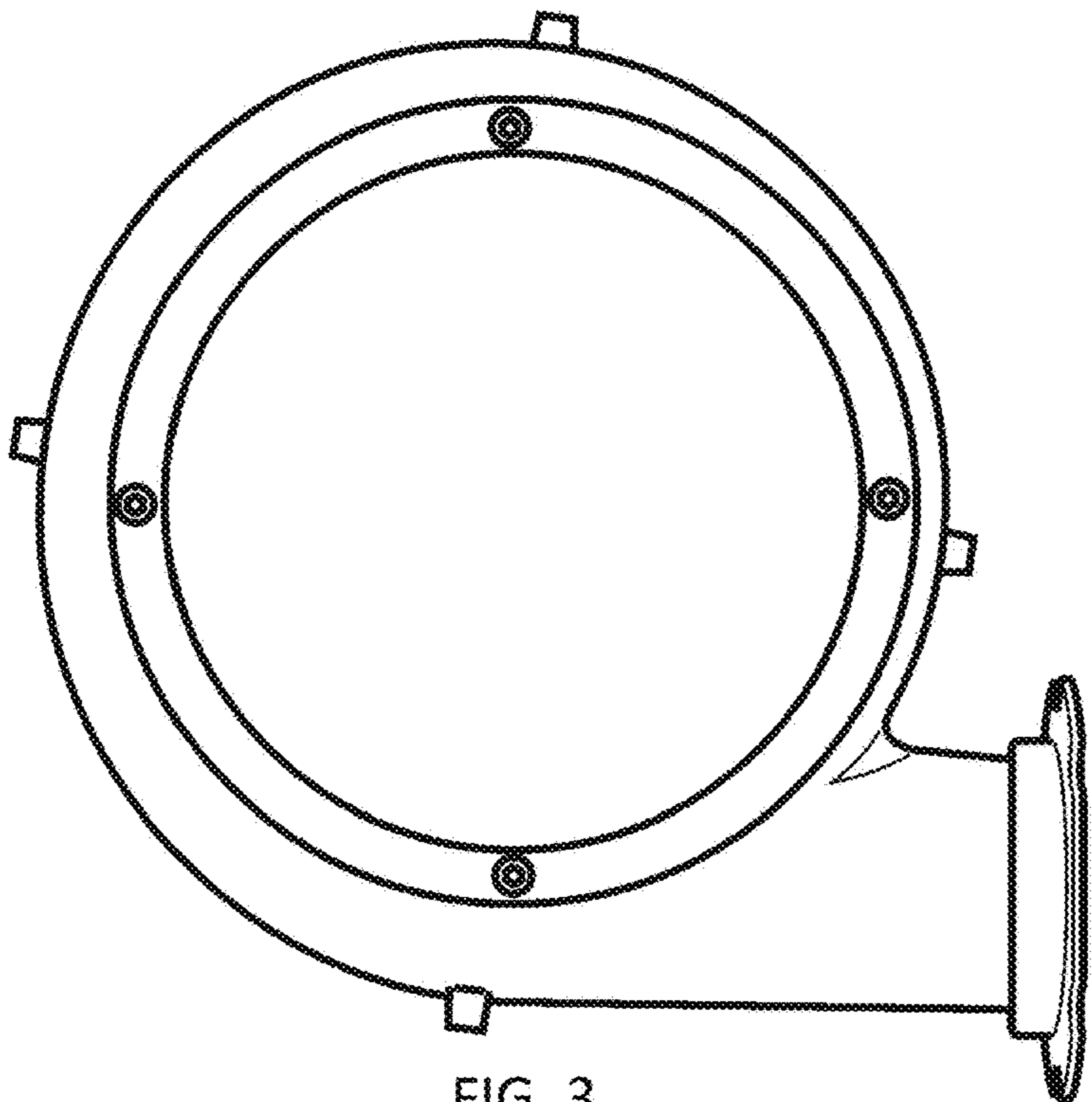


FIG. 3

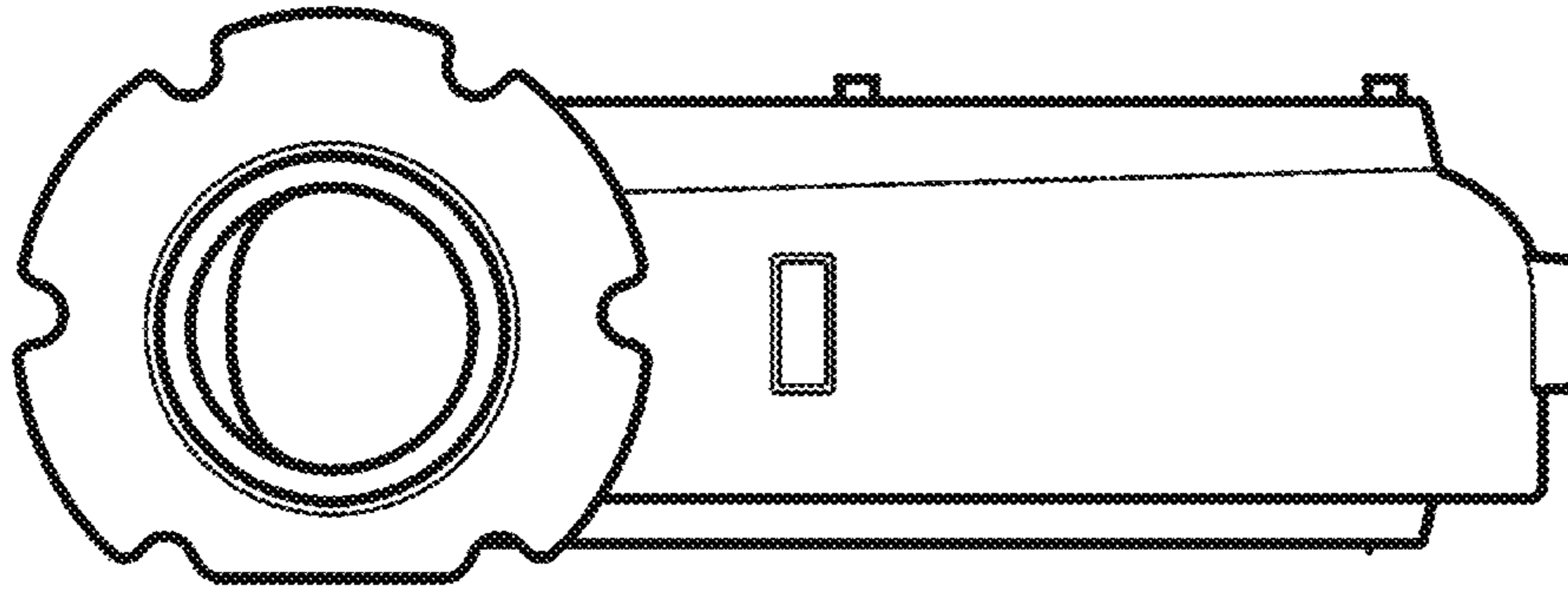


FIG. 4

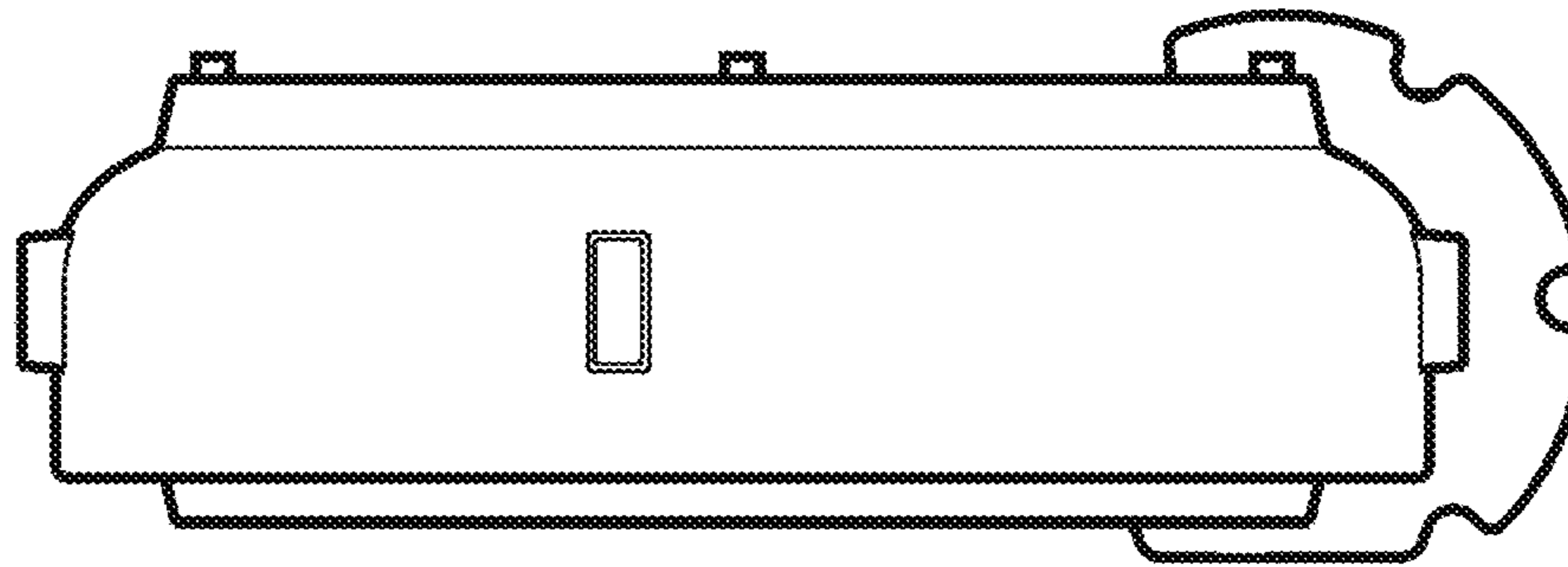


FIG. 5

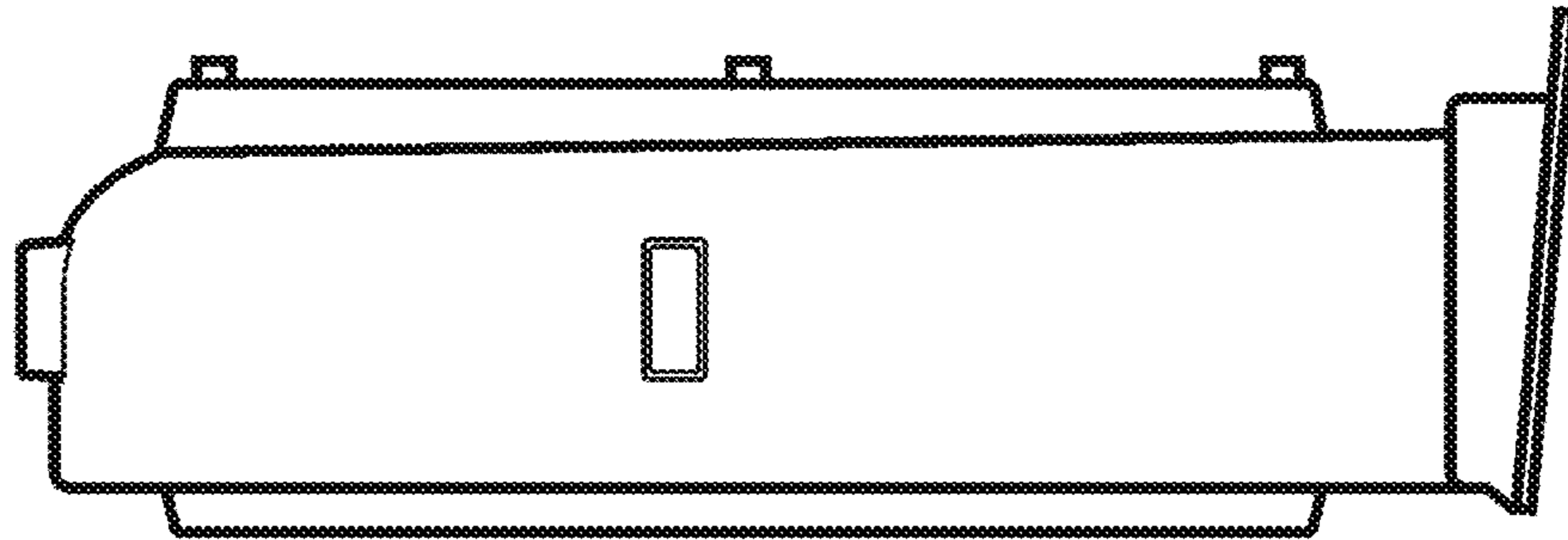


FIG. 6

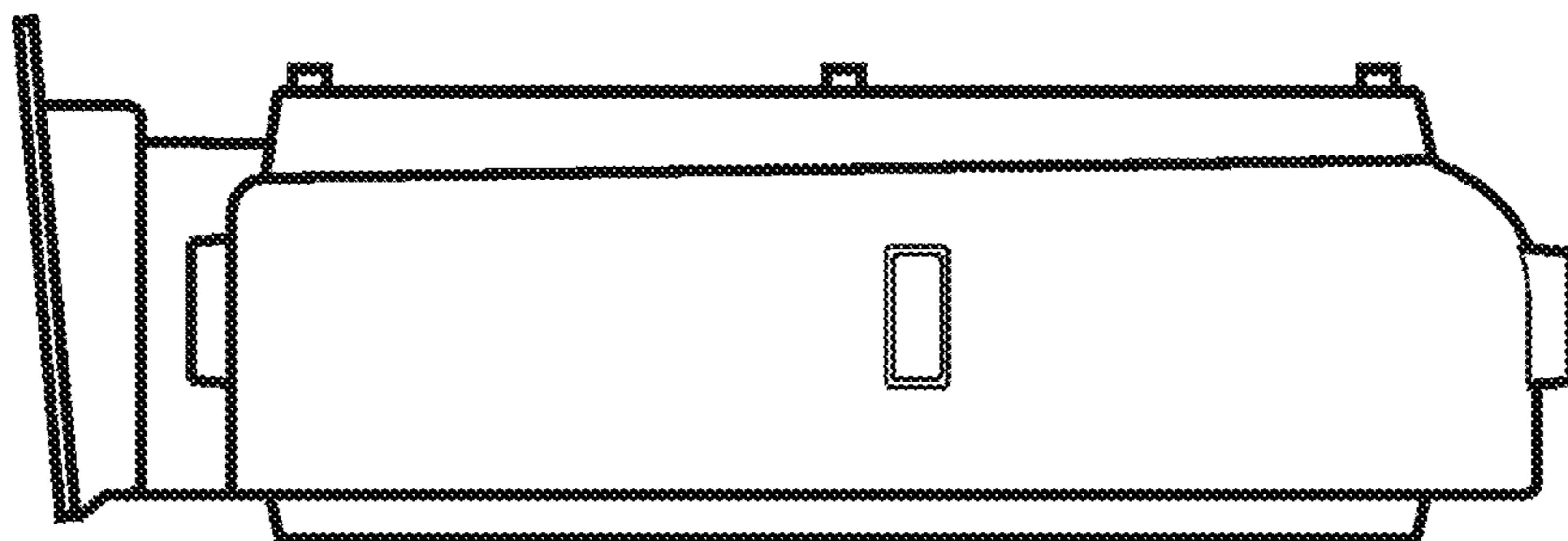


FIG. 7