



US00D836675S

(12) **United States Design Patent** (10) **Patent No.:** **US D836,675 S**
Lüke (45) **Date of Patent:** **** Dec. 25, 2018**

(54) **PUMP**

(71) Applicant: **OASE GmbH**, Hörstel-Riesenbeck (DE)

(72) Inventor: **Wilfried Lüke**, Schloß Holte-Stukenbrock (DE)

(73) Assignee: **OASE GmbH**, Hörstel-Riesenbeck (DE)

(**) Term: **15 Years**

(21) Appl. No.: **29/562,684**

(22) Filed: **Apr. 28, 2016**

(30) **Foreign Application Priority Data**

Oct. 28, 2015 (EM) 002840405-0003

(51) **LOC (11) Cl.** **15-02**

(52) **U.S. Cl.**
USPC **D15/7**

(58) **Field of Classification Search**
USPC D15/7-9; D23/231, 232, 225; 417/60, 417/235, 265, 321, 355, 358, 363, 359, 417/410.1, 415-416, 405, 900, 269, 539; 60/408, 412; 184/26-37; 415/140-147; 123/495, 509; 137/565.34
CPC F02M 37/04; F02M 37/14; F04B 53/92; F04B 1/005; F04D 13/06; F04D 29/22; F04D 29/046; F04D 29/2266
See application file for complete search history.

(56) **References Cited**

U.S. PATENT DOCUMENTS

D237,011 S * 9/1975 Stroberg D15/7
D340,724 S * 10/1993 Mariol D15/7

D395,317 S * 6/1998 Karlsson D15/7
D500,770 S * 1/2005 Pohler D15/7
D565,600 S * 4/2008 Tazioli D15/7
D590,420 S * 4/2009 Casalini D15/7
D689,908 S * 9/2013 Rogers D15/7
D700,213 S * 2/2014 Taniguchi D15/7
D700,214 S * 2/2014 Taniguchi D15/7
D708,648 S * 7/2014 Orsini D15/7
D740,329 S * 10/2015 Gilbert D15/7
D793,454 S * 8/2017 Perez D15/7
D800,791 S * 10/2017 Pin, III D15/7
D803,894 S * 11/2017 Kennedy D15/7
D809,020 S * 1/2018 Luke D15/7
D809,021 S * 1/2018 Luke D15/7
D809,022 S * 1/2018 Luke D15/7
D809,567 S * 2/2018 Luke D15/7
D813,275 S * 3/2018 Luke D15/7
D817,361 S * 5/2018 Weber D15/7

* cited by examiner

Primary Examiner — Ralf Seifert

(74) *Attorney, Agent, or Firm* — Gudrun E. Hockett

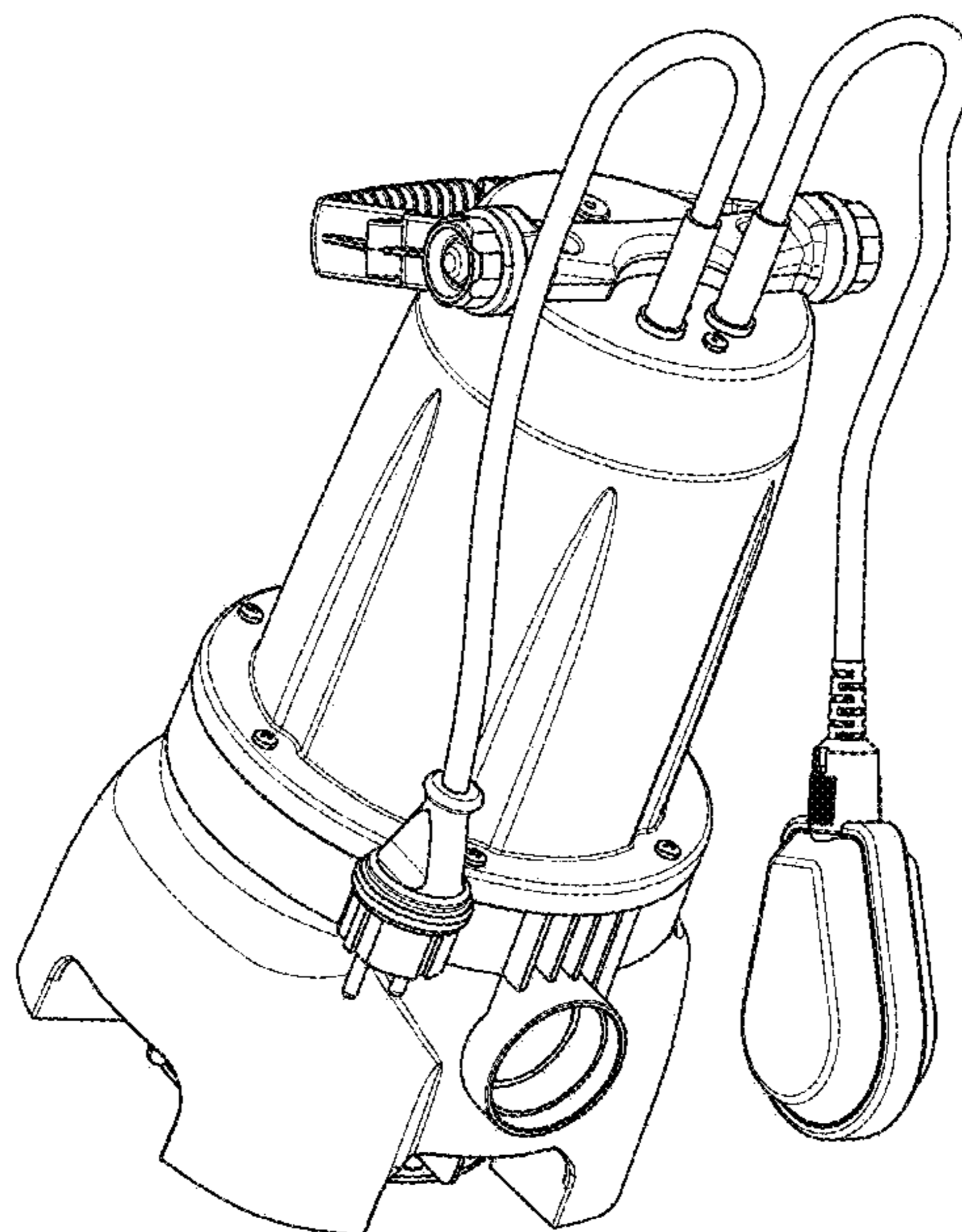
(57) **CLAIM**

The ornamental design for a pump, as shown and described.

DESCRIPTION

FIG. 1 is a perspective rear view of a pump showing my new design;
FIG. 2 is a top plan view thereof;
FIG. 3 is a bottom plan view thereof;
FIG. 4 is a rear elevational view thereof;
FIG. 5 is a front elevational view thereof;
FIG. 6 is a left elevational view thereof; and,
FIG. 7 is a right elevational view thereof.
The broken lines are included for the purpose of illustrating portions of the pump that form no part of the claimed design.

1 Claim, 7 Drawing Sheets



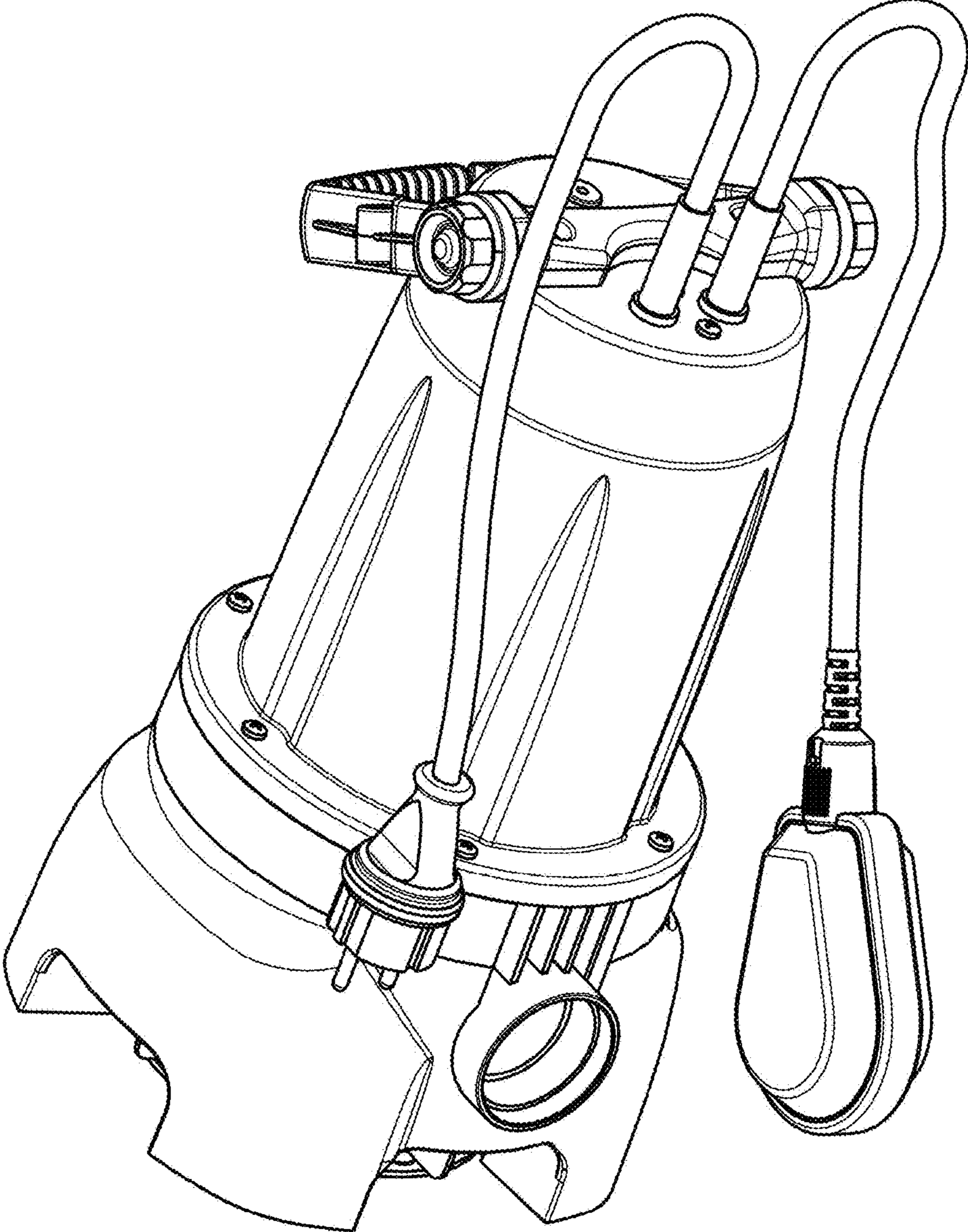


Fig. 1

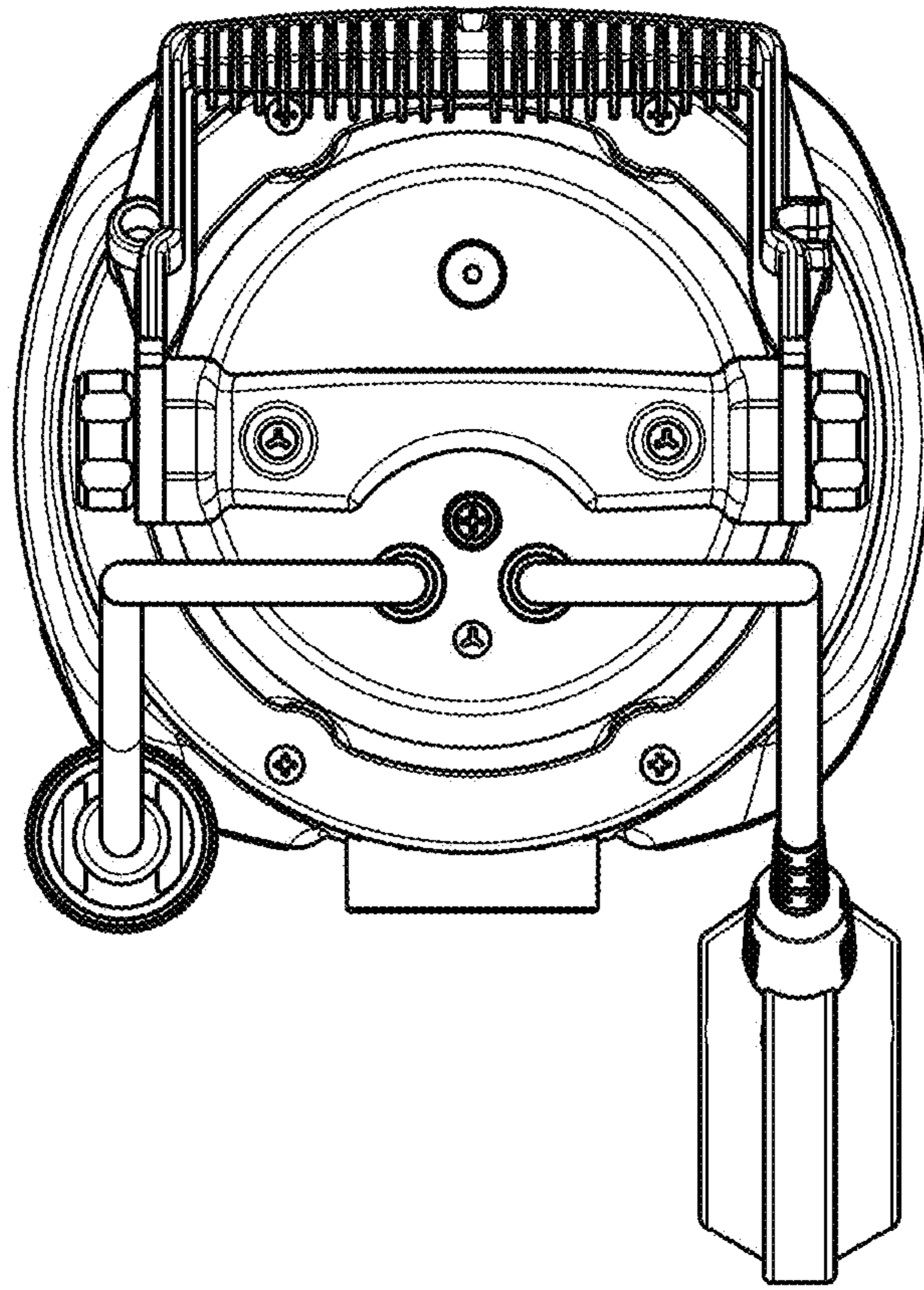


Fig. 2

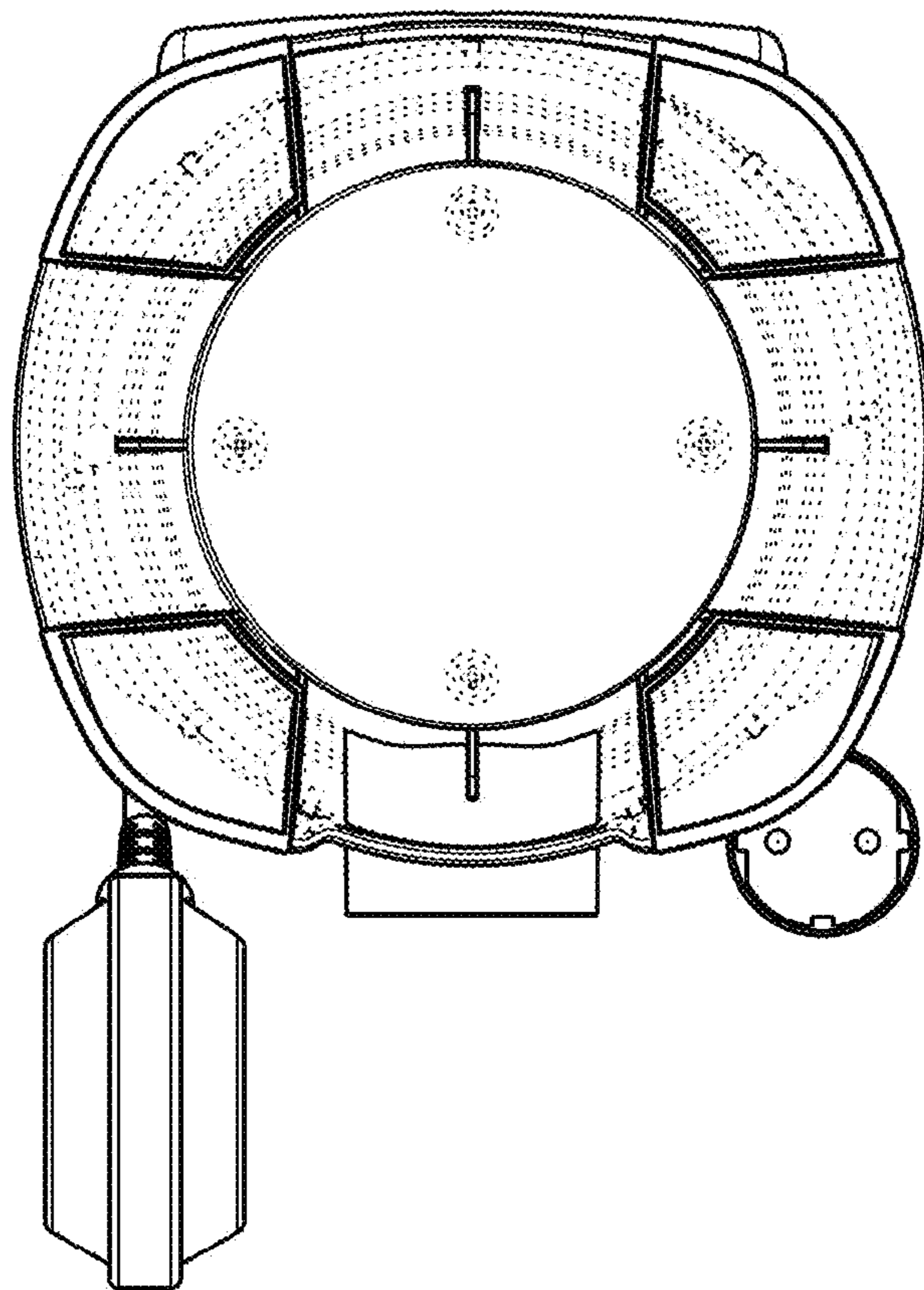


Fig. 3

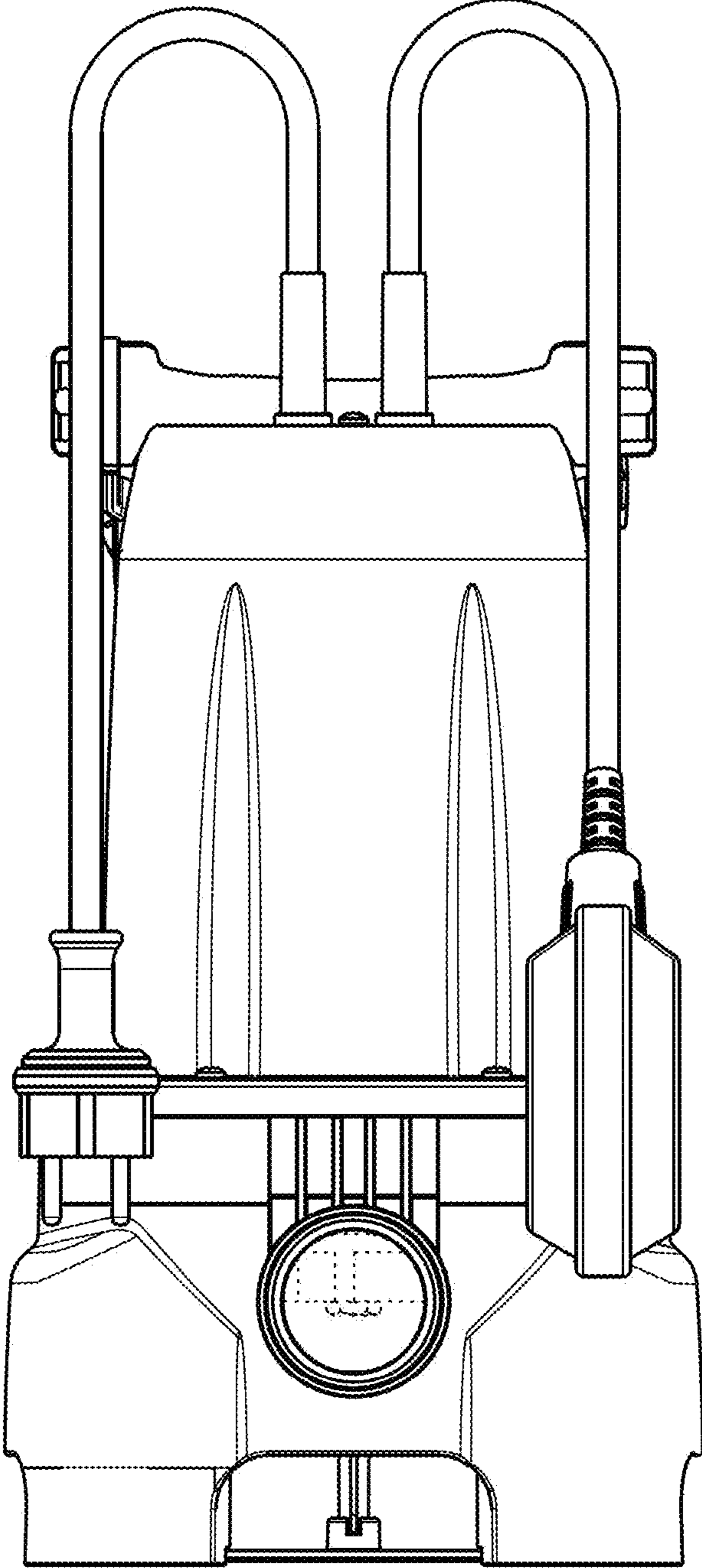


Fig. 4

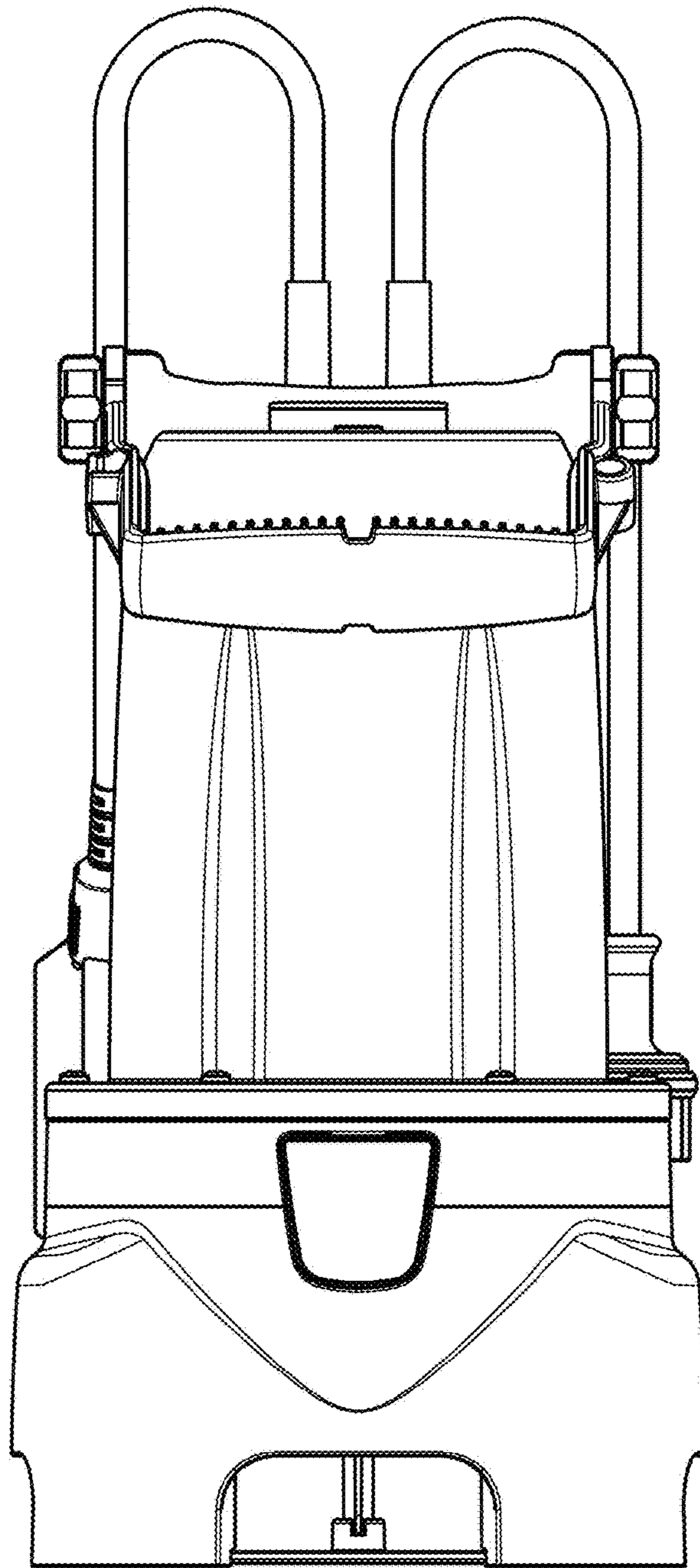


Fig. 5

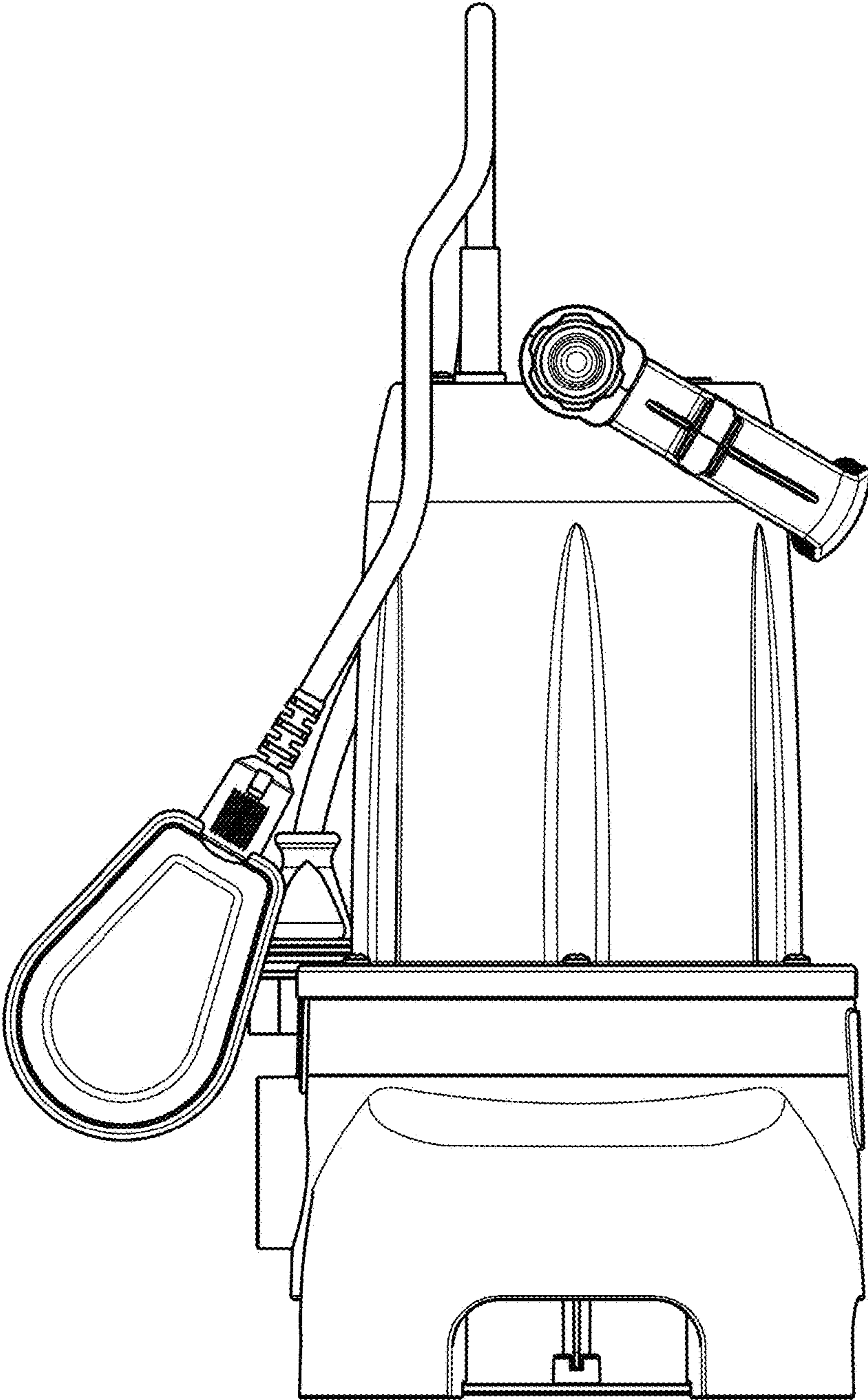


Fig. 6

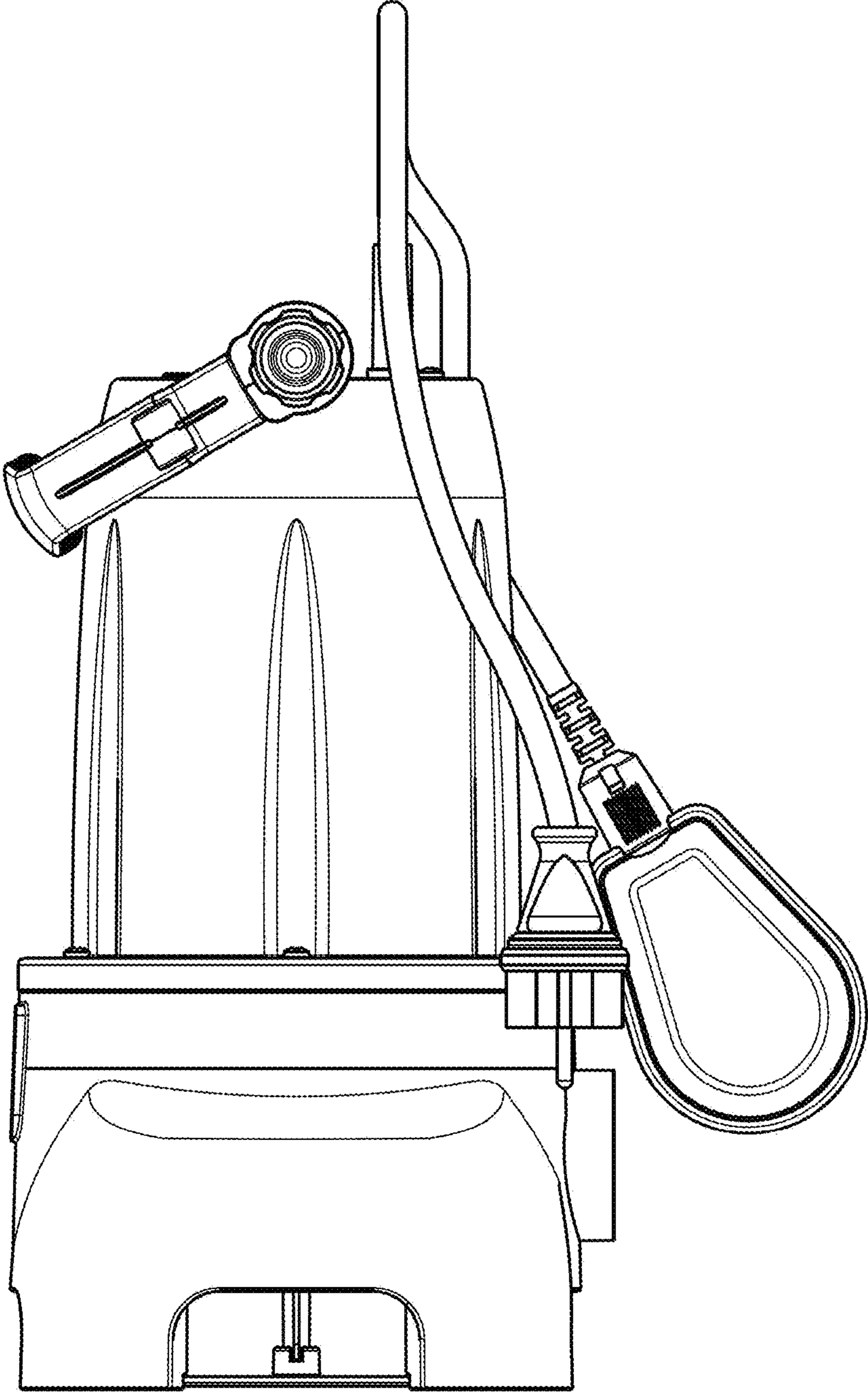


Fig. 7