

US00D836660S

(12) **United States Design Patent** (10) **Patent No.:** **US D836,660 S**
Woo (45) **Date of Patent:** **** Dec. 25, 2018**

(54) **DISPLAY SCREEN OR PORTION THEREOF WITH GRAPHICAL USER INTERFACE**

(71) Applicant: **Samsung Electronics Co., Ltd.**, Suwon-si (KR)

(72) Inventor: **Jiyoung Woo**, Bucheon-si (KR)

(73) Assignee: **Samsung Electronics Co., Ltd.**, Suwon-si (KR)

(**) Term: **15 Years**

(21) Appl. No.: **29/599,385**

(22) Filed: **Apr. 3, 2017**

(30) **Foreign Application Priority Data**

Dec. 28, 2016 (KR) 30-2016-0064023

(51) **LOC (11) Cl.** **14-04**

(52) **U.S. Cl.**
USPC **D14/486**

(58) **Field of Classification Search**
USPC D14/485, 486, 487, 488; D20/11
CPC G06F 3/048; G06F 3/0481; G06F 3/04812;
G06F 3/04815; G06F 3/0482; G06F
3/0487

See application file for complete search history.

(56) **References Cited**

U.S. PATENT DOCUMENTS

D467,937 S *	12/2002	Grundel	D14/488
D697,076 S *	1/2014	Oda	D14/486
D700,198 S *	2/2014	Akcasu	D14/486
D760,739 S *	7/2016	Jung	D14/485
D767,603 S *	9/2016	Yun	D14/486
D779,530 S *	2/2017	Robinson	D14/486
D797,772 S *	9/2017	Mizono	H04L 12/2807
				D14/486
D803,251 S *	11/2017	Eriksson	D14/486

D803,252 S *	11/2017	Eriksson	D14/486
D806,097 S *	12/2017	Rahn	D14/486
D806,098 S *	12/2017	Rahn	D14/486
D806,099 S *	12/2017	Rahn	D14/486
D806,737 S *	1/2018	Chung	D14/486
D808,994 S *	1/2018	Mangold	D14/486
D809,550 S *	2/2018	Bray	D14/486
D811,425 S *	2/2018	Olsen	D14/486
D811,427 S *	2/2018	Hong	D14/486
D812,079 S *	3/2018	Felt	D14/486
D812,630 S *	3/2018	Yuguchi	D14/486
D814,508 S *	4/2018	Holl	D14/488
D815,656 S *	4/2018	Price	D14/486

(Continued)

FOREIGN PATENT DOCUMENTS

CN	201530123434	11/2015
EM	002597963-0008	2/2015
EM	002703975-0006	6/2015

Primary Examiner — Melanie H Tung

(74) *Attorney, Agent, or Firm* — NSIP Law

(57) **CLAIM**

I claim the ornamental design for a display screen or portion thereof with graphical user interface, as shown and described.

DESCRIPTION

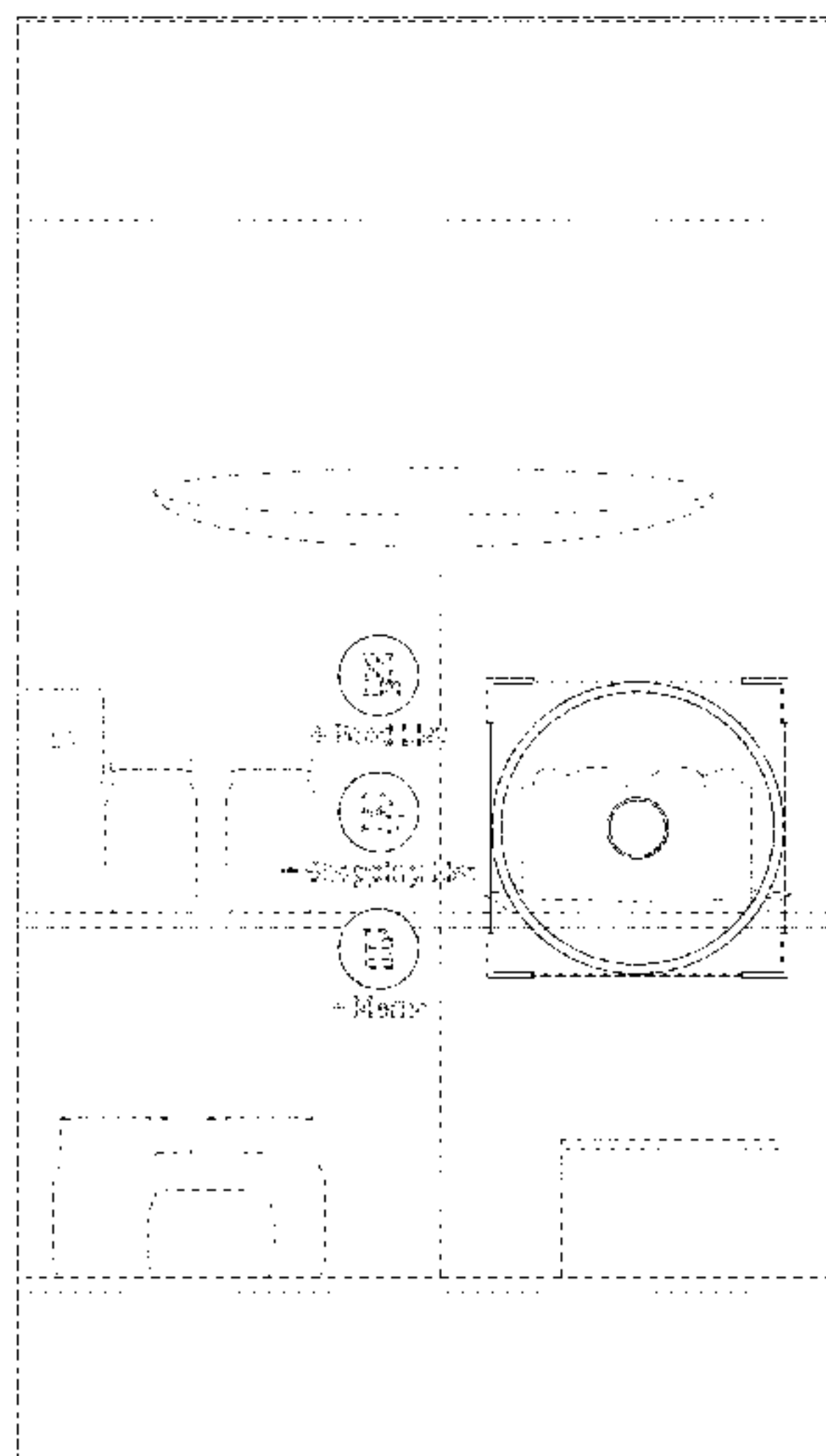
FIG. 1 is a front view of the first embodiment of a display screen or portion thereof with graphical user interface showing my new design;

FIG. 2 is a front view of the second embodiment thereof; and,

FIG. 3 is a front view of the third embodiment thereof.

The evenly spaced dash-dash broken lines in the figures show portions of the graphical user interface that form no part of the claimed design. The dot-dash broken line in the figures show the display screen or portion thereof and forms no part of the claimed design.

1 Claim, 3 Drawing Sheets



(56)

References Cited

U.S. PATENT DOCUMENTS

2009/0187860 A1* 7/2009 Fleck G06F 3/0482
715/834
2010/0299637 A1* 11/2010 Chmielewski G06F 3/0482
715/834
2016/0342302 A1* 11/2016 Wang G06F 3/0414

* cited by examiner

FIG. 1

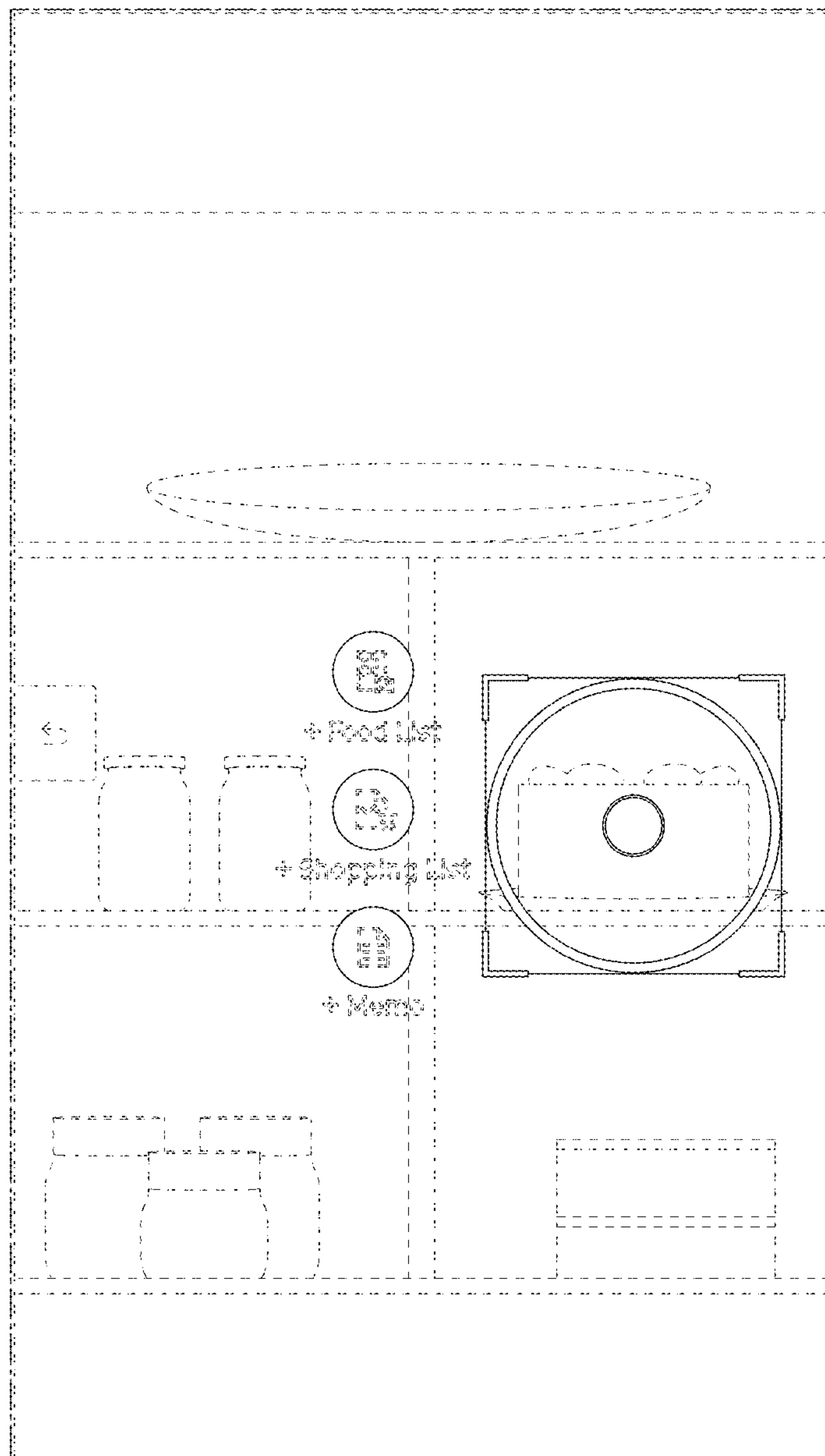


FIG. 2

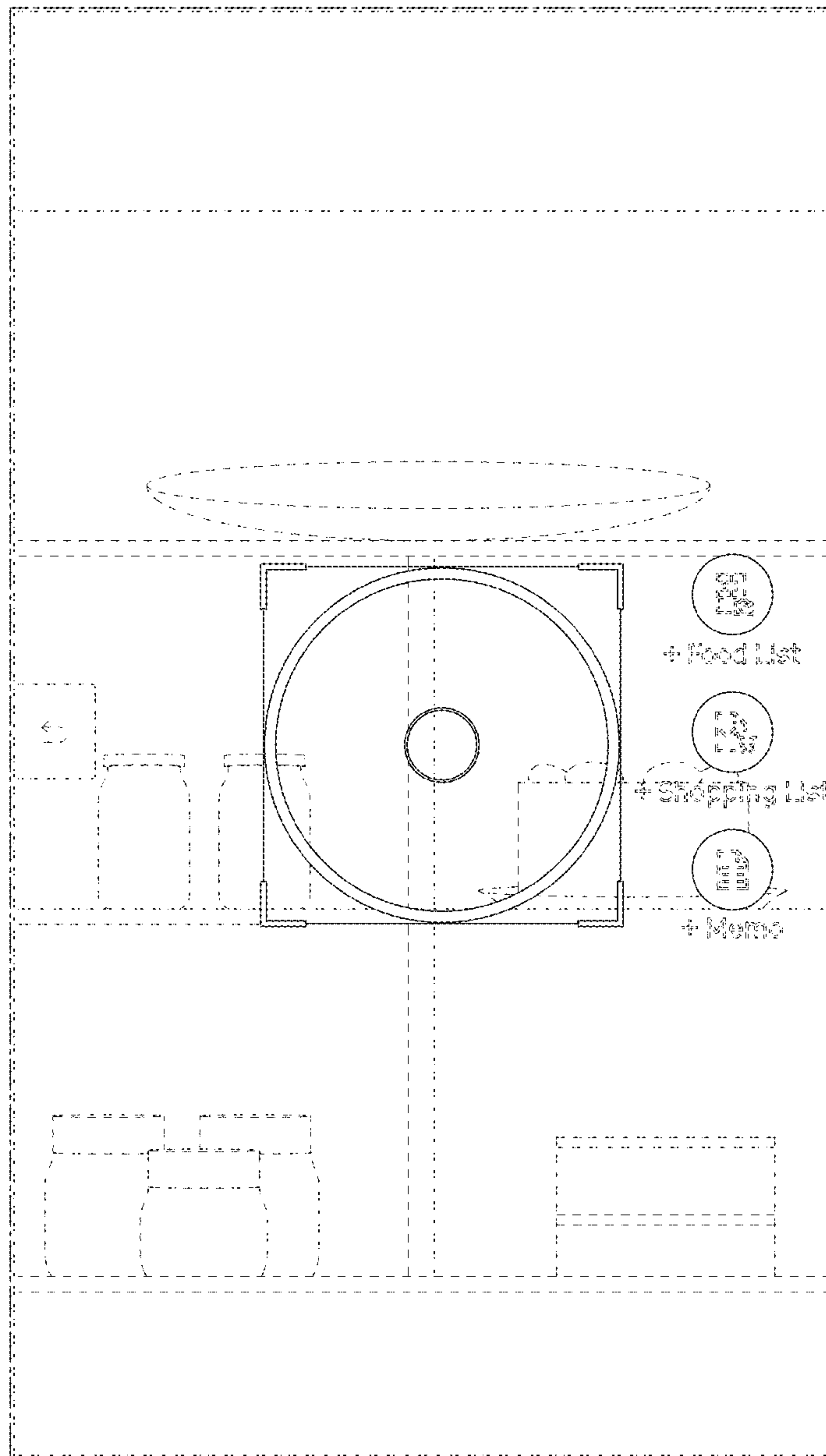


FIG. 3

