



US00D836647S

(12) **United States Design Patent** (10) **Patent No.:** **US D836,647 S**  
**Wei** (45) **Date of Patent:** **\*\* Dec. 25, 2018**

(54) **RECORDING MEDIUM**  
(71) Applicant: **Toshiba Memory Corporation**, Tokyo (JP)  
(72) Inventor: **Chang Shian Wei**, Kawasaki (JP)  
(73) Assignee: **Toshiba Memory Corporation**, Tokyo (JP)  
(\*\*) Term: **15 Years**  
(21) Appl. No.: **29/623,675**  
(22) Filed: **Oct. 26, 2017**

D769,882 S \* 10/2016 Hair ..... D14/480.1  
D771,636 S \* 11/2016 Shim ..... D14/480.1  
D783,629 S \* 4/2017 Shim ..... D14/480.1  
D785,001 S \* 4/2017 Shim ..... D14/480.1  
D798,308 S \* 9/2017 Tzeng ..... D14/480.5

**FOREIGN PATENT DOCUMENTS**

CN D302467844 6/2013  
CN D303297950 7/2015  
CN D303439256 11/2015  
JP D1523679 5/2015  
KR 30-0481381 2/2008  
KR 30-0494639 6/2008  
KR 30-0494640 6/2008  
KR 30-0549168 12/2009

\* cited by examiner

(30) **Foreign Application Priority Data**  
Apr. 27, 2017 (JP) ..... 2017-009298  
(51) **LOC (11) Cl.** ..... **14-03**  
(52) **U.S. Cl.**  
USPC ..... **D14/480.7**  
(58) **Field of Classification Search**  
USPC ..... D14/435.1, 480.1-480.7, 411, 433, 436,  
D14/484.1, 137, 155, 203.1-203.8, 240,  
D14/242, 133, 154  
CPC ..... H05K 5/0278; G06K 19/07732  
See application file for complete search history.

*Primary Examiner* — Angela J Lee

(74) *Attorney, Agent, or Firm* — Banner & Witcoff, Ltd.

(57) **CLAIM**

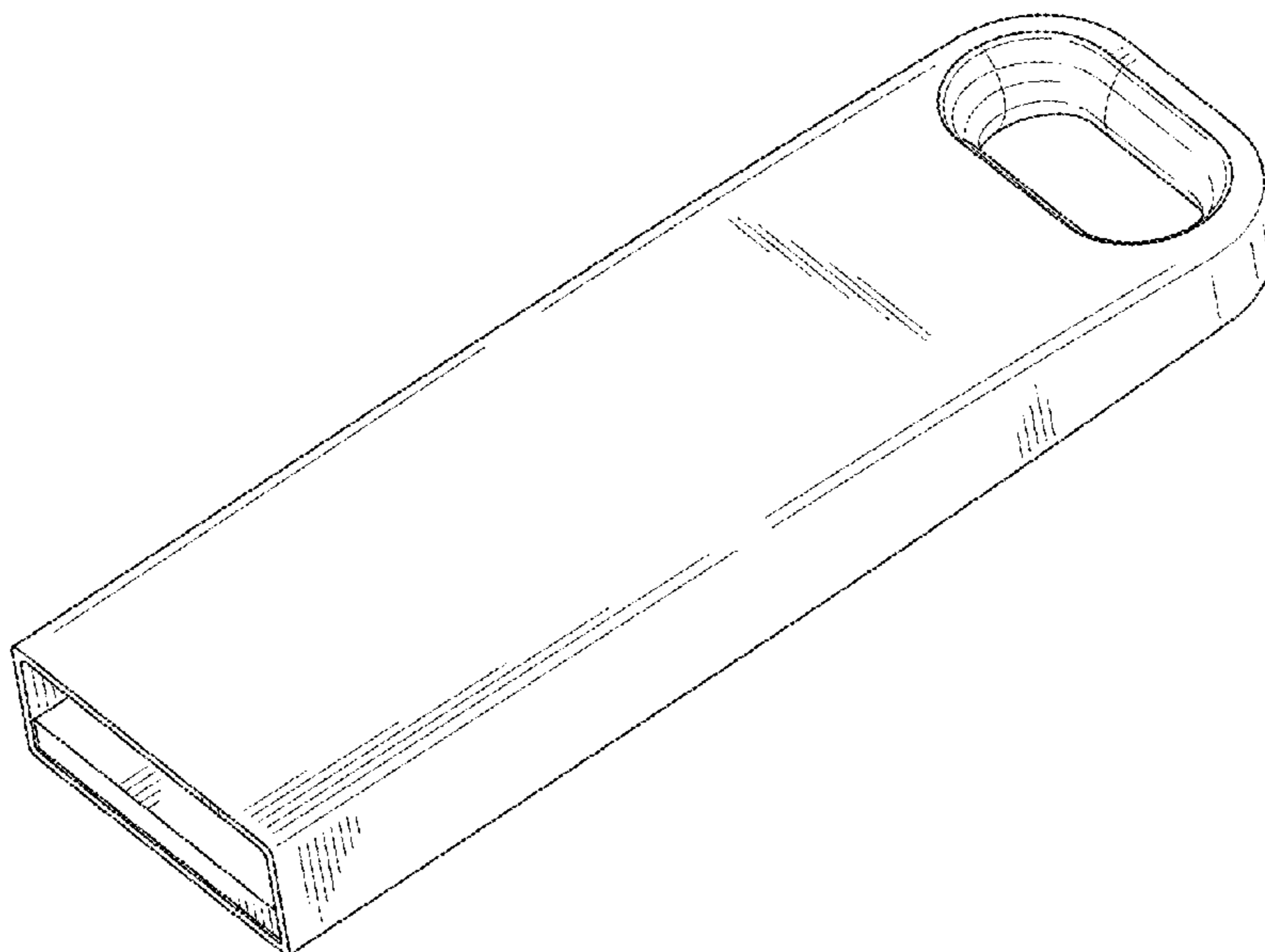
The ornamental design for a recording medium, as shown and described.

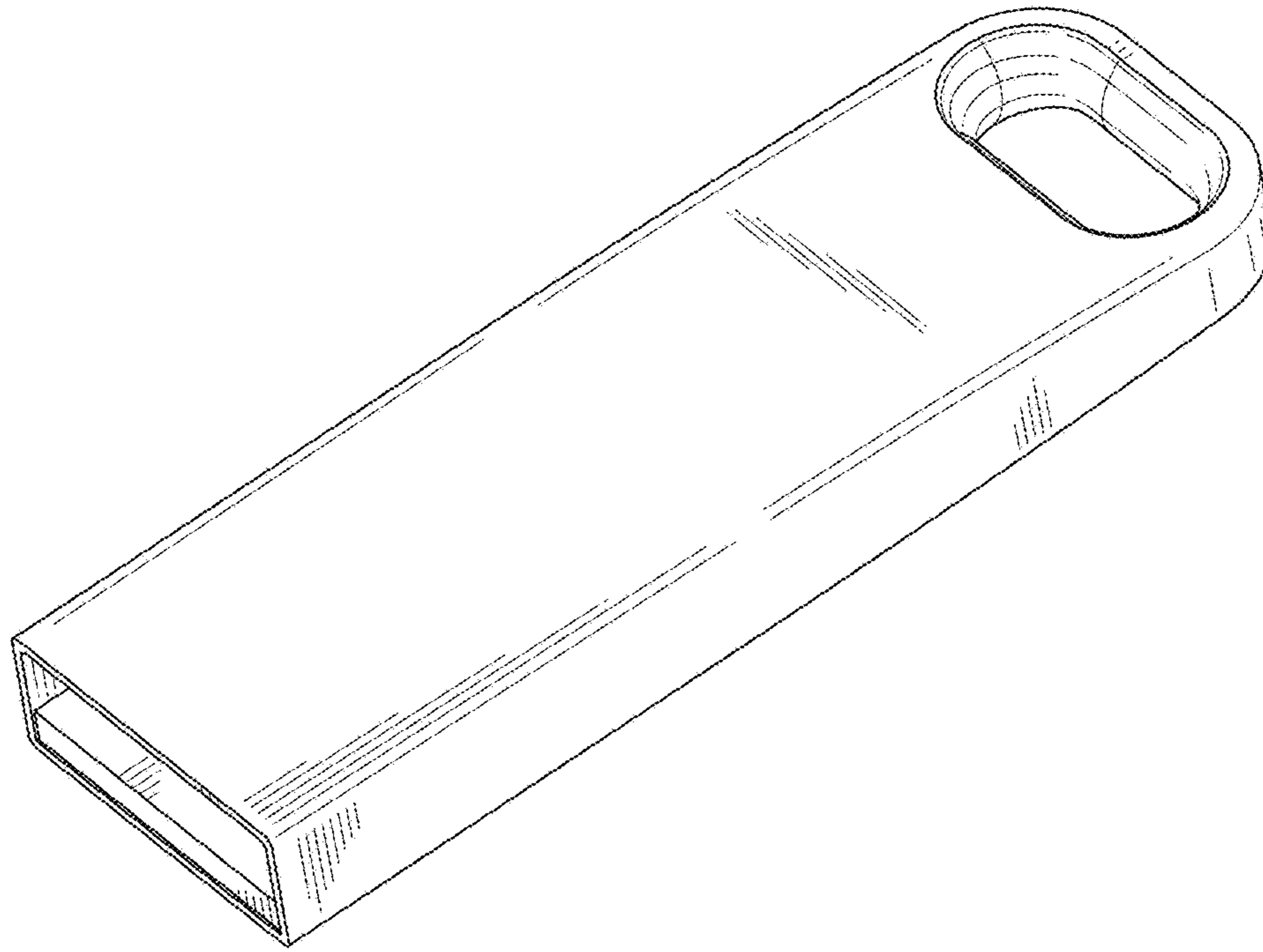
**DESCRIPTION**

FIG. 1 is a front, bottom and right side perspective view of a recording medium, showing my new design;  
FIG. 2 is a rear, top and left side perspective view thereof;  
FIG. 3 is a front view thereof, the rear being symmetrical;  
FIG. 4 is a right side view thereof, the left side being symmetrical;  
FIG. 5 is a top view thereof;  
FIG. 6 is a bottom view thereof, and;  
FIG. 7 is a cross sectional view thereof, taken along the line 7-7 in FIG. 3.  
The broken lines showing the remainder thereof are for environmental purposes only and form no part of the claimed design.

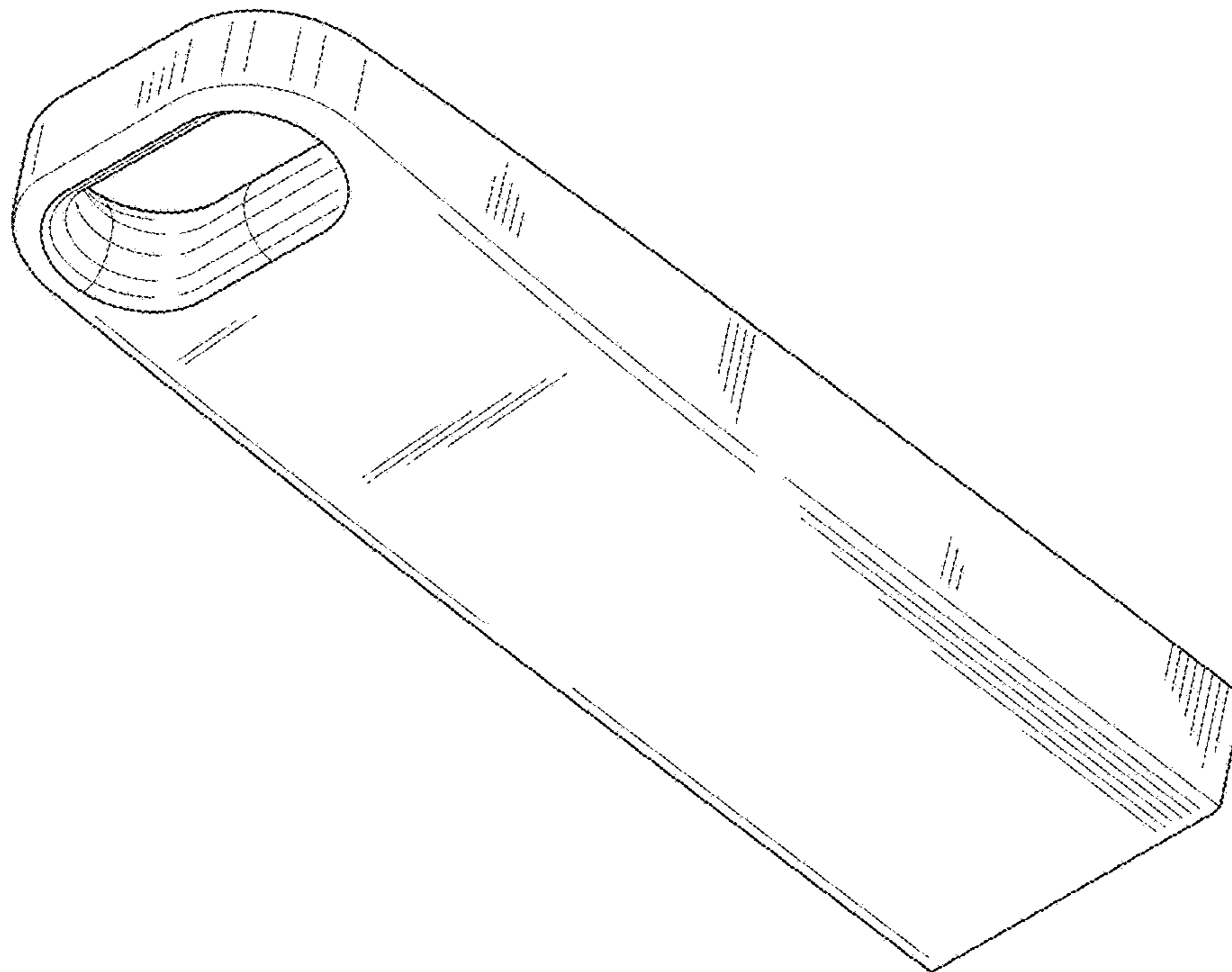
(56) **References Cited**  
**U.S. PATENT DOCUMENTS**  
D513,005 S \* 12/2005 Kobayakawa ..... D14/480.1  
D631,053 S \* 1/2011 Bailey ..... D10/70  
D670,711 S \* 11/2012 Ma ..... D14/480.1  
D706,277 S \* 6/2014 Fukuoka ..... D14/480.1  
D724,600 S \* 3/2015 Hsieh ..... D14/480.1  
D745,874 S \* 12/2015 Huang ..... D14/480.1  
D754,138 S \* 4/2016 Otsuka et al.  
D759,028 S \* 6/2016 Emami ..... D14/480.1

**1 Claim, 4 Drawing Sheets**

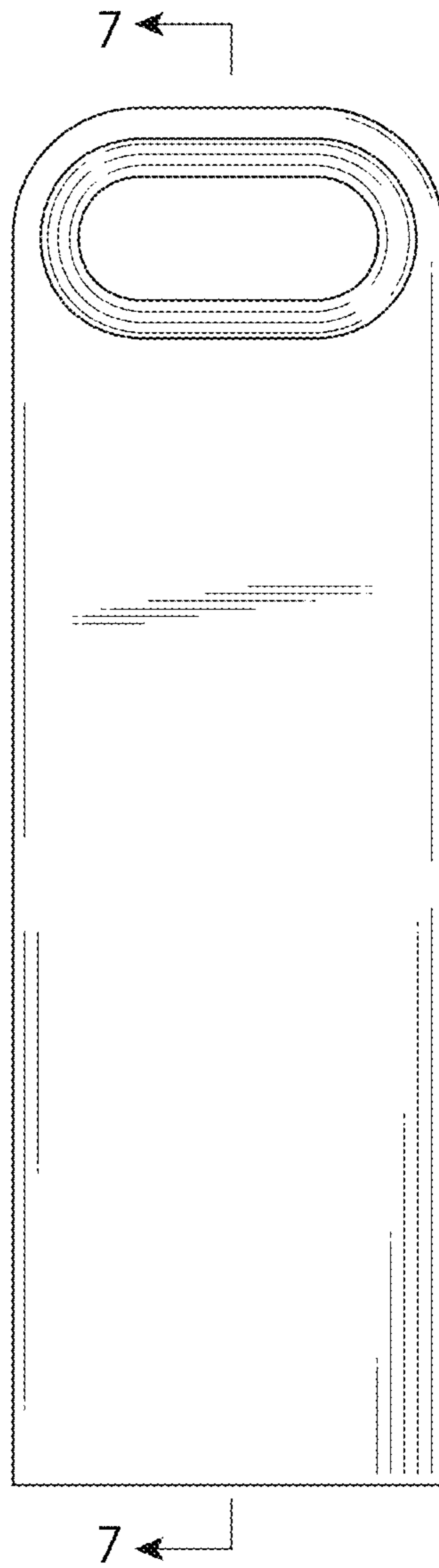




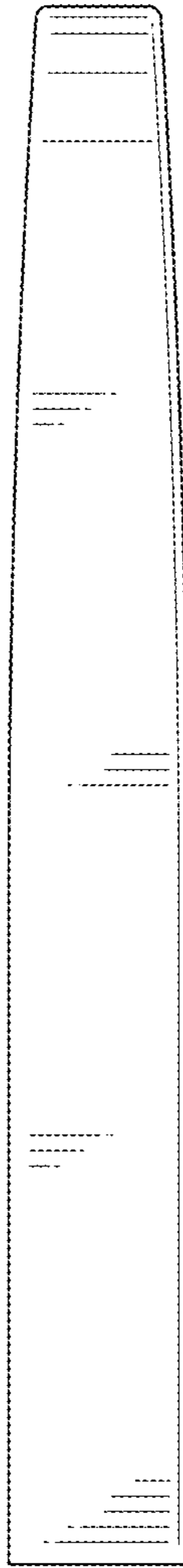
*Fig. 1*



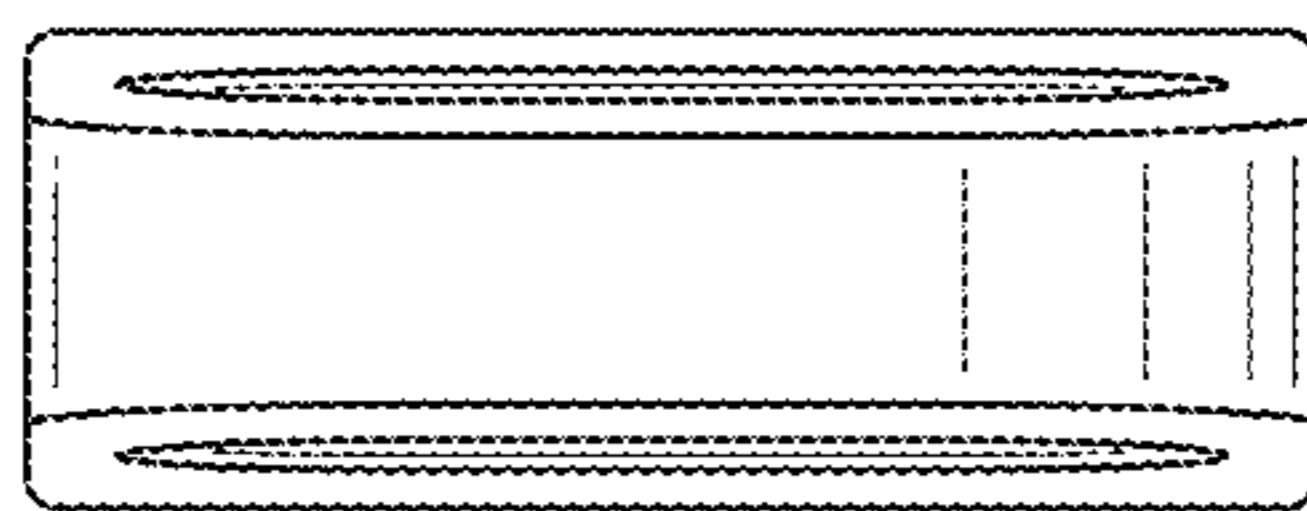
*Fig. 2*



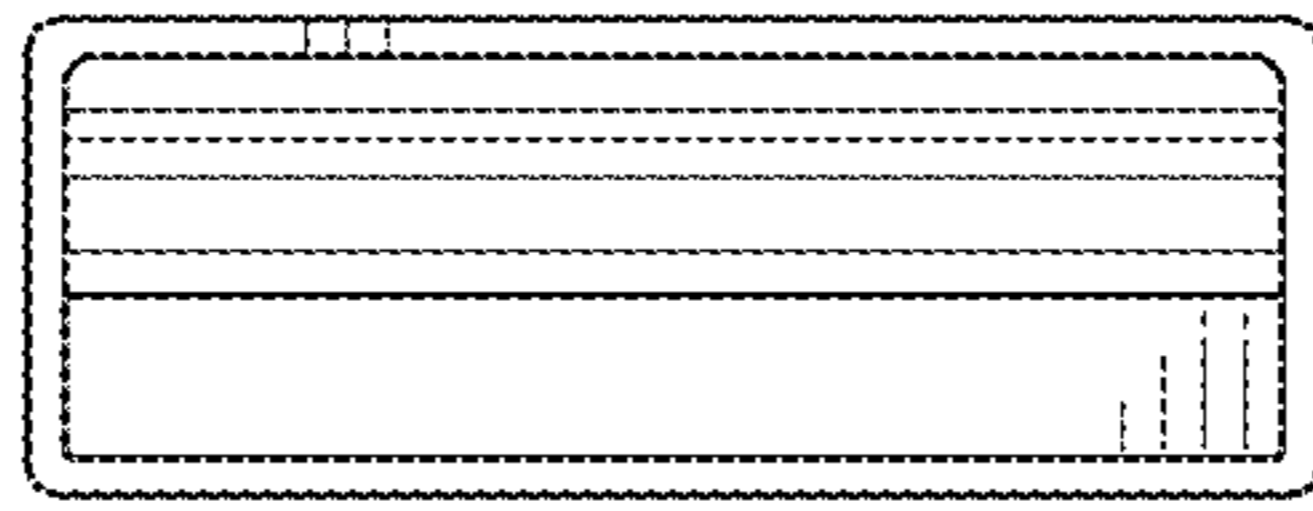
*Fig.3*



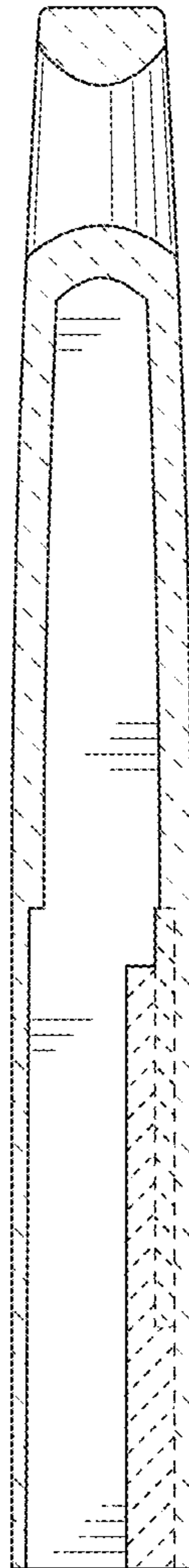
*Fig. 4*



*Fig. 5*



*Fig. 6*



*Fig. 7*