



US00D836645S

(12) **United States Design Patent** (10) **Patent No.:** **US D836,645 S**  
**Zhou** (45) **Date of Patent:** **\*\* Dec. 25, 2018**

(54) **ALL-IN-ONE COMPUTER**

(71) Applicant: **LENOVO (BEIJING) CO., LTD.**,  
Beijing (CN)

(72) Inventor: **Ying Zhou**, Beijing (CN)

(73) Assignee: **Lenovo (Beijing) Co., Ltd.**, Beijing  
(CN)

(\*\*) Term: **15 Years**

(21) Appl. No.: **29/559,637**

(22) Filed: **Mar. 30, 2016**

(30) **Foreign Application Priority Data**

Jan. 7, 2016 (CN) ..... 2016 3 0004818

(51) **LOC (11) Cl.** ..... **14-02**

(52) **U.S. Cl.**  
USPC ..... **D14/451**

(58) **Field of Classification Search**  
USPC ..... D14/447-452, 336, 341, 371, 373, 374,  
D14/375, 376, 377, 126, 127, 128, 129;  
D13/108  
CPC .... F16M 11/105; F16M 11/10; F16M 11/048;  
F16M 11/12; F16M 13/022  
See application file for complete search history.

(56) **References Cited**

**U.S. PATENT DOCUMENTS**

D369,163 S *	4/1996	Leung	.....	D14/150
D385,252 S *	10/1997	Snyder	.....	D13/108
D626,558 S *	11/2010	Julien	.....	D13/108
D648,325 S *	11/2011	Akana	.....	D14/217
D659,092 S *	5/2012	Kawano	.....	D13/108
D666,204 S *	8/2012	Han	.....	D14/447
D693,826 S *	11/2013	Ashida	.....	D14/447
D703,215 S *	4/2014	Alesi	.....	D14/447
D706,784 S *	6/2014	Mills	.....	D14/447

D714,297 S *	9/2014	Poulsen	.....	D14/447
D714,807 S *	10/2014	Pulver	.....	D14/447
D749,082 S *	2/2016	Jung	.....	D14/451
D761,799 S *	7/2016	Miniard	.....	D14/447

**FOREIGN PATENT DOCUMENTS**

WO	D091137-001	*	7/2016
WO	D091137-002	*	7/2016
WO	D091137-003	*	7/2016

\* cited by examiner

*Primary Examiner* — Bridget L Eland

*Assistant Examiner* — Lauren McVey

(74) *Attorney, Agent, or Firm* — Oppedahl Patent Law Firm LLC

(57) **CLAIM**

The ornamental design for an all-in-one computer, as shown and described.

**DESCRIPTION**

FIG. 1 is a front perspective view of an all-in-one computer, showing my new design;  
 FIG. 2 is a front view thereof;  
 FIG. 3 is a left side view thereof;  
 FIG. 4 is a back perspective view thereof;  
 FIG. 5 is an enlarged view of the encircled area shown in FIG. 2;  
 FIG. 6 is an enlarged view of the encircled area shown in FIG. 3;  
 FIG. 7 is a rear view thereof; and,  
 FIG. 8 is a bottom view thereof.

The evenly spaced broken lines immediately adjacent to the claim represent the bounds of the claimed design, while all other evenly spaced broken lines are directed to environment; the broken lines form no part of the claimed design. In addition, the dot-dash broken lines encircling portions of FIGS. 2 and 3 are for the purpose of illustrating a partially enlarged view and form no part of the claimed design.

**1 Claim, 7 Drawing Sheets**

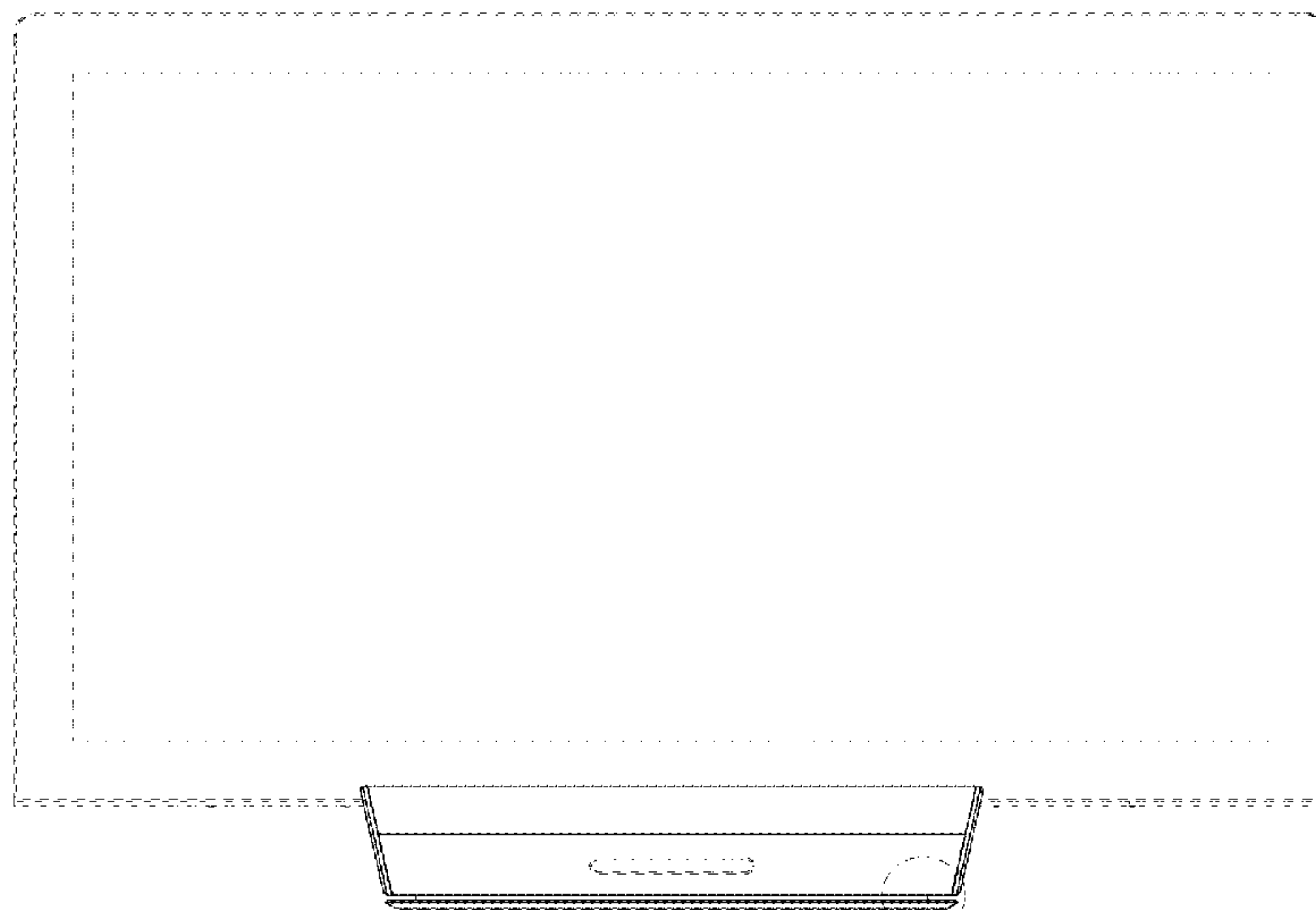


Fig. 5

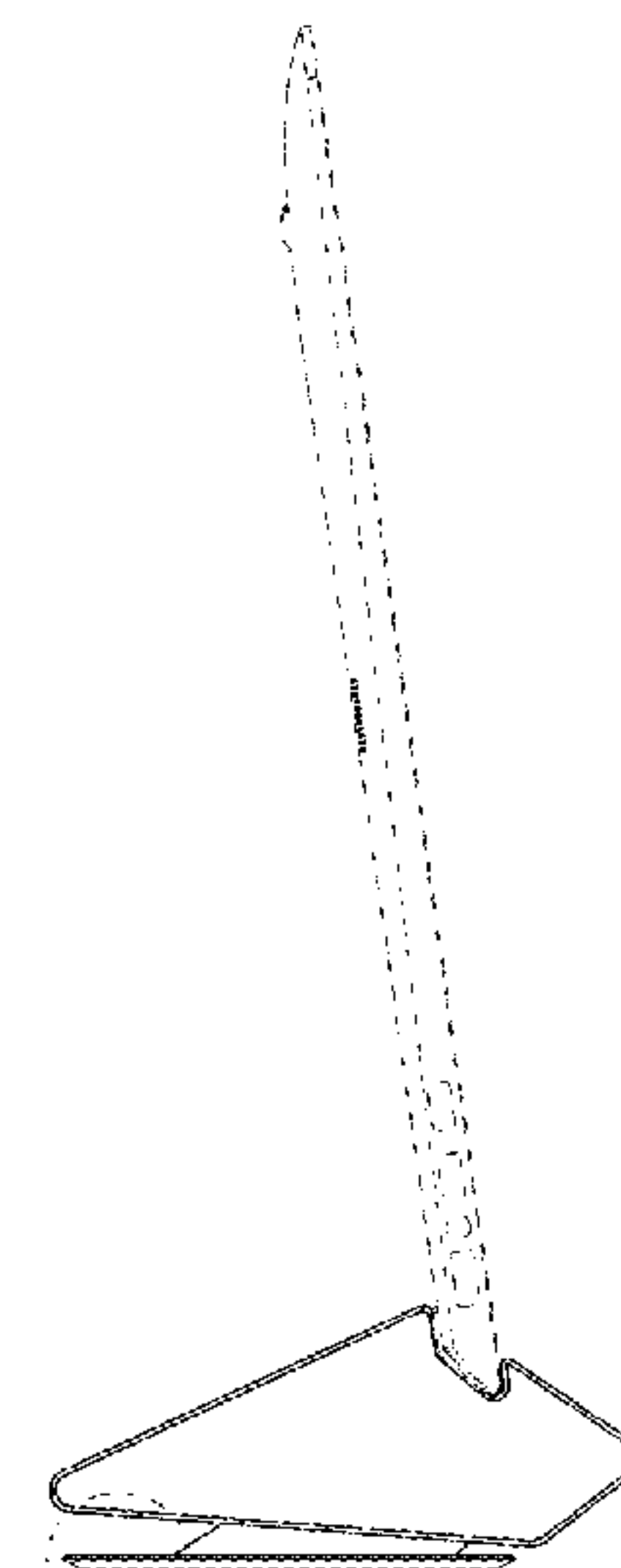


Fig. 6

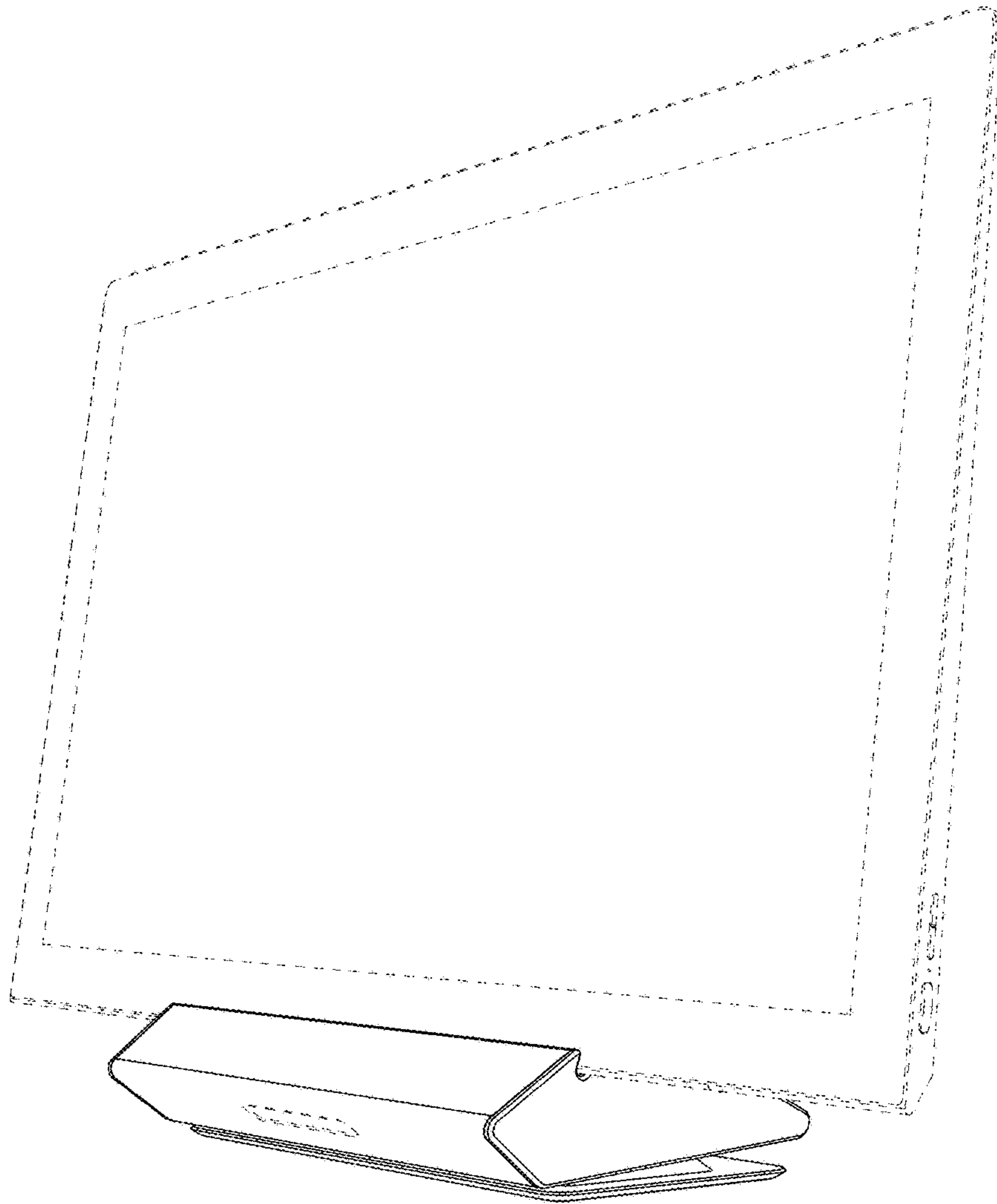


Fig. 1

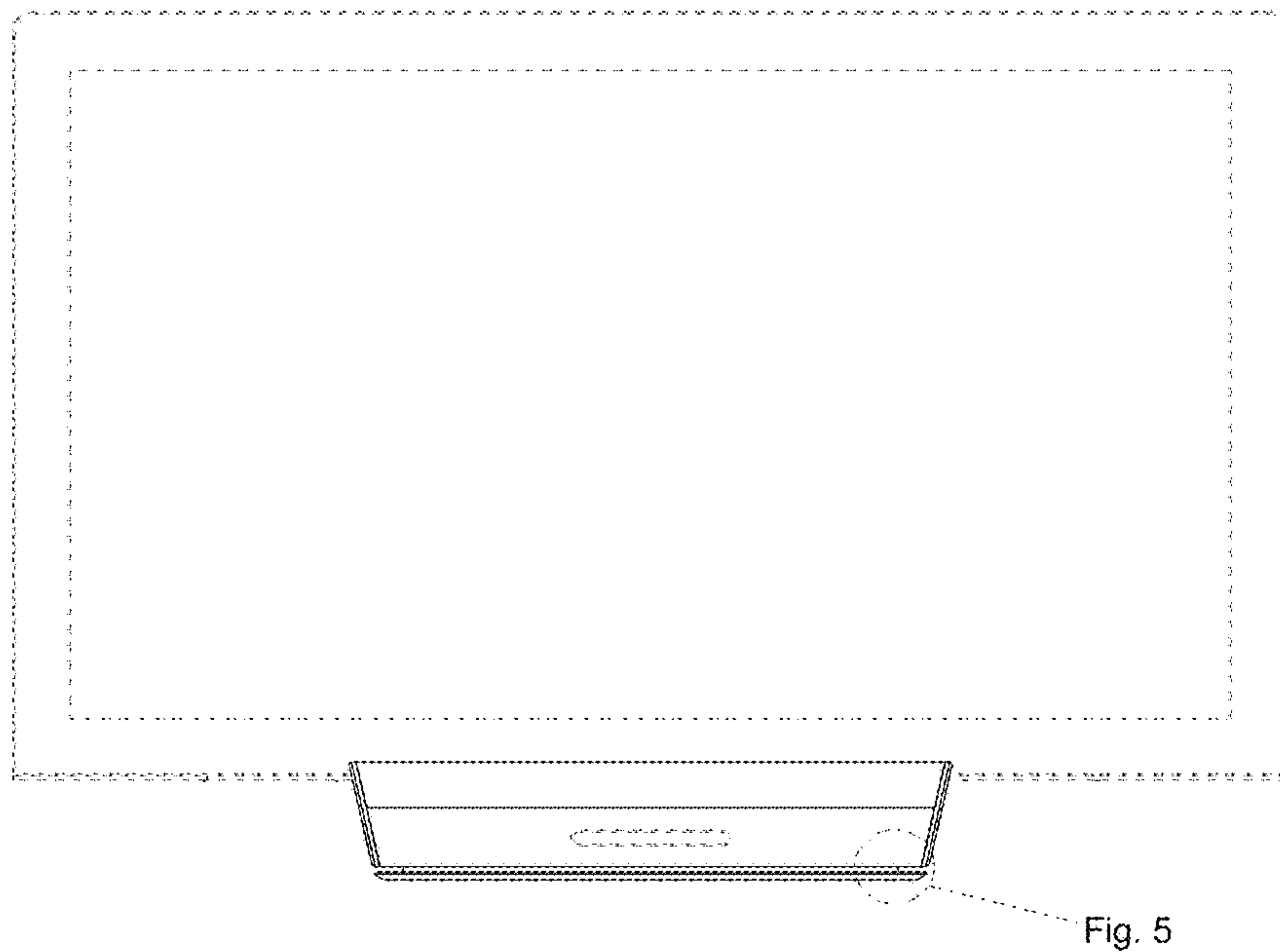


Fig. 2

Fig. 5

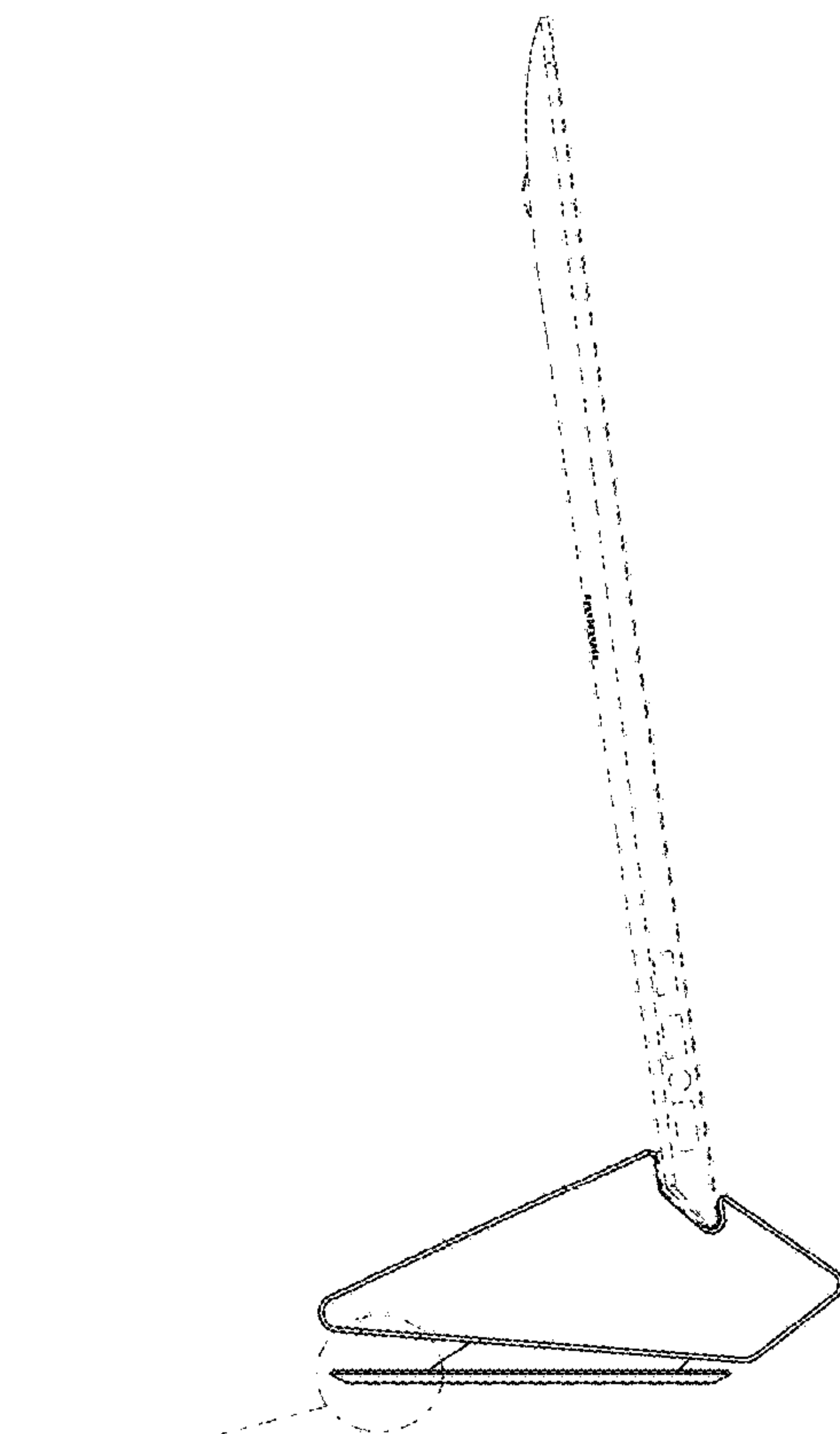


Fig. 6

Fig. 3

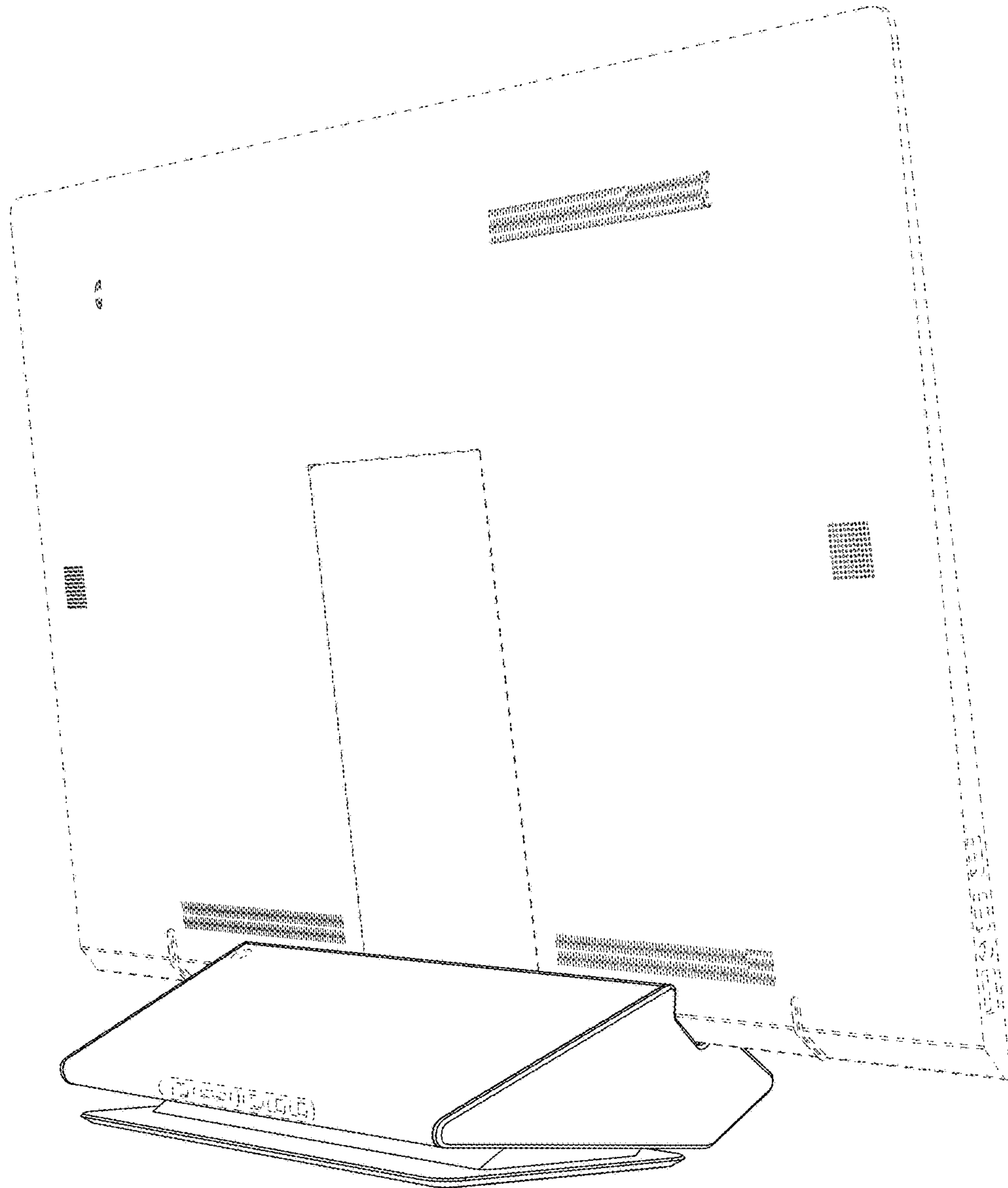


Fig. 4

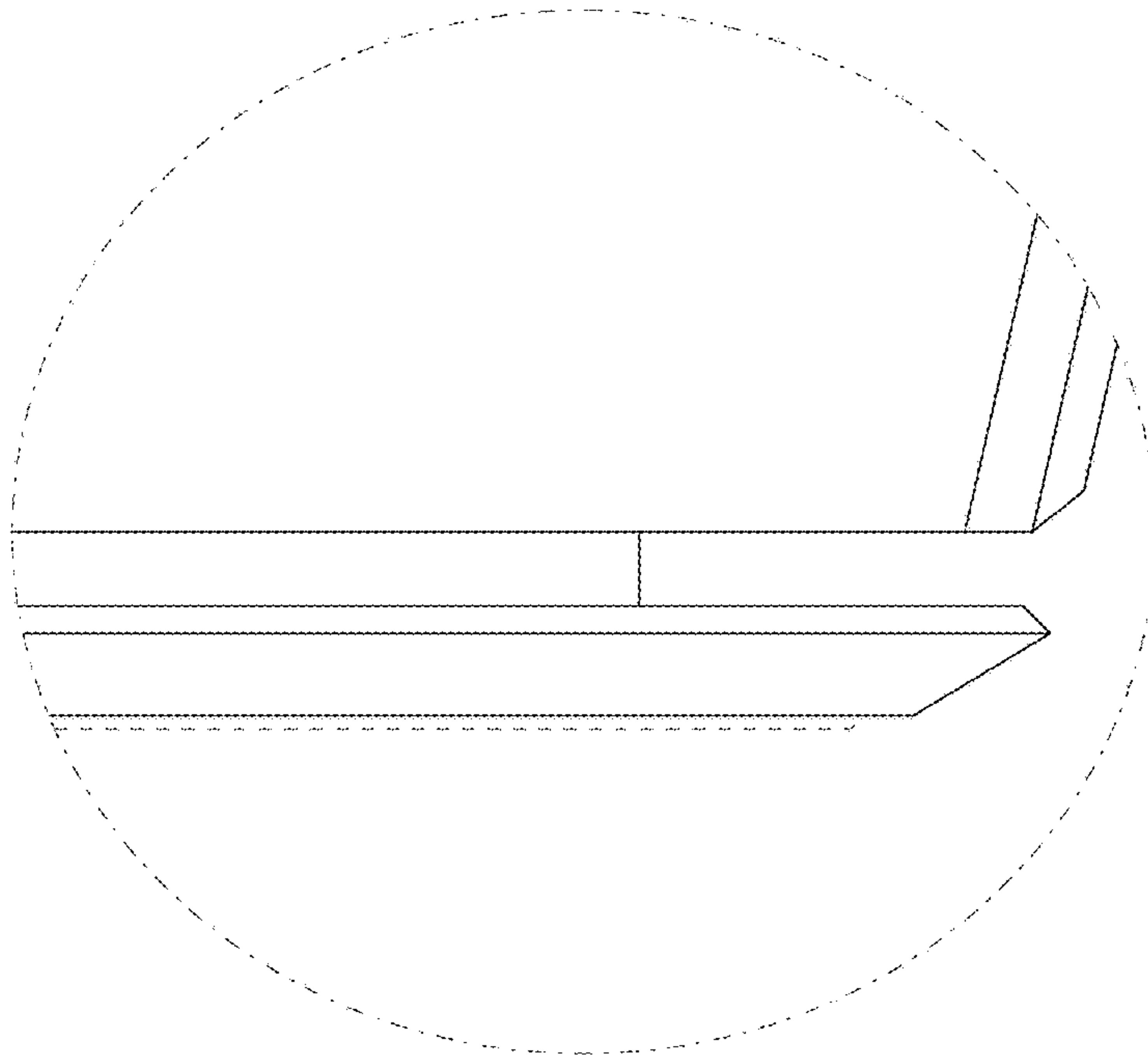


Fig. 5

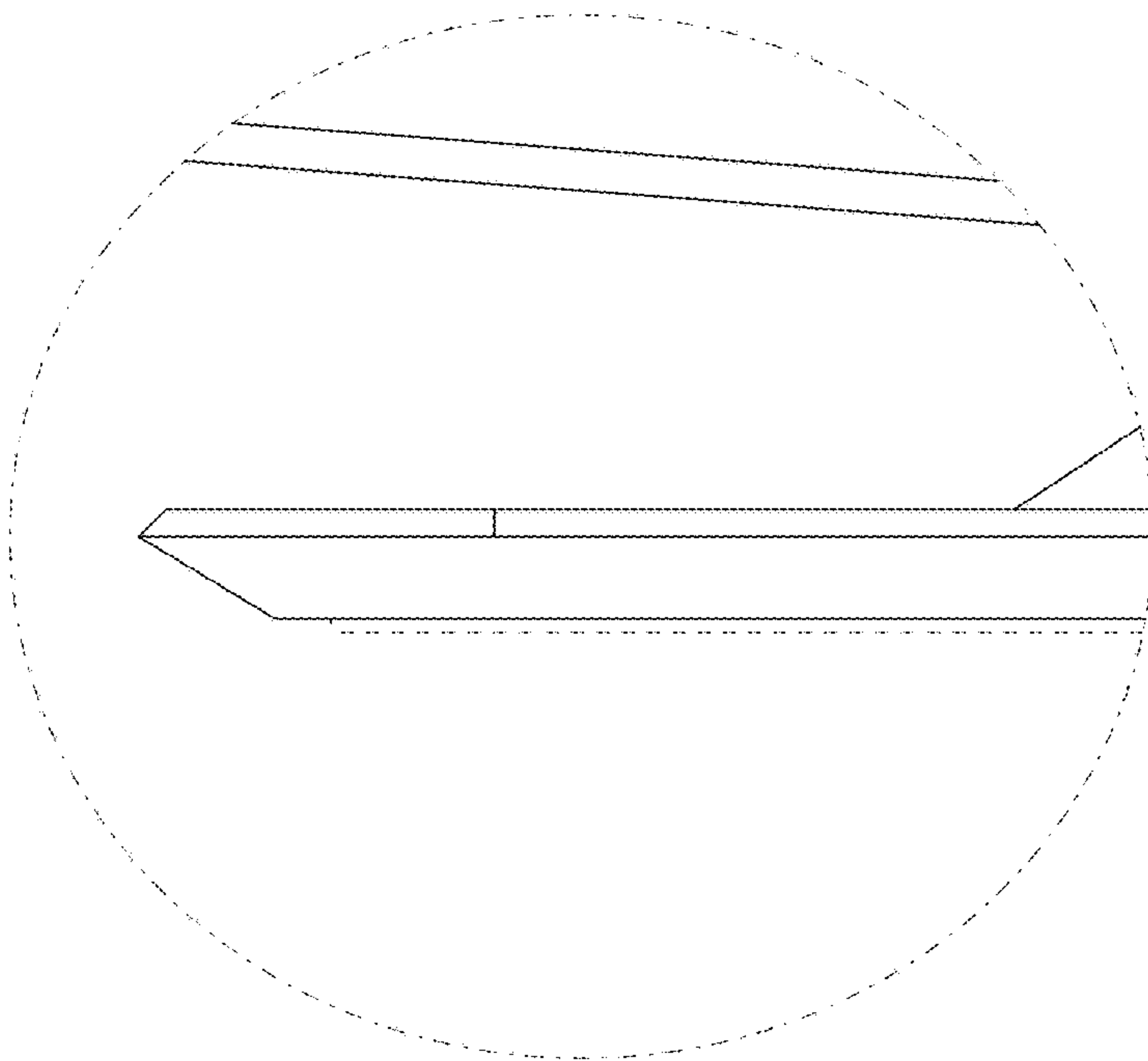


Fig. 6

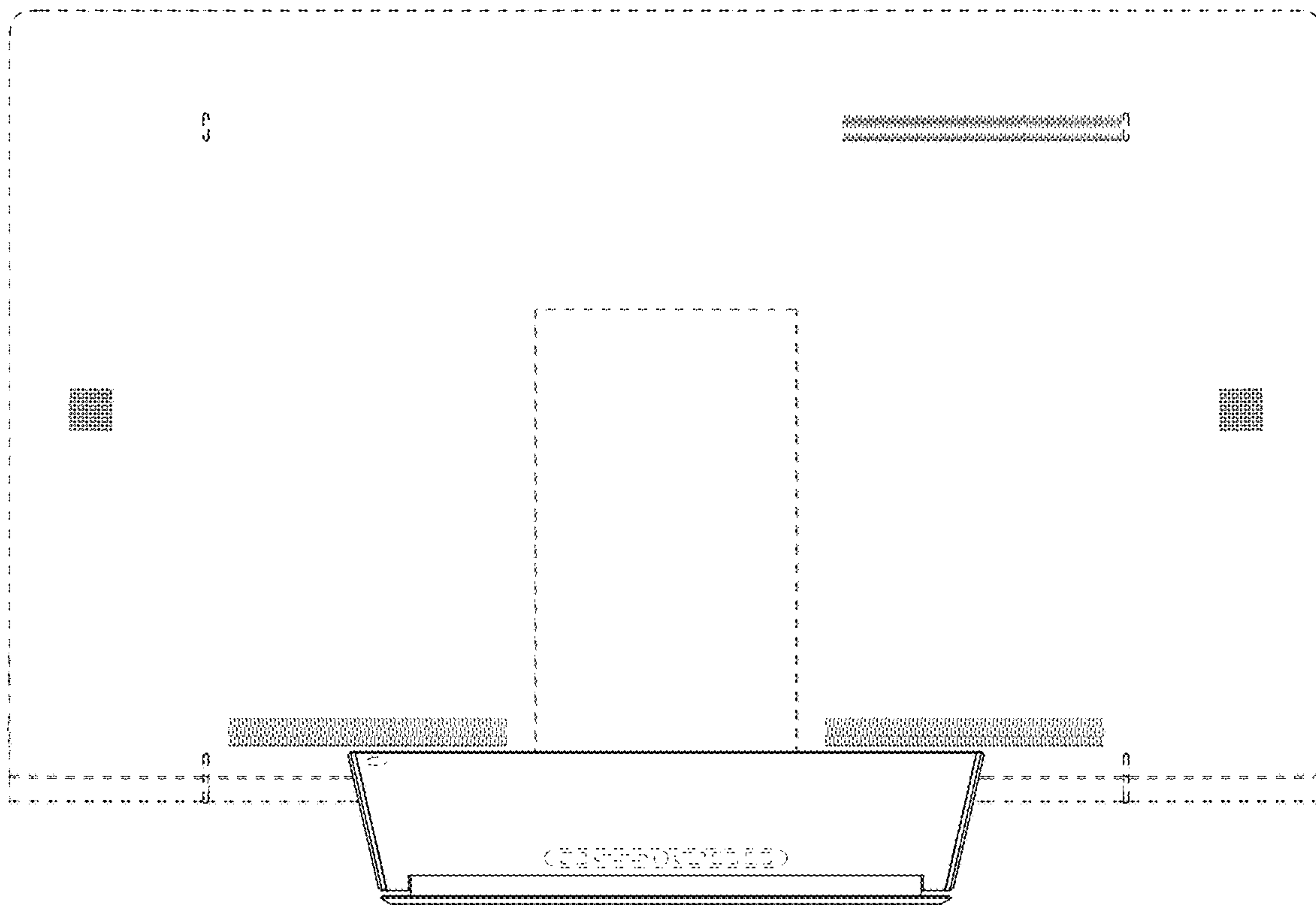


Fig. 7

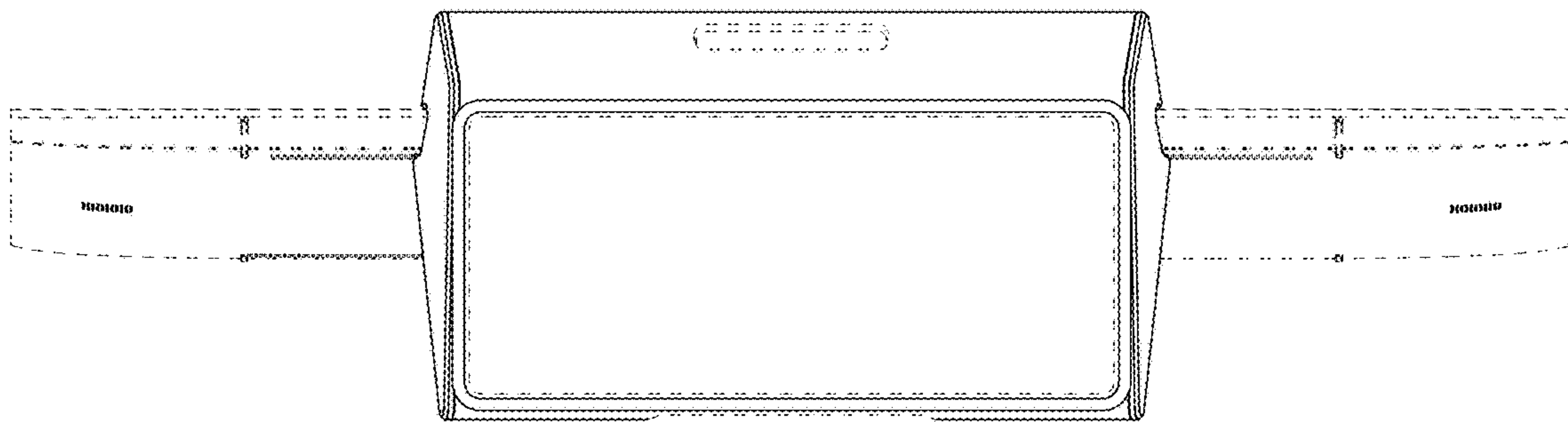


Fig. 8