



US00D836642S

(12) **United States Design Patent**  
**Hong**

(10) **Patent No.:** **US D836,642 S**

(45) **Date of Patent:** **\*\* Dec. 25, 2018**

- (54) **NOTEBOOK RADIATOR**
- (71) Applicant: **Coolcold Technology (Shenzhen) Co., Ltd.**, Shenzhen, Guangdong (CN)
- (72) Inventor: **Songliang Hong**, Guangdong (CN)
- (73) Assignee: **Coolcold Technology (Shen Zhen) Co., Ltd.**, Shenzhen (CN)

D718,316 S *	11/2014	Veltz	.....	D14/440
D729,255 S *	5/2015	Kilkenny	.....	D14/440
D732,042 S *	6/2015	Chen	.....	D14/440
D753,122 S *	4/2016	Li	.....	D14/440
9,904,335 B2 *	2/2018	Kamimura	.....	G06F 1/1616
2002/0018335 A1 *	2/2002	Koizumi	.....	G06F 1/1632 361/679.47
2003/0214786 A1 *	11/2003	Niwatsukino	.....	G06F 1/203 361/699
2011/0031287 A1 *	2/2011	Le Gette	.....	F16M 11/04 224/101

(\*\*) Term: **15 Years**

\* cited by examiner

(21) Appl. No.: **29/607,351**

*Primary Examiner* — Cynthia R Underwood

(22) Filed: **Jun. 12, 2017**

(74) *Attorney, Agent, or Firm* — ScienBiziP, P.C.

(51) **LOC (11) Cl.** ..... **14-02**

(57) **CLAIM**

(52) **U.S. Cl.**  
USPC ..... **D14/440**

The ornamental design for a notebook radiator, as shown and described.

(58) **Field of Classification Search**  
USPC ..... D14/440; 206/45.23, 320, 45.2;  
361/679.55; 294/25; 224/218  
CPC ... G06F 1/1628; G06F 1/1626; A47B 23/044;  
H04B 1/3888; H05K 5/0217  
See application file for complete search history.

**DESCRIPTION**

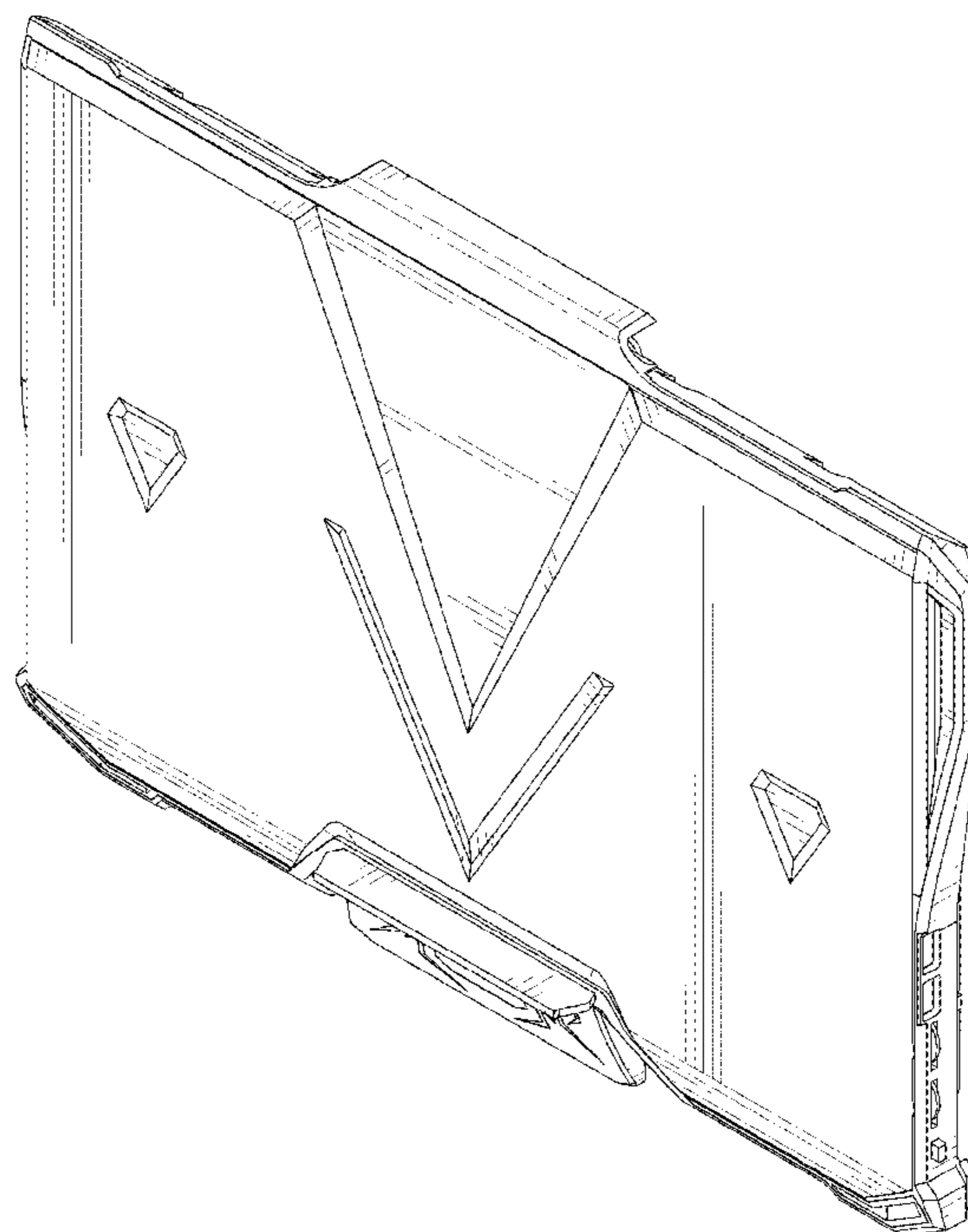
(56) **References Cited**

**U.S. PATENT DOCUMENTS**

RE42,054 E *	1/2011	Park	.....	D14/447
D643,433 S *	8/2011	Hsieh	.....	D14/440
D668,660 S *	10/2012	Norfolk	.....	D14/440
D678,293 S *	3/2013	Meehan	.....	D14/440
D687,427 S *	8/2013	Peterson	.....	D14/250
D688,671 S *	8/2013	Avganim	.....	D14/447
D695,748 S *	12/2013	Morris	.....	D14/447
D699,245 S *	2/2014	Lee	.....	D14/447

FIG. 1 is a first perspective view of a notebook radiator showing my new design;  
FIG. 2 is a second perspective view thereof;  
FIG. 3 is a third perspective view thereof;  
FIG. 4 is a front elevational view thereof;  
FIG. 5 is a rear elevational view thereof;  
FIG. 6 is a left side view thereof;  
FIG. 7 is a right side view thereof;  
FIG. 8 is a top plan view thereof;  
FIG. 9 is a bottom plan view thereof; and,  
FIG. 10 is a perspective view showing the notebook radiator in a use state.

**1 Claim, 10 Drawing Sheets**



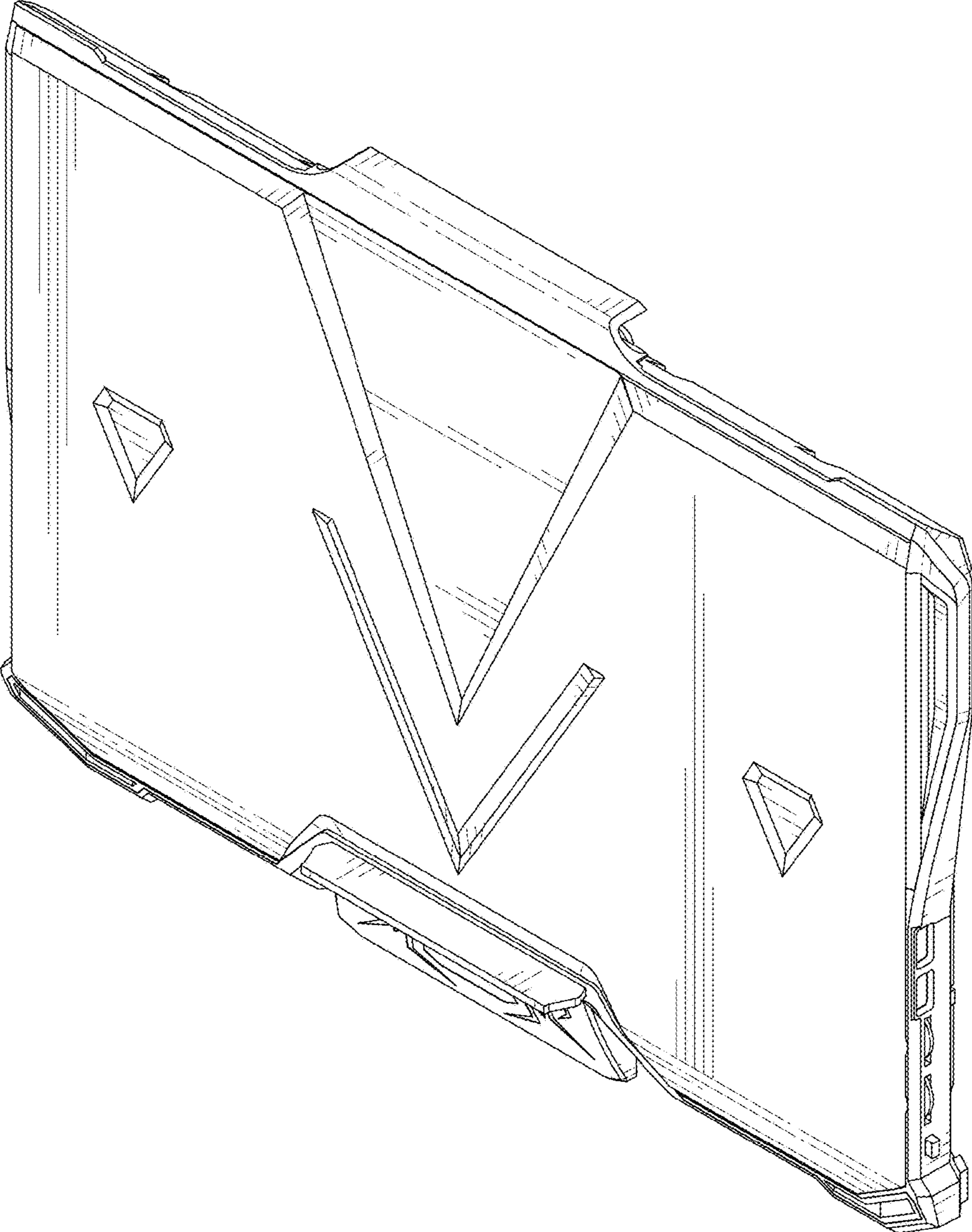


FIG. 1

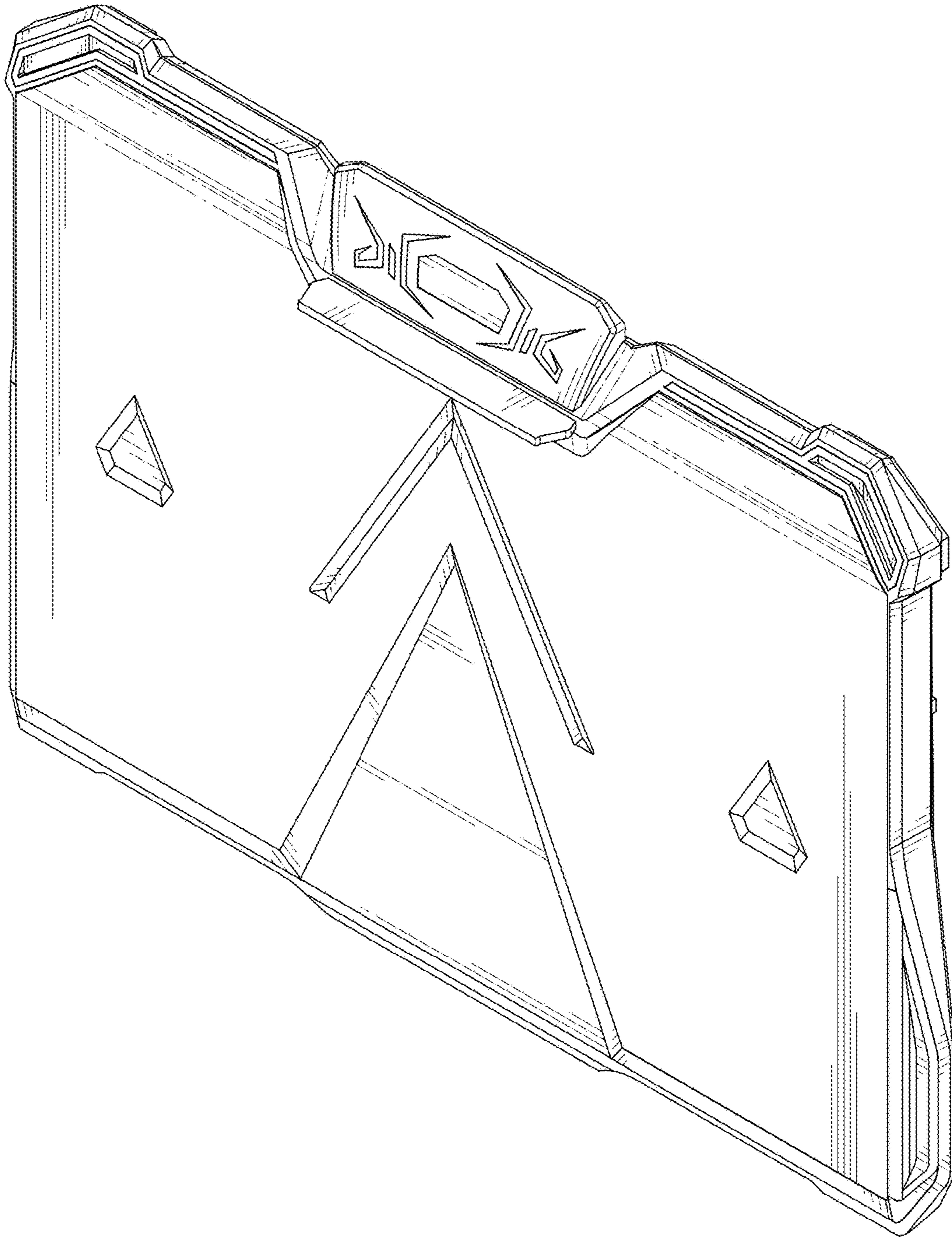


FIG. 2

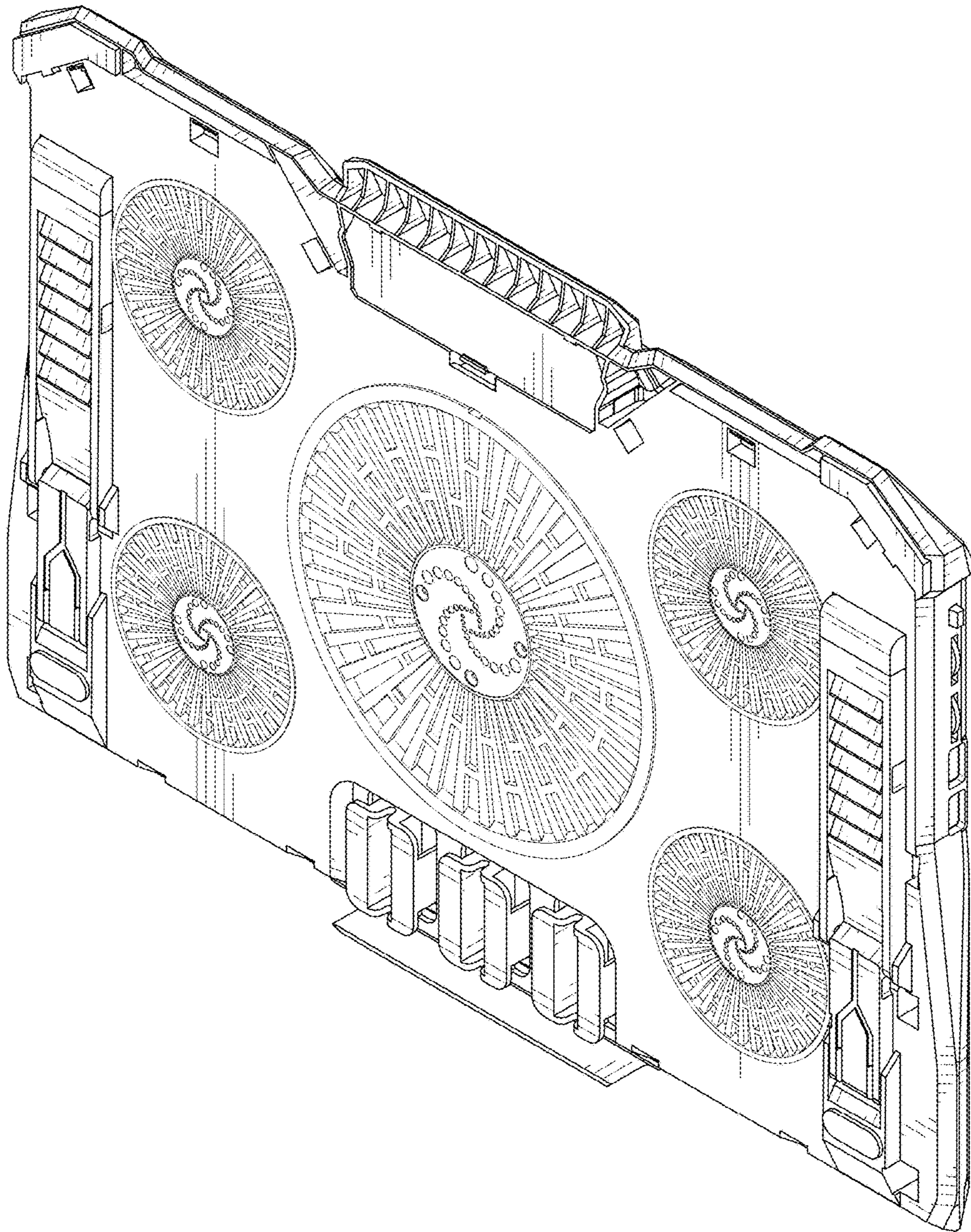


FIG. 3

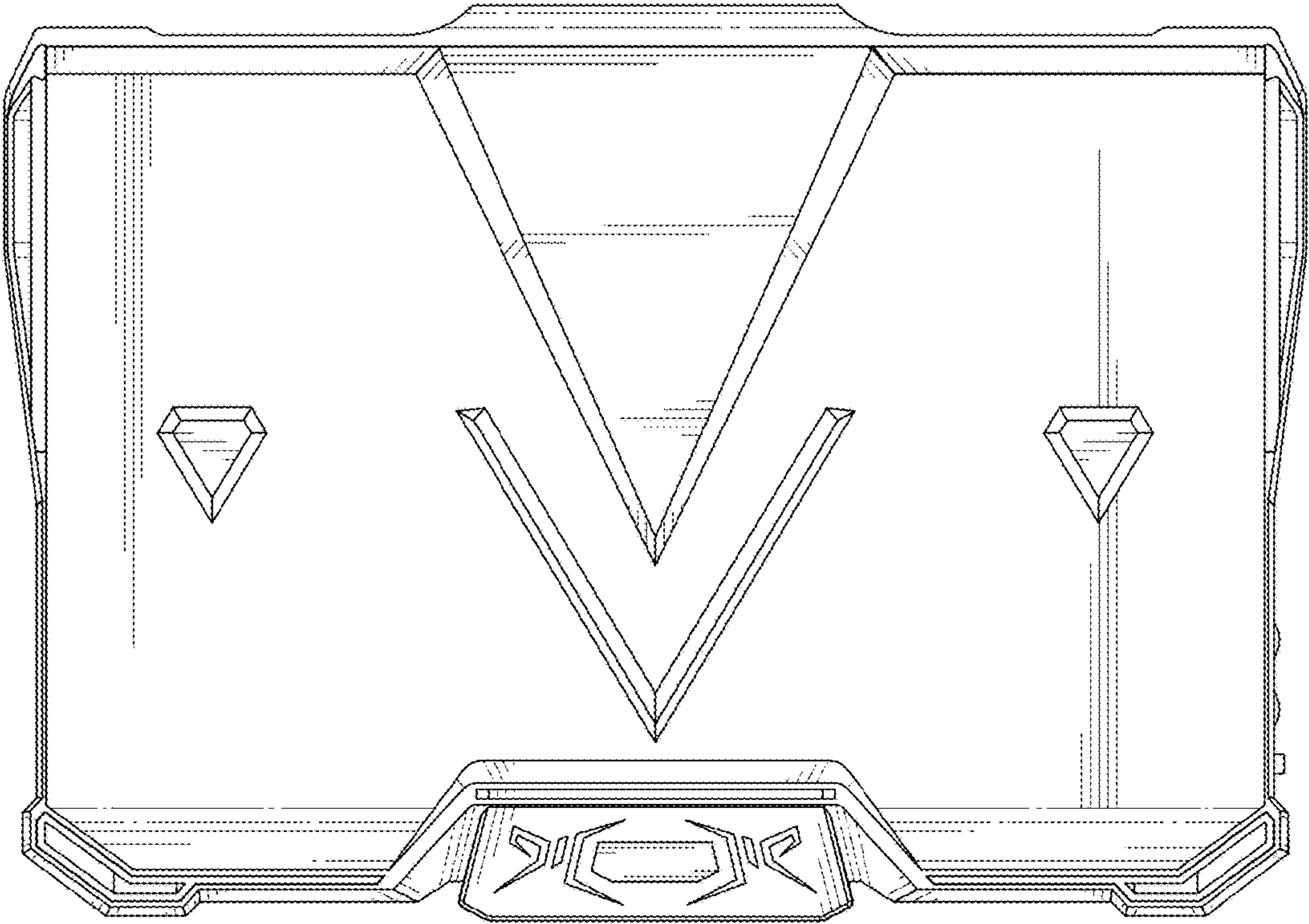


FIG. 4

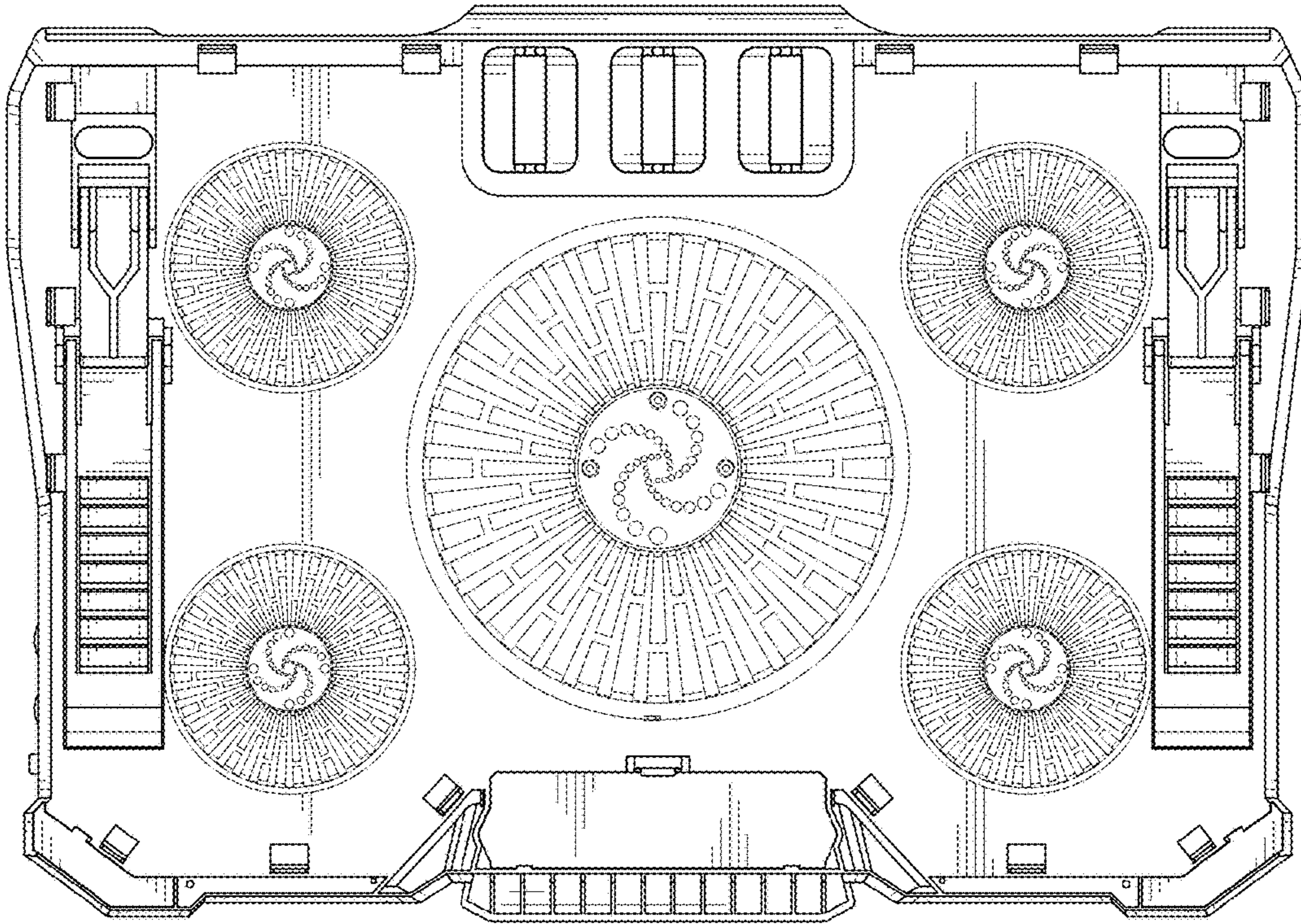


FIG. 5

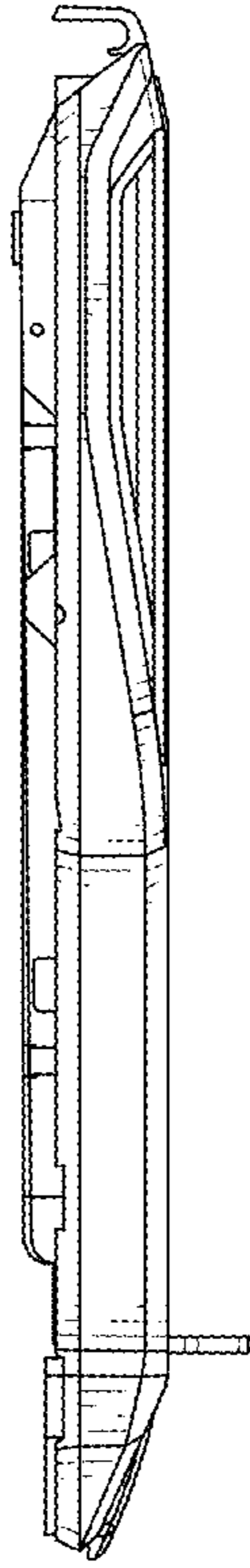


FIG. 6

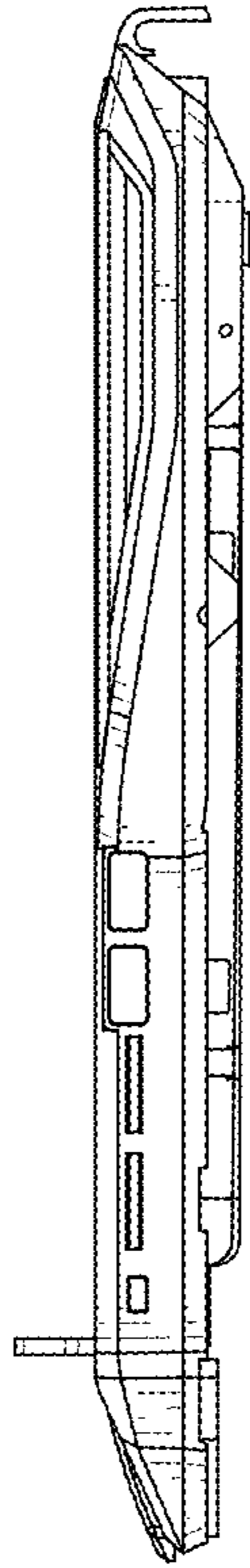


FIG. 7



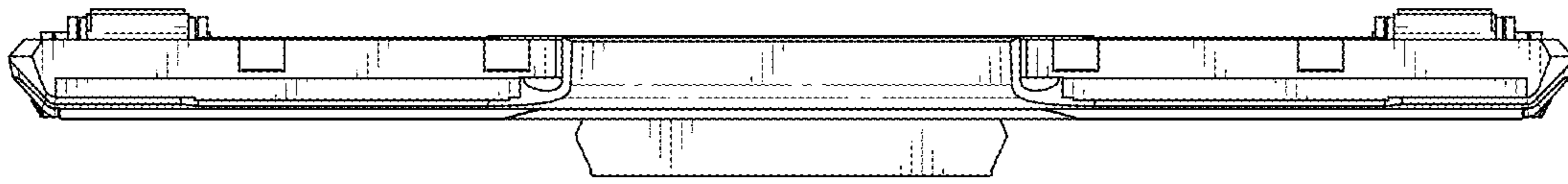


FIG. 8

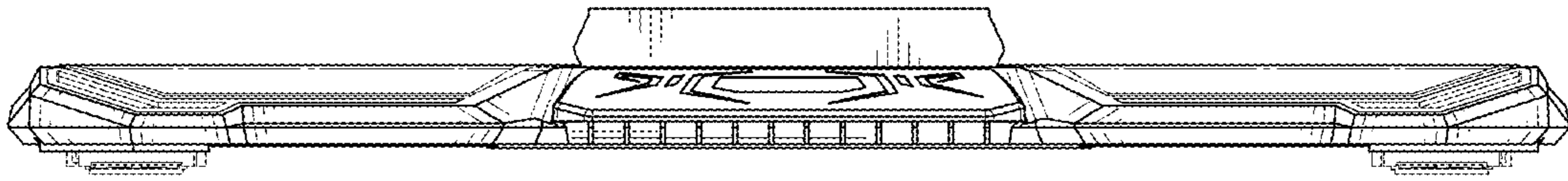


FIG. 9

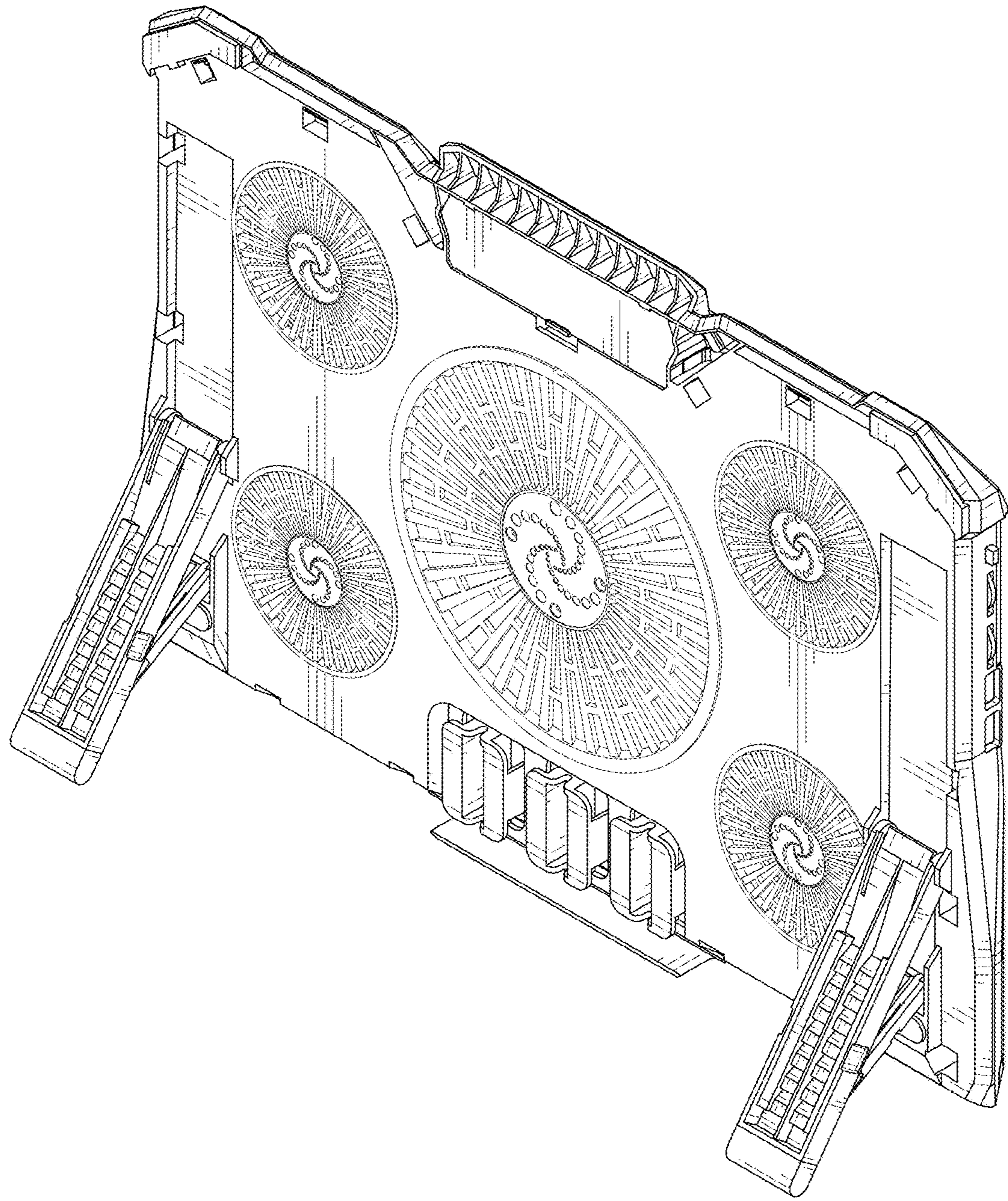


FIG. 10