



US00D836641S

(12) **United States Design Patent**
Zenri et al.

(10) **Patent No.: US D836,641 S**
(45) **Date of Patent: ** Dec. 25, 2018**

(54) **MEMORY CARD**

(71) Applicant: **NINTENDO CO., LTD.**, Kyoto (JP)

(72) Inventors: **Yuko Zenri**, Kyoto (JP); **Hitoshi Tsuchiya**, Kyoto (JP)

(73) Assignee: **Nintendo Co., Ltd.**, Kyoto (JP)

(**) Term: **15 Years**

(21) Appl. No.: **29/600,563**

(22) Filed: **Apr. 13, 2017**

(30) **Foreign Application Priority Data**

Oct. 19, 2016 (JP) 2016-022755
Oct. 19, 2016 (JP) 2016-022756

(51) **LOC (11) Cl.** **14-02**

(52) **U.S. Cl.**
USPC **D14/436**

(58) **Field of Classification Search**
USPC D14/435-438, 478-480, 400, 356;
235/441, 443, 487, 492, 493, 495;
361/737, 679, 752, 736, 796, 797, 729,
361/730, 725-728, 753, 799-802, 807,
361/816, 818, 829; 257/678, 679, 693,
257/E23.064; 439/946, 948, 159, 945,
439/136-140, 181, 55, 60, 630, 680, 951;
174/250, 260, 52.1, 52.2; 710/300-303;
438/121; D21/333, 332

CPC G06K 19/06196; G06K 19/072; G06K
19/0721; G06K 19/0722; G06K 19/0723;
G06K 19/0724; G06K 19/0725; G06K
19/0726; G06K 19/0727; G06K 19/0728;
G06K 19/073; G06K 19/07309; G06K
19/077; G06K 19/07701; G06K
19/07715; G06K 19/0772; G06K
19/07722; G06K 19/07724; G06K
19/07726; G06K 19/07728; G06K
19/0773; G06K 19/07735; G06K
19/07737; G06K 19/07739; G06K
19/07741; G06K 19/07743; G06K

19/07745; G06K 19/07747; G06K
19/07749; G06K 19/07758; G06K
19/07767; G06K 19/07769; G06K
19/07771; G06K 19/07773; G06K
19/07775; G06K 19/083; G06K 19/086;
G06K 19/145; G06K 19/18; G06K
2215/0022; G06K 2215/0025; G06K
2215/0031; G06K 2215/004; G06K
2215/0082; G06F 21/77-21/80; G06F
21/85-21/88; G06F 21/00; G06Q
20/3229; G06Q 20/34; G06Q 20/341;
G06Q 20/346; G06Q 20/349; G06Q
20/3563; G06Q 20/3567; G06Q 20/357;
G06Q 20/3576; H05K 5/026; H05K
5/0256; H05K 5/0265;

(Continued)

(56) **References Cited**

U.S. PATENT DOCUMENTS

D286,053 S * 10/1986 McDaniel D14/438
D452,281 S * 12/2001 Ohno D21/332

(Continued)

Primary Examiner — Susan Moon Lee

(74) *Attorney, Agent, or Firm* — Nixon & Vanderhye PC

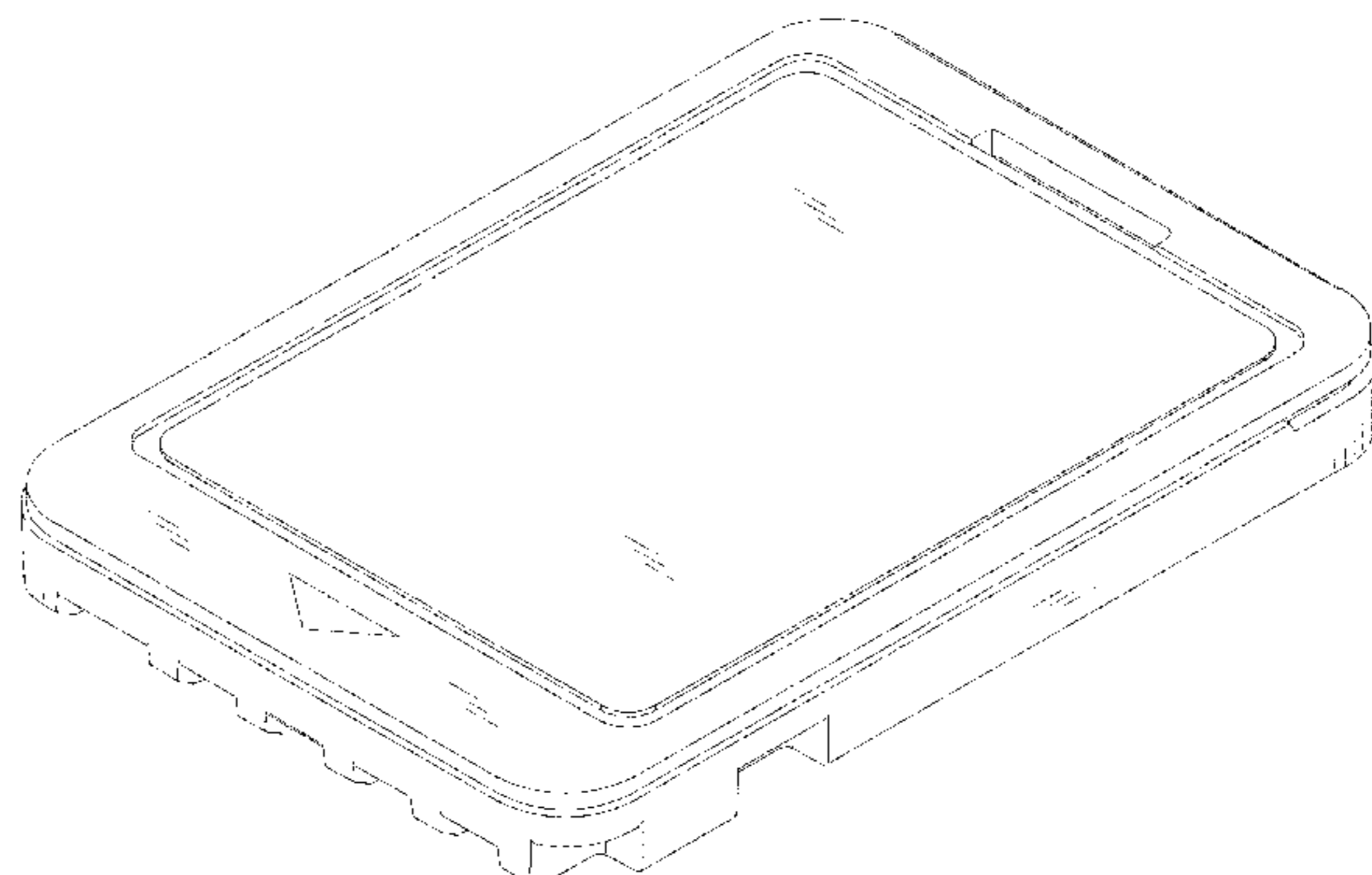
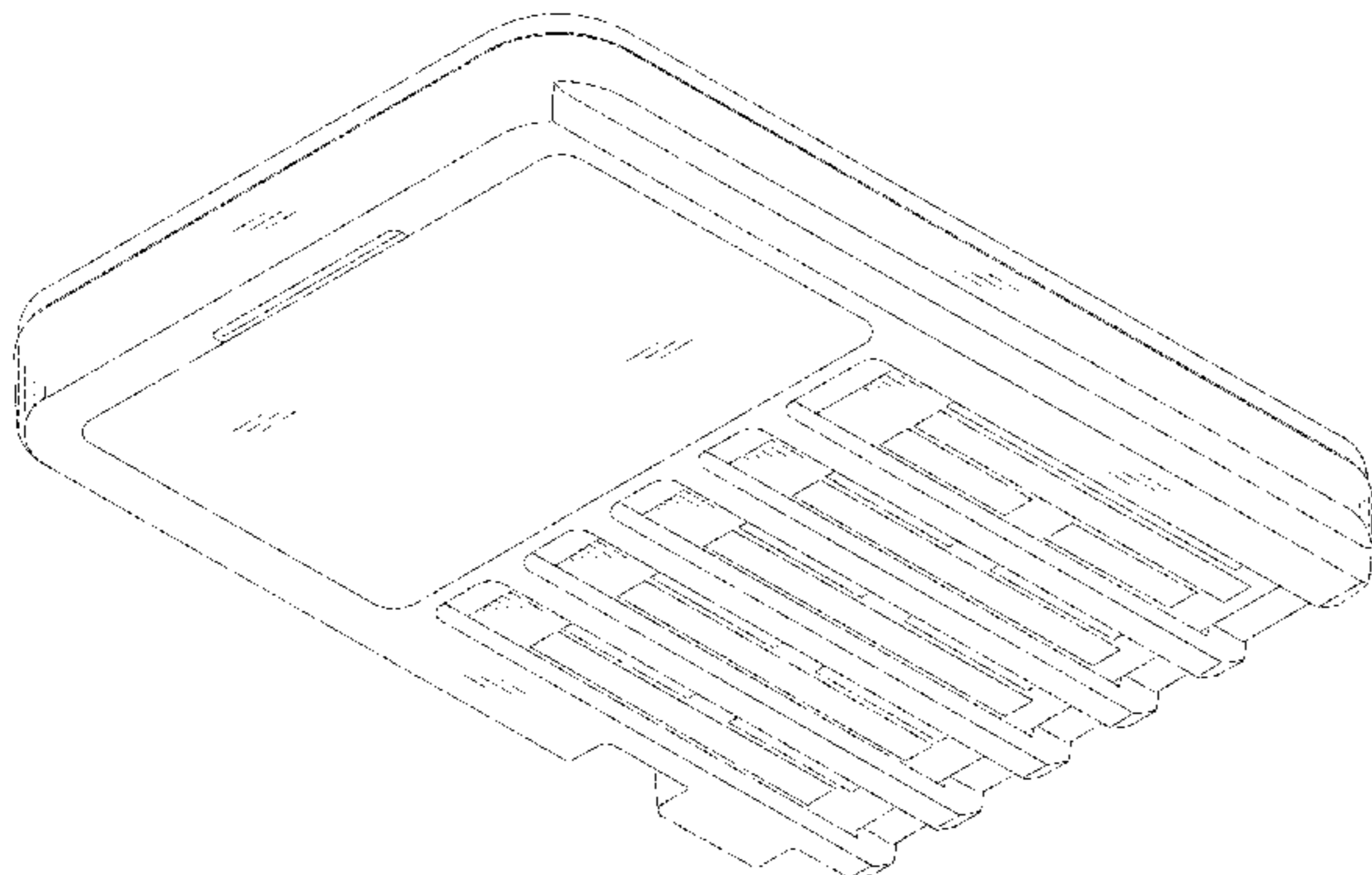
(57) **CLAIM**

The ornamental design for a memory card, as shown and described.

DESCRIPTION

FIG. 1 is a front side perspective view of a memory card showing our new design;
FIG. 2 is a back side perspective view thereof;
FIG. 3 is a front view thereof;
FIG. 4 is a top view thereof;
FIG. 5 is a back view thereof;
FIG. 6 is a bottom view thereof;
FIG. 7 is a right side view thereof; and,
FIG. 8 is left side view thereof.

1 Claim, 8 Drawing Sheets



(58) **Field of Classification Search**

CPC .. H05K 5/0269; H05K 5/0273; H05K 5/0278;
 H05K 5/0282; H05K 5/0286; H05K
 5/0291; H05K 5/0295; H05K 5/03; H05K
 5/04; H05K 5/06; H05K 5/061; H05K
 5/062; H05K 5/063; H05K 5/064; H05K
 5/065; H05K 5/066; H05K 5/067; H05K
 5/068; H05K 5/069; H05K 7/00; H05K
 7/005; H05K 7/02; H05K 7/023; H05K
 7/026; H05K 7/04; H05K 7/10; H05K
 7/1418; H05K 7/142; H05K 7/1424;
 H05K 7/1427-7/1439; H05K 7/1461;
 H05K 7/1464-7/1474; H05K 7/1479;
 H05K 7/1481; H05K 7/1485-7/1488;
 H05K 2201/09745; H05K 2201/09754;
 H05K 2201/09763; H05K 2201/09772;
 H05K 2201/098; H05K 2201/09818;
 H05K 2201/10; H05K 2201/10007; H05K
 2201/10098; H05K 2201/10143; H05K
 2201/10159; H05K 2201/10174; H05K
 2201/10212; H05K 2201/1028; H05K
 2201/1031; H05K 2201/10431; H05K
 2201/22; H05K 2201/10462; H05K
 2201/10545; H05K 2201/10553; H05K
 2201/1056; H05K 2201/10621; H05K
 2201/10636; H05K 2203/05; H05K
 3/368; H05K 3/3436; H05K 3/36; H05K
 3/40; H05K 3/4007; H05K 3/4015; H05K
 3/403; H05K 3/4053; H05K 3/4092;
 H05K 3/42; H05K 3/421; H05K 3/46;
 H05K 1/14; H05K 1/141; H05K 1/142;
 H05K 1/144; H05K 1/145; H05K 1/182;
 H05K 1/117; H05K 2201/09063; H05K

2201/09409; H05K 2201/10598; H04N
 2201/216; H01R 12/712; H01R 13/26;
 H01R 13/652; A63F 13/95; A63F 9/24

See application file for complete search history.

(56)

References Cited

U.S. PATENT DOCUMENTS

6,641,413	B2 *	11/2003	Kuroda	G06K 7/0021 439/159
6,646,885	B1 *	11/2003	Yu	G06K 19/07743 235/492
D484,883	S *	1/2004	Metivier	D14/436
D488,477	S *	4/2004	Yu	D14/436
D492,687	S *	7/2004	Yu	D14/436
D498,760	S *	11/2004	Chiang	D14/436
D536,382	S *	2/2007	Sugino	D21/332
D641,050	S *	7/2011	Matsui	D21/332
D670,292	S *	11/2012	Komatani	D14/436
9,853,379	B1 *	12/2017	Hirose	H01R 12/712
2003/0040353	A1 *	2/2003	Takamoto	A63F 13/02 463/16
2006/0100021	A1 *	5/2006	Yoshino	A63F 13/00 463/45
2009/0017687	A1 *	1/2009	Harris	G06K 7/0021 439/630
2009/0298321	A1 *	12/2009	Sakiyama	H01R 13/64 439/377
2014/0221096	A1 *	8/2014	Yamane	A63F 13/10 463/35
2014/0302920	A1 *	10/2014	Beckett	A63F 13/00 463/31
2014/0378224	A1 *	12/2014	Beckett	A63F 13/00 463/31

* cited by examiner

Fig. 1

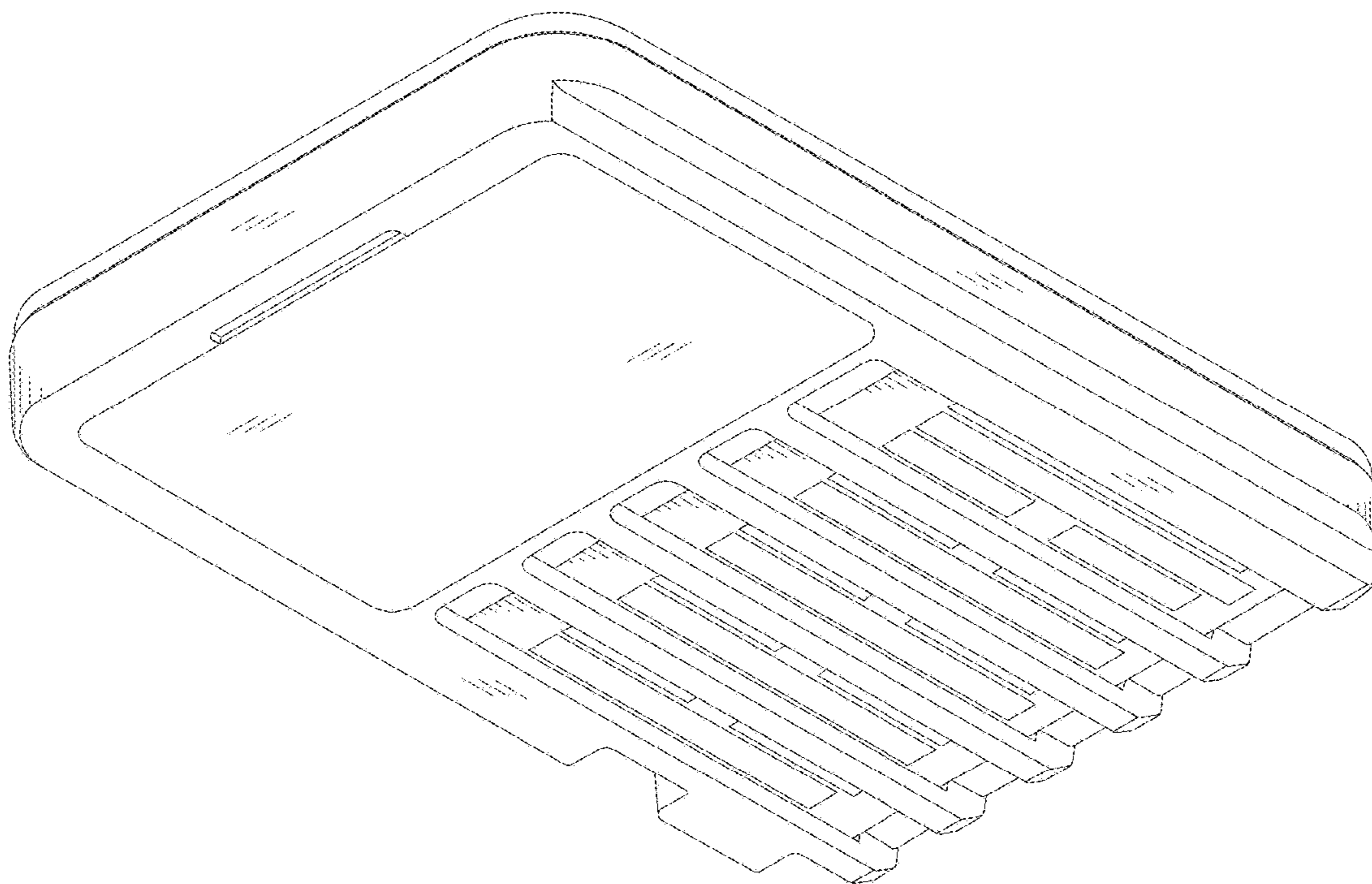


Fig. 2

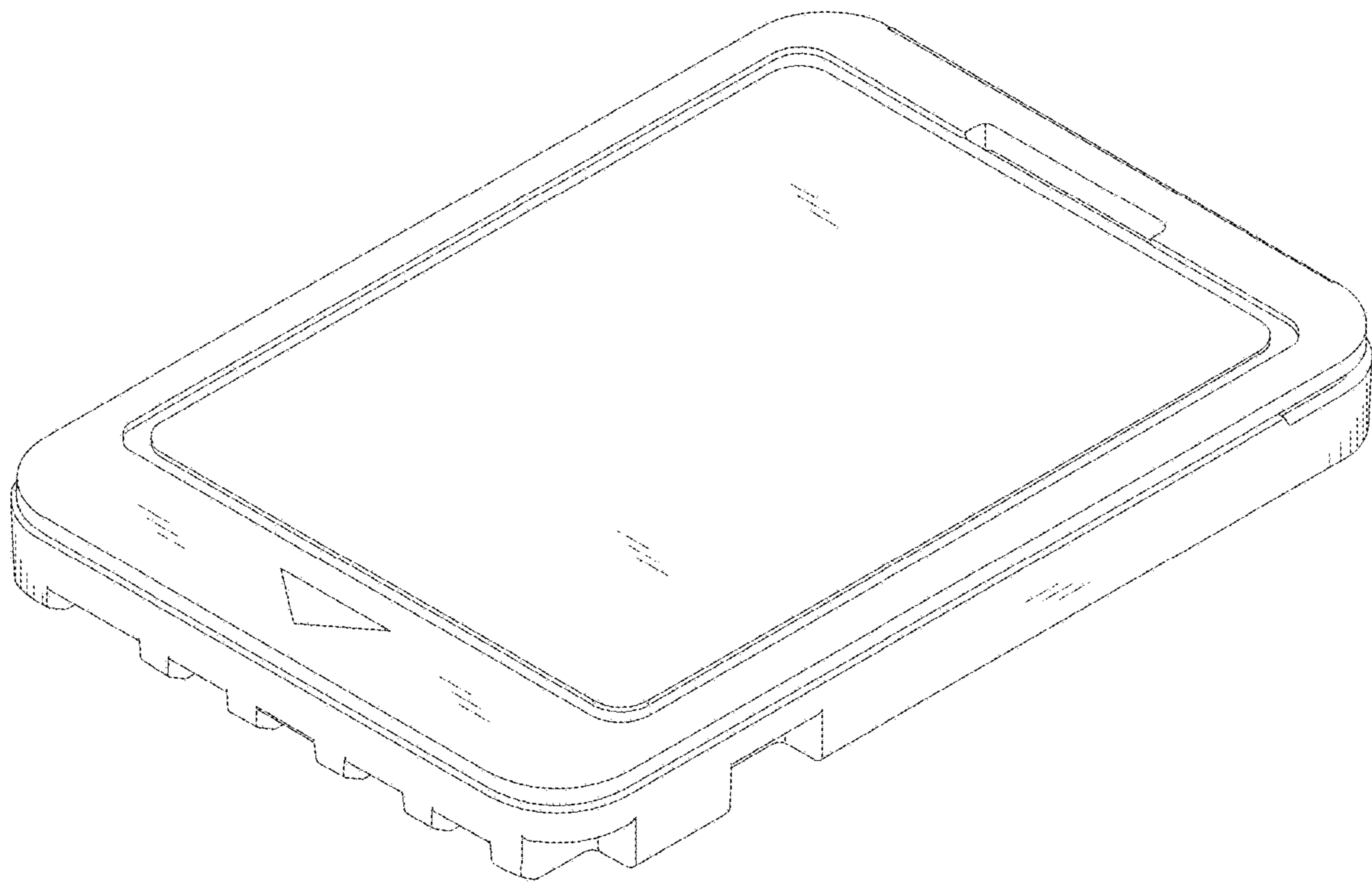


Fig.3

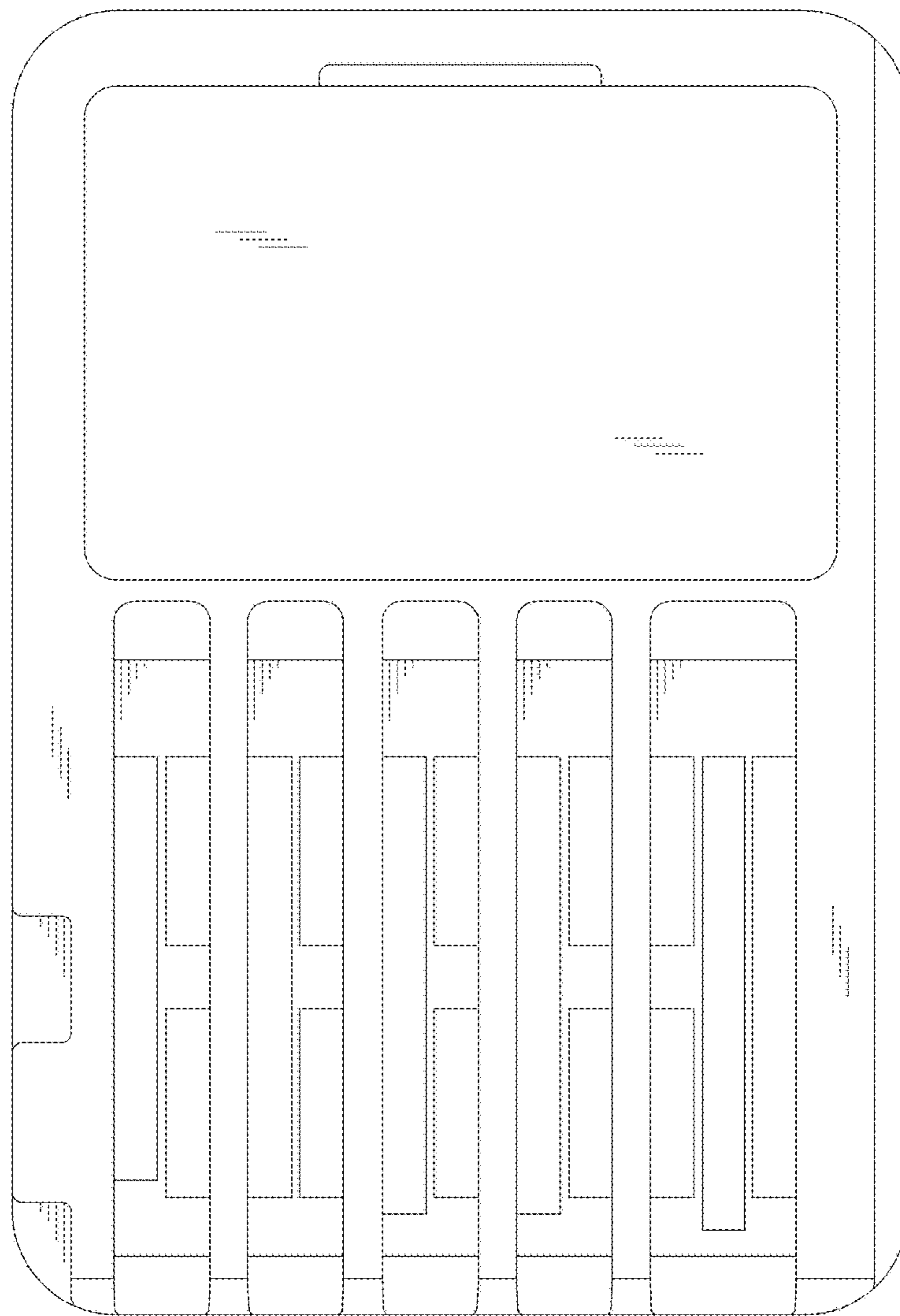


Fig. 4

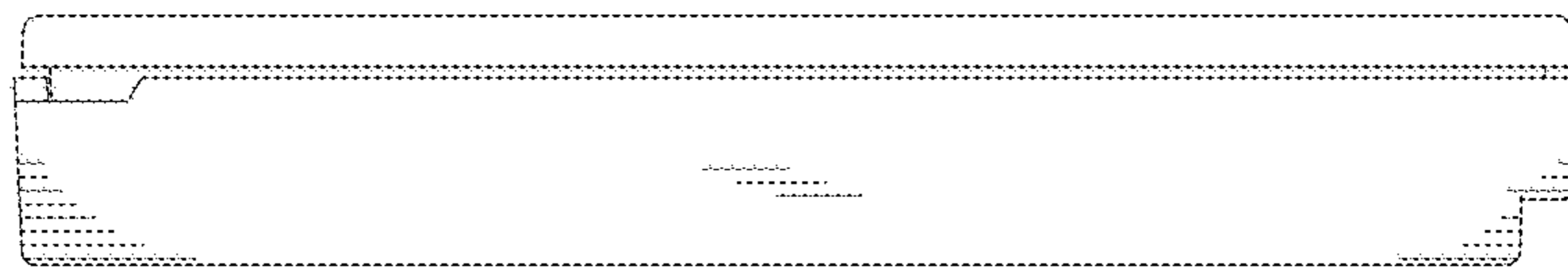


Fig.5

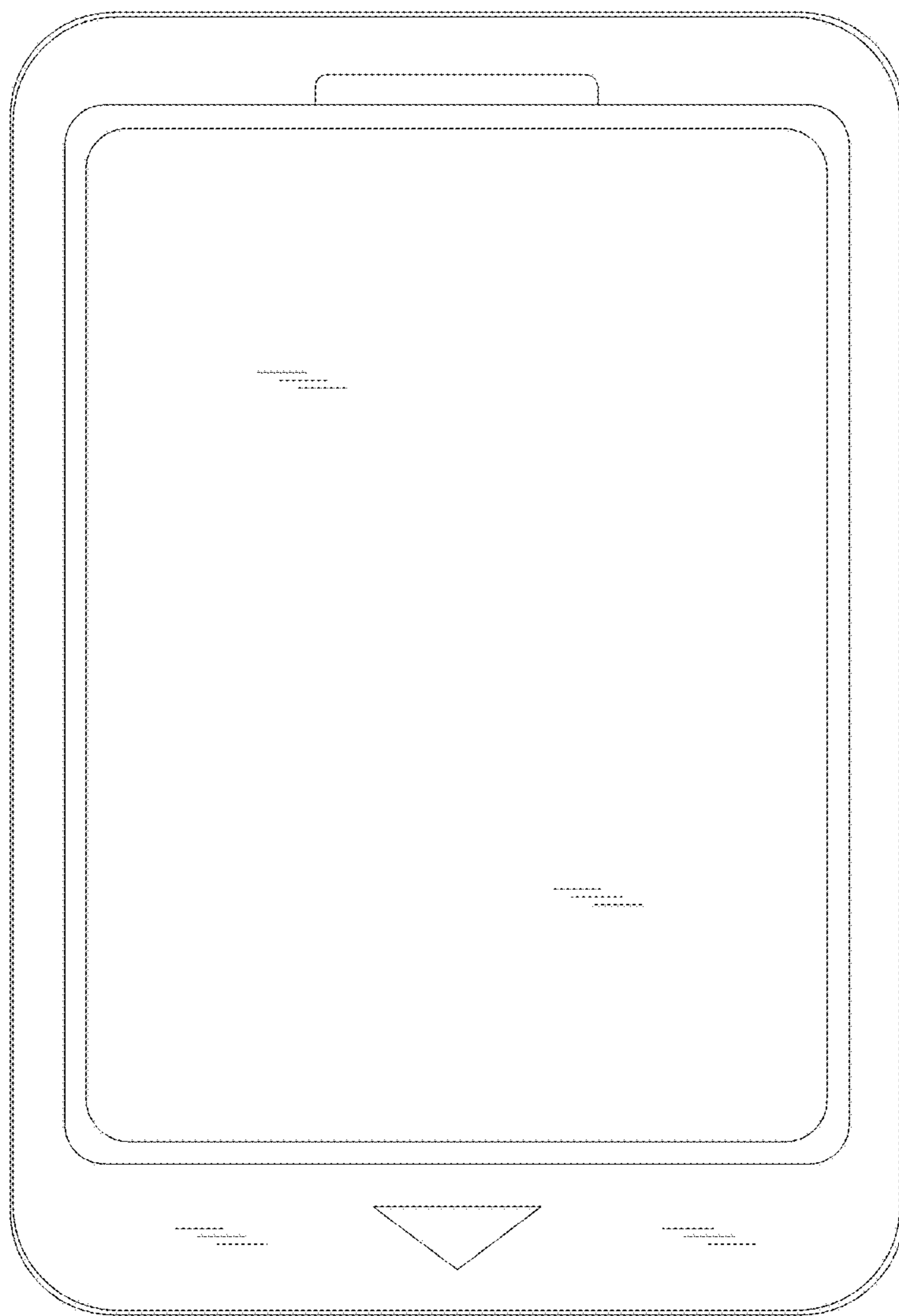


Fig.6

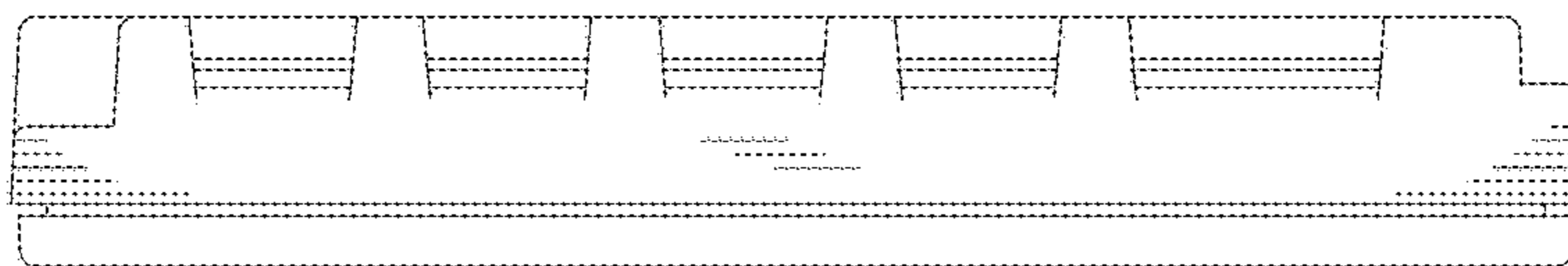


Fig. 7

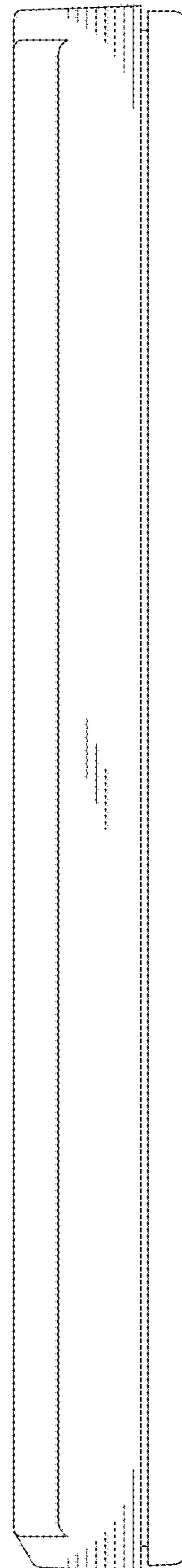
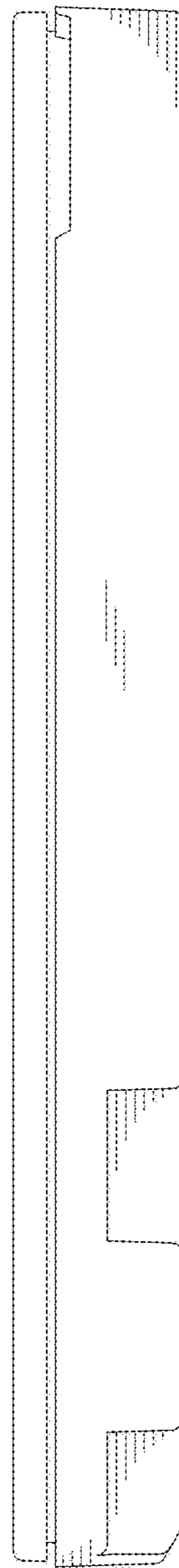


Fig. 8



UNITED STATES PATENT AND TRADEMARK OFFICE
CERTIFICATE OF CORRECTION


PATENT NO. : D836,641 S
APPLICATION NO. : 29/600563
DATED : December 25, 2018
INVENTOR(S) : Yuko Zenri et al.

Page 1 of 1

It is certified that error appears in the above-identified patent and that said Letters Patent is hereby corrected as shown below:

On the Title Page

Change “(72) Inventors: Yuko Zenri, Kyoto (JP); Hitoshi Tsuchiya, Kyoto (JP)”
To --(72) Inventors: Yuko Zenri, Kyoto (JP); Hitoshi Tsuchiya, Kyoto (JP); Shinji Hirose, Kyoto (JP);
Yuta Fujita, Kyoto (JP)--.

Signed and Sealed this
Seventh Day of May, 2024

Katherine Kelly Vidal
Director of the United States Patent and Trademark Office