



US00D836639S

(12) **United States Design Patent** (10) **Patent No.:** **US D836,639 S**
Volta et al. (45) **Date of Patent:** **** Dec. 25, 2018**

(54) **PORTABLE TERMINAL**

(56) **References Cited**

(71) Applicant: **Datalogic IP Tech S.r.l.**, Lippo di Calderara di Reno (IT)

U.S. PATENT DOCUMENTS

(72) Inventors: **Romano Volta**, Bologna (IT);
Valentina Volta, Bologna (IT);
Giuseppe Di Bari, Bologna (IT);
Monica Alegiani, Silvi (IT); **Manlio Galanti**, San Giovanni in Persiceto (IT)

1,906,193 A 4/1933 Vitale
D208,599 S 9/1967 Lind
(Continued)

(73) Assignee: **DATALOGIC IP TECH S.R.L.**, Lippo di Calderara di Reno (Bologna) (IT)

OTHER PUBLICATIONS

Unitech Electronics Co.Ltd., Wireless Scanner MS910 User's Manual, v. 1.3, (undated, accessed on Jun. 29, 2016 at http://us.ute.com/products_info.php?pc1=49&pc2=354&rbu=5&pid=944), pp. 1-52.
(Continued)

(**) Term: **15 Years**

Primary Examiner — Susan Moon Lee
(74) *Attorney, Agent, or Firm* — Duane Morris LLP

(21) Appl. No.: **29/645,463**

(57) **CLAIM**

(22) Filed: **Apr. 26, 2018**

We claim the ornamental design for a portable terminal, as shown and described.

Related U.S. Application Data

(62) Division of application No. 29/612,922, filed on Aug. 4, 2017, now Pat. No. Des. 817,331, which is a
(Continued)

DESCRIPTION

(30) **Foreign Application Priority Data**

Jul. 2, 2015 (EM) 002730069
Dec. 22, 2015 (EM) 002920785

FIG. 1 is a perspective front view of an embodiment of a portable terminal according to the present invention.
FIG. 2 is a front elevation view of the portable terminal of FIG. 1.
FIG. 3 is a rear elevation view of the portable terminal of FIG. 1.
FIG. 4 is a right side elevation view of the portable terminal of FIG. 1.
FIG. 5 is a left side elevation view of the portable terminal of FIG. 1.
FIG. 6 is a top view of the portable terminal of FIG. 1; and, FIG. 7 is a bottom view of the portable terminal of FIG. 1. The broken lines shown are included for the purpose of illustrating portions of the portable terminal that form no part of the claimed design.

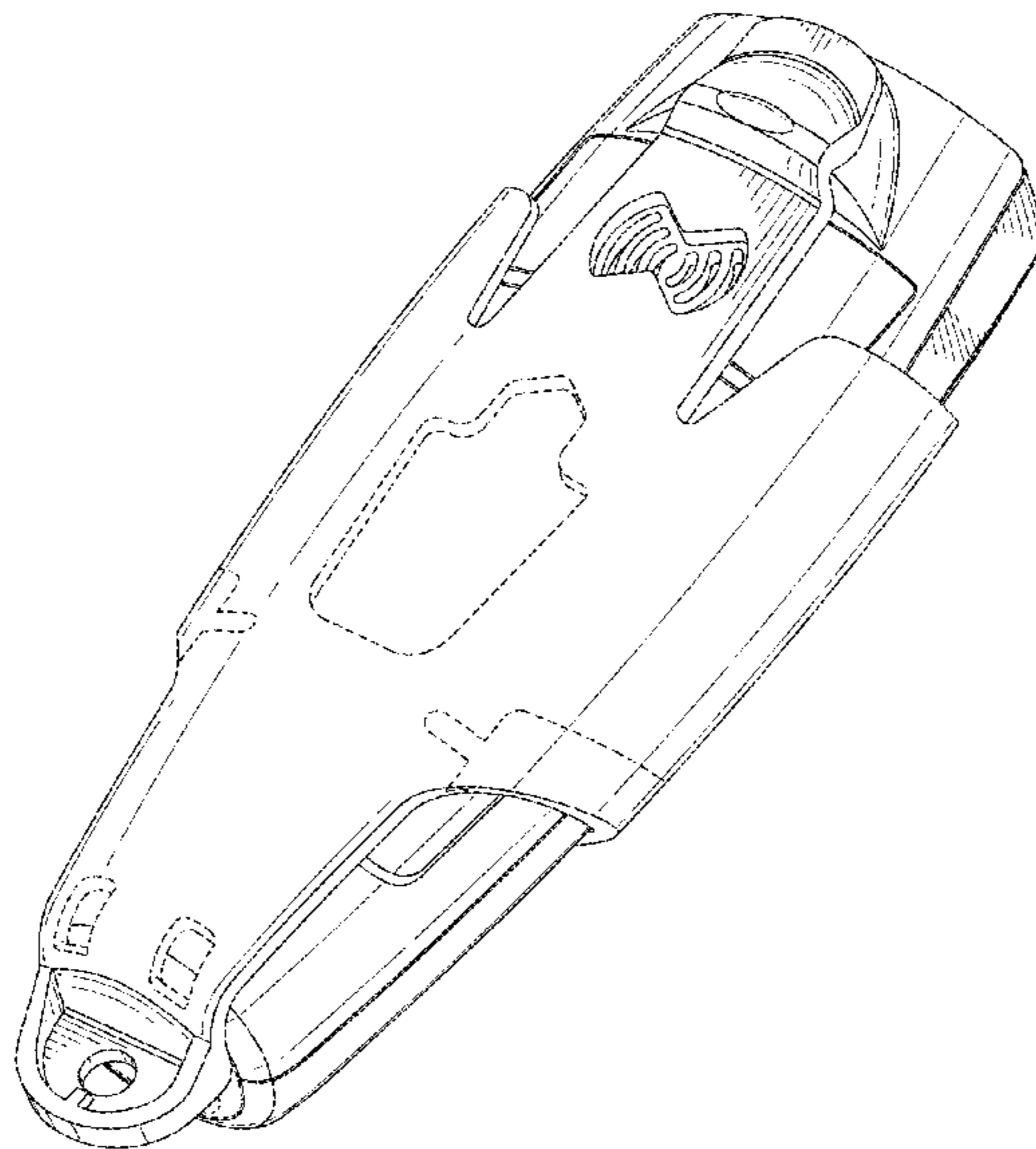
(51) **LOC (11) Cl.** **14-02**

(52) **U.S. Cl.**
USPC **D14/431; D14/426**

(58) **Field of Classification Search**
USPC D14/431, 426, 420, 411, 167, 413, 427,
D14/168, 163, 218, 341, 346;

(Continued)

1 Claim, 6 Drawing Sheets



Related U.S. Application Data

division of application No. 29/550,401, filed on Jan. 4, 2016, now Pat. No. Des. 797,107.

(58) **Field of Classification Search**

USPC 235/462.49, 462.45, 462.43, 472.01, 235/472.03, 494, 495, 482, 454, 462.46, 235/472.02, 473, 375, 462.42; D26/37; 250/555, 566, 569, 568; 401/195; 362/118, 259, 109; D19/44, 36, 55, 130, D19/128, 121, 115, 123, 160-165; D10/104; 382/313, 314, 312, 318; 358/473, 484, 474, 478, 497, 486; 345/179, 165, 166, 180-183, 520; 359/234; D24/110, 110.4-110.6; 710/1; 342/357.22, 357.52; 324/662, 326, 67, 324/671, 228; 607/3, 145, 46, 88, 92; 600/548
CPC G06K 7/10772; G06K 7/10881; G06K 7/109; G06K 17/0022; G06F 3/03545; G06F 3/037; G06F 3/038; G06F 3/0383; G06F 3/0386; G06F 3/041; G06F 3/0414; G06F 3/033; G06F 3/042; G06F 3/03542; G06F 3/0321; H04N 1/00326; H04N 1/107; H04N 2201/0081; H04N 2201/0087; H04N 2201/0096; G02B 27/18; G02B 27/20; G02B 26/10; G02B 13/001; G02B 13/0015; F21V 33/0064; F21V 33/0068; Y10T 307/766; Y10T 307/773; Y10T 307/891

See application file for complete search history.

(56) **References Cited**

U.S. PATENT DOCUMENTS

3,892,974 A 7/1975 Ellefson
3,978,318 A 8/1976 Romeo
3,985,999 A 10/1976 Yoneyama
4,058,708 A 11/1977 Sherer
D253,494 S 11/1979 Sit-Lae
4,465,926 A 8/1984 Apitz
4,471,218 A 9/1984 Culp
D275,956 S 10/1984 Culp
4,538,060 A 8/1985 Sakai
4,736,096 A 4/1988 Ushikubo
4,748,319 A 5/1988 Sasaki
D297,828 S 9/1988 Bromley
4,800,257 A 1/1989 Johner
4,935,610 A 6/1990 Wike, Jr.
4,947,261 A 8/1990 Ishikawa
D319,228 S 8/1991 Mori
D319,824 S 9/1991 Riddiford
D330,707 S 11/1992 Whitaker
D331,750 S 12/1992 Yang
5,256,866 A 10/1993 Conversano
D344,500 S 2/1994 Bruce
D347,187 S * 5/1994 Chou D10/78
5,319,184 A 6/1994 Gilpin
D351,465 S 10/1994 Stringer
D351,562 S * 10/1994 Moffatt D10/78
D370,940 S 6/1996 Stambolic
D375,789 S 11/1996 Bryant
D376,218 S 12/1996 Urquhart
D376,439 S 12/1996 Chai
5,602,380 A 2/1997 Bishay
D386,271 S 11/1997 Shiau
D389,915 S 1/1998 Emerson
5,709,662 A 1/1998 Olive
D394,317 S 5/1998 Carp
D396,463 S 7/1998 Nada
D406,581 S 3/1999 Bhatia
D406,779 S * 3/1999 Pinardi D10/104.1

D407,508 S 3/1999 Chiu
D408,853 S 4/1999 Hornsby
D413,401 S 8/1999 McDonald
5,939,702 A 8/1999 Knighton
5,955,719 A 9/1999 Southworth
D414,887 S 10/1999 McDonald
D415,115 S * 10/1999 Kawashima D13/168
D416,819 S 11/1999 Luebke
5,999,666 A 12/1999 Gobeli
6,006,994 A 12/1999 Plesko
D419,547 S 1/2000 Nada
D424,547 S 5/2000 Seachuga
6,058,304 A 5/2000 Callaghan
6,081,629 A 6/2000 Browning
6,104,845 A 8/2000 Lipman
D430,854 S * 9/2000 Vende D13/168
6,119,944 A 9/2000 Mulla
6,137,285 A * 10/2000 Walsten G01R 19/14
324/115
D433,416 S 11/2000 Strand
D433,752 S * 11/2000 Saravia D24/144
D434,683 S * 12/2000 Chang D10/78
D436,879 S * 1/2001 Deguchi D10/104.1
6,181,329 B1 * 1/2001 Stork G06F 3/03545
178/19.01
D439,613 S 3/2001 Ham
D440,165 S * 4/2001 Igelmund D10/78
6,211,662 B1 * 4/2001 Bijawat G01V 3/15
324/202
6,215,293 B1 * 4/2001 Yim G01V 3/15
324/326
D442,564 S * 5/2001 Ohkuma D13/168
D443,596 S * 6/2001 Ohkuma D13/168
6,249,113 B1 * 6/2001 Krantz G01V 3/15
324/67
D444,454 S * 7/2001 Hanna D14/138 R
6,259,241 B1 * 7/2001 Krantz G01V 3/15
324/156
D446,511 S * 8/2001 Kanno D14/167
D448,027 S * 9/2001 Jones D14/353
6,305,608 B1 10/2001 Nada
D449,995 S * 11/2001 Christianson D10/18
D450,675 S * 11/2001 Kim D14/138 R
D450,766 S 11/2001 Rosenbaum
D453,569 S 2/2002 Himbert
D457,513 S * 5/2002 Pirelli D14/223
D458,856 S * 6/2002 Prineppi D10/78
6,405,926 B1 6/2002 Yomogida
D460,074 S 7/2002 Ponnert
D461,730 S * 8/2002 Luebke D10/78
D462,022 S * 8/2002 Luebke D10/78
D464,034 S * 10/2002 Arpe D14/147
D471,976 S * 3/2003 Pavlu D24/112
D473,808 S 4/2003 Bainton
D476,734 S 7/2003 Pavlu
6,593,754 B1 * 7/2003 Steber G01N 27/24
324/228
D479,211 S * 9/2003 Siddoway D14/137
D479,325 S * 9/2003 Tyce D24/112
D479,598 S * 9/2003 Tyce D24/112
D479,746 S * 9/2003 Tyce D24/112
D479,834 S * 9/2003 Salazar D14/205
D479,842 S 9/2003 Liu
6,616,049 B1 9/2003 Barkan
6,650,534 B2 * 11/2003 Tree G06F 1/1626
345/157
D488,245 S 4/2004 McDonald
D491,300 S 6/2004 Cormier
6,752,317 B2 6/2004 Dymetman
D493,536 S * 7/2004 Jaeck D24/169
D494,298 S * 8/2004 Brent D26/49
D495,076 S 8/2004 Mandel
D497,215 S 10/2004 Shaljian
D497,640 S 10/2004 Qiu
D501,415 S * 2/2005 Seymour D10/78
D508,904 S * 8/2005 Schwald D14/155
6,945,666 B2 * 9/2005 Woolfson G01P 3/40
315/136

(56)

References Cited

U.S. PATENT DOCUMENTS

D517,586 S *	3/2006	Eroma	D16/212	D621,734 S	8/2010	Hills	
D520,160 S	5/2006	Lee		D623,223 S	9/2010	Chaffee	
D525,379 S	7/2006	Maxik		D624,963 S	10/2010	Liu	
D529,403 S *	10/2006	Liu	D10/65	D628,560 S *	12/2010	Bodley	D14/217
D529,618 S	10/2006	Travis		D628,917 S *	12/2010	Tian	D10/78
D530,233 S *	10/2006	Janky	D10/78	D630,359 S	1/2011	Kang	
D531,217 S	10/2006	Hirota		D632,673 S	2/2011	Isaias	
D531,334 S	10/2006	Lin		D633,142 S	2/2011	Chaffee	
7,161,578 B1 *	1/2007	Schneider	G02B 27/20 345/156	D633,814 S *	3/2011	Nishiyama	D10/81
				D642,564 S *	8/2011	Busri	D10/78
D537,965 S	3/2007	Lee		D645,181 S	9/2011	Garcia	
7,193,405 B2 *	3/2007	Murray	G01V 3/15 324/326	D648,729 S *	11/2011	Beekley	D14/480.5
				8,048,035 B2	11/2011	Mesa	
D539,687 S	4/2007	Chen		D650,070 S	12/2011	Mori	
D540,968 S	4/2007	Lee		D650,860 S	12/2011	Wu	
D541,960 S	5/2007	Rothman		D652,919 S	1/2012	Sherwood	
D542,796 S	5/2007	Chan		D655,212 S *	3/2012	Wong	D10/78
D543,300 S	5/2007	Lee		D655,342 S	3/2012	Ariga	
D544,619 S	6/2007	Lee		D658,183 S	4/2012	Avery	
D544,973 S	6/2007	Lee		D660,359 S	5/2012	Ariga	
D545,439 S	6/2007	Draudt		8,179,563 B2	5/2012	King	
D547,474 S *	7/2007	Chen	D26/37	D661,353 S	6/2012	Ariga	
D547,800 S	7/2007	Gallay		D670,581 S *	11/2012	Matuschek	D10/70
7,237,340 B2	7/2007	Johnson		D670,698 S	11/2012	Åhman	
7,237,341 B2 *	7/2007	Murray	G01C 9/06 33/286	D673,314 S	12/2012	Levinger	
				D674,795 S	1/2013	Wilson	
D549,370 S	8/2007	Lee		8,352,041 B2 *	1/2013	Das	G08C 19/00 604/131
D549,371 S	8/2007	Lee					
D550,386 S	9/2007	Lee		8,357,107 B2 *	1/2013	Draudt	A61B 5/14532 600/584
D553,030 S *	10/2007	Botte	D10/78				
D553,275 S	10/2007	Campbell		D676,049 S	2/2013	Lee	
D556,619 S	12/2007	Markfelder		D677,380 S	3/2013	Julian	
7,312,603 B2 *	12/2007	Luo	G01R 1/06788 324/117 R	D679,400 S *	4/2013	Hiramura	D24/169
				D679,708 S	4/2013	Li	
D560,007 S	1/2008	McMillan		D681,012 S	4/2013	Fei	
D562,898 S	2/2008	Allen, Jr.		D681,839 S *	5/2013	Nathanson	D24/200
D564,023 S *	3/2008	Windorski	D19/134	D683,248 S *	5/2013	Marzynski	D10/78
D564,684 S	3/2008	Leung		D685,809 S *	7/2013	Billington	D14/480.7
D565,215 S	3/2008	Lee		D686,475 S	7/2013	Wu	
D567,852 S *	4/2008	Qiu	D19/163	D686,621 S	7/2013	Pawlus	
D570,019 S	5/2008	Lee		D688,784 S *	8/2013	Schneider	D24/108
D570,020 S	5/2008	Jen		D690,303 S	9/2013	Avery	
D571,240 S	6/2008	Chun		D693,331 S	11/2013	Kim	
D574,381 S	8/2008	Chan		D694,879 S	12/2013	Julian	
D576,209 S	9/2008	Huang		D696,223 S *	12/2013	Will	D14/155
D576,674 S	9/2008	Tseng		D696,775 S	12/2013	Guarraia	
D580,805 S *	11/2008	Lagerberg	D10/78	D697,205 S	1/2014	Schneider	
D581,461 S	11/2008	Li		D700,342 S *	2/2014	Hiramura	D24/169
D584,842 S	1/2009	Sham		D702,848 S	4/2014	Mendoza	
D588,696 S	3/2009	Mantle		D706,148 S *	6/2014	Wingate	D10/62
D594,130 S	6/2009	Scocimara		D709,070 S	7/2014	Leung	
D595,438 S	6/2009	Duszynski		D709,886 S	7/2014	Lin	
D595,719 S	7/2009	Hu		8,767,269 B2	7/2014	Suen	
D598,543 S	8/2009	Vogel		D710,445 S	8/2014	Wu	
D600,148 S *	9/2009	Disch	D10/78	D719,162 S	12/2014	Albers	
D600,349 S *	9/2009	Bell	D24/169	D721,289 S *	1/2015	Wingate	D10/62
D600,575 S *	9/2009	Janky	D10/78	D721,605 S *	1/2015	Sallander	D10/78
D601,193 S	9/2009	Li		D724,968 S *	3/2015	Wingate	D10/62
D601,625 S	10/2009	Yeh		D726,042 S *	4/2015	Wingate	D10/62
D602,494 S *	10/2009	Lannon	D14/480.5	D728,020 S	4/2015	Suzuki	
7,633,282 B2 *	12/2009	Radle	G01R 31/045 324/508	D728,685 S	5/2015	Suzuki	
				D733,319 S *	6/2015	Somers	D24/231
D608,005 S *	1/2010	Oohashi	D24/169	9,061,109 B2 *	6/2015	Wood	A61M 5/427
D609,743 S	2/2010	Kohn		D735,322 S	7/2015	Tyce	
D613,738 S	4/2010	Daniel		D739,278 S *	9/2015	Payne	D10/78
D613,742 S	4/2010	Avery		D740,144 S *	10/2015	Lamer	D10/78
D614,628 S	4/2010	Taylor		D743,594 S	11/2015	Scazziga	
D616,125 S	5/2010	Kang		D748,245 S	1/2016	Petersen	
D617,225 S *	6/2010	Marzynski	D10/78	D753,291 S	4/2016	Ratjen	
D617,797 S	6/2010	Moon		D757,851 S *	5/2016	Nichols	D19/163
D619,174 S	7/2010	Yeh		9,372,969 B1	6/2016	Daniel	
D619,579 S	7/2010	Flores Rodrigues Vieira		9,377,878 B2 *	6/2016	Peralta	G06F 3/03545
D620,163 S	7/2010	Kang		D761,434 S *	7/2016	Nelson	D24/186
D620,490 S	7/2010	Avery		D761,768 S	7/2016	Klein	
				D764,657 S	8/2016	Bokelman	
				D767,187 S	9/2016	Hine	
				D769,442 S *	10/2016	Nasir	D24/110.5
				D771,048 S	11/2016	Martindale	
				D773,649 S	12/2016	Wohlfahrt	

(56)

References Cited

U.S. PATENT DOCUMENTS

D784,336 S 4/2017 Nishizawa
 D785,093 S 4/2017 Hsu
 D786,423 S 5/2017 Jones
 D786,872 S 5/2017 Akers, Jr.
 D787,047 S 5/2017 Bainton
 9,665,758 B1* 5/2017 Suman G06K 7/10881
 D788,909 S 6/2017 Ratjen
 D790,546 S* 6/2017 Zhou D14/426
 D791,941 S 7/2017 Burachynsky
 D792,578 S 7/2017 Jones
 D794,790 S 8/2017 Shi
 D794,854 S* 8/2017 Zepter D24/200
 9,727,769 B2* 8/2017 Oberpriller G06K 7/10891
 D797,107 S 9/2017 Volta
 D799,033 S 10/2017 Ashman-Stauss
 D802,751 S 11/2017 Ratjen
 9,839,347 B2 12/2017 Chandler
 D817,331 S* 5/2018 Volta D14/431
 D820,263 S* 6/2018 Rebello D14/426
 2002/0145048 A1 10/2002 Liou
 2003/0028688 A1* 2/2003 Tiphane G02B 27/20
 710/1
 2003/0039411 A1 2/2003 Nada
 2004/0000918 A1* 1/2004 Sanoner G01V 3/088
 324/671
 2004/0100663 A1 5/2004 Piszczak
 2005/0009388 A1* 1/2005 Chao H01R 13/447
 439/135
 2005/0083315 A1 4/2005 Pei
 2005/0131291 A1* 6/2005 Floyd A61B 17/3403
 600/424
 2005/0237736 A1 10/2005 Wimsatt
 2006/0030908 A1 2/2006 Powell
 2006/0109262 A1 5/2006 Yeh
 2006/0139861 A1* 6/2006 Krieger F21L 4/027
 361/679.32
 2006/0151610 A1 7/2006 Chiang

2006/0223369 A1* 10/2006 Zheng H01R 35/00
 439/607.01
 2006/0257195 A1 11/2006 Chen
 2006/0283962 A1 12/2006 Silverstein
 2007/0210785 A1* 9/2007 Sanoner G01R 29/085
 324/67
 2008/0062152 A1 3/2008 Byler
 2009/0002346 A1 1/2009 Henning
 2009/0133705 A1 5/2009 Smith
 2010/0060968 A1 3/2010 Lee
 2011/0098781 A1* 4/2011 Mantle A61N 1/36021
 607/46
 2011/0101053 A1* 5/2011 Liang A45F 5/02
 224/254
 2011/0146696 A1 6/2011 Dipple
 2013/0001313 A1 1/2013 Denniston, Jr.
 2014/0012229 A1 1/2014 Bokelman
 2014/0148763 A1 5/2014 Karlsson
 2014/0204223 A1 7/2014 Lin
 2016/0314678 A1 10/2016 Hsieh

OTHER PUBLICATIONS

Unitech Electronics Co.Ltd., Wireless Scanner MS912 Quick Reference Guide, v. 1.0, (undated, accessed on Jun. 29, 2016 at http://us.ute.com/products_info.php?pc1=49&pc2=354&rbu=5&pid=1278), pp. 1-14.
 Unitech Electronics Co.Ltd., Wireless (BT) Pocket Laser Scanner MS916 User's Manual, v. 1.0, (2015), pp. 1-102.
 Unitech Electronics Co.Ltd., Wireless Pocket 2D Imager Scanner MS920 User's Manual, v. 2.0, (2014), pp. 1-118.
 Zebra Technologies, Corp., CS4070 Scanner Product Reference Guide, Revision A, (Sep. 2015), pp. 1-254.
 Zebra Technologies, Corp., CS3000 Scanner Product Reference Guide, Revision A, (Sep. 2015), pp. 1-42.
 Zebra Technologies, Corp., CS1504 Consumer Memory Scanner Owner's Guide, (Jan. 2015), pp. 1-2.

* cited by examiner

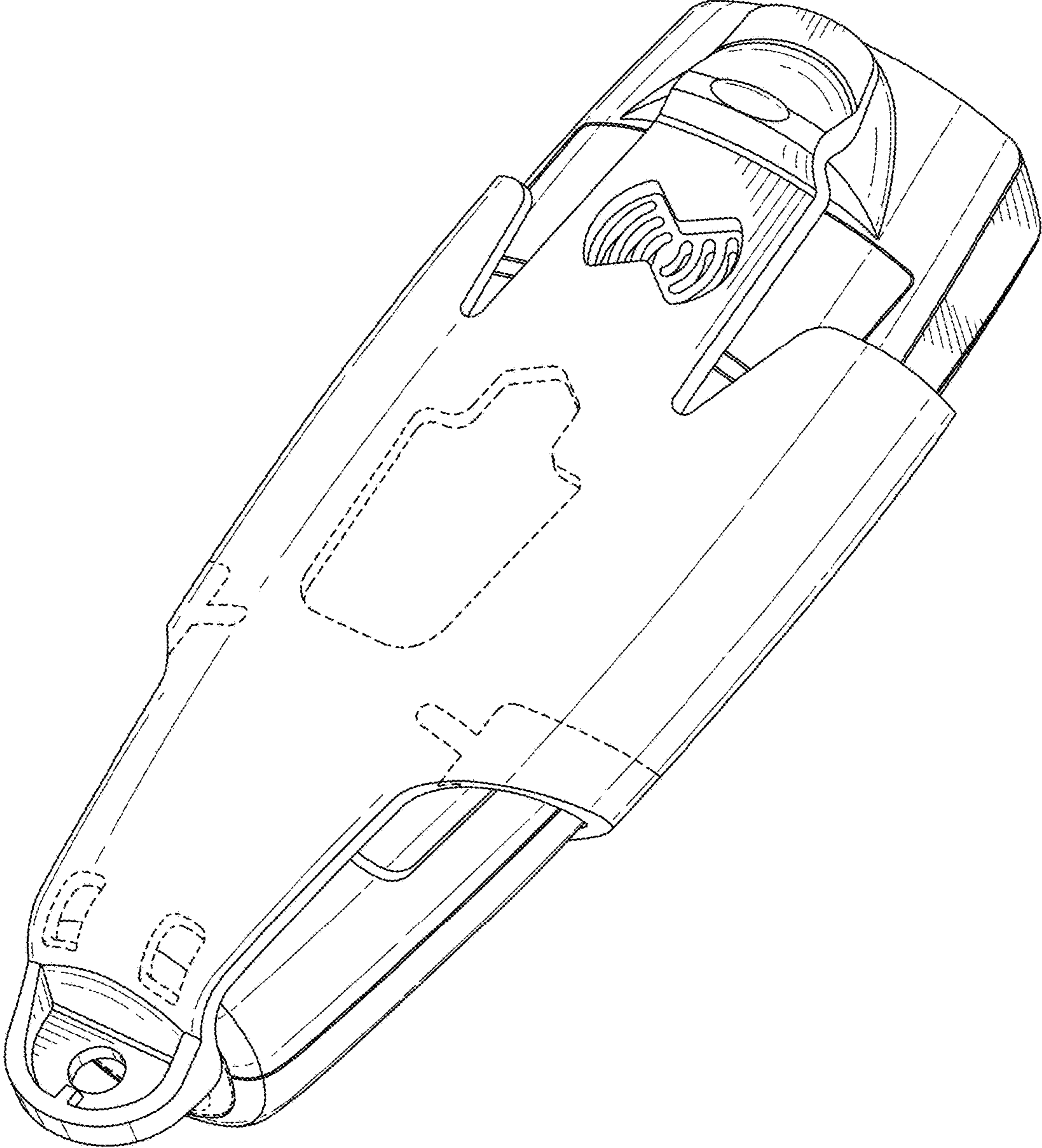


FIG. 1

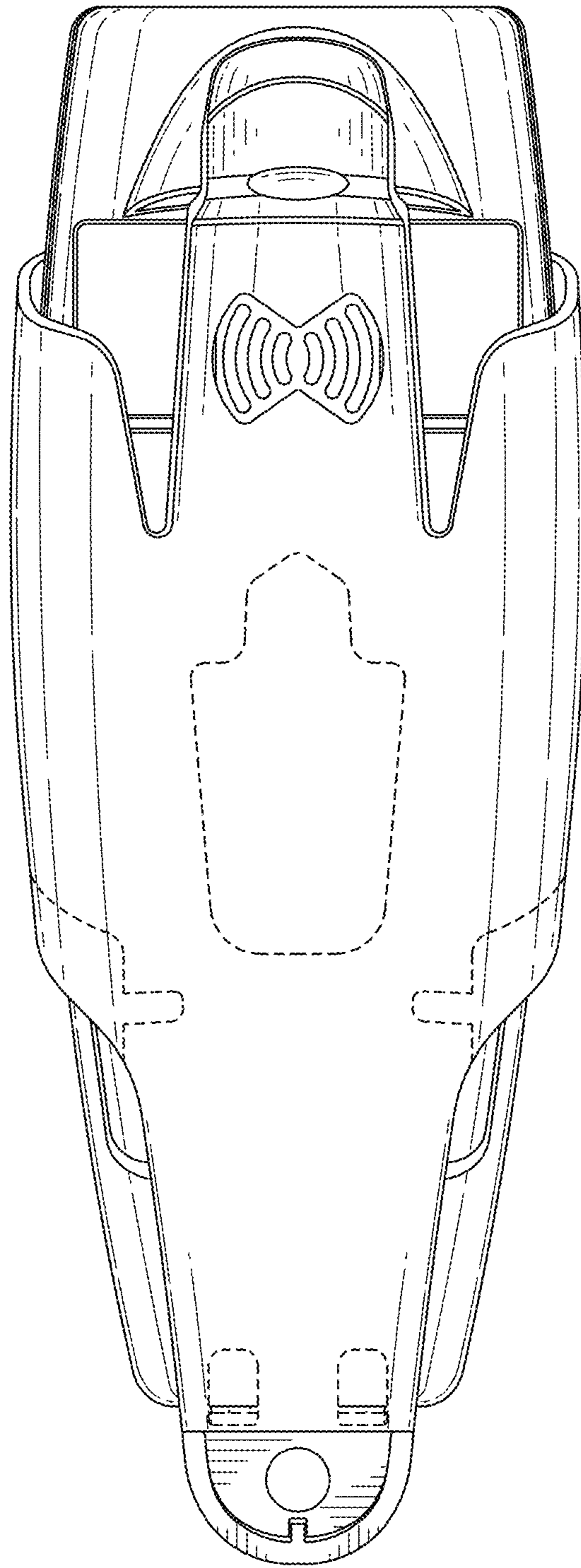


FIG. 2

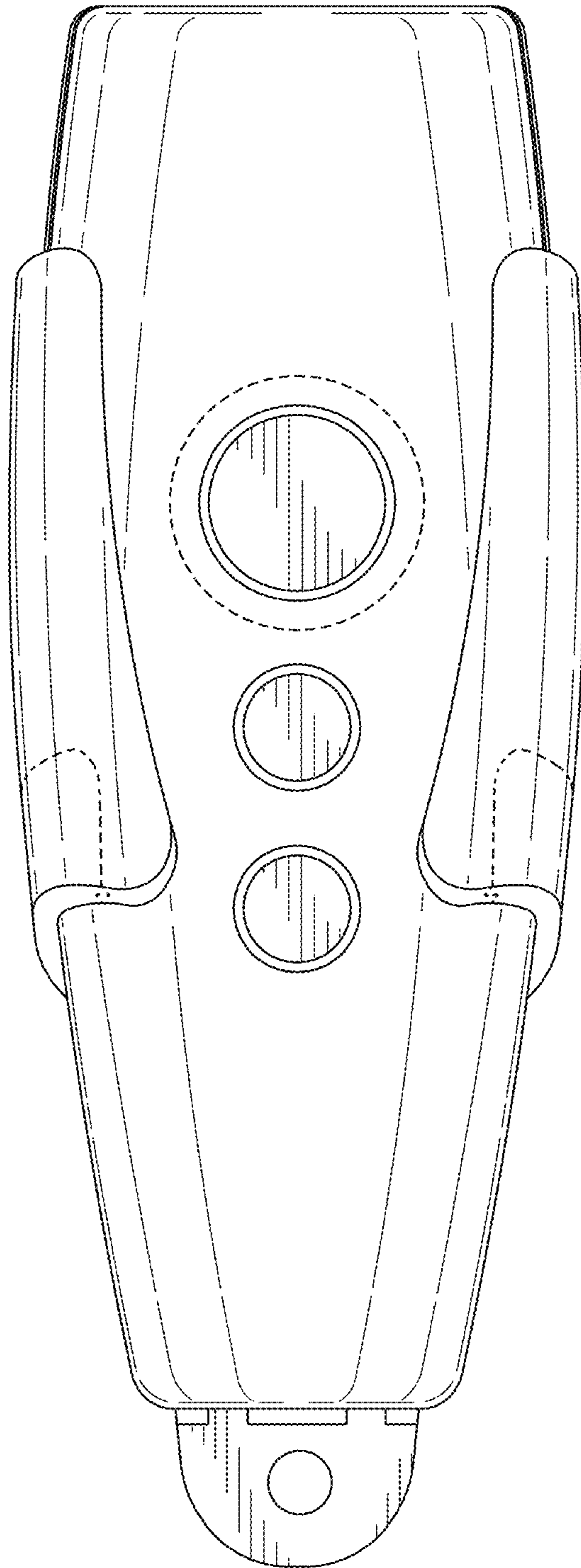


FIG. 3

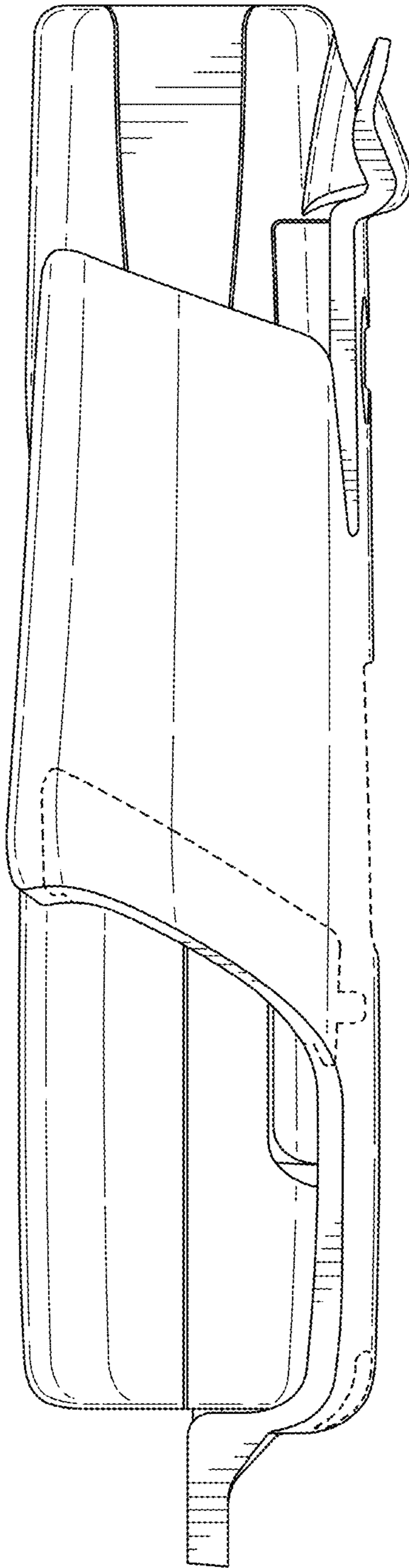


FIG. 4

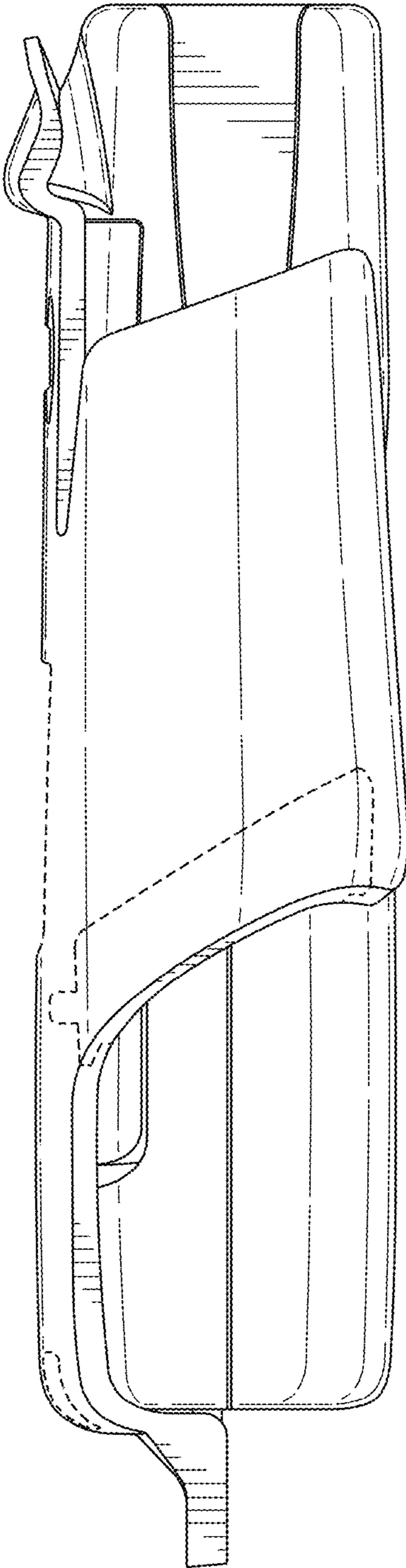


FIG. 5

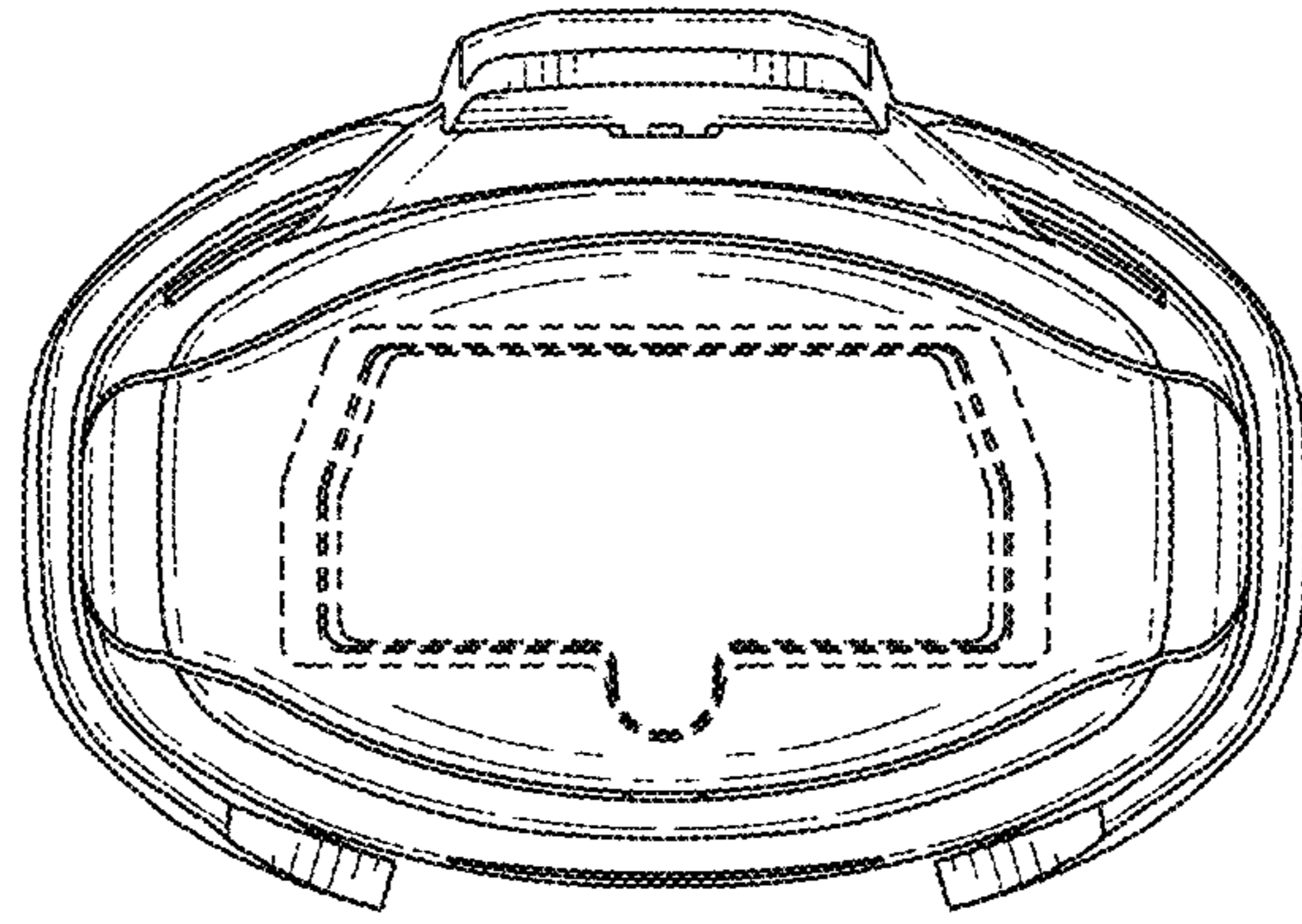


FIG. 6

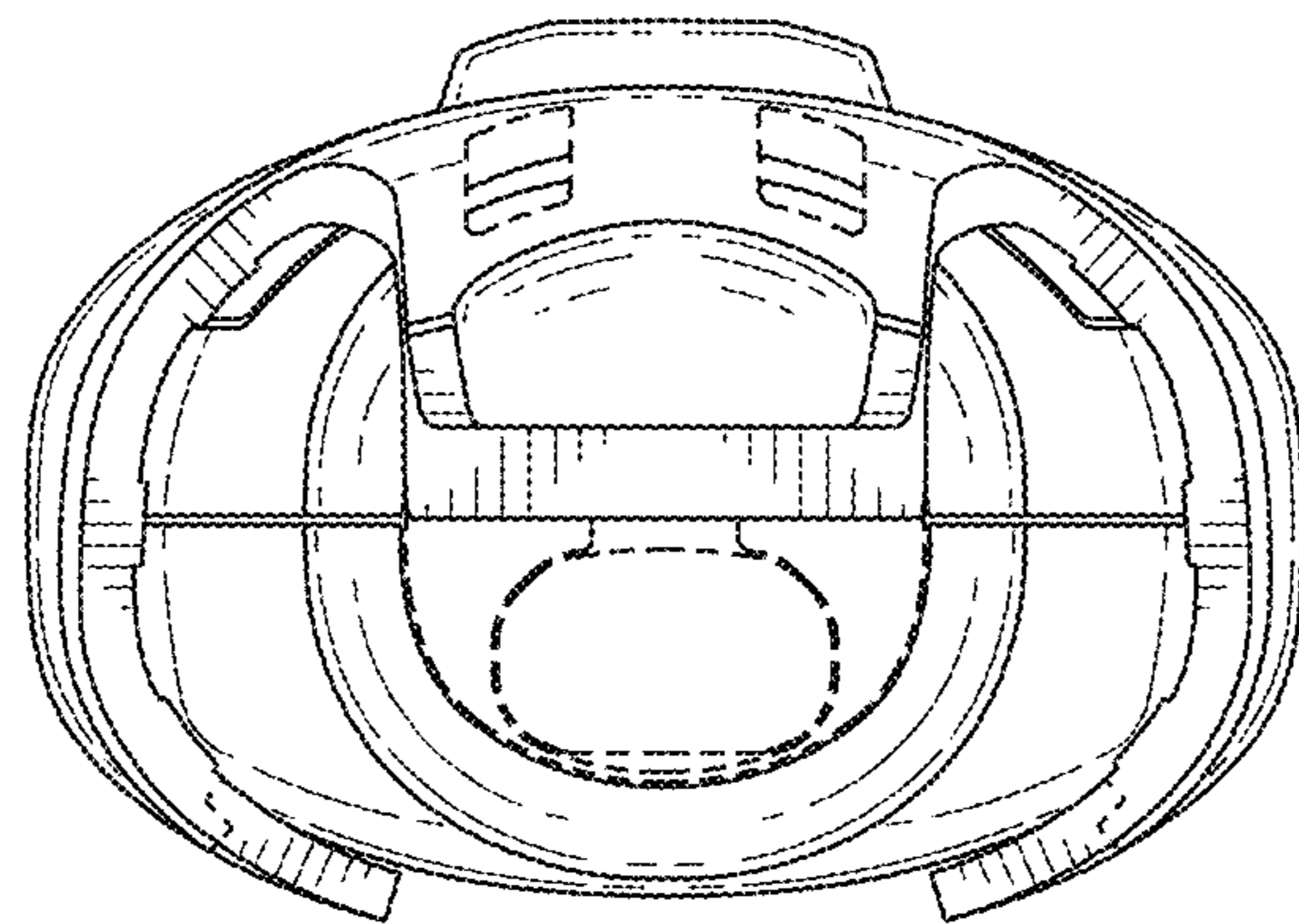


FIG. 7