



US00D836637S

(12) **United States Design Patent** (10) **Patent No.:** **US D836,637 S**
Lu (45) **Date of Patent:** **** Dec. 25, 2018**

(54) **MINI KEYBOARD**

(71) Applicant: **Yan Lu**, Shenzhen (CN)

(72) Inventor: **Yan Lu**, Shenzhen (CN)

(**) Term: **15 Years**

(21) Appl. No.: **29/599,089**

(22) Filed: **Mar. 30, 2017**

(30) **Foreign Application Priority Data**

Nov. 2, 2016 (CN) 2016 3 0527466

(51) **LOC (11) Cl.** **14-02**

(52) **U.S. Cl.**
USPC **D14/398**

(58) **Field of Classification Search**

USPC D14/455, 456, 315-327, 391-399;
D21/324, 329, 331, 332; D18/1, 2, 7, 11

CPC G06F 1/16; G06F 1/162; G06F 1/1616;
G06F 1/1618; G06F 1/1626; G06F

1/1632; G06F 1/1613; G06F 1/1601;
G06F 3/0221; G06F 3/0216; G09B 13/04;

G09G 5/00; H01R 35/02; H03M 11/00;
H03K 17/94; H05K 5/00; H04M 1/0237;

H01H 13/14; H01H 13/84; F16M 11/10;
B41J 5/00; B41J 5/10; B41J 5/12

See application file for complete search history.

(56) **References Cited**

U.S. PATENT DOCUMENTS

D541,798 S * 5/2007 Ichida D13/162.1
D580,936 S * 11/2008 Meyer D14/391
D613,341 S * 4/2010 Mar D14/203.7
D677,184 S * 3/2013 Kluser D10/78
D726,047 S * 4/2015 Laurino H04W 88/005
D10/78
D730,847 S * 6/2015 Weiss D13/168

* cited by examiner

Primary Examiner — Freda S Nunn

(57) **CLAIM**

The ornamental design for a mini keyboard, as shown and described.

DESCRIPTION

FIG. 1 is perspective view of the mini keyboard showing the new design;

FIG. 2 is a top view thereof;

FIG. 3 is a bottom view thereof;

FIG. 4 is a left side view thereof;

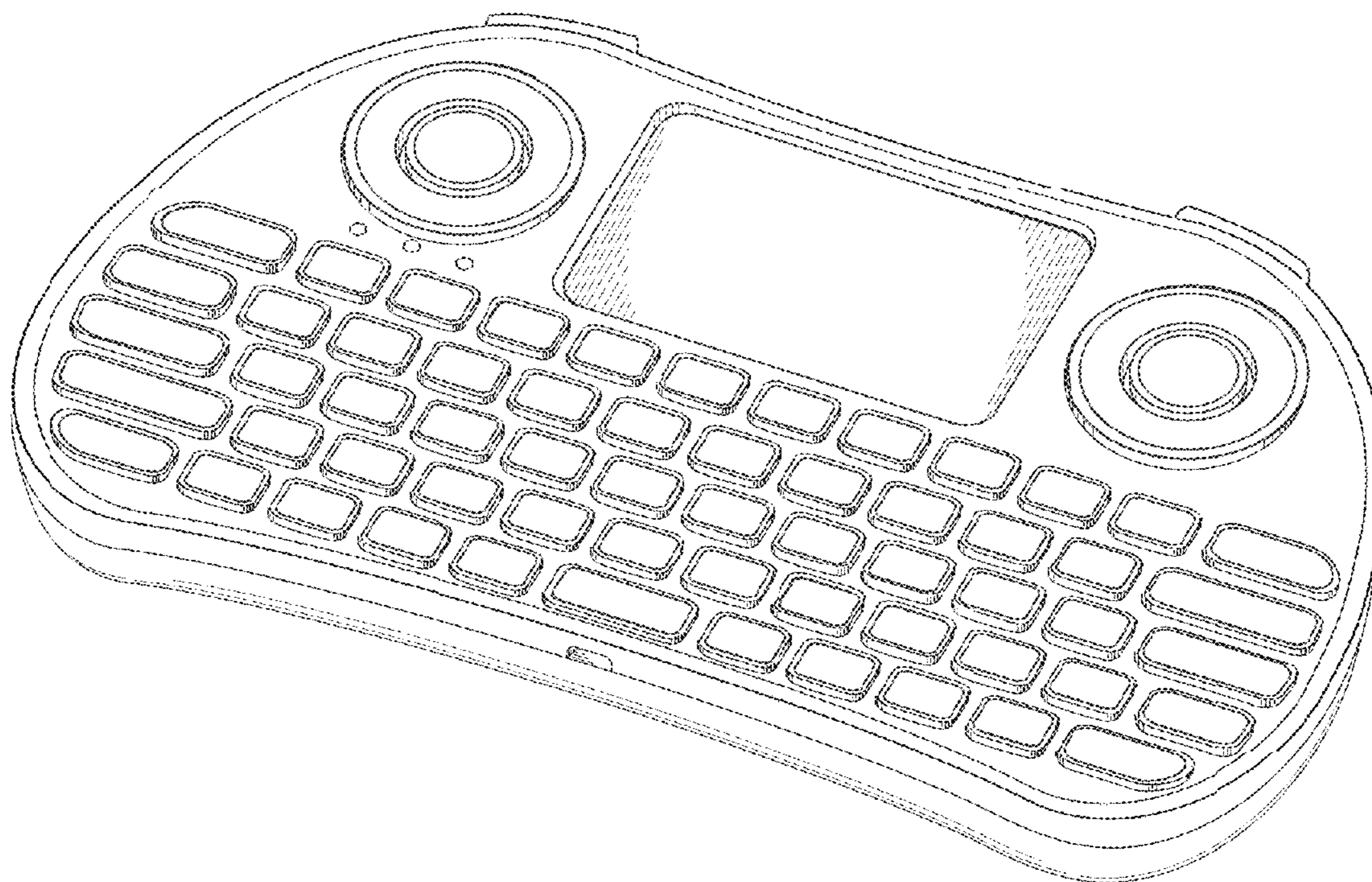
FIG. 5 is a right side view thereof.

FIG. 6 is a rear view thereof; and,

FIG. 7 is a front view thereof.

The shade lines in the Figures show contour and not surface ornamentation. The broken lines in the Figures show portions of the mini keyboard which form no part of the claimed design.

1 Claim, 3 Drawing Sheets



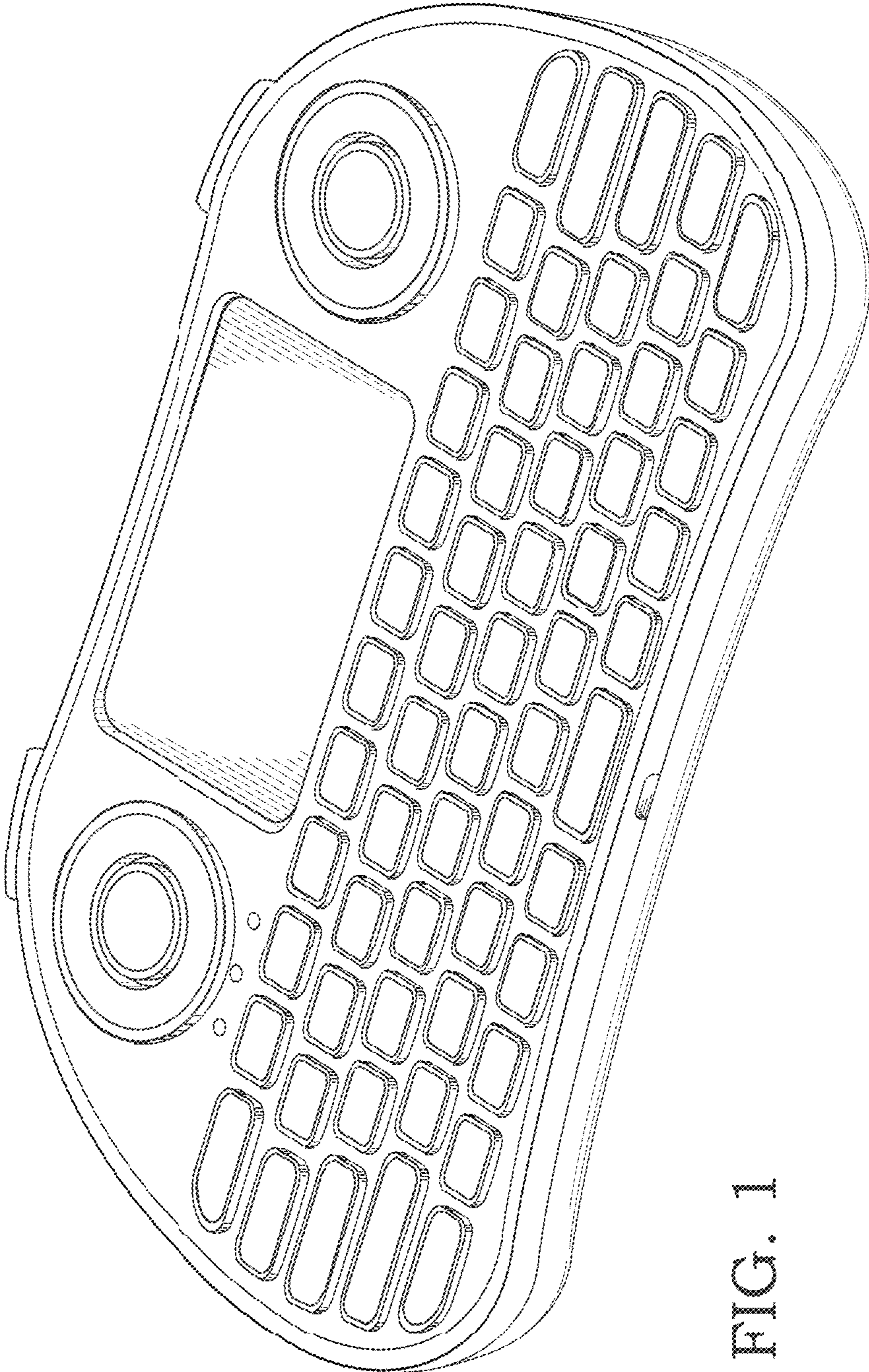


FIG. 1

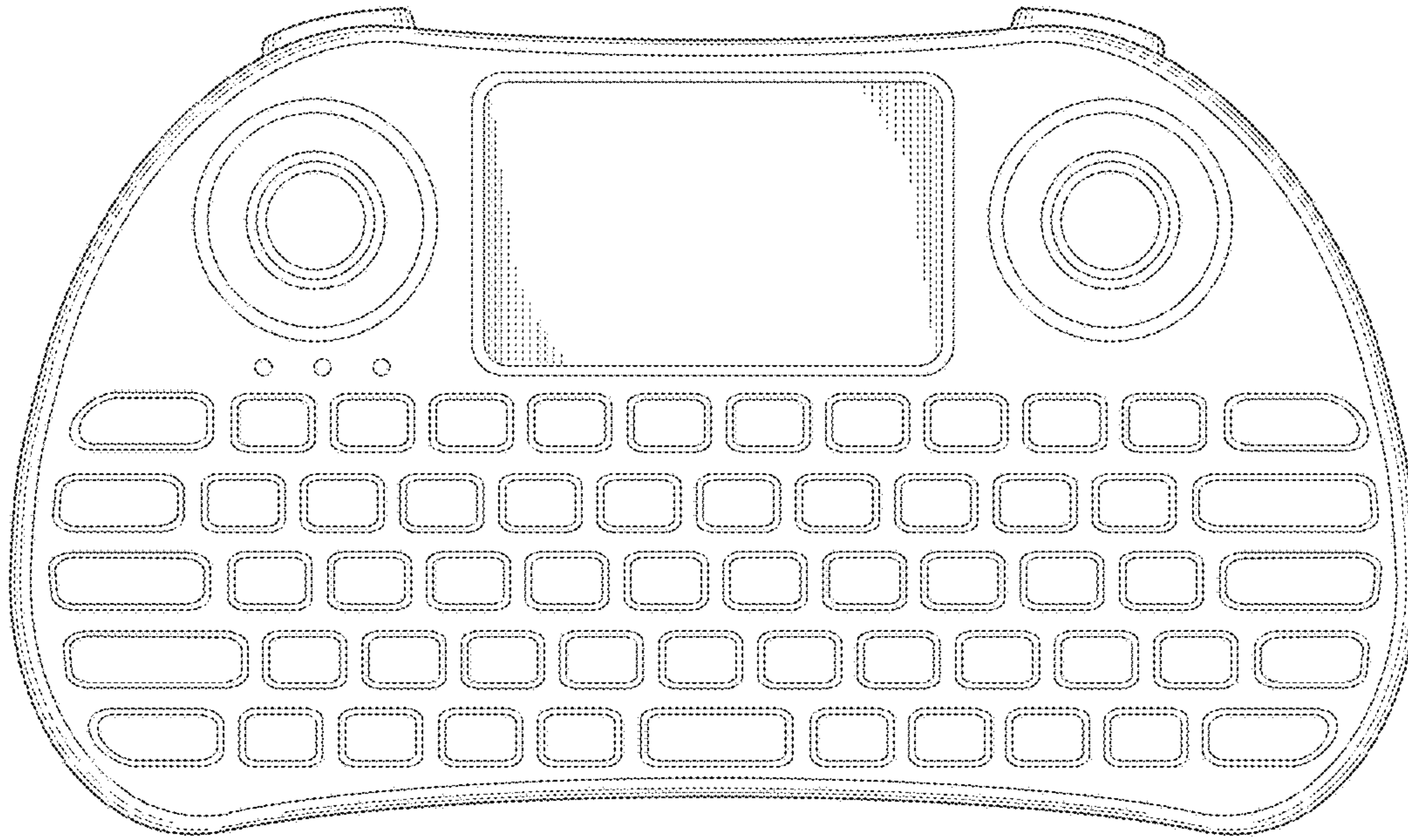


FIG. 2

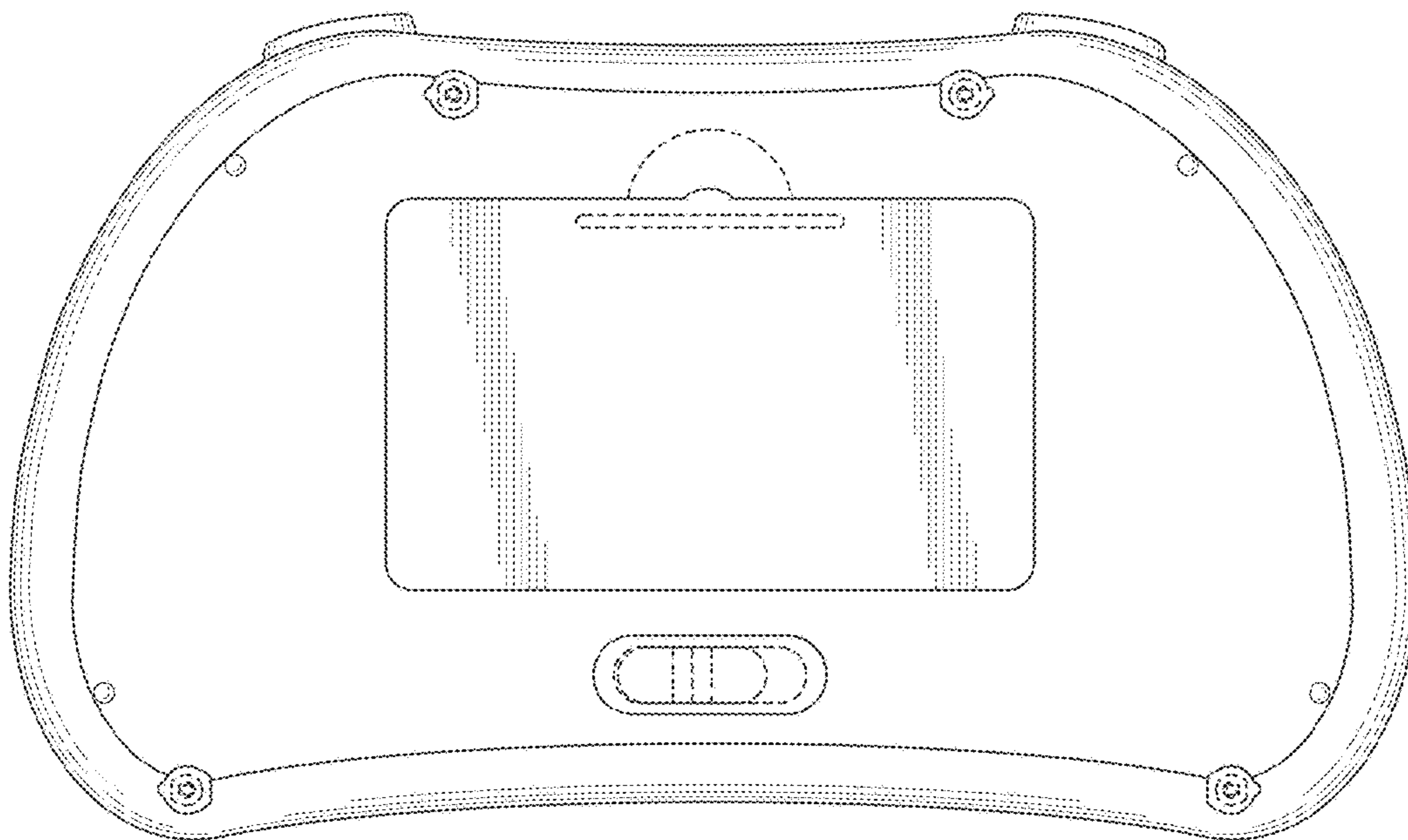


FIG. 3

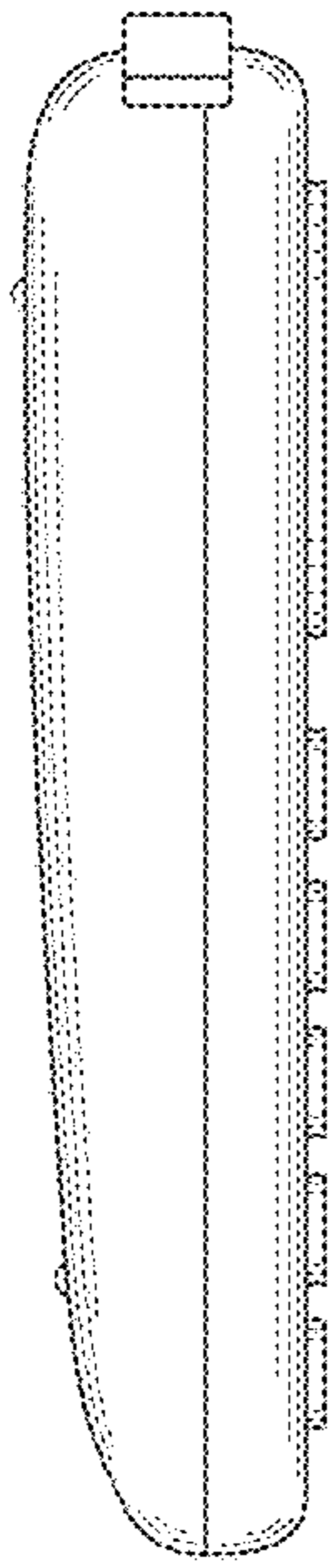


FIG. 4

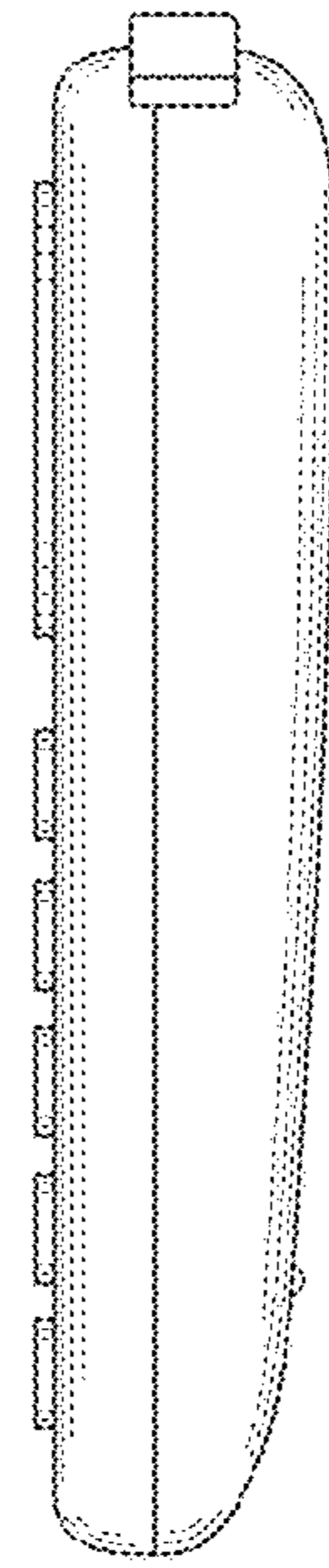


FIG. 5

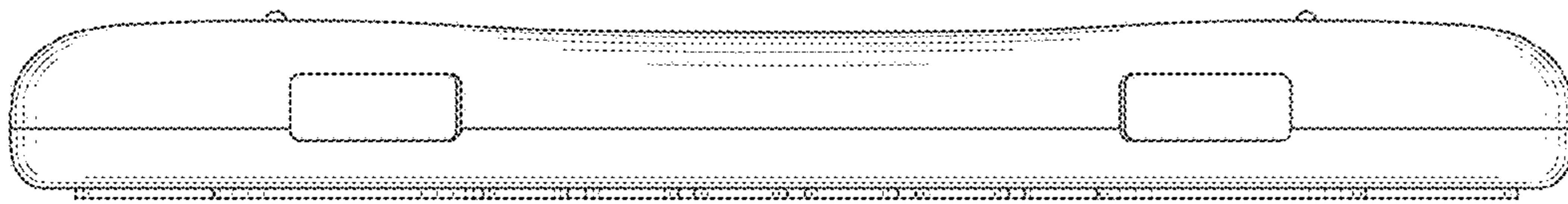


FIG. 6

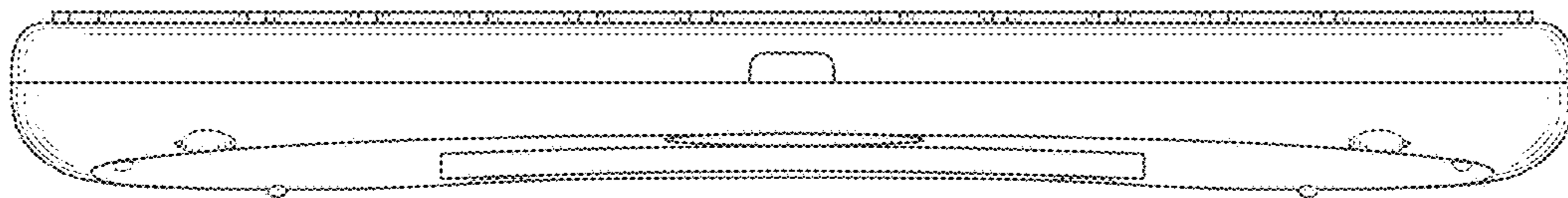


FIG. 7