



US00D836633S

(12) **United States Design Patent**  
**Natsume et al.**

(10) **Patent No.:** **US D836,633 S**  
(45) **Date of Patent:** **\*\* Dec. 25, 2018**

(54) **HEAD MOUNTED AUDIO-VISUAL DISPLAY SYSTEM**

(71) Applicant: **MAGIC LEAP, INC.**, Plantation, FL (US)

(72) Inventors: **Shigeru Natsume**, Weston, FL (US); **Bradley Fraser**, Miami Beach, FL (US); **Haney Awad**, Fort Lauderdale, FL (US); **Sebastian Gonzalo Arrieta Günther**, Fort Lauderdale, FL (US); **Masamune Kaji**, Plantation, FL (US); **William Wheeler**, Los Angeles, CA (US)

(73) Assignee: **Magic Leap, Inc.**, Plantation, FL (US)

(\*\*) Term: **15 Years**

(21) Appl. No.: **29/647,019**

(22) Filed: **May 9, 2018**

**Related U.S. Application Data**

(63) Continuation of application No. 29/621,011, filed on Oct. 3, 2017.

(51) **LOC (11) Cl.** ..... **14-02**

(52) **U.S. Cl.**  
USPC ..... **D14/372**

(58) **Field of Classification Search**  
USPC ..... D14/372, 496, 432, 371, 125, 126, 129, D14/299; D16/300-342; 351/158, 153,  
(Continued)

(56) **References Cited**

**U.S. PATENT DOCUMENTS**

D433,023 S \* 10/2000 Pinchuk ..... D14/372  
D521,493 S \* 5/2006 Wai ..... D14/205

(Continued)

**OTHER PUBLICATIONS**

Notice of Allowance dated Jul. 31, 2018 for Design U.S. Appl. No. 29/650,868, 12 pages.

(Continued)

*Primary Examiner* — Austin Murphy

(74) *Attorney, Agent, or Firm* — Vista IP Law Group LLP

(57) **CLAIM**

We claim the ornamental design for a head mounted audio-visual display system, as shown and described.

**DESCRIPTION**

FIG. 1 is a left front perspective view of a head mounted audio-visual display system in a closed configuration showing our design;

FIG. 2 is a right rear perspective view thereof in the closed configuration;

FIG. 3 is a front view thereof in the closed configuration;

FIG. 4 is a rear view thereof in the closed configuration;

FIG. 5 is a right view thereof in the closed configuration;

FIG. 6 is a left view thereof in the closed configuration;

FIG. 7 is a top view thereof in the closed configuration;

FIG. 8 is a bottom view thereof in the closed configuration;

FIG. 9 is a left front perspective view thereof in an open configuration;

FIG. 10 is a right front perspective view thereof in the open configuration;

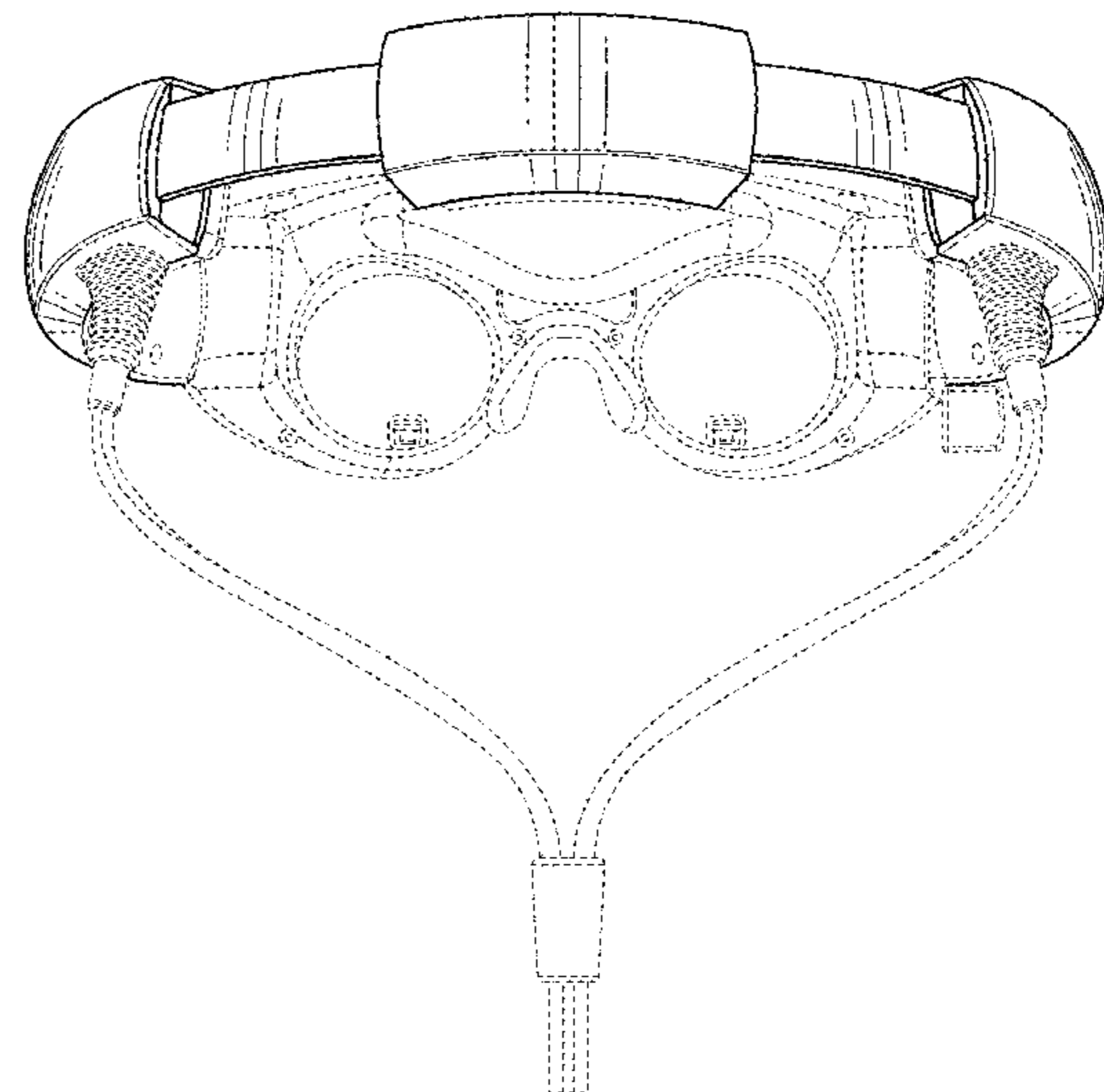
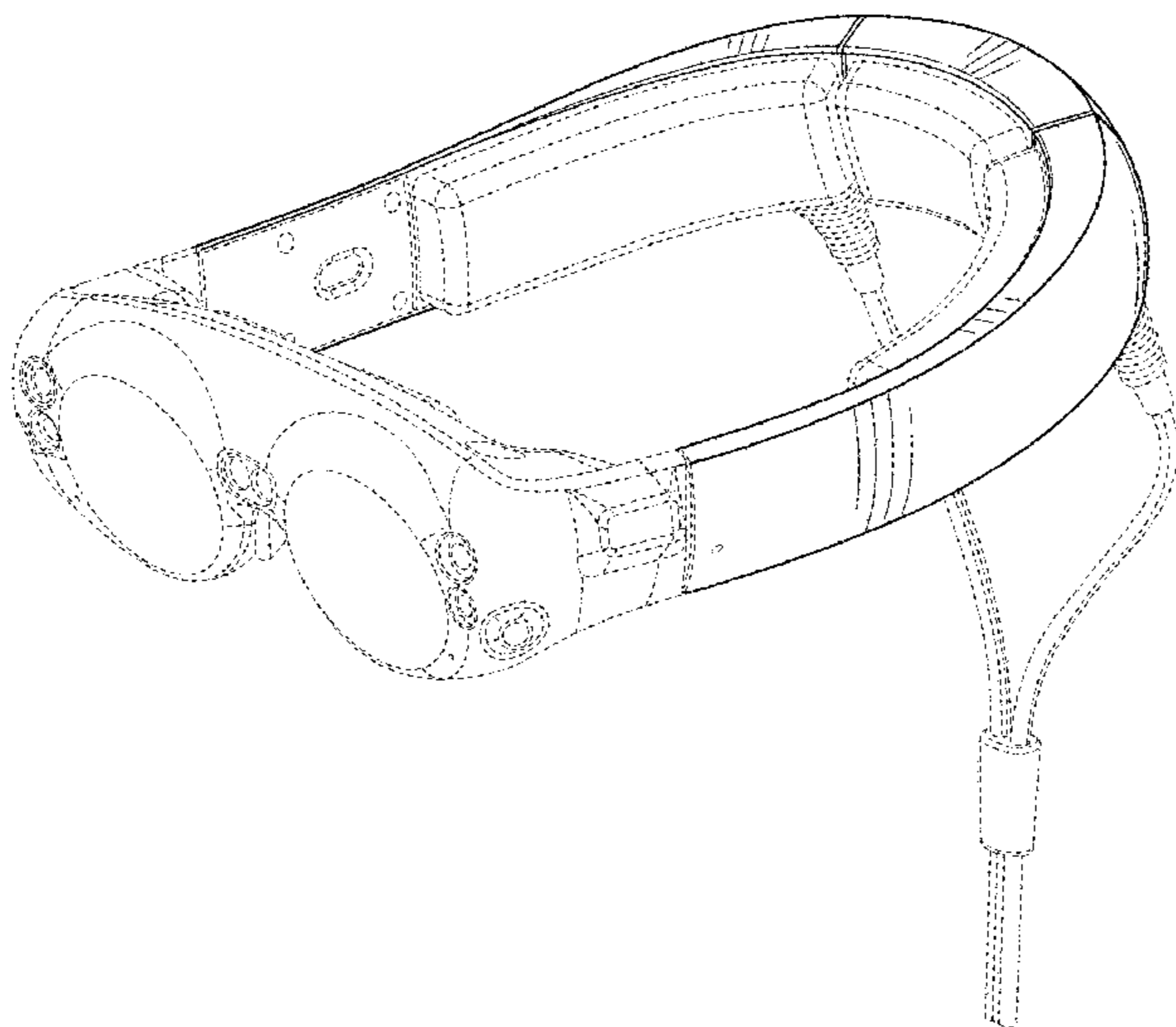
FIG. 11 is a left view thereof in the open configuration;

FIG. 12 is a top view thereof in the open configuration; and,

FIG. 13 is a rear view thereof in the open configuration.

The broken lines depicting various portions of the head mounted audio-visual display system are included for the purpose of illustrating environmental structure and form no part of the claimed design.

**1 Claim, 13 Drawing Sheets**



(58) **Field of Classification Search**

USPC ..... 351/144; 345/7-9, 905; 455/344;  
348/115, 53, 121, 739  
CPC ..... G02B 27/017; G02B 27/0158; G02B  
27/0161; G02B 27/0181; G02B 27/0185;  
G02B 27/0189

See application file for complete search history.

D807,882 S 1/2018 Gribetz et al.  
D810,743 S 2/2018 Yee et al.  
D812,612 S 3/2018 Gribetz et al.  
D815,092 S \* 4/2018 Liao ..... D14/372  
D819,636 S 6/2018 Chen et al.  
D819,637 S 6/2018 Chen et al.  
D820,258 S \* 6/2018 Maw ..... D14/372

(56)

**References Cited**

U.S. PATENT DOCUMENTS

D669,471 S \* 10/2012 Hwang ..... D14/372  
D704,704 S \* 5/2014 Tatara ..... D14/372  
D757,007 S \* 5/2016 Cazalet ..... D14/372  
D776,111 S 1/2017 Baldassi et al.  
D780,752 S 3/2017 Park et al.  
D781,290 S 3/2017 Kim et al.  
D792,400 S \* 7/2017 Osterhout ..... D14/372  
D796,503 S \* 9/2017 Natsume ..... D14/372  
D796,504 S \* 9/2017 Natsume ..... D14/372  
D796,505 S \* 9/2017 Natsume ..... D14/372  
D796,506 S \* 9/2017 Natsume ..... D14/372  
D797,733 S \* 9/2017 Lee ..... D14/372  
D797,735 S \* 9/2017 Fraser ..... D14/372  
D798,862 S 10/2017 Wang  
D799,482 S 10/2017 Thomas  
D800,727 S \* 10/2017 Mullins ..... D14/372  
D805,072 S 12/2017 Seki  
D805,073 S 12/2017 Yee et al.  
D806,710 S 1/2018 Chen et al.

OTHER PUBLICATIONS

Notice of Allowance dated Jul. 31, 2018 for Design U.S. Appl. No.  
29/650,872, 12 pages.  
Notice of Allowance dated Jul. 31, 2018 for Design U.S. Appl. No.  
29/653,570, 8 pages.  
Notice of Allowance dated Jul. 31, 2018 for Design U.S. Appl. No.  
29/653,573, 8 pages.  
Notice of Allowance dated Jul. 31, 2018 for Design U.S. Appl. No.  
29/653,575, 8 pages.  
Design application specification and drawings for U.S. Appl. No.  
29/584,739, filed Nov. 16, 2016, Inventor Michael Slipy, entitled  
“Head Mounted Audio-Visual Display System” 9 pages.  
Design application specification and drawings for U.S. Appl. No.  
29/603,737, filed May 11, 2016, Inventor David Charles Lundmark,  
et al., entitled “Head Mounted Audio-Visual Display System Con-  
nection Cable” 25 pages.  
Design application specification and drawings for U.S. Appl. No.  
29/575,027, filed Aug. 22, 2016, Inventor Bradley Fraser, et al.,  
entitled “Mixed Reality Head Mounted Display” 9 pages.

\* cited by examiner

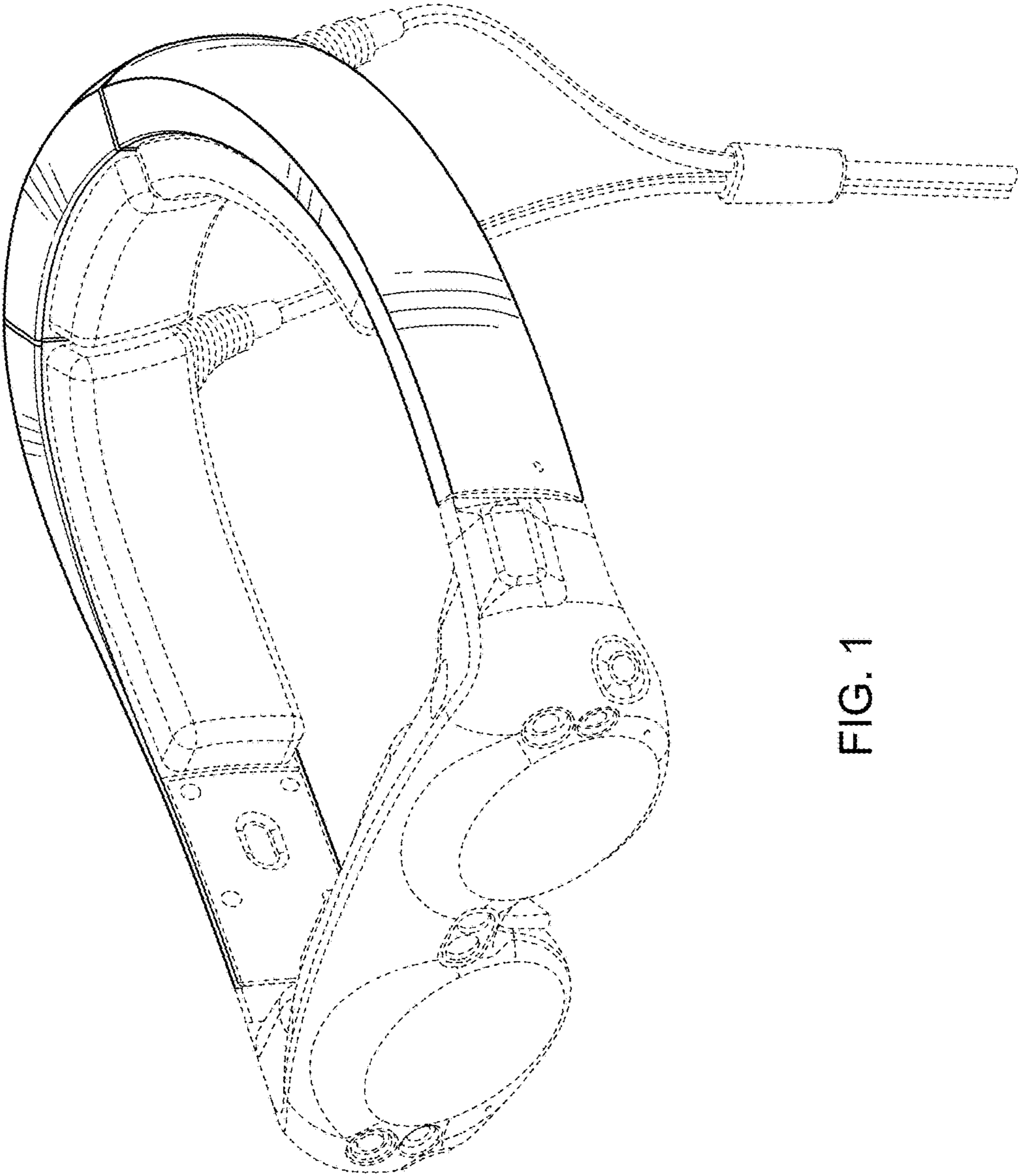


FIG. 1

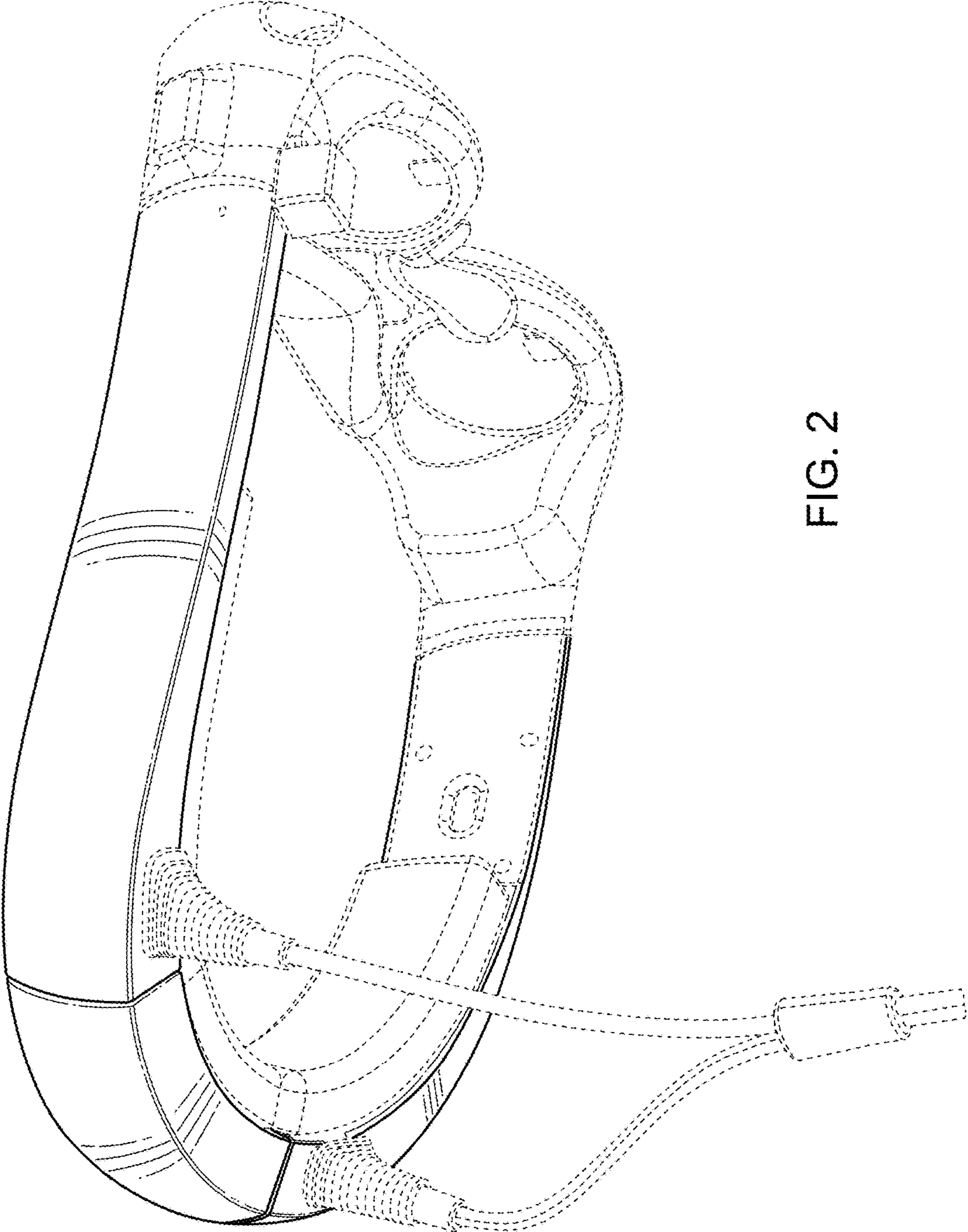


FIG. 2

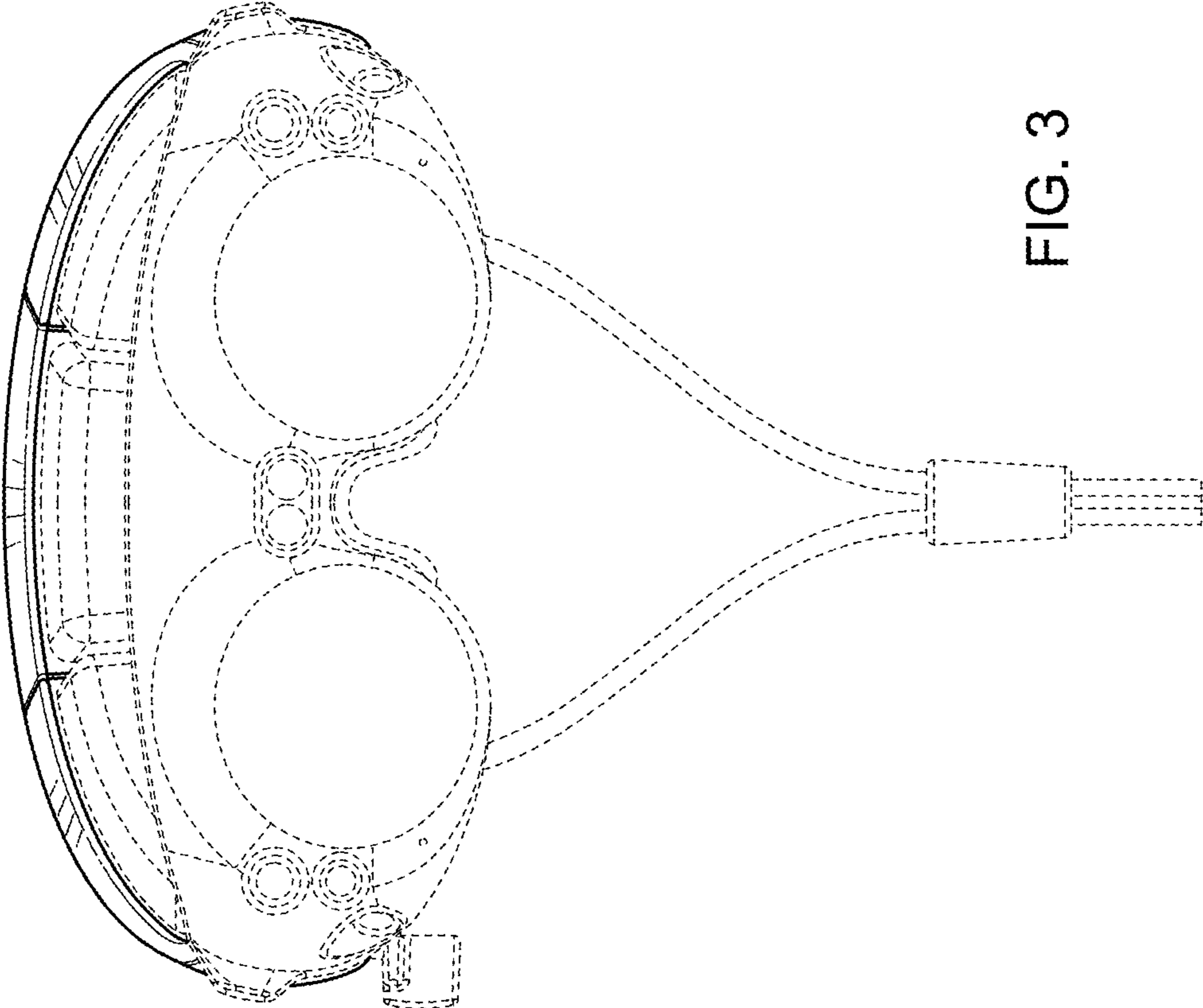


FIG. 3

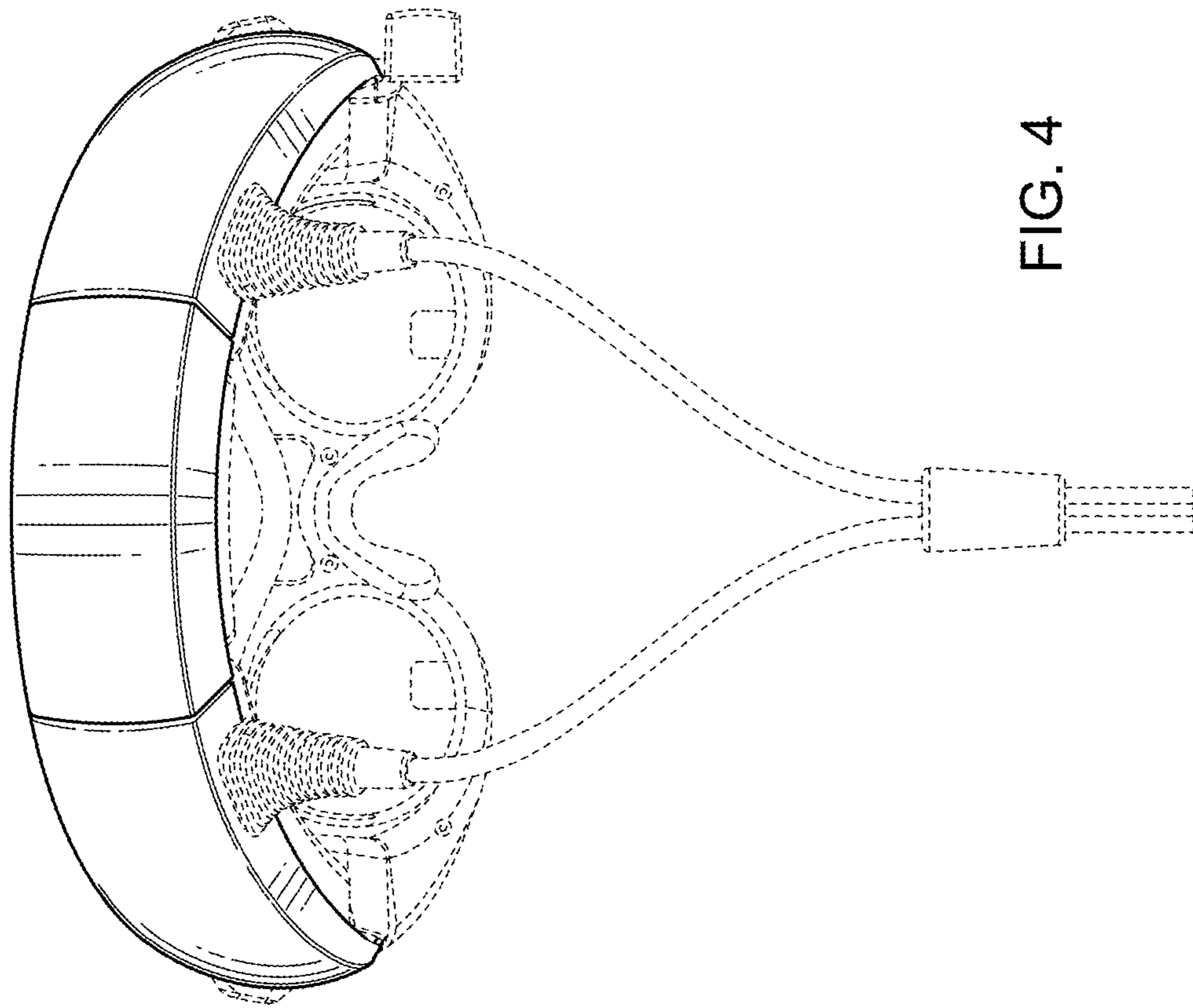


FIG. 4

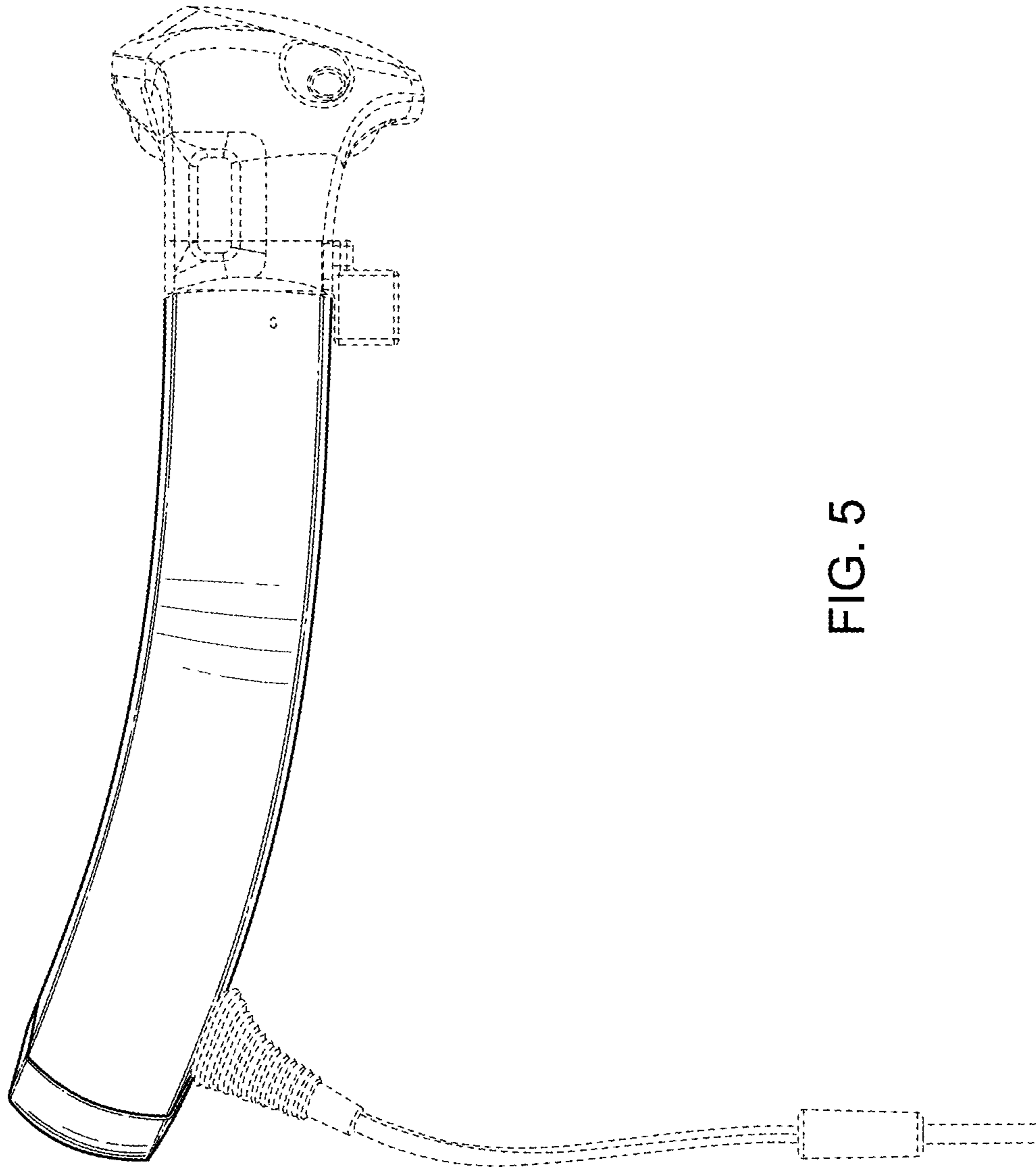


FIG. 5

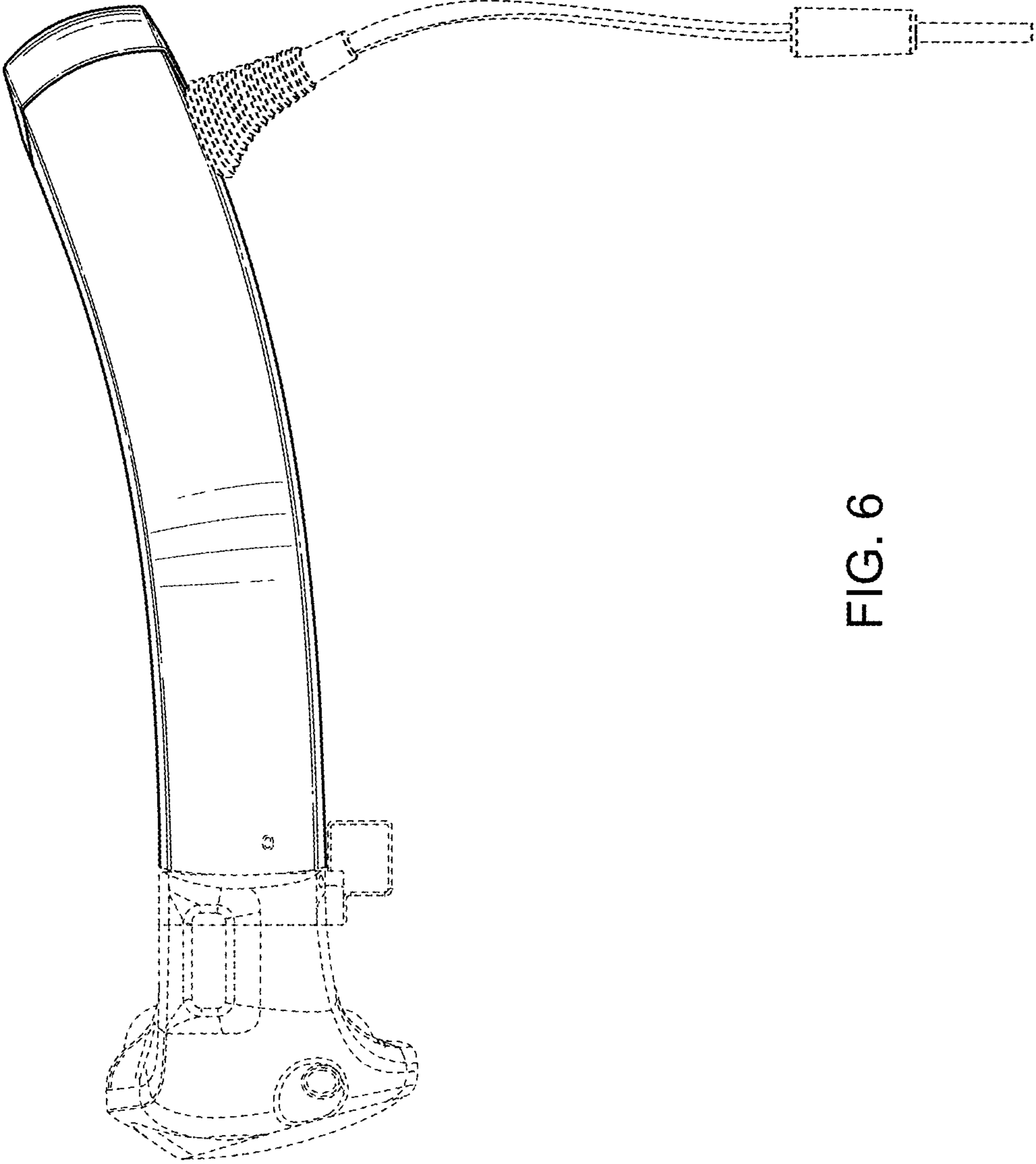


FIG. 6



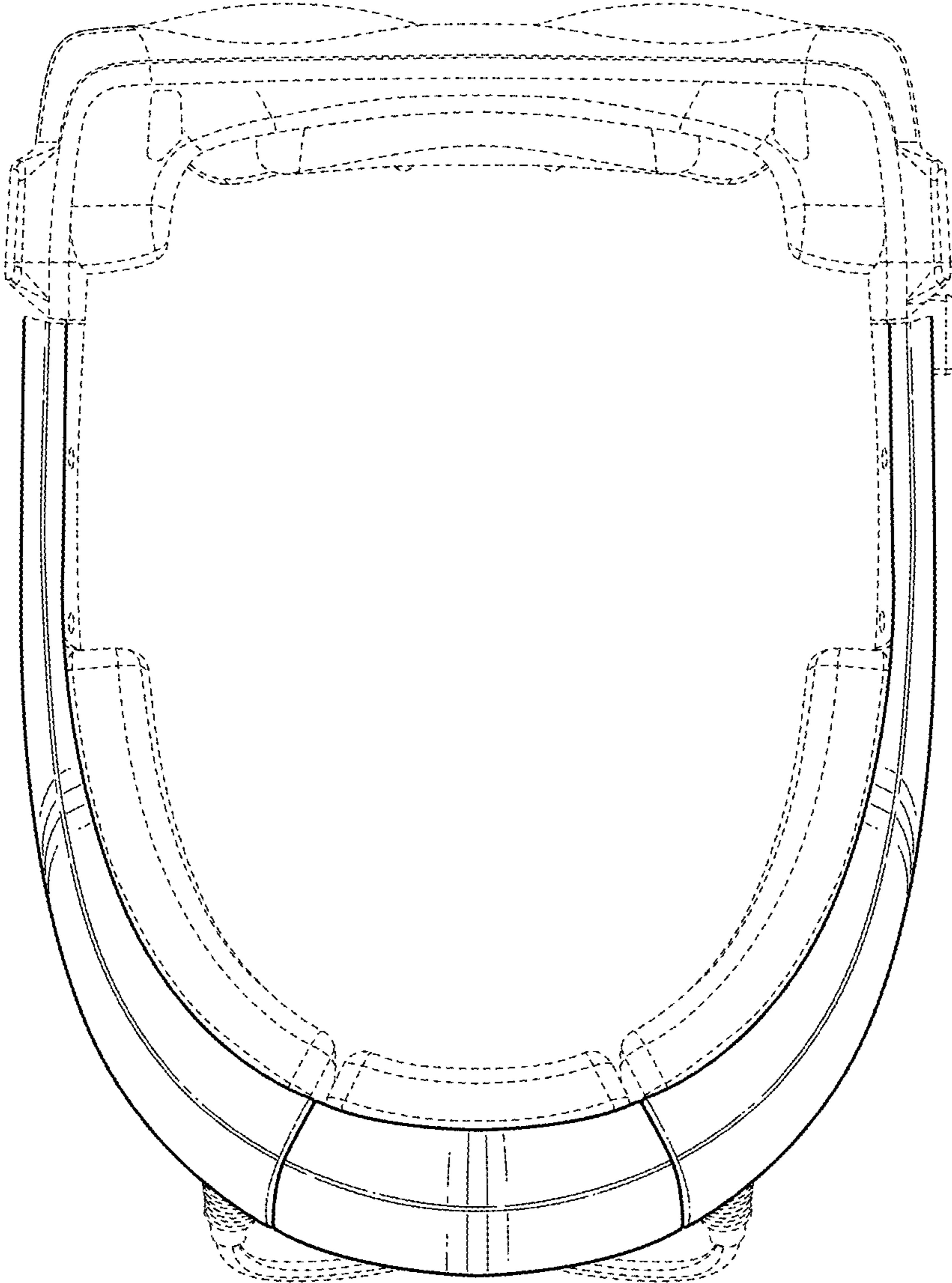


FIG. 7

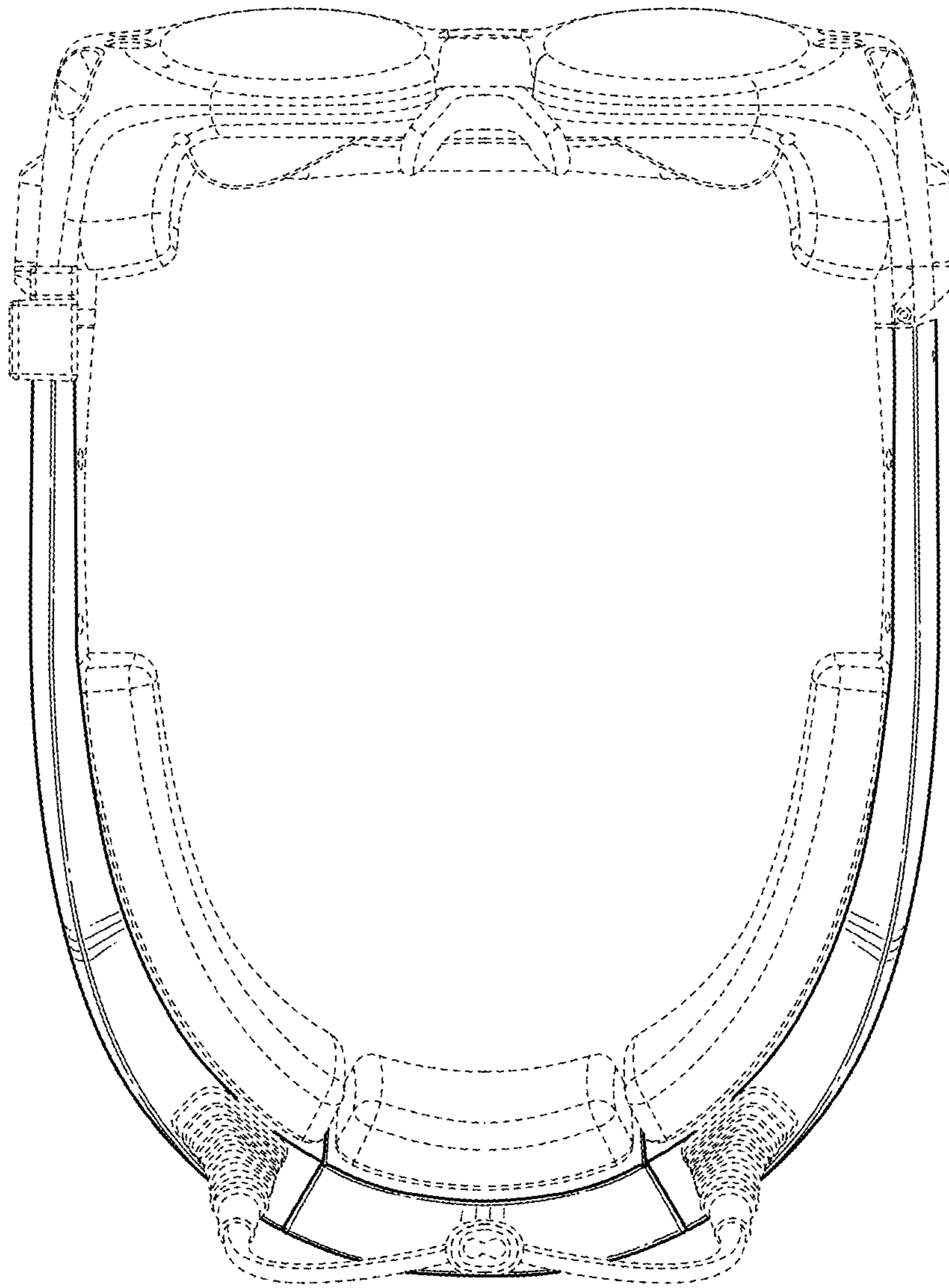


FIG. 8

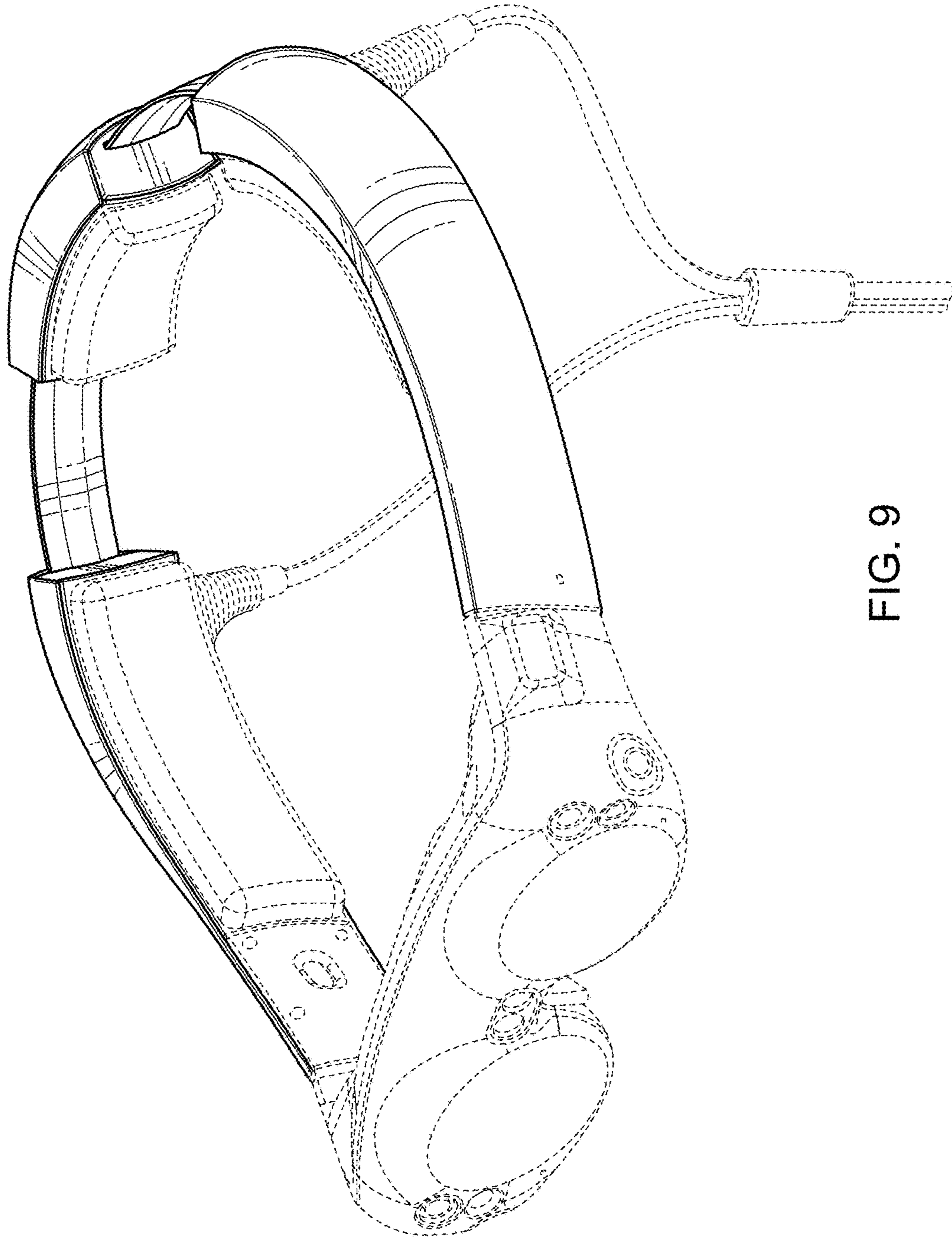


FIG. 9

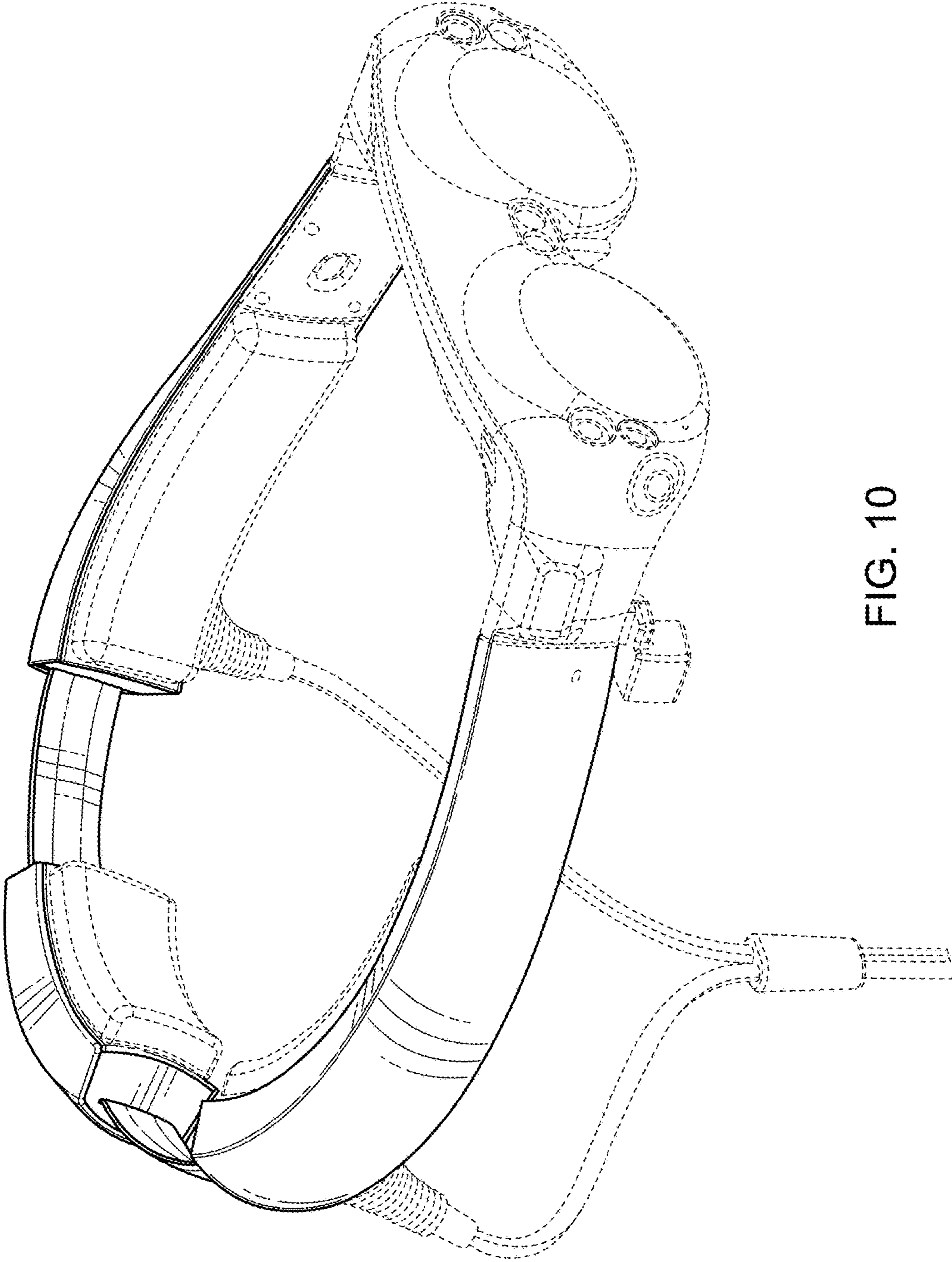


FIG. 10

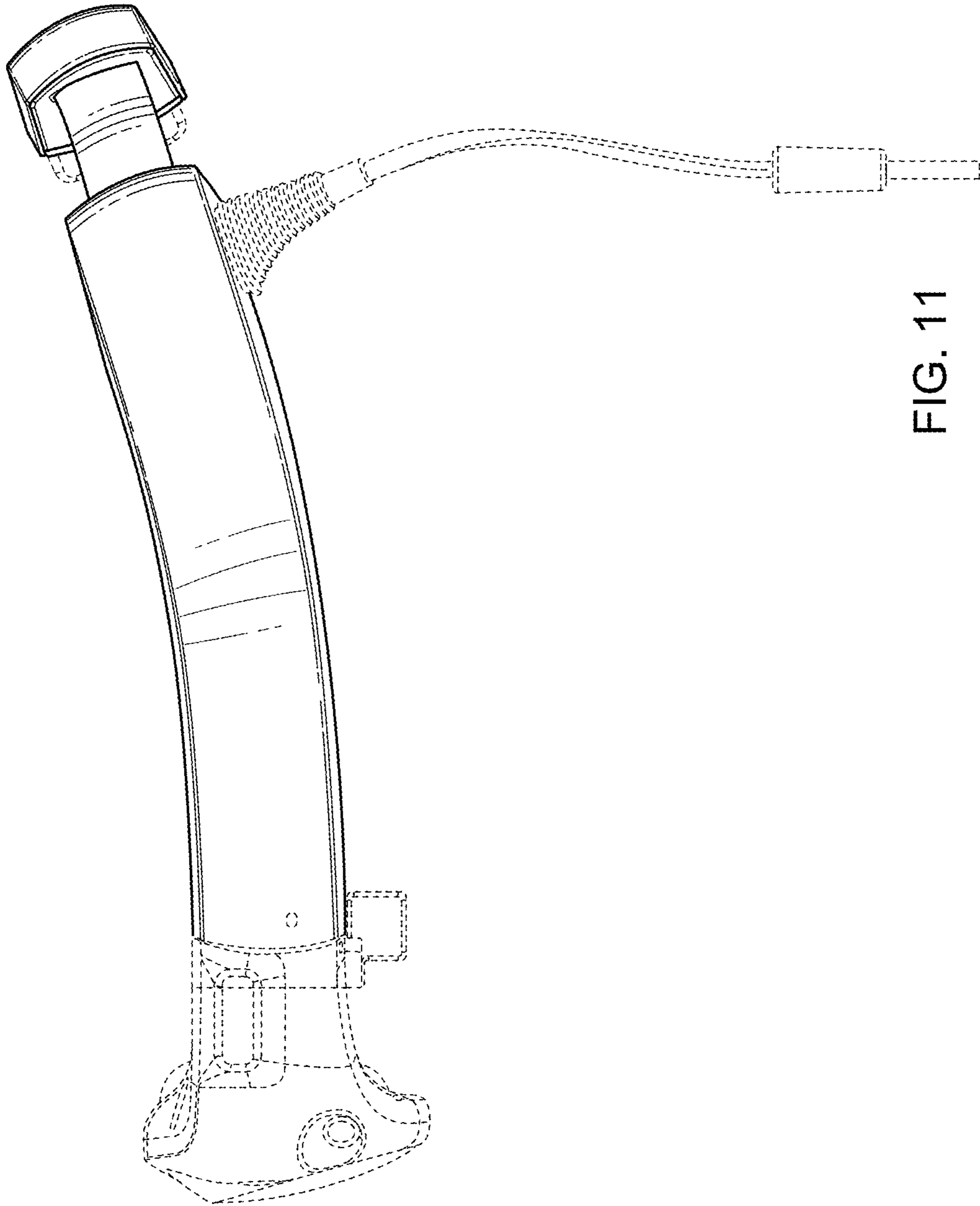


FIG. 11

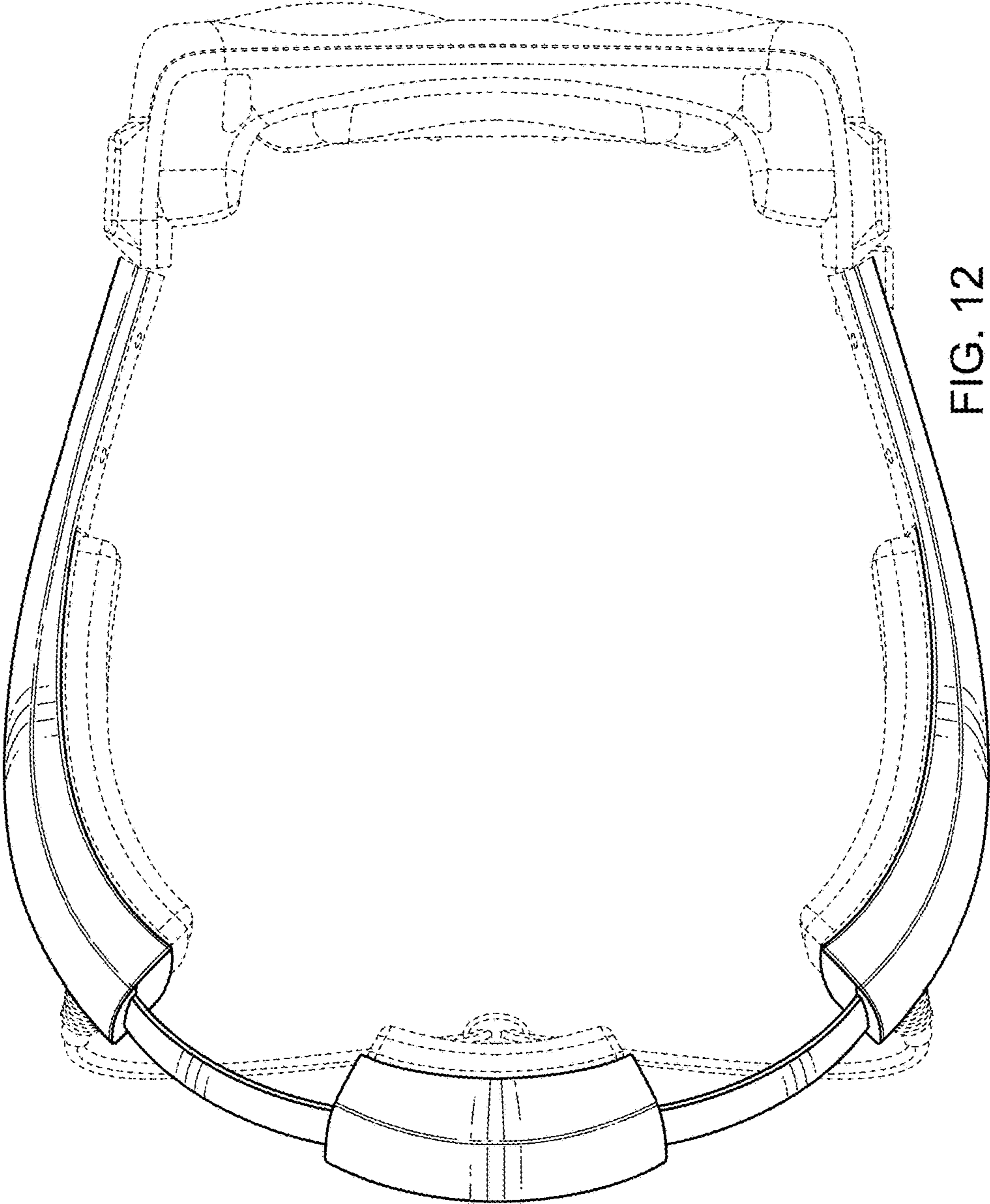


FIG. 12

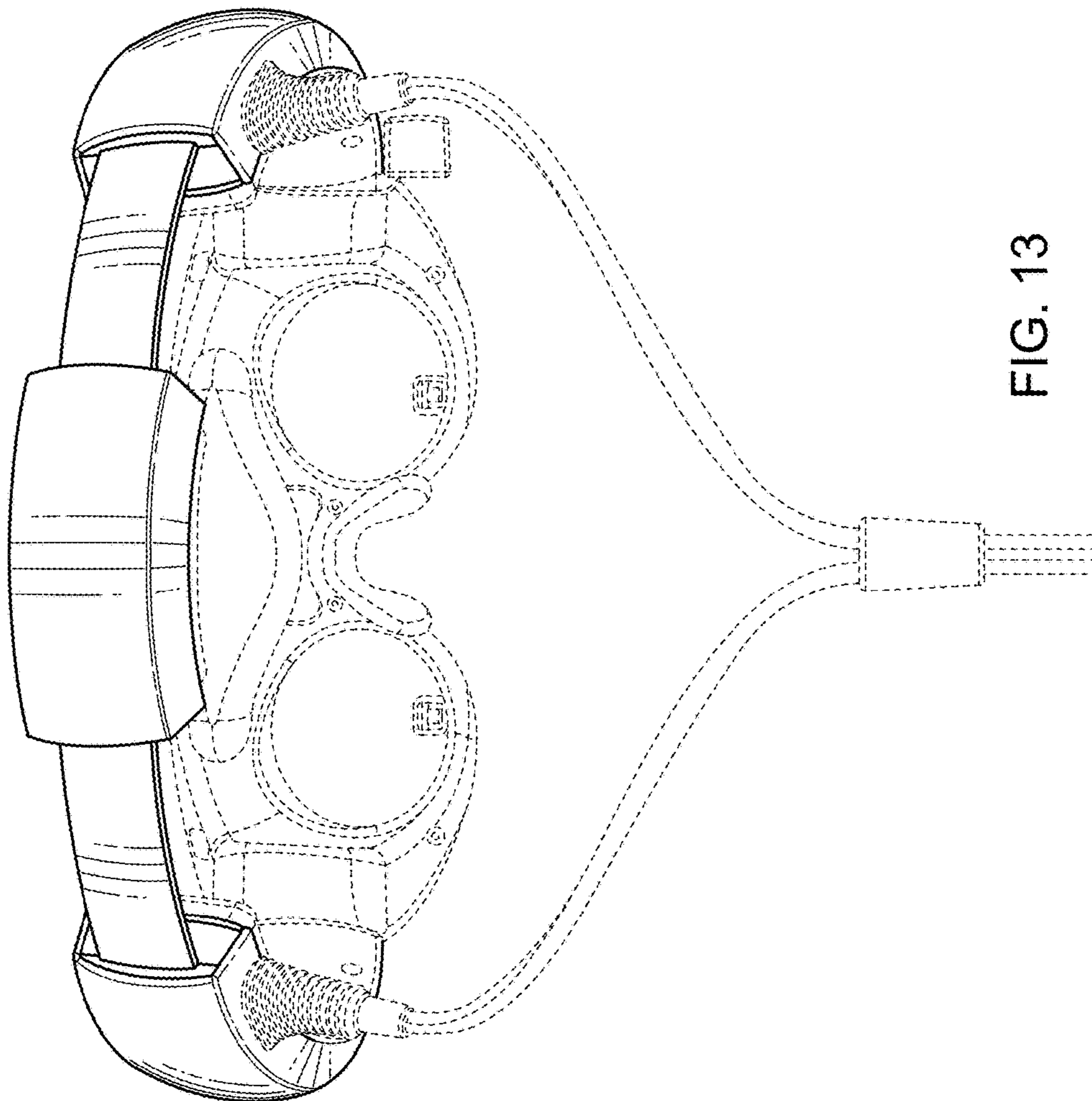


FIG. 13