



US00D836631S

(12) **United States Design Patent** (10) **Patent No.:** **US D836,631 S**
Natsume et al. (45) **Date of Patent:** **** Dec. 25, 2018**

(54) **HEAD MOUNTED AUDIO-VISUAL DISPLAY SYSTEM**

(71) Applicant: **MAGIC LEAP, INC.**, Plantation, FL (US)

(72) Inventors: **Shigeru Natsume**, Weston, FL (US); **Bradley Fraser**, Miami Beach, FL (US); **Haney Awad**, Fort Lauderdale, FL (US); **Sebastian Gonzalo Arrieta Günther**, Fort Lauderdale, FL (US); **Masamune Kaji**, Plantation, FL (US); **William Wheeler**, Los Angeles, CA (US)

(73) Assignee: **Magic Leap, Inc.**, Plantation, FL (US)

(**) Term: **15 Years**

(21) Appl. No.: **29/647,017**

(22) Filed: **May 9, 2018**

Related U.S. Application Data

(63) Continuation of application No. 29/621,011, filed on Oct. 3, 2017.

(51) **LOC (11) Cl.** **14-02**

(52) **U.S. Cl.**
USPC **D14/372**

(58) **Field of Classification Search**
USPC D14/372, 496, 432, 371, 125, 126, 129, D14/299; D16/300-342; 351/158, 153, 351/144; 345/7-9, 905; 455/344; 348/115, 53, 121, 739
CPC G02B 27/017; G02B 27/0158; G02B 27/0161; G02B 27/0181; G02B 27/0185; G02B 27/0189

See application file for complete search history.

(56) **References Cited**

U.S. PATENT DOCUMENTS

D433,023 S * 10/2000 Pinchuk D14/372
D521,493 S * 5/2006 Wai D14/205

D669,471 S * 10/2012 Hwang D14/372
D704,704 S * 5/2014 Tatara D14/372
D757,007 S * 5/2016 Cazalet D14/372
D776,111 S 1/2017 Baldassi et al.
D780,752 S 3/2017 Park et al.
D781,290 S 3/2017 Kim et al.
D792,400 S * 7/2017 Osterhout D14/372

(Continued)

OTHER PUBLICATIONS

Design application specification and drawings for U.S. Appl. No. 29/584,739, filed Nov. 16, 2016, Inventor Michael Slipy, entitled "Head Mounted Audio-Visual Display System" 9 pages.

(Continued)

Primary Examiner — Austin Murphy

(74) *Attorney, Agent, or Firm* — Vista IP Law Group LLP

(57) **CLAIM**

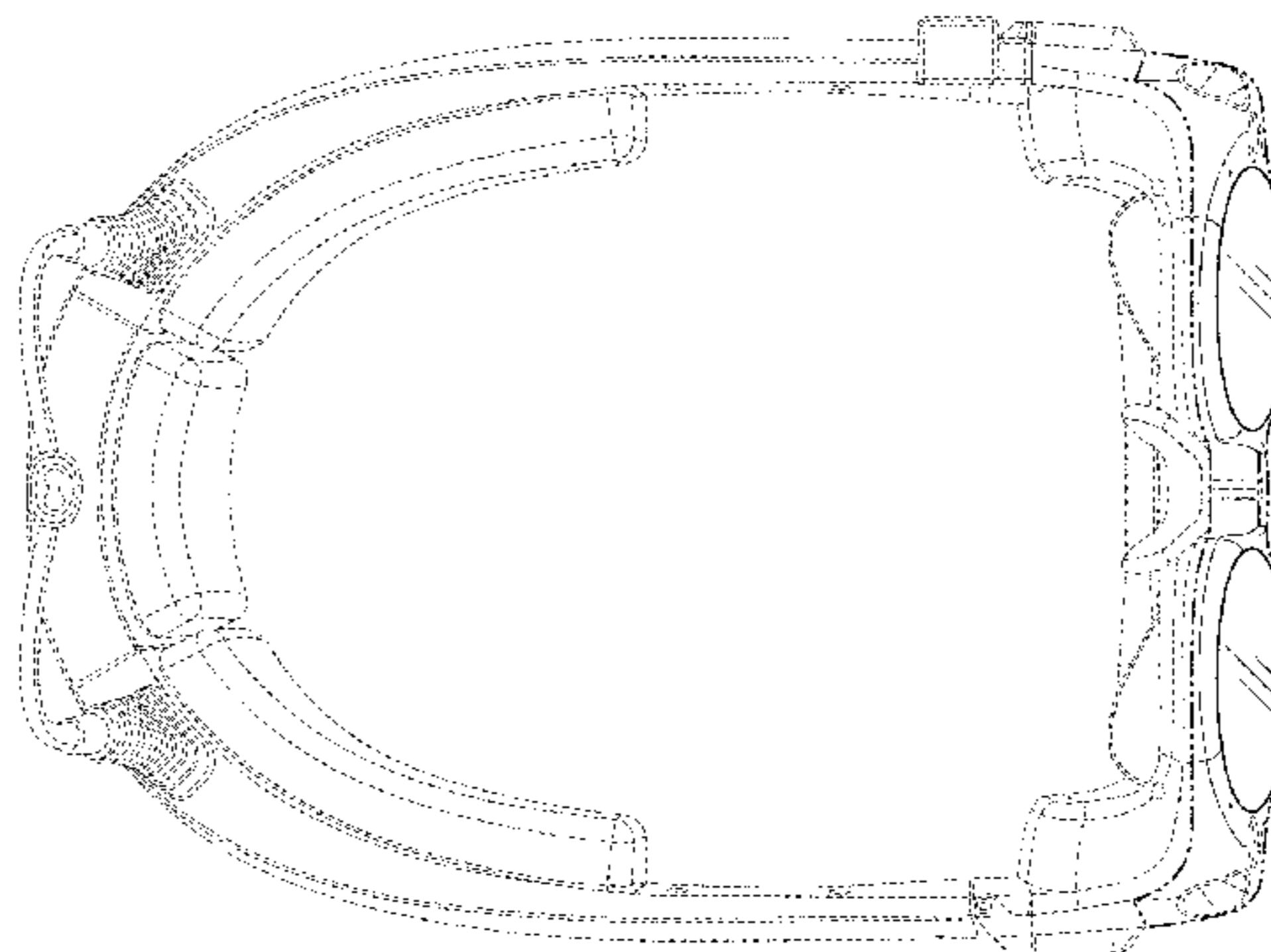
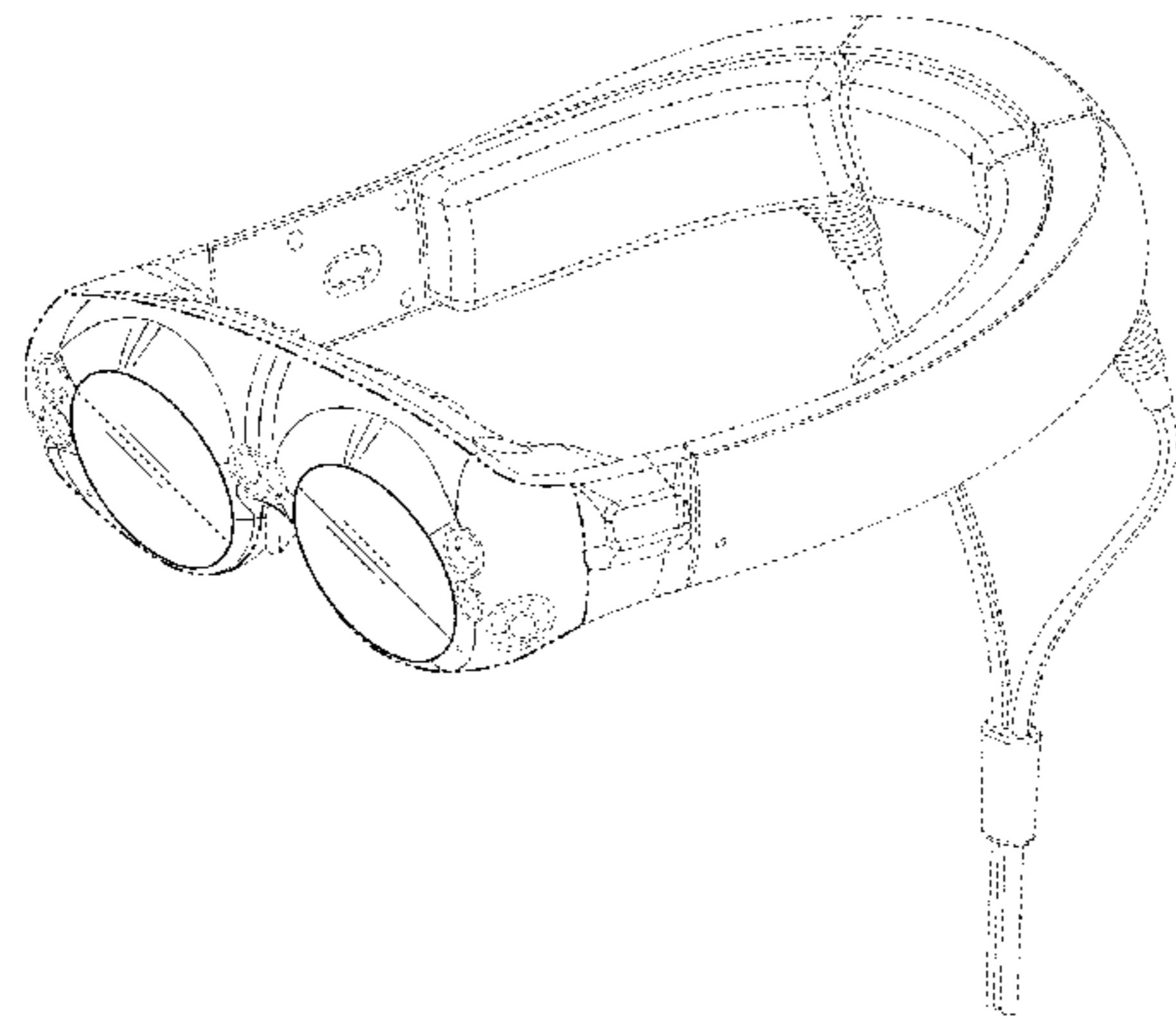
We claim the ornamental design for a head mounted audio-visual display system, as shown and described.

DESCRIPTION

FIG. 1 is a left front perspective view of a head mounted audio-visual display system showing our design; FIG. 2 is a right rear perspective view thereof; FIG. 3 is a front view thereof; FIG. 4 is a rear view thereof; FIG. 5 is a right view thereof; FIG. 6 is a left view thereof; FIG. 7 is a top view thereof; and, FIG. 8 is a bottom view thereof.

The broken lines depicting various portions of the head mounted audio-visual display system are included for the purpose of illustrating environmental structure and form no part of the claimed design.

1 Claim, 8 Drawing Sheets



(56)

References Cited

OTHER PUBLICATIONS

U.S. PATENT DOCUMENTS

D796,503 S * 9/2017 Natsume D14/372
 D796,504 S * 9/2017 Natsume D14/372
 D796,505 S * 9/2017 Natsume D14/372
 D796,506 S * 9/2017 Natsume D14/372
 D797,733 S * 9/2017 Lee D14/372
 D797,735 S * 9/2017 Fraser D14/372
 D798,862 S 10/2017 Wang
 D799,482 S 10/2017 Thomas
 D800,727 S * 10/2017 Mullins D14/372
 D805,072 S 12/2017 Seki
 D805,073 S 12/2017 Yee et al.
 D806,710 S 1/2018 Chen et al.
 D807,882 S 1/2018 Gribetz et al.
 D810,743 S 2/2018 Yee et al.
 D812,612 S 3/2018 Gribetz et al.
 D815,092 S * 4/2018 Liao D14/372
 D819,636 S 6/2018 Chen et al.
 D819,637 S 6/2018 Chen et al.
 D820,258 S * 6/2018 Maw D14/372

Design application specification and drawings for U.S. Appl. No. 29/603,737, filed May 11, 2016, Inventor David Charles Lundmark, et al., entitled "Head Mounted Audio-Visual Display System Connection Cable" 25 pages.
 Design application specification and drawings for U.S. Appl. No. 29/575,027, filed Aug. 22, 2016, Inventor Bradley Fraser, et al., entitled "Mixed Reality Head Mounted Display" 9 pages.
 Notice of Allowance dated Jul. 31, 2018 for Design U.S. Appl. No. 29/650,868, 12 pages.
 Notice of Allowance dated Jul. 31, 2018 for Design U.S. Appl. No. 29/650,872, 12 pages.
 Notice of Allowance dated Jul. 31, 2018 for Design U.S. Appl. No. 29/653,570, 8 pages.
 Notice of Allowance dated Jul. 31, 2018 for Design U.S. Appl. No. 29/653,573, 8 pages.
 Notice of Allowance dated Jul. 31, 2018 for Design U.S. Appl. No. 29/653,575, 8 pages.

* cited by examiner

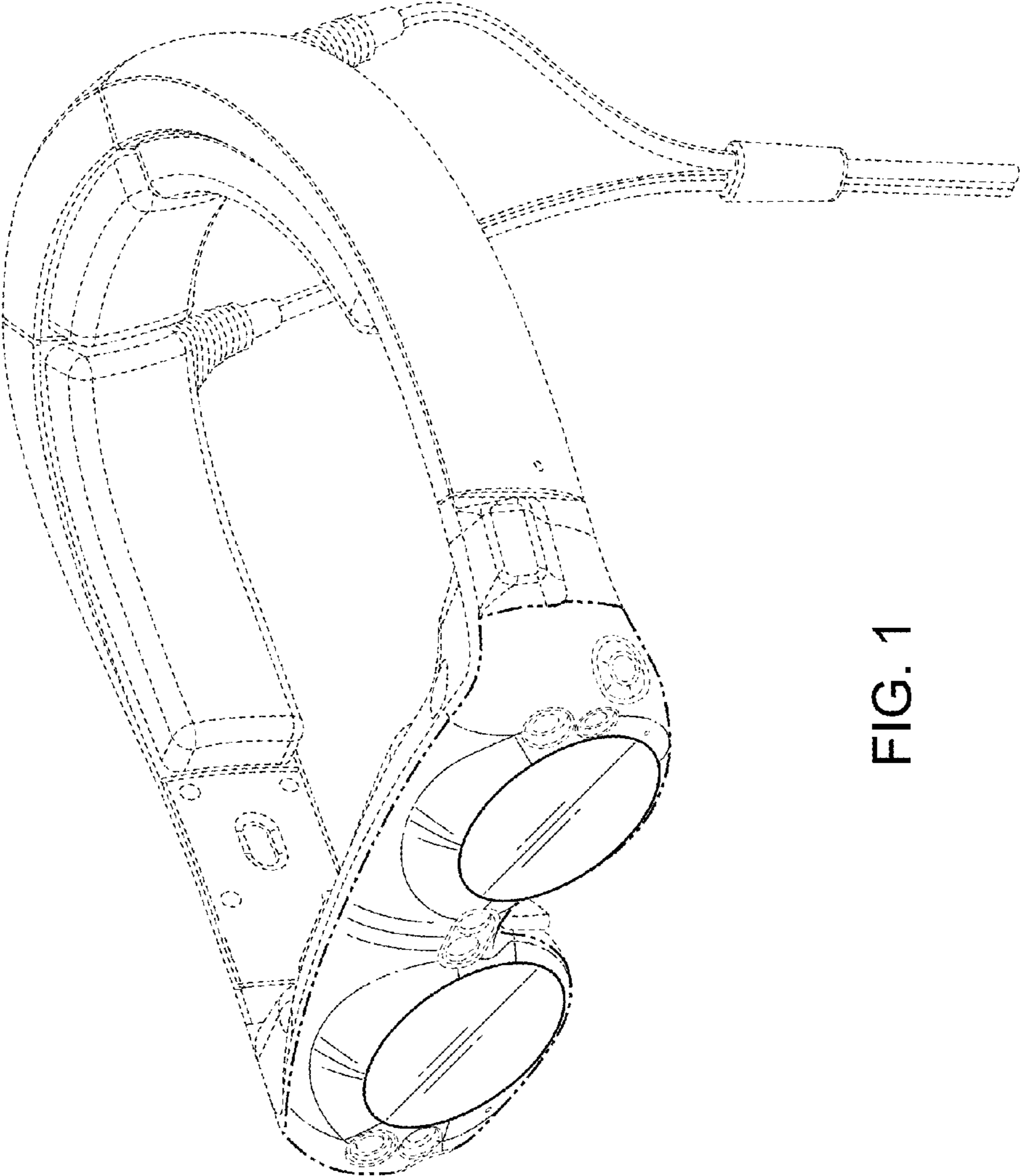


FIG. 1

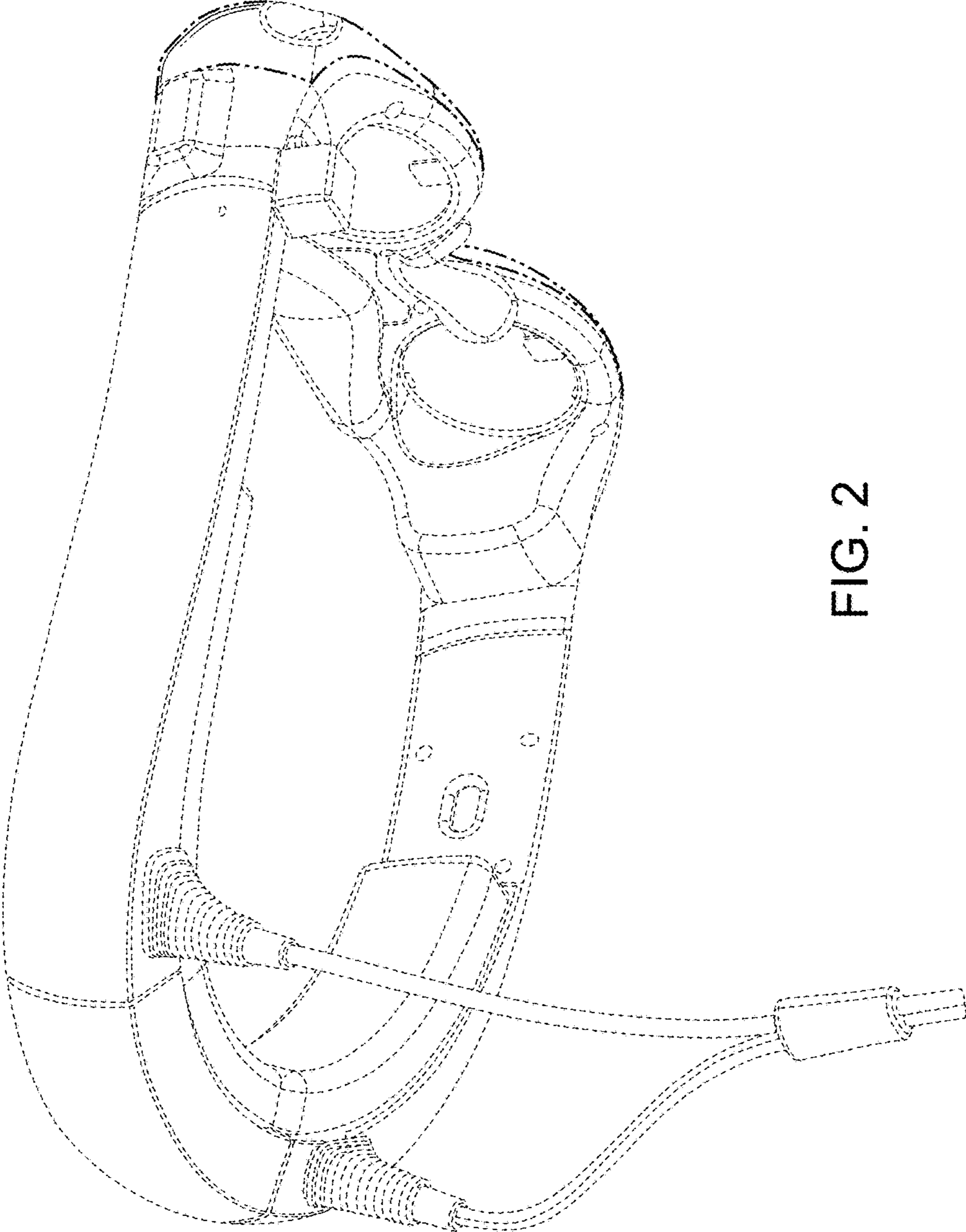


FIG. 2

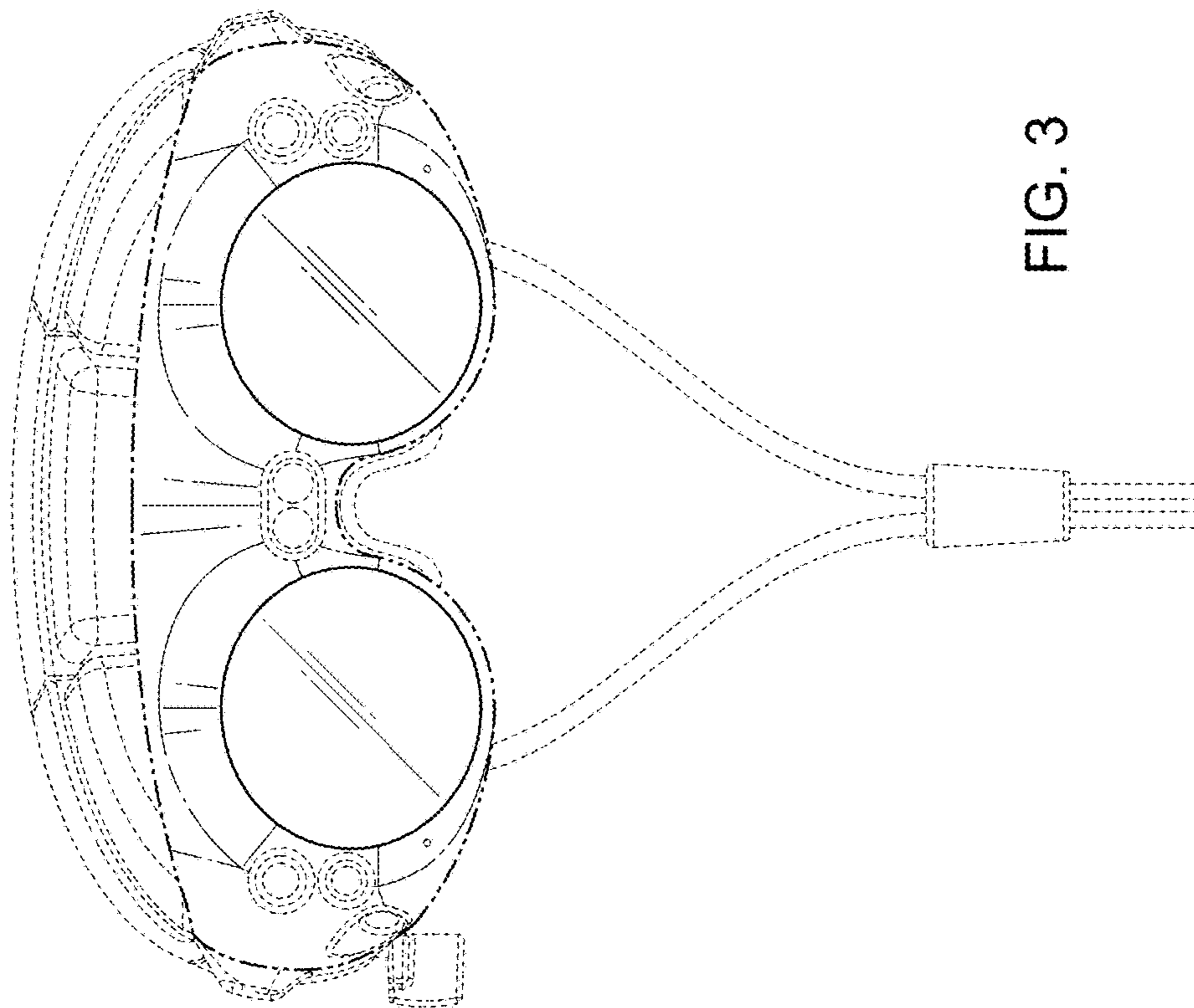


FIG. 3

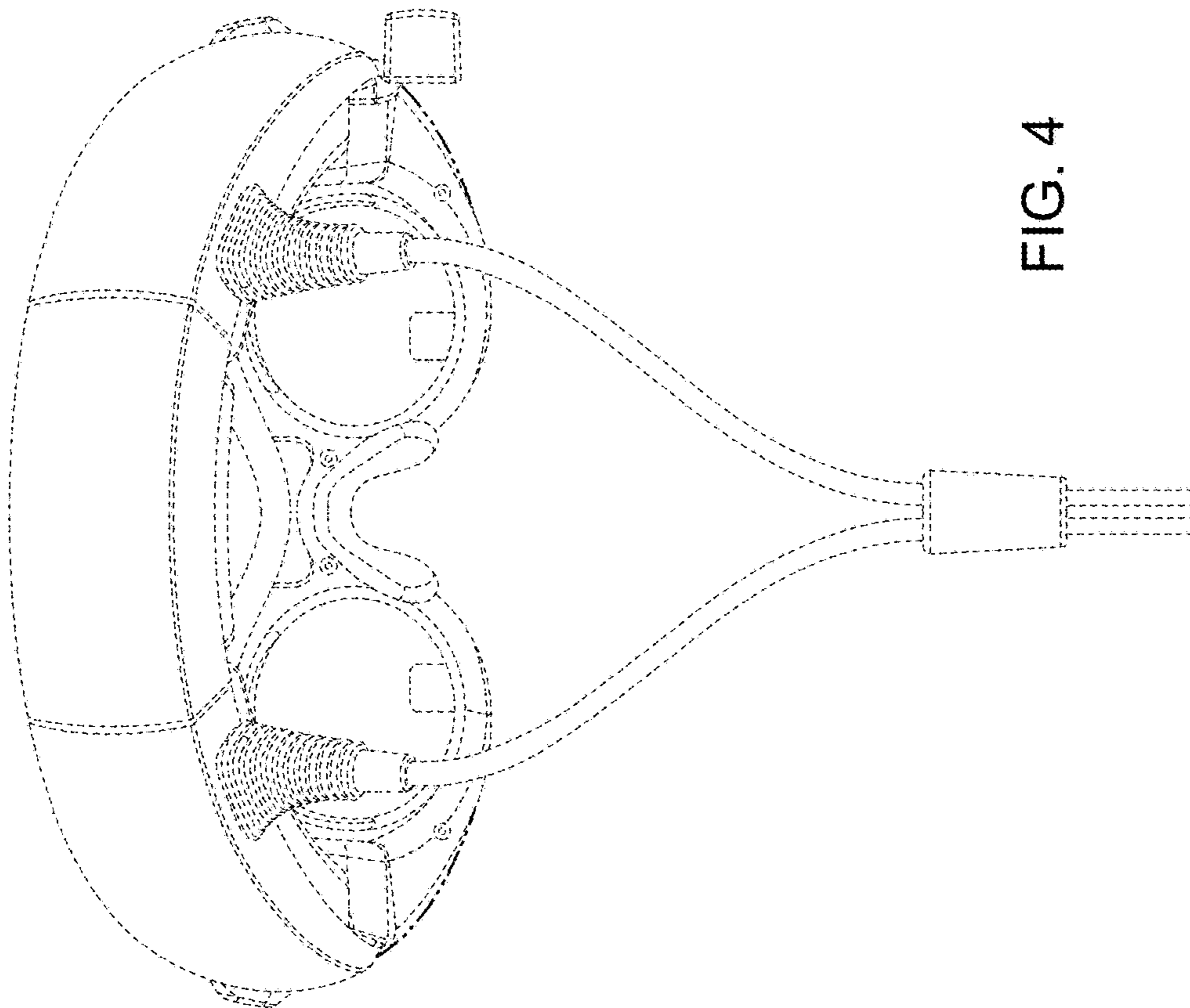


FIG. 4

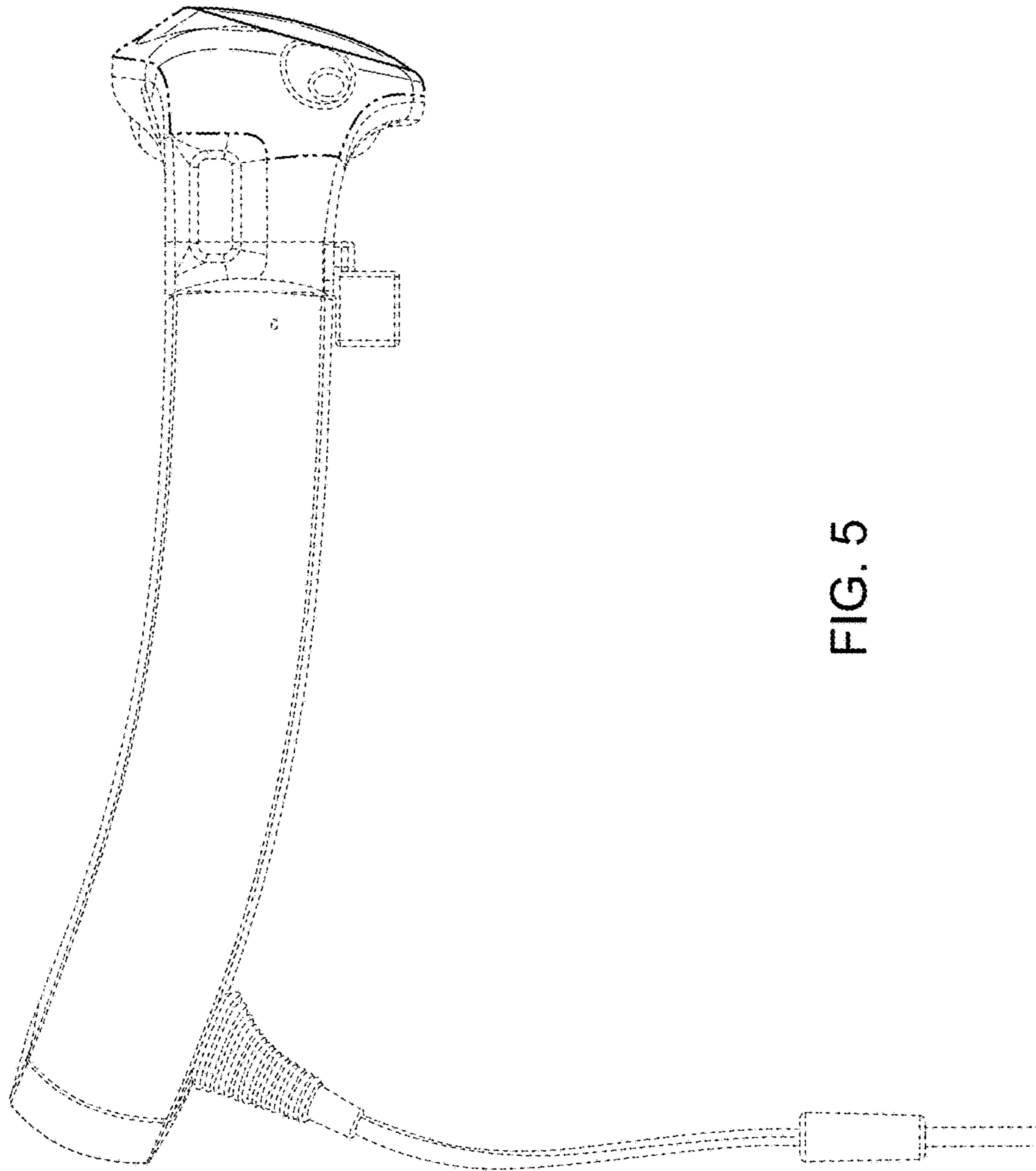


FIG. 5

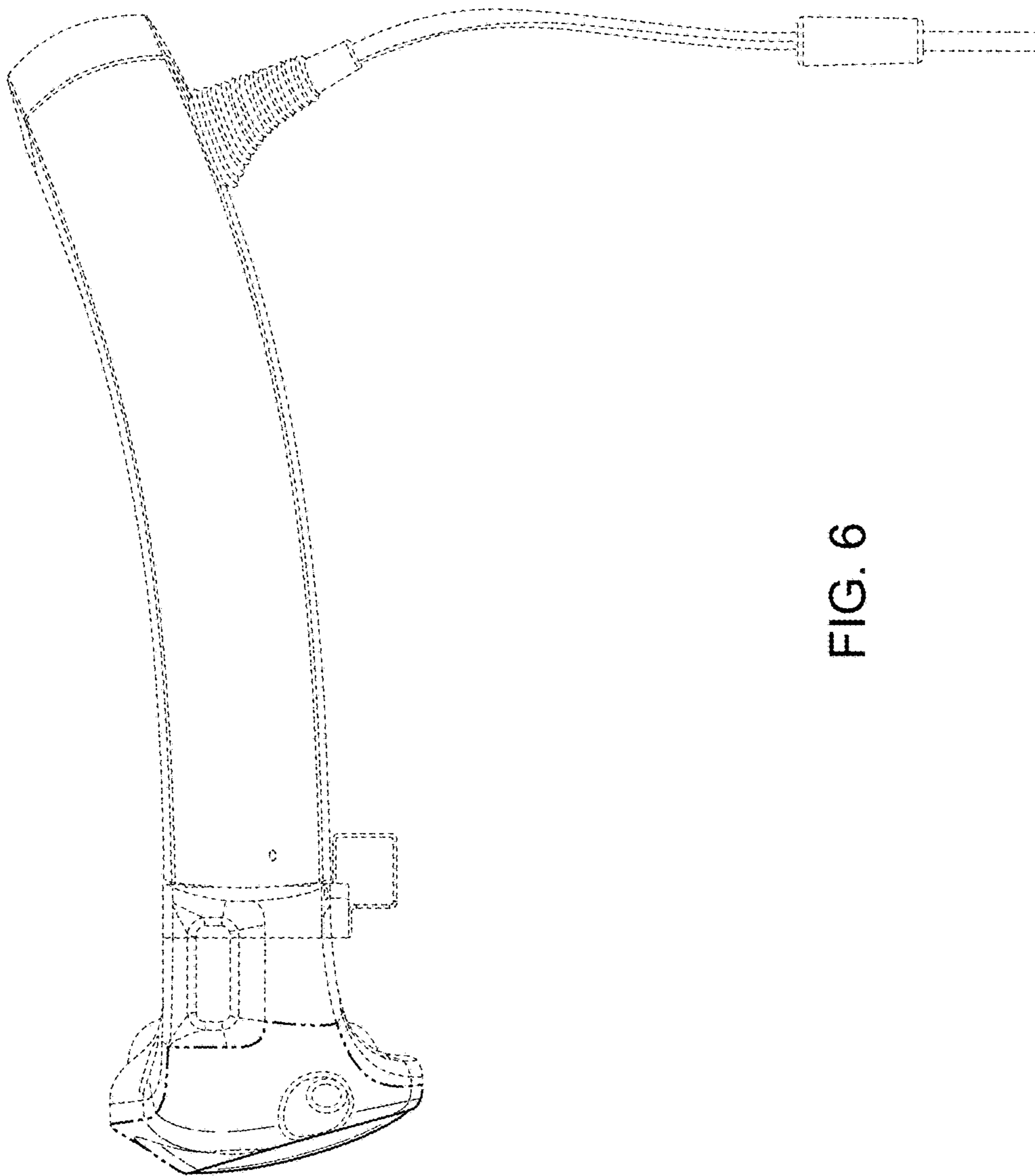


FIG. 6

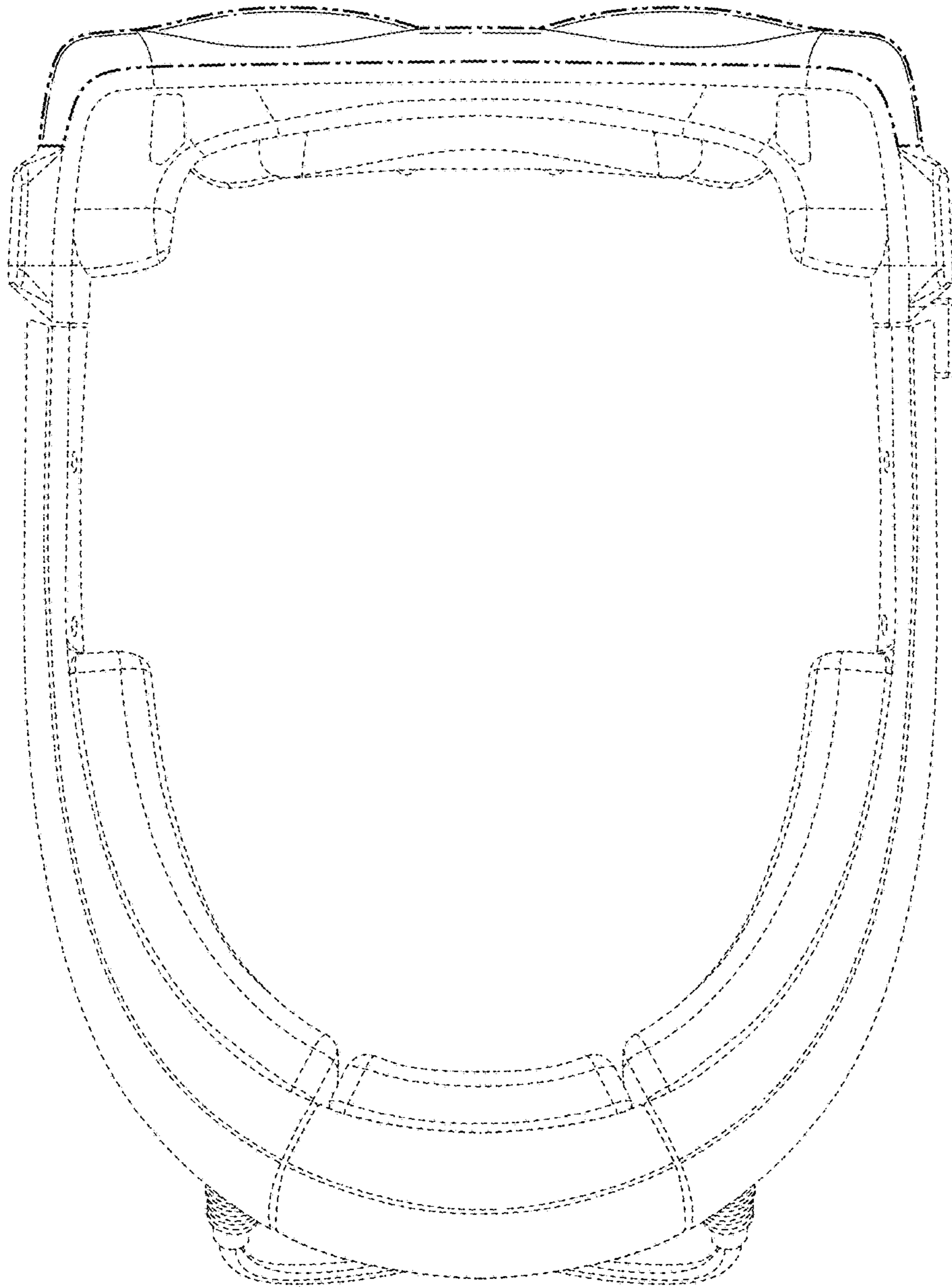


FIG. 7

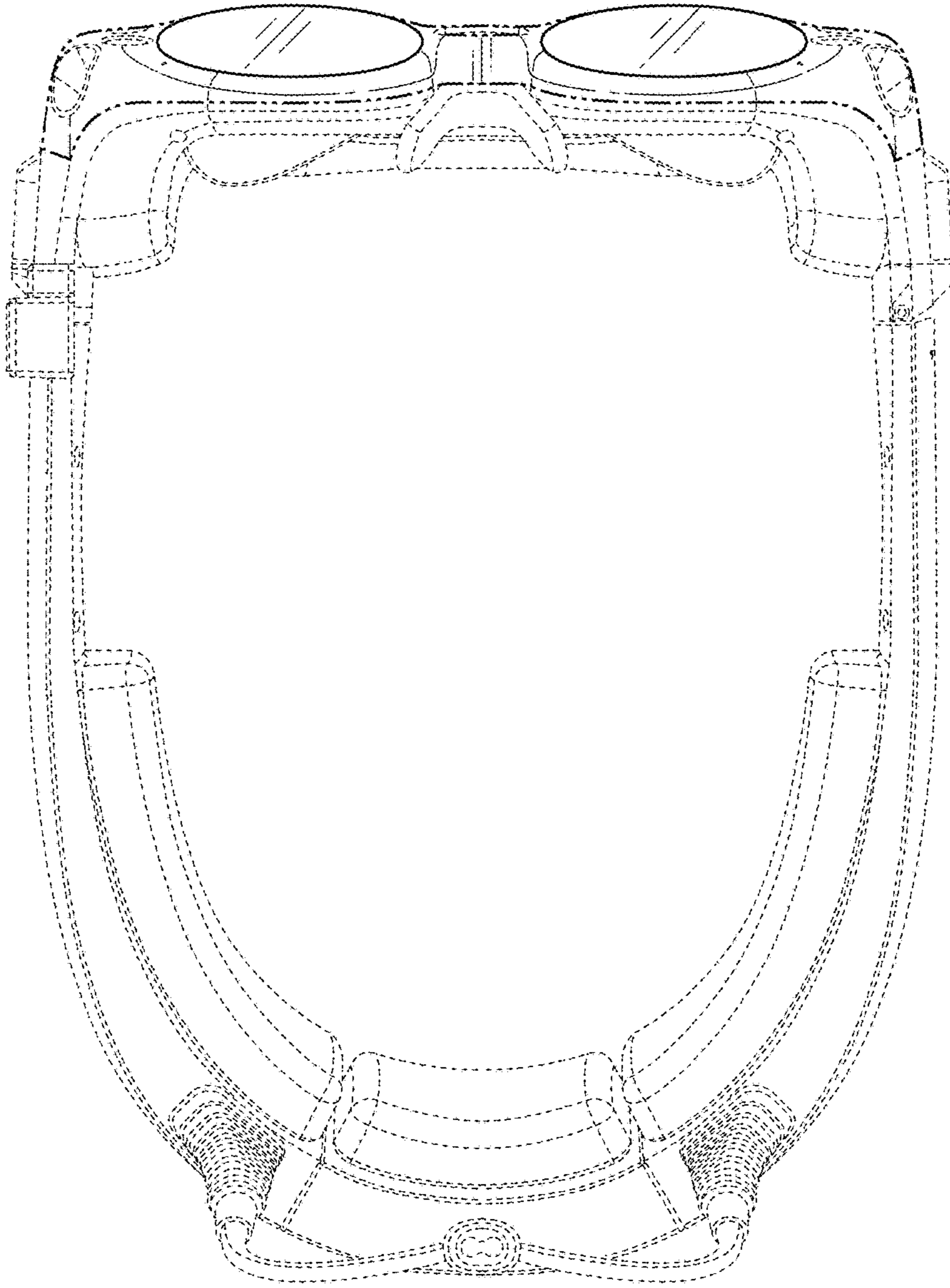


FIG. 8