



US00D836625S

(12) **United States Design Patent** (10) **Patent No.:** **US D836,625 S**
Szeredi et al. (45) **Date of Patent:** **** Dec. 25, 2018**

(54) **SELF-SERVICE KIOSK**
(71) Applicant: **SITA Information Networking Computing Canada Inc.**, Montreal (CA)
(72) Inventors: **Bonnie Lynn Szeredi**, Hamilton (CA); **Matthew Joseph Salari**, Montreal (CA); **Kirk Mosna**, Hamilton (CA); **Steve Orzel**, Hamilton (CA); **Graham Hills**, Hamilton (CA); **Harmandeep Dhaliwal**, Brampton (CA)
(73) Assignee: **SITA INFORMATION NETWORKING COMPUTING CANADA, INC.**, Montreal (CA)
(**) Term: **15 Years**
(21) Appl. No.: **29/606,791**
(22) Filed: **Jun. 7, 2017**
(30) **Foreign Application Priority Data**

Dec. 8, 2016 (EM) 003507565-0004
Dec. 8, 2016 (EM) 003507565-0005
Dec. 8, 2016 (EM) 003507565-0006

(51) **LOC (11) Cl.** **14-02**
(52) **U.S. Cl.**

USPC **D14/307**

(58) **Field of Classification Search**
USPC D14/302-307, 900-902; D13/163; D20/10; D21/332, 325, 369, 370; D99/28; D6/397, 466; 194/206; 361/679.01, 679.02, 679.04, 679.21, 361/679.57, 725
CPC G06Q 20/18; G06Q 20/10; G06Q 20/123; G06Q 20/20; G06Q 30/02; G06Q 30/06; A47F 9/047

See application file for complete search history.

(56) **References Cited**

U.S. PATENT DOCUMENTS

5,748,850 A 5/1998 Sakurai
5,793,639 A 8/1998 Yamazaki
5,897,620 A 4/1999 Walker

(Continued)

FOREIGN PATENT DOCUMENTS

DE 102009020228 A1 11/2010
EP 1308864 A1 5/2003

(Continued)

Primary Examiner — Austin Murphy

(74) *Attorney, Agent, or Firm* — Morris, Manning & Martin, LLP; Daniel E. Sineway, Esq.; Bryan D. Stewart, Esq.

(57) **CLAIM**

The ornamental design for the self-service kiosk, as shown and described.

DESCRIPTION

FIG. 1 is a perspective view of an exemplary self-service kiosk, according to one embodiment of the present disclosure.

FIG. 2 is a front view of an exemplary self-service kiosk, according to one embodiment of the present disclosure.

FIG. 3 is a back view of an exemplary self-service kiosk, according to one embodiment of the present disclosure.

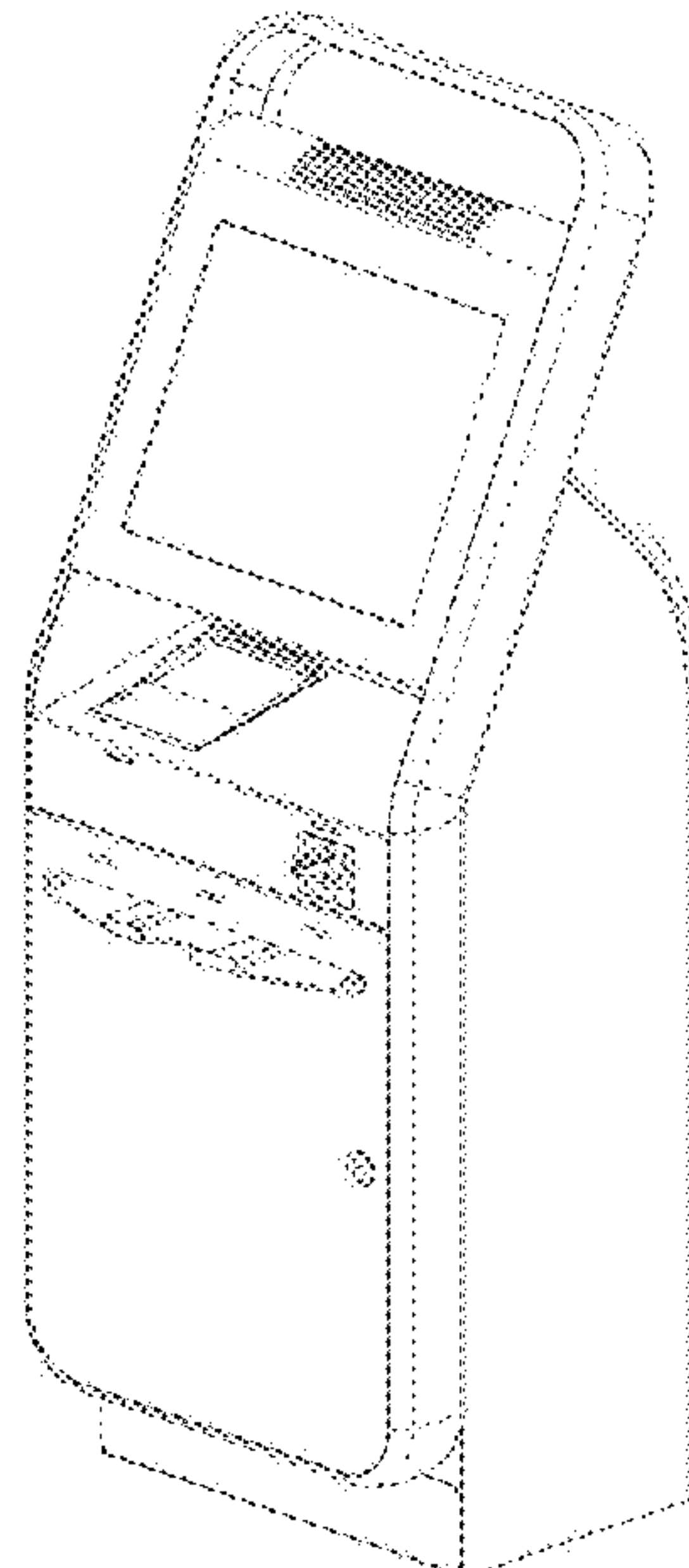
FIG. 4 is a side view of an exemplary self-service kiosk, according to one embodiment of the present disclosure.

FIG. 5 is a side view of an exemplary self-service kiosk, according to one embodiment of the present disclosure.

FIG. 6 is a top view of an exemplary self-service kiosk, according to one embodiment of the present disclosure; and,

FIG. 7 is a bottom view of an exemplary self-service kiosk, according to one embodiment of the present disclosure.

1 Claim, 7 Drawing Sheets



(56)

References Cited

U.S. PATENT DOCUMENTS

6,044,353 A 3/2000 Pugliese, III
 6,259,405 B1 7/2001 Stewart
 6,414,635 B1 7/2002 Stewart
 6,553,336 B1 4/2003 Johnson
 6,735,630 B1 5/2004 Gelvin
 6,736,322 B2 5/2004 Gobburu
 6,758,394 B2 7/2004 Maskatiya
 6,972,682 B2 12/2005 Lareau
 7,027,808 B2 4/2006 Wesby
 7,275,689 B2 10/2007 Mak
 7,486,171 B2 2/2009 Kim
 7,599,847 B2 10/2009 Block
 8,229,458 B2 7/2012 Busch
 8,467,726 B2 6/2013 Shirakata
 8,509,441 B2 8/2013 Yoon
 8,521,681 B2 8/2013 Ouchi
 8,631,358 B2 1/2014 Louch
 8,665,238 B1 3/2014 Gossweiler, III
 D705,213 S * 5/2014 Smith D14/307
 D707,674 S * 6/2014 Daniel D14/307
 8,949,142 B1 2/2015 Angrish
 8,977,568 B1 3/2015 Schattauer
 D727,308 S * 4/2015 Kraft D14/307
 9,024,752 B2 5/2015 Tumayan
 9,026,461 B2 5/2015 Calman
 D732,520 S * 6/2015 Themann D14/307
 9,047,512 B2 6/2015 Otis
 9,134,955 B2 9/2015 Healey
 9,141,325 B2 9/2015 Dersy
 9,239,246 B2 1/2016 Jones
 D751,061 S * 3/2016 Berini D14/307
 9,275,550 B1 3/2016 Stefani
 D762,635 S * 8/2016 Szeredi D14/307
 D767,559 S * 9/2016 Pfeiffer D14/307
 D769,864 S * 10/2016 Hoffmann D14/307

D774,029 S * 12/2016 Kim D14/307
 9,541,632 B2 1/2017 Frank
 9,552,564 B1 1/2017 Martenis
 D778,276 S * 2/2017 Berini D14/307
 D781,843 S * 3/2017 Horn, II D14/307
 D782,467 S * 3/2017 Bladwell D14/307
 9,589,262 B2 3/2017 Graylin
 9,589,405 B2 3/2017 Cabouli
 9,599,989 B1 3/2017 Brown
 D783,596 S * 4/2017 Payne D14/307
 D788,098 S * 5/2017 Thornton D14/307
 D792,388 S * 7/2017 Taylor D14/307
 9,710,920 B2 7/2017 Utsunomiya
 9,749,831 B2 8/2017 Lee
 D799,470 S * 10/2017 Brown D14/307
 D799,471 S * 10/2017 Brown D14/307
 D800,715 S * 10/2017 Kane D14/307
 D805,065 S * 12/2017 Taylor D14/307
 D811,381 S * 2/2018 Morohoshi D14/307
 D813,223 S * 3/2018 Munro D14/307
 2005/0258230 A1 11/2005 Wiater
 2009/0266882 A1 10/2009 Sajkowsky
 2012/0041313 A1 2/2012 Tanaka
 2014/0223043 A1 8/2014 Dersy
 2016/0152350 A1 6/2016 Puentes
 2016/0180255 A1 6/2016 Goedemondt
 2017/0004444 A1 1/2017 Krasko
 2017/0032263 A1 2/2017 Yuan

FOREIGN PATENT DOCUMENTS

EP 0770546 B1 12/2003
 EP 2932902 B1 12/2016
 EP 1872294 B1 11/2017
 JP 2003157984 A 5/2003
 JP 2017129981 A 7/2017

* cited by examiner

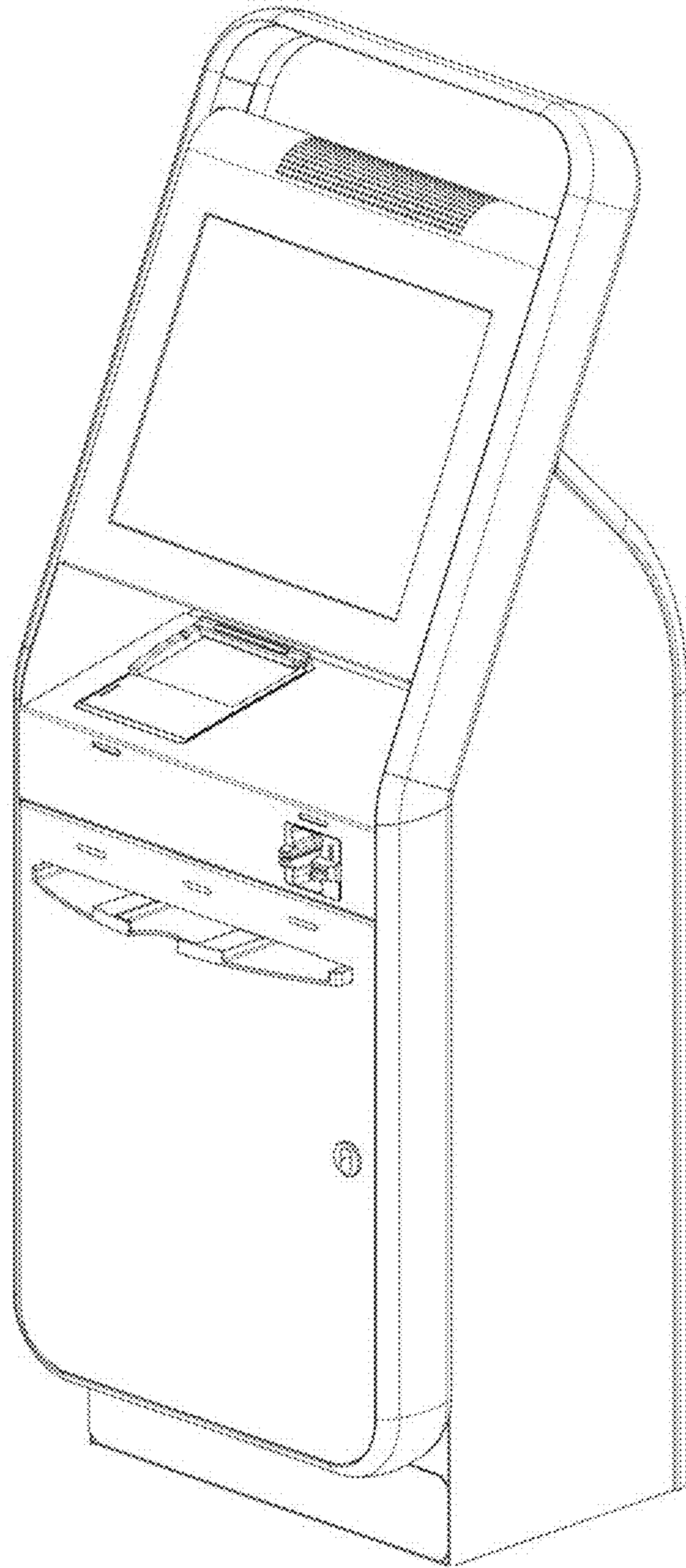


Figure 1

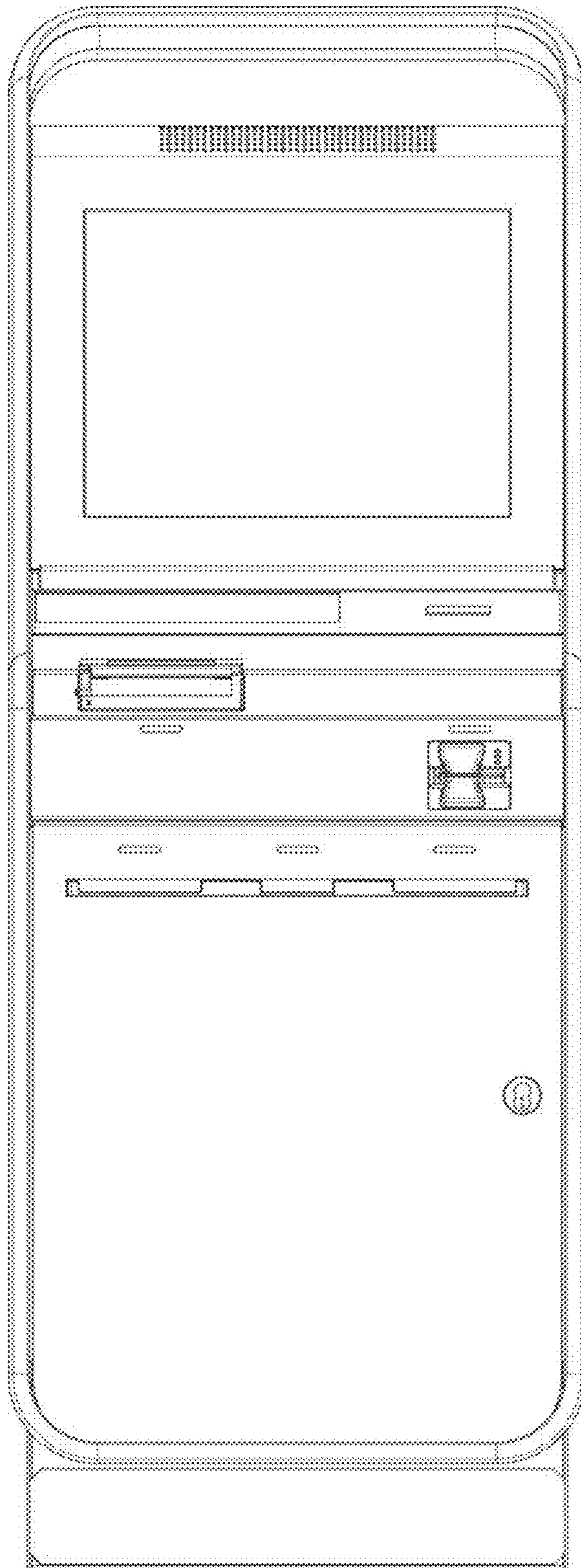


Figure 2

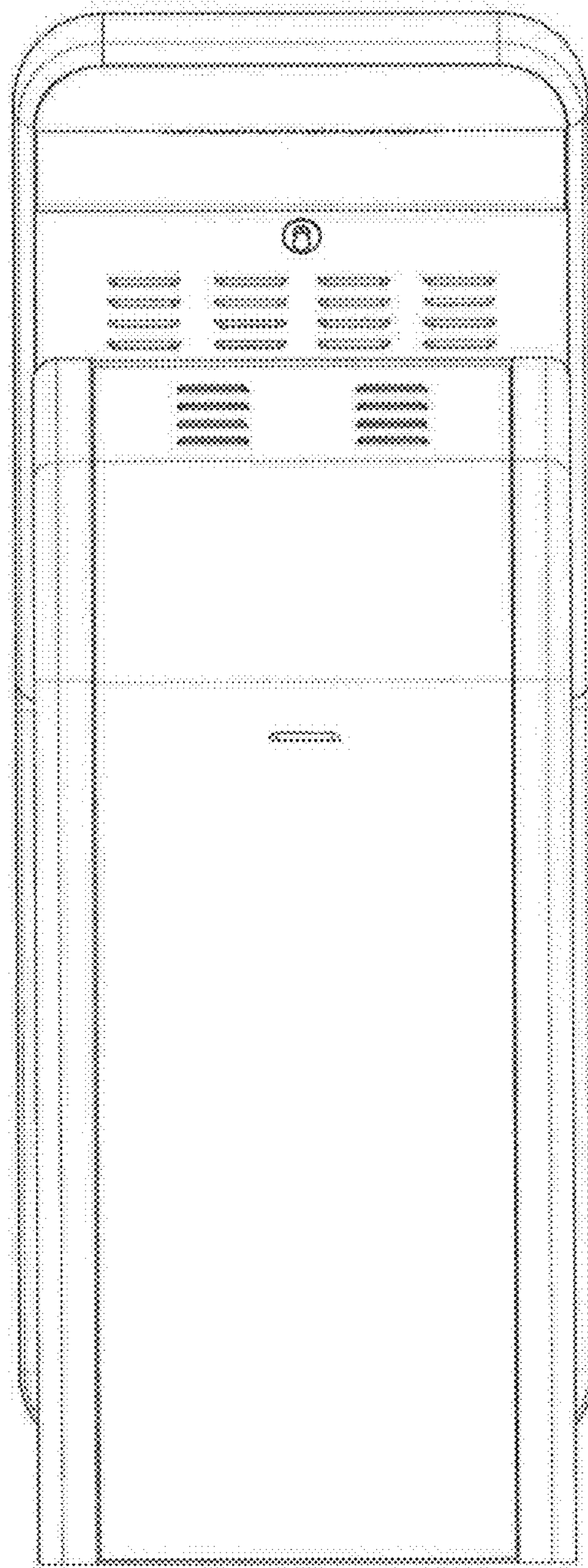


Figure 3

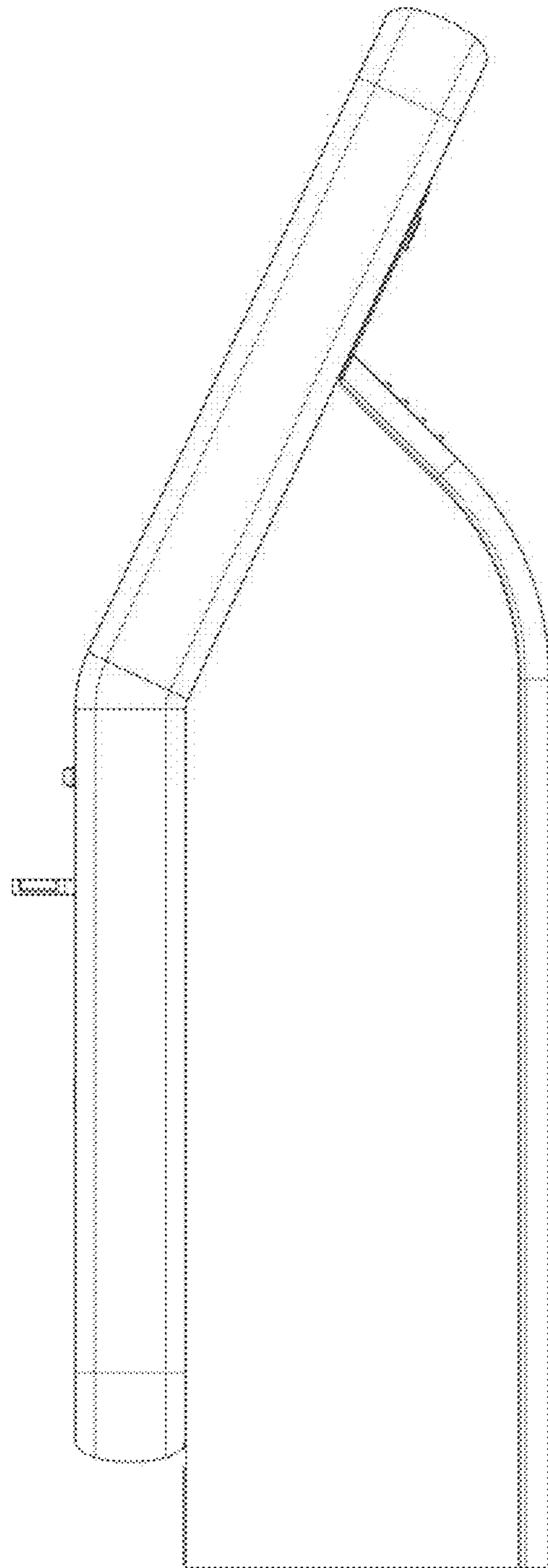


Figure 4

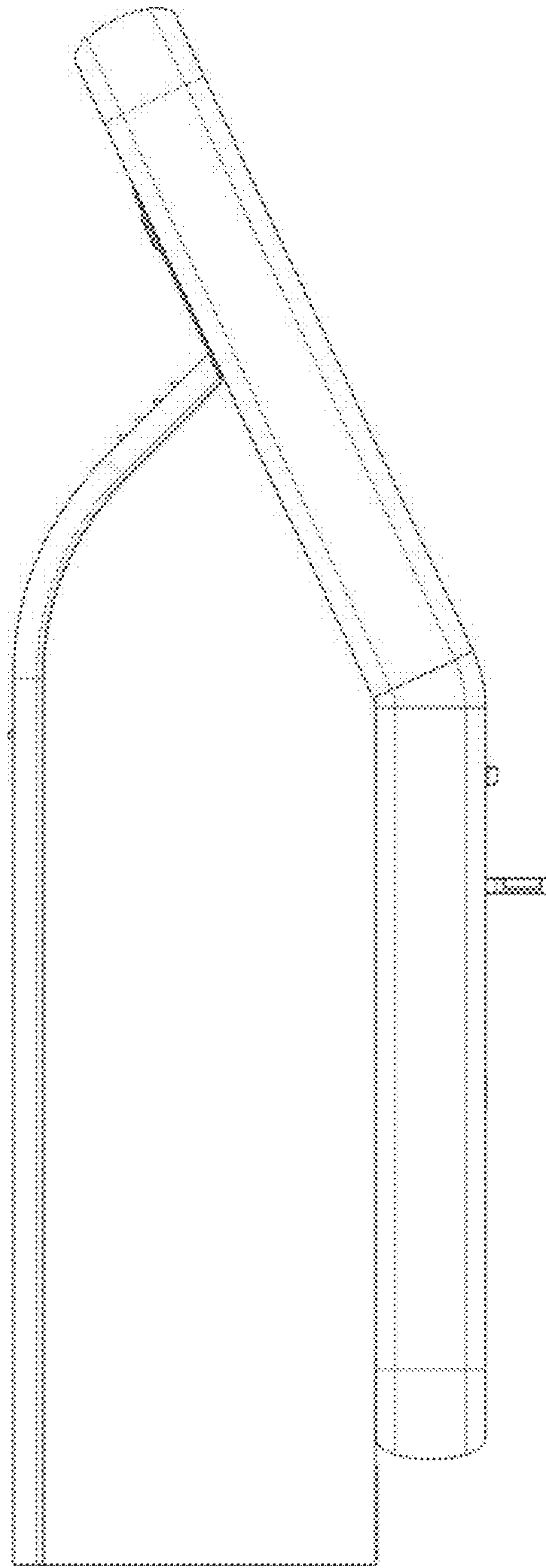


Figure 5

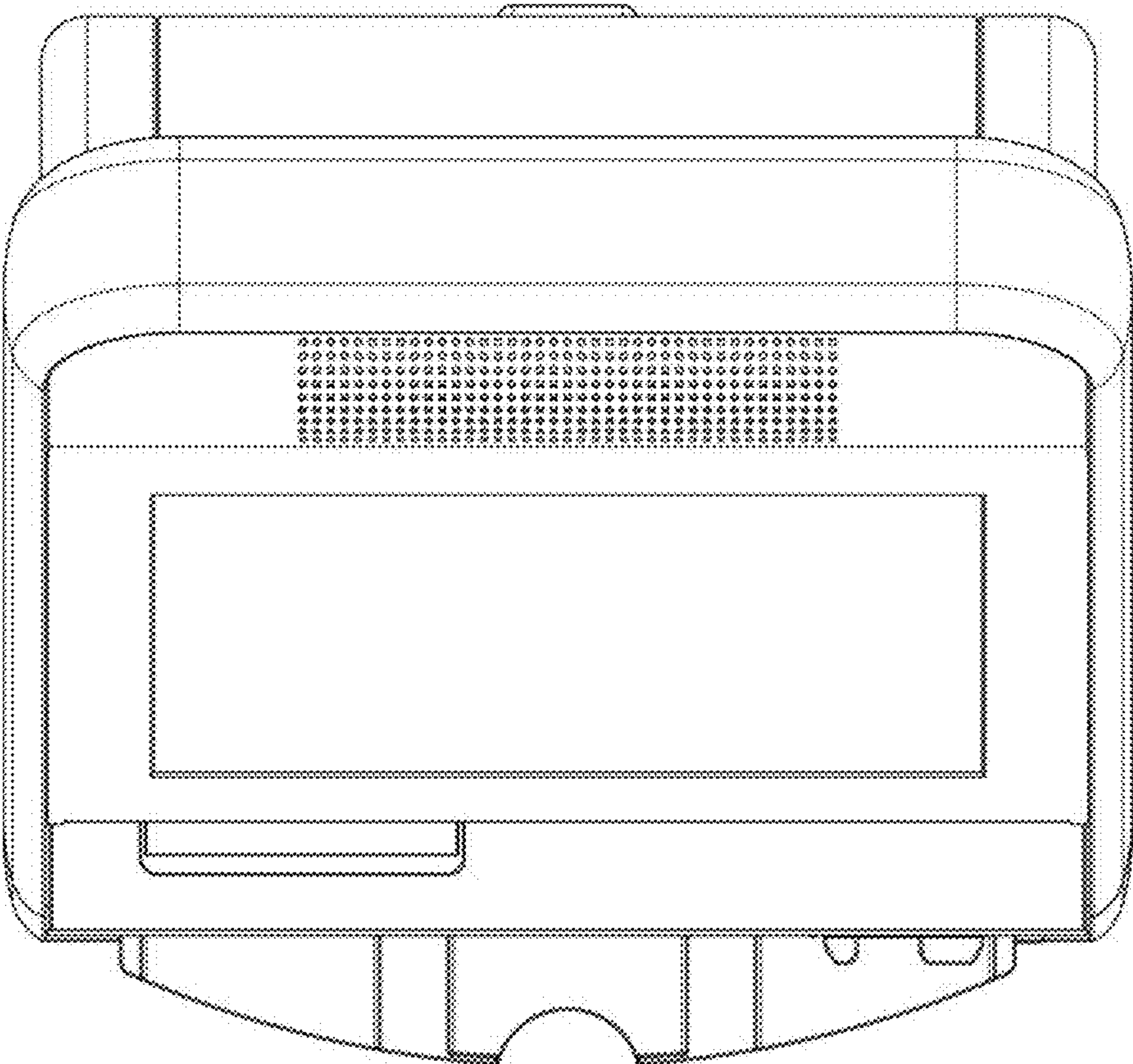


Figure 6

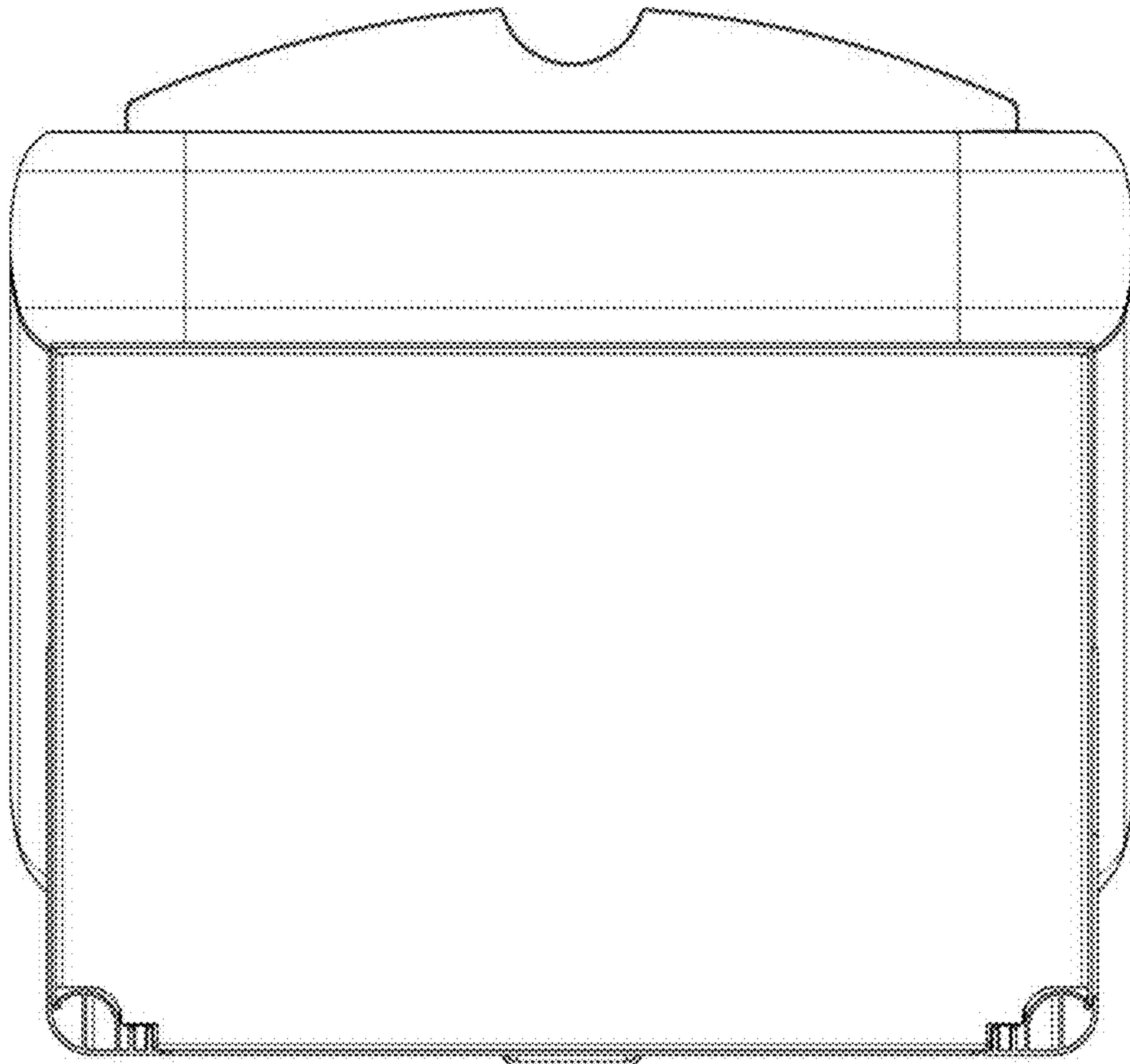


Figure 7