



US00D836623S

(12) **United States Design Patent**
Hyun

(10) **Patent No.:** **US D836,623 S**
(45) **Date of Patent:** **** Dec. 25, 2018**

- (54) **CASE FOR ELECTRONIC COMMUNICATIONS DEVICE**
- (71) Applicant: **SPIGEN KOREA CO., LTD.**, Seoul (KR)
- (72) Inventor: **Young Kwang Hyun**, Seoul (KR)
- (73) Assignee: **SPIGEN KOREA CO., LTD.**, Seoul (KR)
- (**) Term: **15 Years**
- (21) Appl. No.: **29/601,029**
- (22) Filed: **Apr. 18, 2017**
- (51) **LOC (11) Cl.** **14-03**
- (52) **U.S. Cl.**
USPC **D14/250**
- (58) **Field of Classification Search**
USPC D14/248, 439, 203.3-203.7, 447, 238.1, D14/440, 251-253, 217, 240, 250;
(Continued)

(56) **References Cited**

U.S. PATENT DOCUMENTS

- D619,361 S 7/2010 Andre
 - D646,265 S 10/2011 Fathollahi
- (Continued)

OTHER PUBLICATIONS

Review of Spigen Slim Armor Galaxy S6 Case with Kick Stand, published on Apr. 28, 2015, URL:<https://www.youtube.com/watch?v=JFvhcXcZAVo>, retrieved from internet on Feb. 2, 2018.*

(Continued)

Primary Examiner — Carla J Wright

(74) *Attorney, Agent, or Firm* — Heedong Chae; Lucem, PC

(57) **CLAIM**

The ornamental design for a case for electronic communications device, as shown and described.

DESCRIPTION

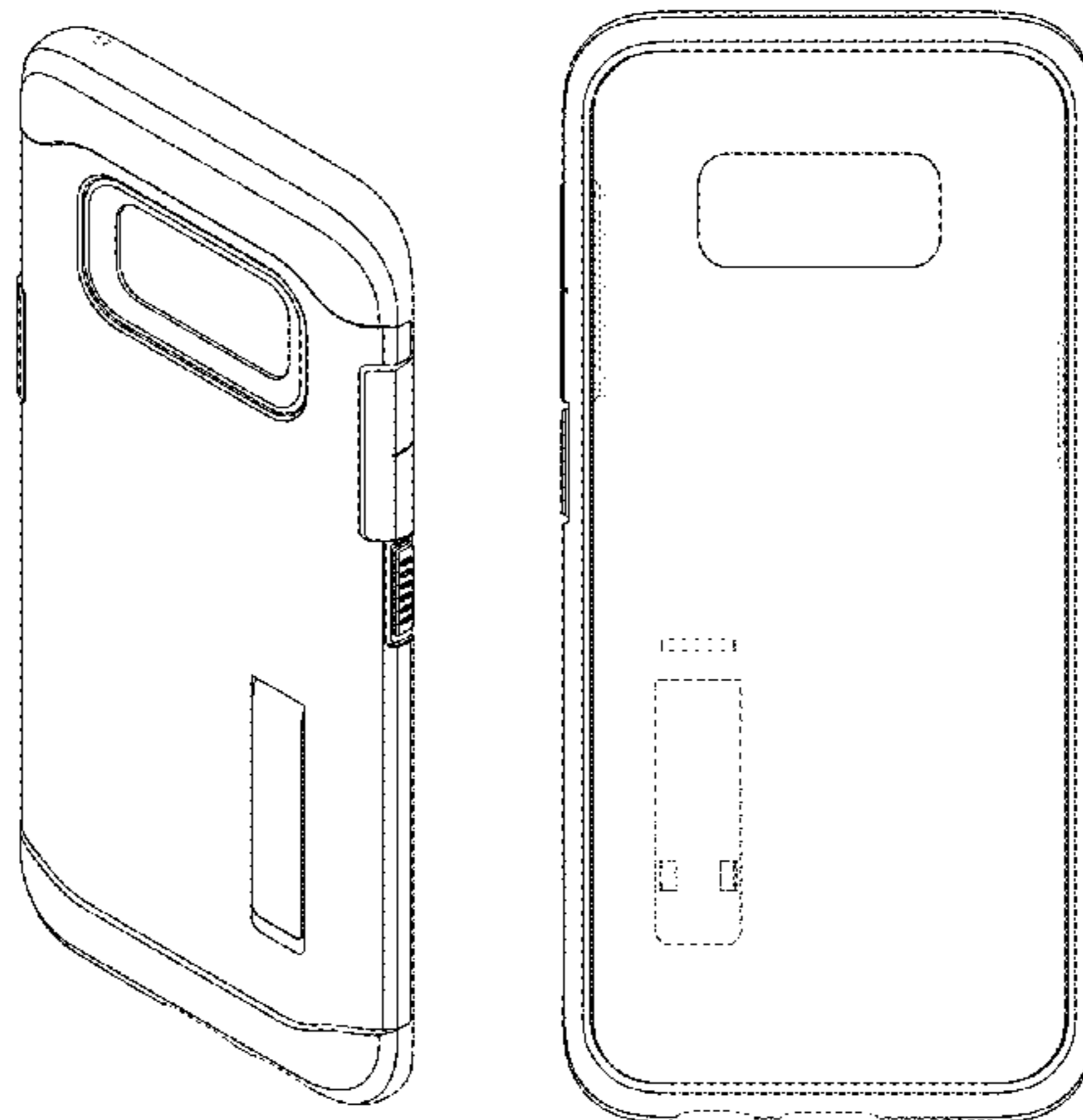
FIG. 1 is a front perspective view of a case for electronic communications device showing my new design;

FIG. 2 is a rear perspective view thereof;
 FIG. 3 is a front elevational view thereof;
 FIG. 4 is a rear elevational view thereof;
 FIG. 5 is a left side elevational view thereof;
 FIG. 6 is a right side elevational view thereof;
 FIG. 7 is a top plan view thereof;
 FIG. 8 is a bottom plan view thereof;
 FIG. 9 is a rear perspective view thereof showing a support leg in an extended position;
 FIG. 10 is an exploded front perspective view thereof showing the components of the case separated for clarity of disclosure;
 FIG. 11 is an exploded rear perspective view thereof showing the components of the case separated for clarity of disclosure;
 FIG. 12 is a front perspective view of the inner shell component of the case shown separately for clarity of disclosure;
 FIG. 13 is a rear perspective view thereof shown separately for clarity of disclosure;
 FIG. 14 is a front perspective view of the support leg component of the case shown separately for clarity of disclosure;
 FIG. 15 is a rear perspective view thereof shown separately for clarity of disclosure;
 FIG. 16 is a front perspective view of the outer frame component of the case shown separately for clarity of disclosure; and,
 FIG. 17 is a rear perspective view thereof shown separately for clarity of disclosure.

Although the case for electronic communications device, in which the claimed design is embodied, consists of an inner shell component, an outer frame component, and a support leg component, the claim is directed to the ornamental appearance of the case for electronic communications device in its entirety and does not extend to the ornamental appearance of each of the individual components of the case for electronic communications device.

The broken lines throughout the drawing figures depict portions of the case for electronic communications device that form no part of the claimed design. The interior of the case shown in FIGS. 1, 3, 10 and 12 form no part of the claimed design. The broken lines and regions bounded by broken lines form no part of the claimed design.

1 Claim, 17 Drawing Sheets



(58) **Field of Classification Search**

USPC D3/201, 218, 247, 269, 273, 301, 303;
D13/103, 107–108, 119
CPC H04B 1/3888; H04M 1/0283; H04M
1/0202; A45C 1/06; A45C 2011/002;
A45C 11/00; A45C 13/02; A45F
2005/026; A45F 2200/0525; A45F
2200/0516

See application file for complete search history.

(56) **References Cited**

U.S. PATENT DOCUMENTS

D650,371 S 12/2011 Wibby
D655,281 S 3/2012 Turocy
D681,615 S 5/2013 Fathollahi
D703,646 S 4/2014 Fathollahi
D706,254 S 6/2014 Chang
D718,757 S 12/2014 Jaffee
D718,758 S 12/2014 Jaffee
D721,360 S 1/2015 Laffon de Mazieres
D739,394 S 9/2015 Rayner et al.
D746,273 S 12/2015 Herbst
D746,275 S 12/2015 Mohammad
D749,535 S 2/2016 Joung
D753,099 S 4/2016 Kim
D763,841 S 8/2016 Kim
D765,634 S 9/2016 McCray et al.
D765,638 S 9/2016 Gaylord et al.
D765,640 S 9/2016 Bulkley et al.
D765,645 S 9/2016 Kim
D771,608 S * 11/2016 Kim D14/250
D772,209 S * 11/2016 Kim D14/250
D776,104 S 1/2017 Tien
D776,649 S 1/2017 Kim
D777,155 S 1/2017 Kim
D777,156 S 1/2017 Kim
D777,160 S 1/2017 Kim
D777,716 S 1/2017 Kim
D778,897 S 2/2017 Kim
D778,898 S 2/2017 Kim
D780,164 S 2/2017 Lee
D780,167 S 2/2017 Tien
D786,851 S * 5/2017 Kim D14/250
D786,852 S 5/2017 Kim

D786,854 S 5/2017 Kim
D787,491 S 5/2017 Kim
D787,492 S 5/2017 Kim
D788,090 S 5/2017 Kim
D789,344 S 6/2017 Kim
D791,755 S * 7/2017 Kim D14/250
D796,497 S * 9/2017 Kim D14/250
D797,094 S 9/2017 Kim
D800,713 S * 10/2017 Kim D14/250
D803,206 S * 11/2017 Kim D14/250
D806,063 S * 12/2017 Kim D14/250
2011/0050606 A1 3/2011 Zhang
2015/0335116 A1 11/2015 Kim
2016/0101902 A1 * 4/2016 Kim F16M 11/00
206/45.23
2016/0204817 A1 7/2016 Kim
2016/0269516 A1 9/2016 Kim
2016/0285301 A1 * 9/2016 Kim H02J 7/025
2016/0374443 A1 * 12/2016 Kim A45C 11/182
206/38
2017/0150792 A1 * 6/2017 Kim B08B 3/022
2017/0230072 A1 * 8/2017 Kim H04B 1/3888

OTHER PUBLICATIONS

Review of Spigen Slim Armor case for Galaxy S7 edge, published on May 20, 2016, URL:<https://www.androidcentral.com/review-spigen-slim-armor-case-galaxy-s7-edge>, retrieved from internet on Feb. 3, 2018.*

Spigen Tough Armor Samsung Galaxy S8 Plus Case, earliest customer review Apr. 28, 2017, URL: <https://www.mobilefun.co.uk/spigen-tough-armor-samsung-galaxy-s8-plus-case-gunmetal-63043>, retrieved from internet on Nov. 30, 2017.*

“Spigen Slim Armor Galaxy S6 Edge Case with Kickstand and Air Cushion Technology and Hybrid Drop Protection for Galaxy S6 Edge 2015—Metal Slate”, <https://www.amazon.com/SpigenKickstandCushionTechnologyProtection/dp/B00SV63G38>, Earliest review date of Apr. 3, 2015.

“Spigen Slim Armor Galaxy S7 Edge Case with Kickstand and Air Cushion Technology and Hybrid Drop Protection for Samsung Galaxy S7 Edge 2016—Gunmetal”, <https://www.amazon.com/SpigenKickstandCushionTechnologyProtection/dp/B01AUR1362>, Earliest review date of Feb. 24, 2016.

* cited by examiner

FIG. 1

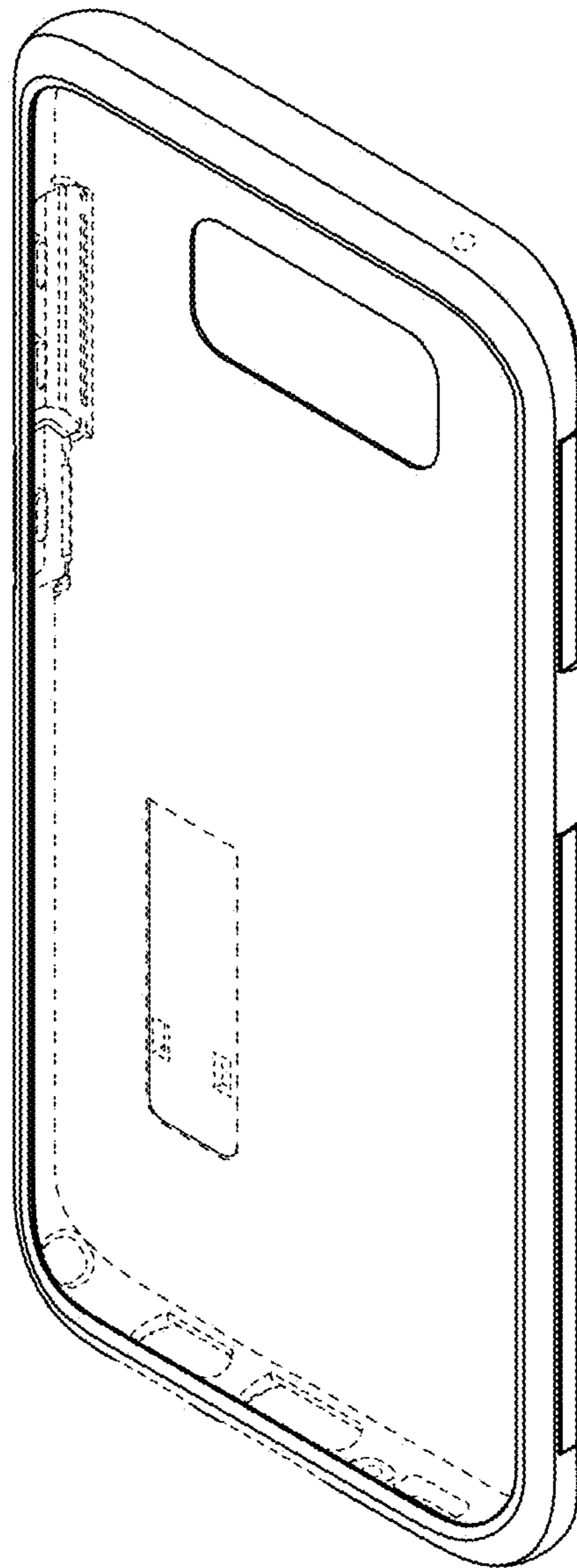


FIG. 2

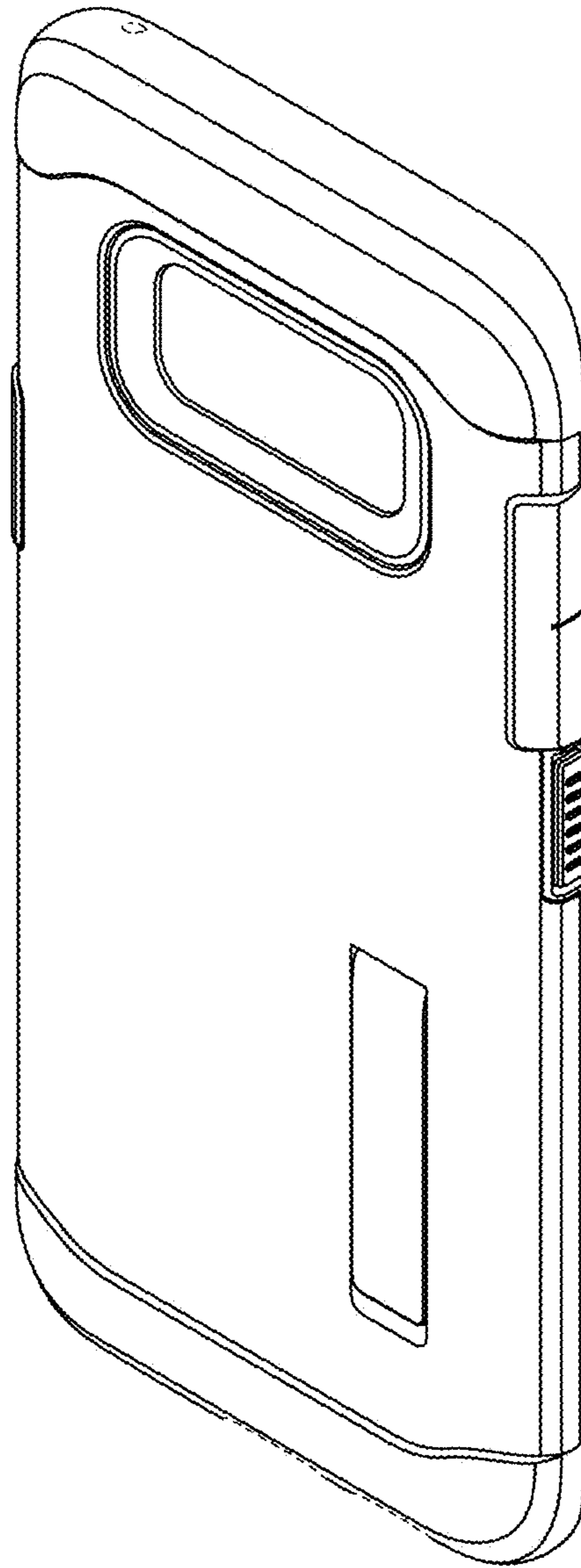


FIG. 3

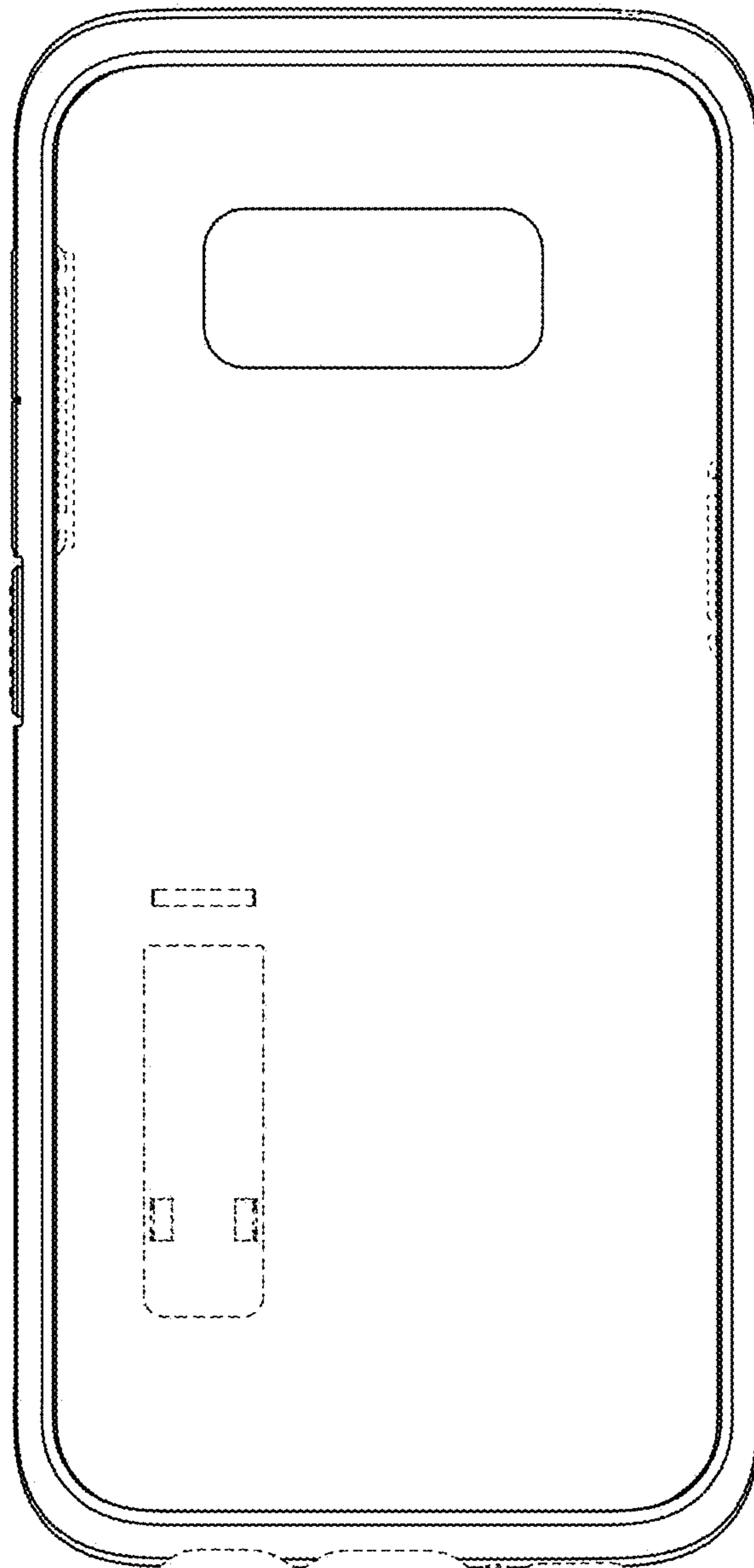


FIG. 4

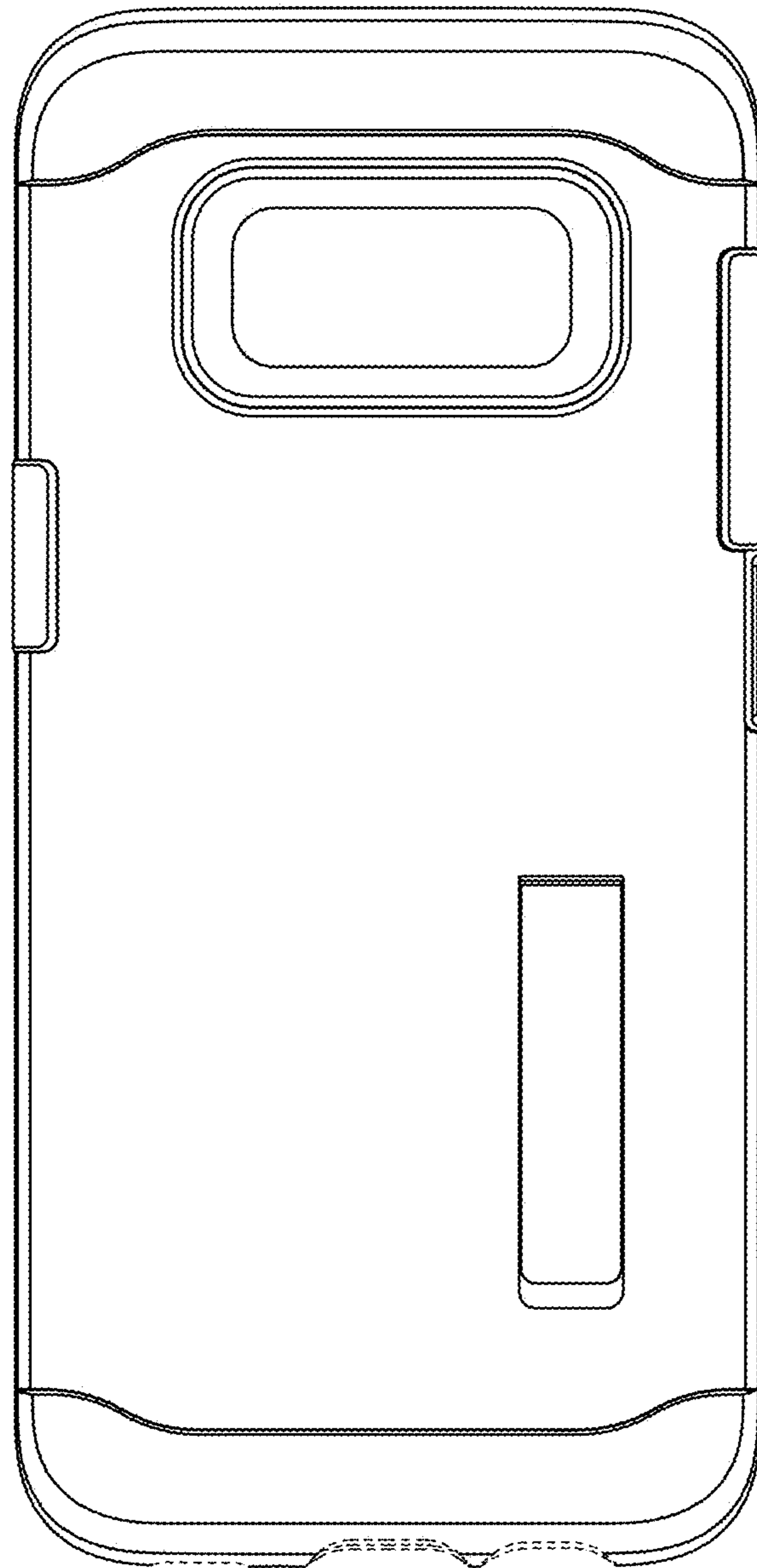


FIG. 5

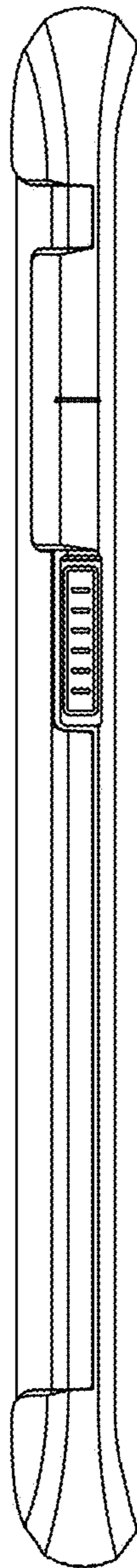


FIG. 6

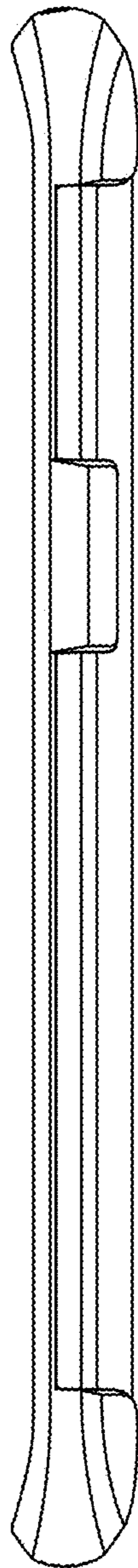


FIG. 7

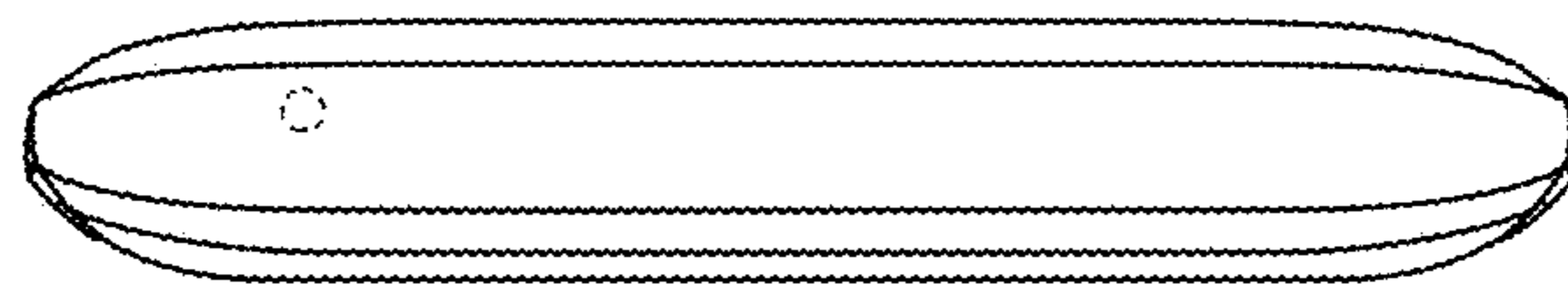


FIG. 8

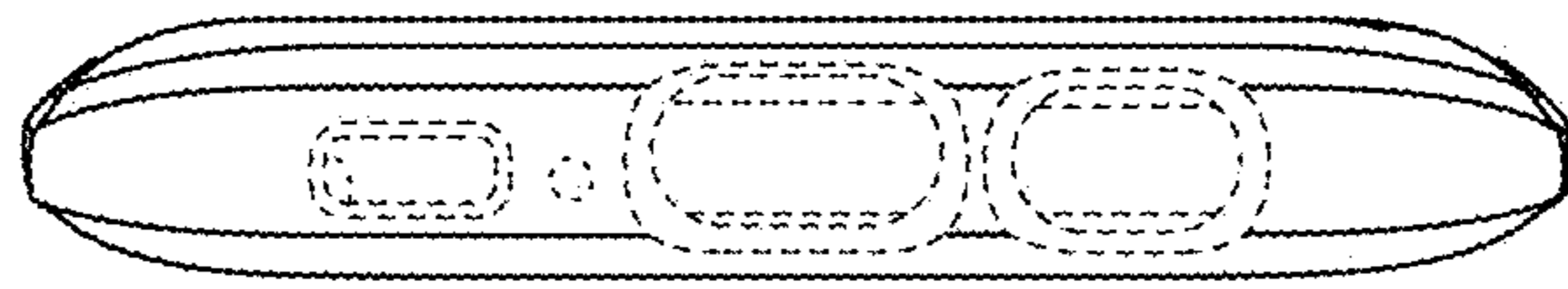


FIG. 9

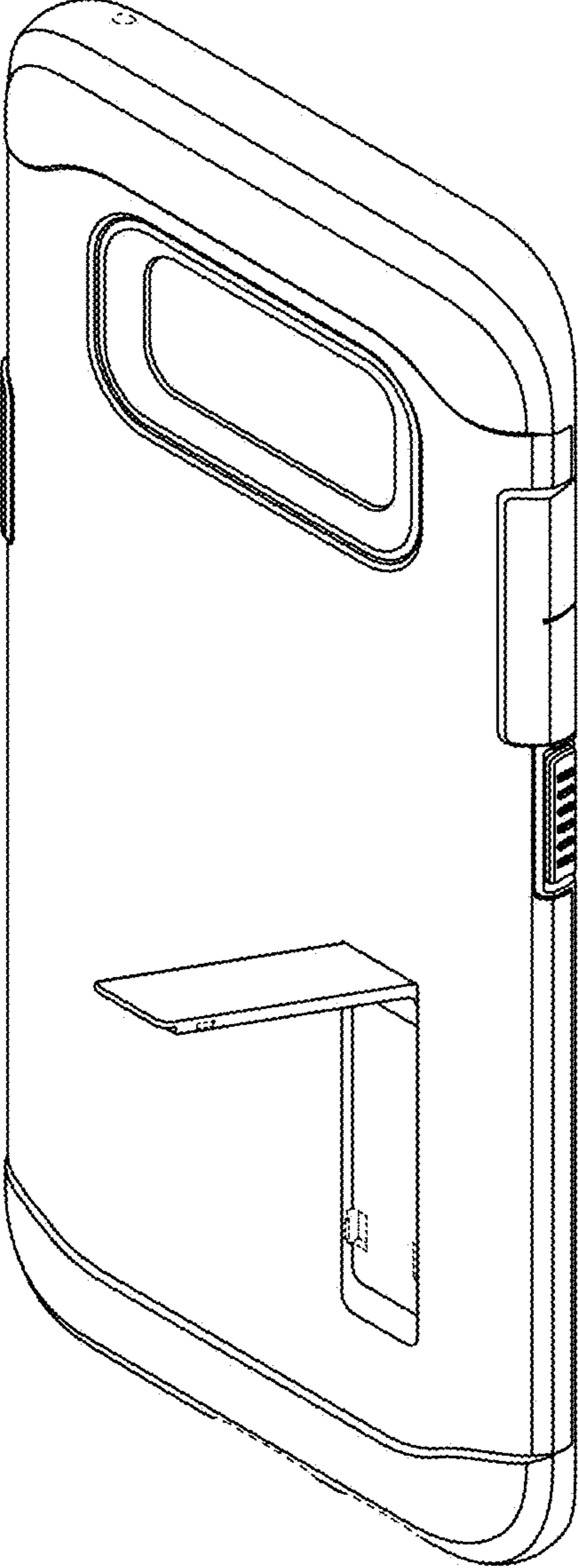


FIG. 10

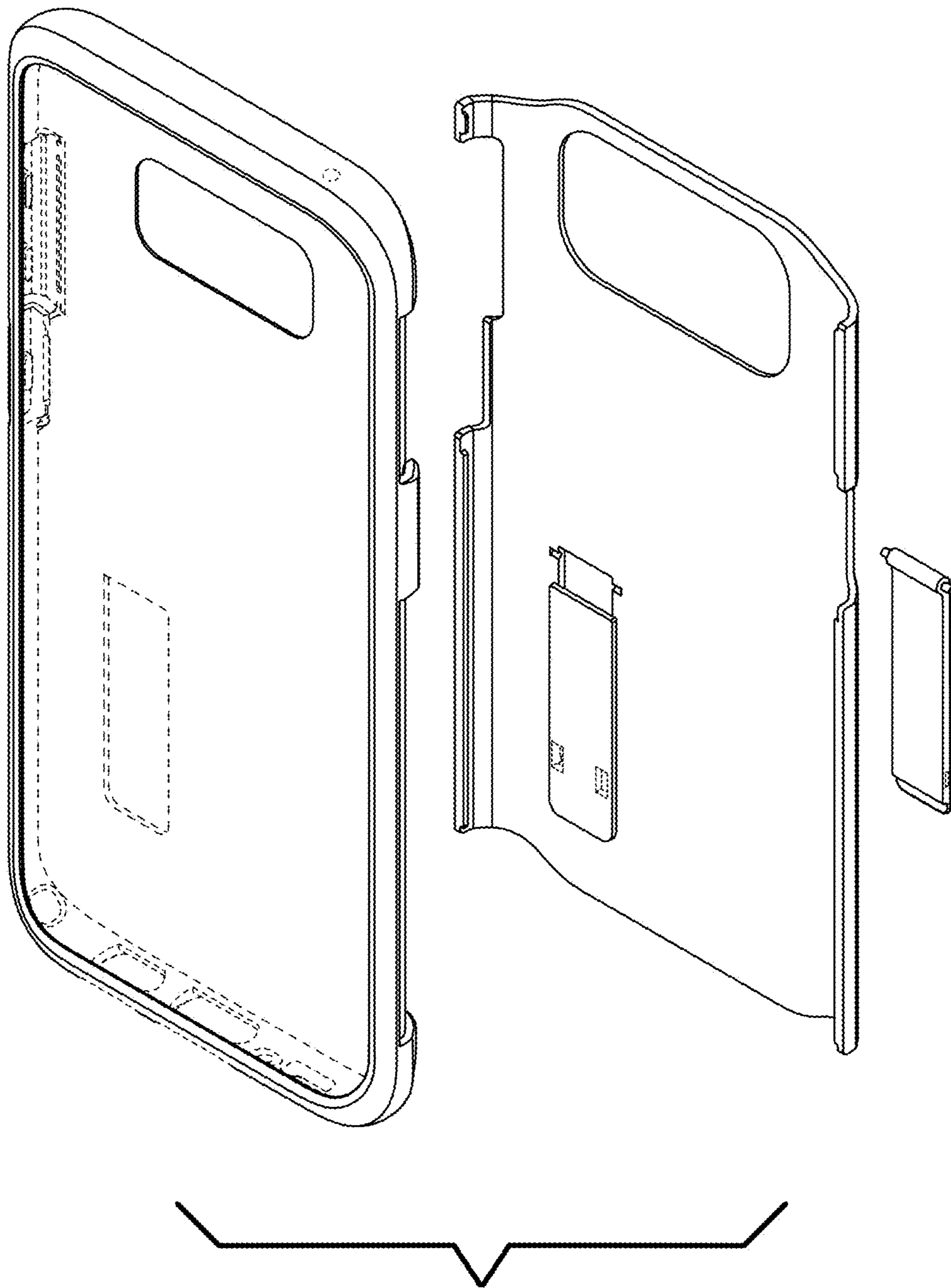


FIG. 11

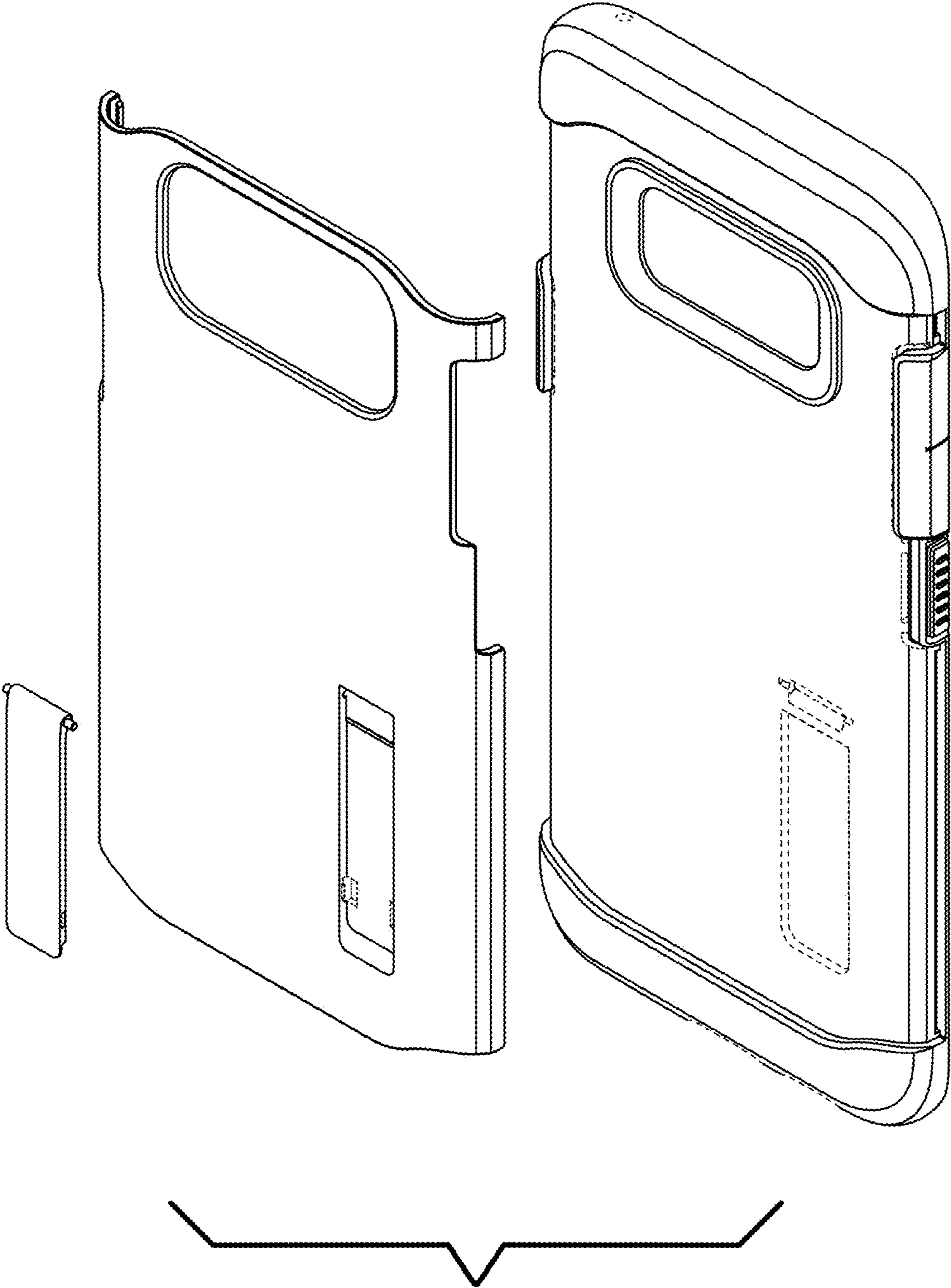


FIG. 12

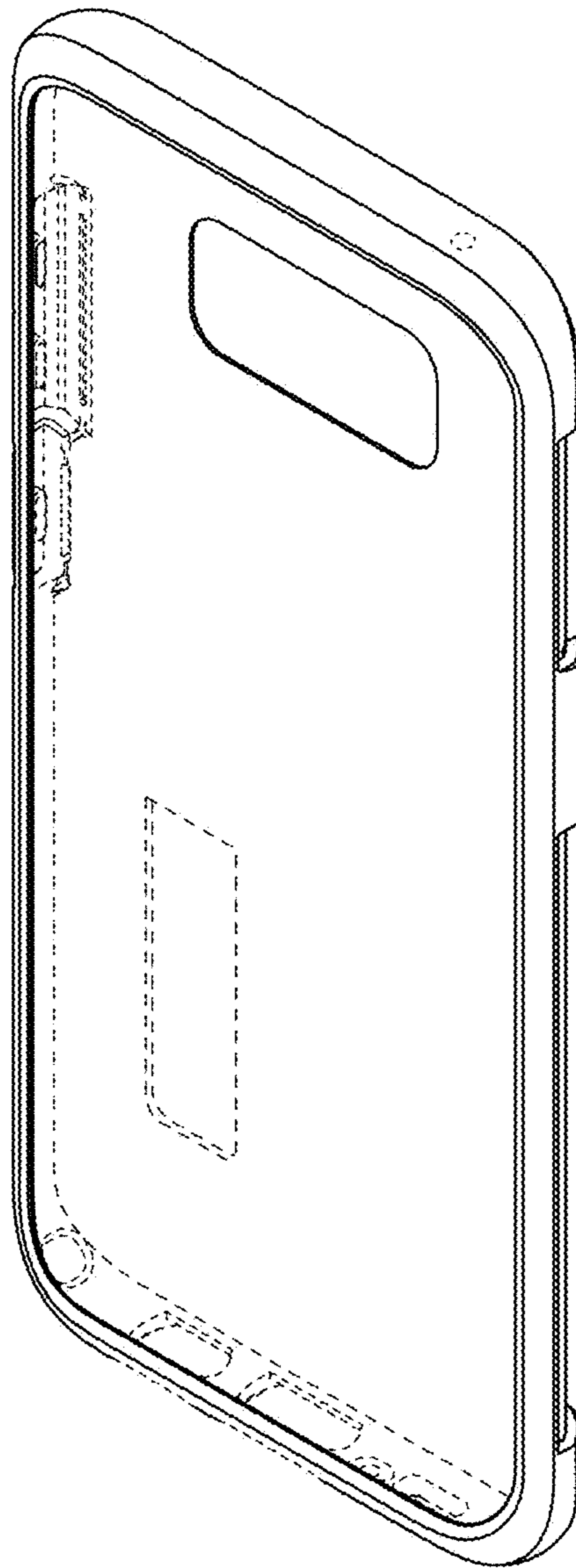


FIG. 13

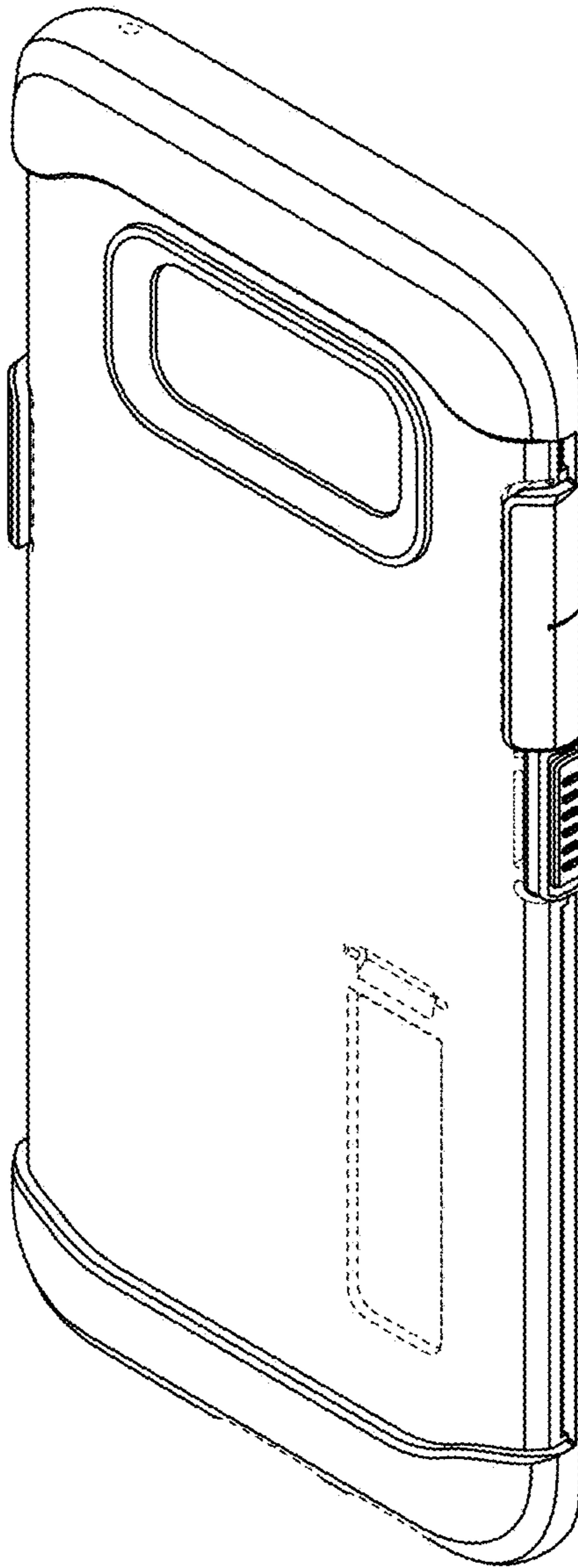


FIG. 14



FIG. 15

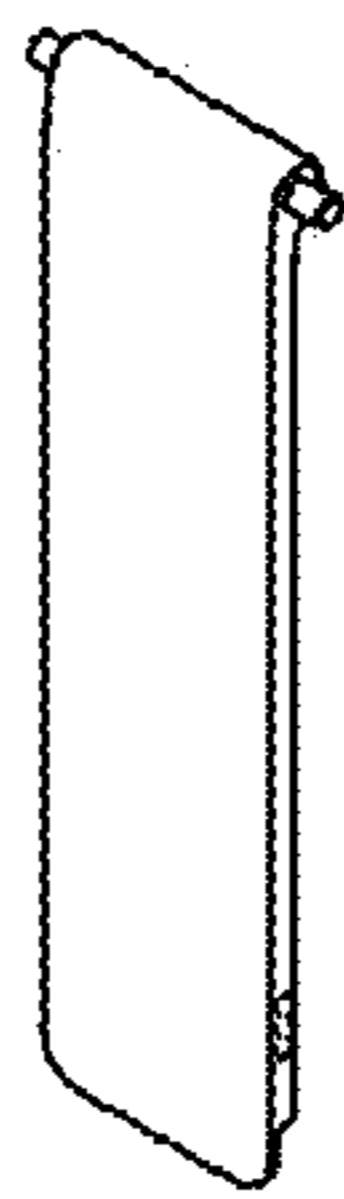


FIG. 16

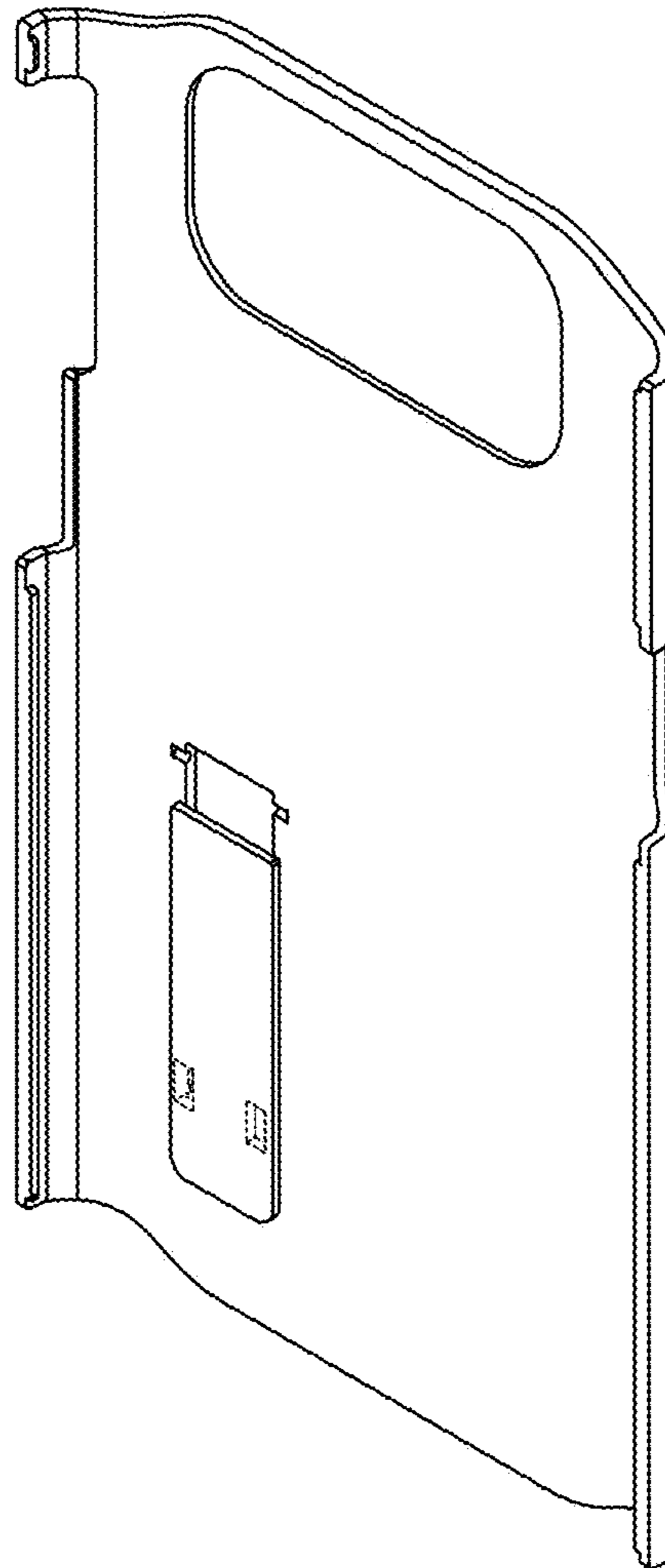


FIG. 17

