



US00D836620S

(12) **United States Design Patent**  
**Ehrlich**

(10) **Patent No.:** **US D836,620 S**  
(45) **Date of Patent:** **\*\* Dec. 25, 2018**

(54) **MOBILE COMMUNICATION DEVICE CASE WITH HOLLOW CORE DOOR**

(71) Applicant: **Jake Ehrlich**, San Francisco, CA (US)

(72) Inventor: **Jake Ehrlich**, San Francisco, CA (US)

(\*\*) Term: **15 Years**

(21) Appl. No.: **29/530,309**

(22) Filed: **Jun. 16, 2015**

(51) **LOC (11) Cl.** ..... **14-03**

(52) **U.S. Cl.**  
USPC ..... **D14/250**

(58) **Field of Classification Search**  
USPC ..... D14/248, 439, 203.3–203.7, 447, 238.1,  
D14/440, 251–253, 217, 240, 250;  
(Continued)

(56) **References Cited**

U.S. PATENT DOCUMENTS

D575,506 S \* 8/2008 Huang ..... D3/247  
D615,078 S \* 5/2010 Bradley ..... D14/250  
(Continued)

OTHER PUBLICATIONS

The Safe Wallet iPhone 6 Plus Case, published on Jan. 5, 2015,  
URL:<<http://gadgets.in.com/the-safe-wallet-iphone-6-plus-case.htm>>, retrieved from internet on Apr. 18, 2018.\*

(Continued)

*Primary Examiner* — Carla J Wright

(74) *Attorney, Agent, or Firm* — David Olsen

(57) **CLAIM**

The ornamental design for a mobile communication device case with hollow core door, as shown and described.

**DESCRIPTION**

FIG. 1 is a front, top, and right-side perspective view of a mobile communication device case with hollow core door showing a first embodiment of my new design;

FIG. 2 is a rear, top, and right-side perspective view thereof; FIG. 3 is a rear, top, and right-side perspective view thereof wherein the hollow core door is shown in an open state; FIG. 4 is a rear, top, and right-side perspective view thereof wherein the hollow core door and the storage compartment door are shown in an open state; FIG. 5 is a front elevation view thereof; FIG. 6 is a right-side elevation view thereof wherein the hollow core door and the storage compartment door are in a closed state; FIG. 7 is a rear elevation view thereof; FIG. 8 is a left-side elevation view thereof; FIG. 9 is a top plan view thereof; FIG. 10 is a bottom plan view thereof; and FIG. 11 is a top plan view thereof wherein the hollow core door is shown in an open state. FIG. 12 is a front, top, and right-side perspective view of a mobile communication device case with hollow core door showing a second embodiment of my new design; FIG. 13 is a rear, top, and right-side perspective view thereof; FIG. 14 is a rear, top, and right-side perspective view thereof wherein the hollow core door is shown in an open state; FIG. 15 is a rear, top, and right-side perspective view thereof wherein the hollow core door and the storage compartment door are shown in an open state; FIG. 16 is a front elevation view thereof; FIG. 17 is a rear elevation view thereof wherein the hollow core door is shown in a closed state; FIG. 18 is a top plan view thereof; and FIG. 19 is a top plan view thereof wherein the hollow core door is shown in an open state. FIG. 20 is a rear, top, and right-side perspective view of a mobile communication device case showing a third embodiment of my new design; FIG. 21 is a rear, top, and right-side perspective view thereof wherein the hollow core door is shown in an open state; FIG. 22 is a rear, top, and right-side perspective view thereof wherein the hollow core door and the storage compartment door are shown in an open state; FIG. 23 is a right-side elevation view thereof wherein the hollow core door is in a closed state; FIG. 24 is a rear elevation view thereof;

(Continued)

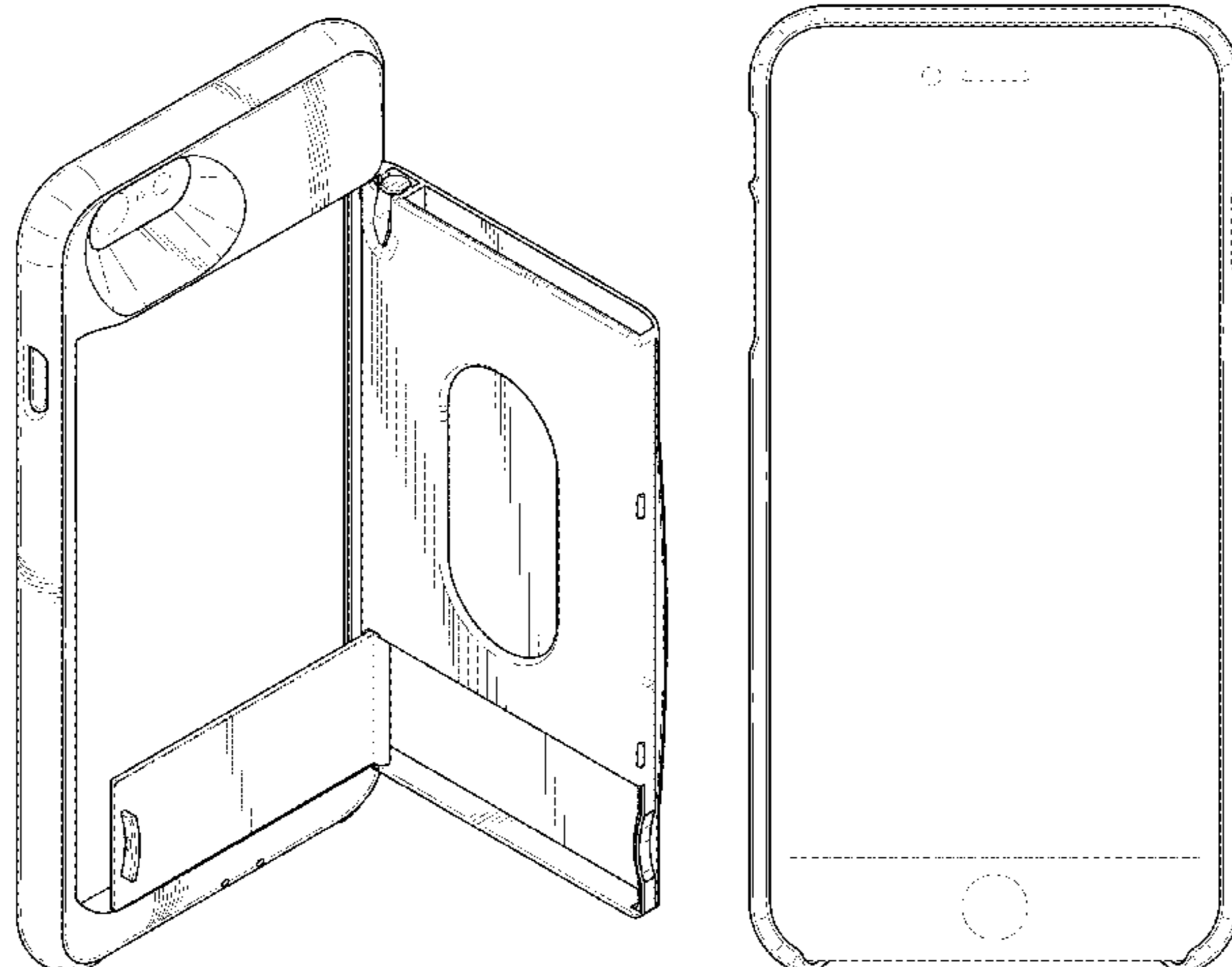


FIG. 25 is a left-side elevation view thereof;  
 FIG. 26 is a top plan view thereof;  
 FIG. 27 is a bottom plan view thereof; and  
 FIG. 28 is a top plan view thereof wherein the hollow core door is shown in an open state.  
 FIG. 29 is a front, top, and right-side perspective view of a mobile communication device case showing a fourth embodiment of my new design;  
 FIG. 30 is a rear, top, and right-side perspective view thereof;  
 FIG. 31 is a rear, top, and right-side perspective view thereof wherein the hollow core door is shown in an open state;  
 FIG. 32 is a front elevation view thereof;  
 FIG. 33 is a right-side elevation view thereof wherein the hollow core door is in a closed state;  
 FIG. 34 is a rear elevation view thereof;  
 FIG. 35 is a left-side elevation view thereof;  
 FIG. 36 is a top plan view thereof;  
 FIG. 37 is a bottom plan view thereof; and  
 FIG. 38 is a rear elevation view thereof wherein the hollow core door is shown in an open state.  
 FIG. 39 is a front, top, and right-side perspective view of a mobile communication device case showing a fifth embodiment of my new design;  
 FIG. 40 is a rear, top, and right-side perspective view thereof;  
 FIG. 41 is a rear, top, and right-side perspective view thereof wherein the hollow core door is shown in an open state;  
 FIG. 42 is a front elevation view thereof;  
 FIG. 43 is a rear elevation view thereof wherein the hollow core door is shown in a closed state;  
 FIG. 44 is a top plan view thereof; and  
 FIG. 45 is a rear elevation view thereof wherein the hollow core door is shown in an open state.  
 FIG. 46 is a rear, top, and right-side perspective view of a mobile communication device case showing a sixth embodiment of my new design;  
 FIG. 47 is a rear, top, and right-side perspective view thereof wherein the hollow core door is shown in an open state;  
 FIG. 48 is a right-side elevation view thereof wherein the hollow core door is shown in a closed state;  
 FIG. 49 is a rear elevation view thereof;  
 FIG. 50 is a left-side elevation view thereof;  
 FIG. 51 is a top plan view thereof;  
 FIG. 52 is a bottom plan view thereof; and,  
 FIG. 53 is a rear elevation view thereof wherein the hollow core door is shown in an open state.  
 The broken lines in the drawing figures depict an environmental mobile communications device that forms no part of the claimed design in the embodiments in which it is shown.

1 Claim, 40 Drawing Sheets

(58) **Field of Classification Search**  
 USPC ..... D3/201, 218, 247, 269, 273, 301, 303;  
 D13/103, 107–108, 119  
 CPC ..... H04B 1/3888; H04M 1/0283; H04M  
 1/0202; A45C 1/06; A45C 2011/002;  
 A45C 11/00; A45C 13/02; A45F  
 2005/026; A45F 2200/0525; A45F  
 2200/0516

See application file for complete search history.

(56) **References Cited**

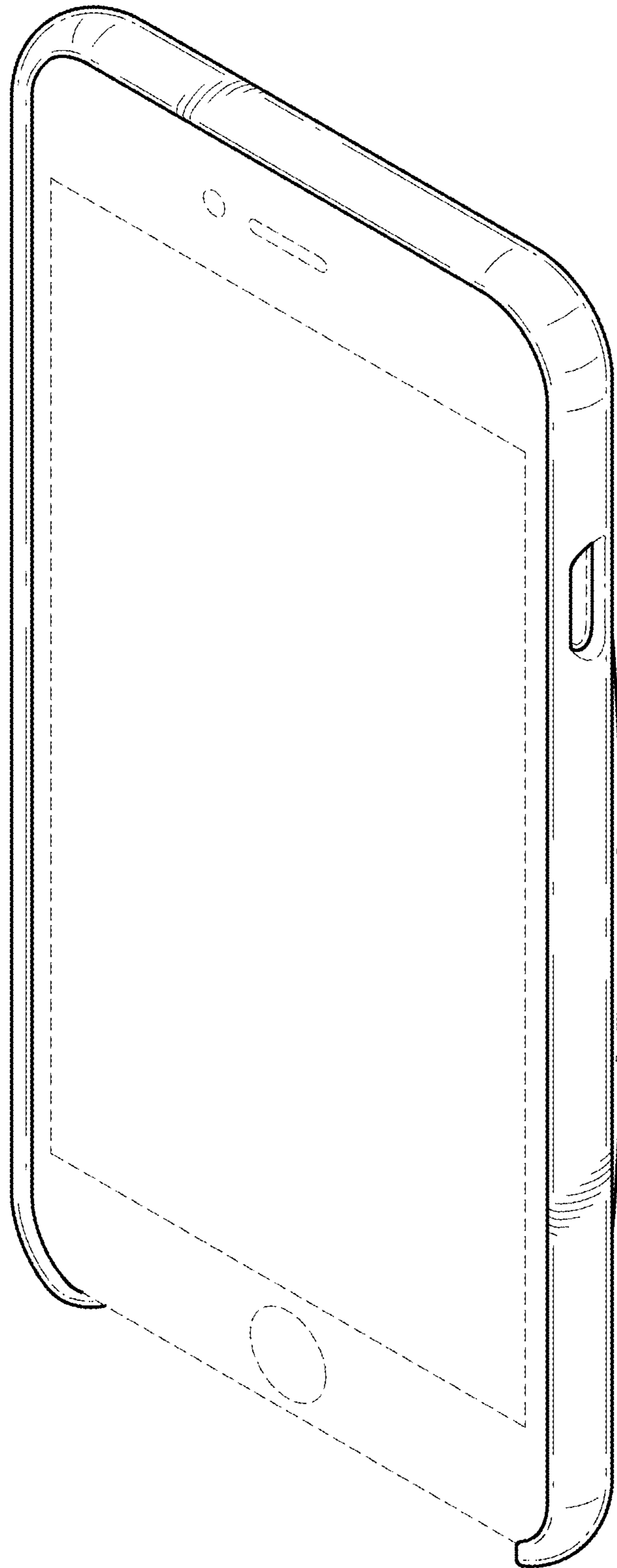
U.S. PATENT DOCUMENTS

D624,064	S *	9/2010	Esposito	.....	D14/250
D681,620	S *	5/2013	Huskinson	.....	D14/250
D686,606	S *	7/2013	Hong	.....	D14/250
D688,654	S *	8/2013	Stevinson	.....	D14/250
D688,655	S *	8/2013	Rey-Hipolito	.....	D14/250
D703,650	S *	4/2014	Ehrlich	.....	D14/250
D703,651	S *	4/2014	Ehrlich	.....	D14/250
D705,764	S *	5/2014	Thoni	.....	D14/250
D712,891	S *	9/2014	Fathollahi	.....	D14/250
D717,777	S *	11/2014	Hemesath	.....	D14/250
D721,689	S *	1/2015	Altschul	.....	H04B 1/3888 D14/250
D723,532	S *	3/2015	Stevinson	.....	D14/250
D723,535	S *	3/2015	Minn	.....	D14/250
D744,470	S *	12/2015	Stevinson	.....	D14/250
9,312,905	B2 *	4/2016	Ehrlich	.....	H04B 1/3888
D759,004	S *	6/2016	Stevinson	.....	D14/250
D765,069	S *	8/2016	Jeffrey	.....	D14/250
D776,646	S *	1/2017	Deng	.....	D14/250
9,661,116	B1 *	5/2017	Chung	.....	A45C 11/00
9,681,719	B2 *	6/2017	Ehrlich	.....	A45C 11/00
2014/0051488	A1 *	2/2014	Chung	.....	H04M 1/0279 455/575.8
2014/0370946	A1 *	12/2014	Daniell	.....	H04M 1/0283 455/575.8
2015/0141082	A1 *	5/2015	Ehrlich	.....	H04B 1/3888 455/575.1
2016/0206065	A1 *	7/2016	Ehrlich	.....	A45C 11/00

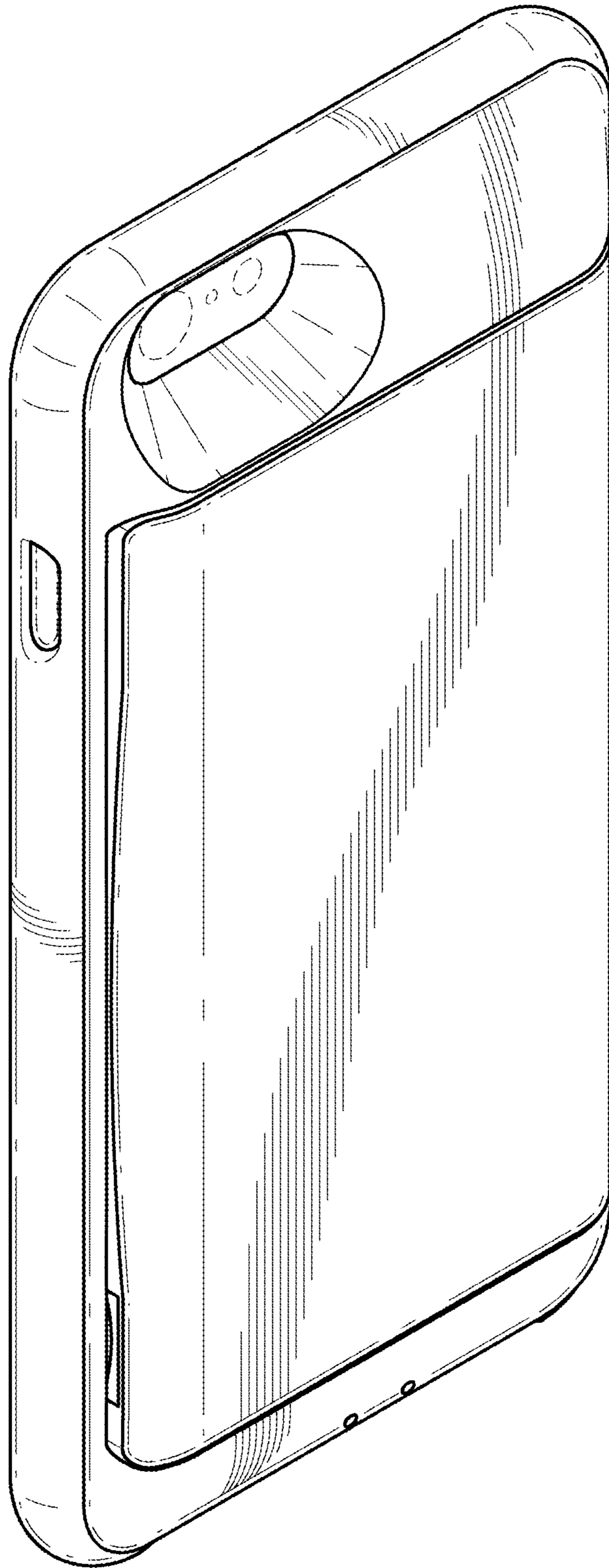
OTHER PUBLICATIONS

BulletTrain Safe Wallet Case for iPhone 6 Plus Launches on Kickstarter, published on Dec. 18, 2014, URL:<<https://www.geeky-gadgets.com/bullettrain-safe-wallet-case-for-iphone-6-plus-18-12-2014/>>, retrieved from internet on Apr. 18, 2018.\*  
 Safe Wallet iPhone 6 Case Holds Your Phone and Essentials, published on Apr. 10, 2015, URL:<<http://gadgetsin.com/safe-wallet-iphone-6-case-holds-your-phone-and-essentials.htm>>, retrieved from internet on Apr. 18, 2018.\*  
 BulletTrain BulletBlog by JakeE: Safe Wallet for iPhone SE, published on Mar. 31, 2016, URL:<<http://bulletblogbyjakee.blogspot.com/2016/03/safe-wallet-for-iphone-se.html>>, retrieved from internet on Apr. 18, 2018.\*

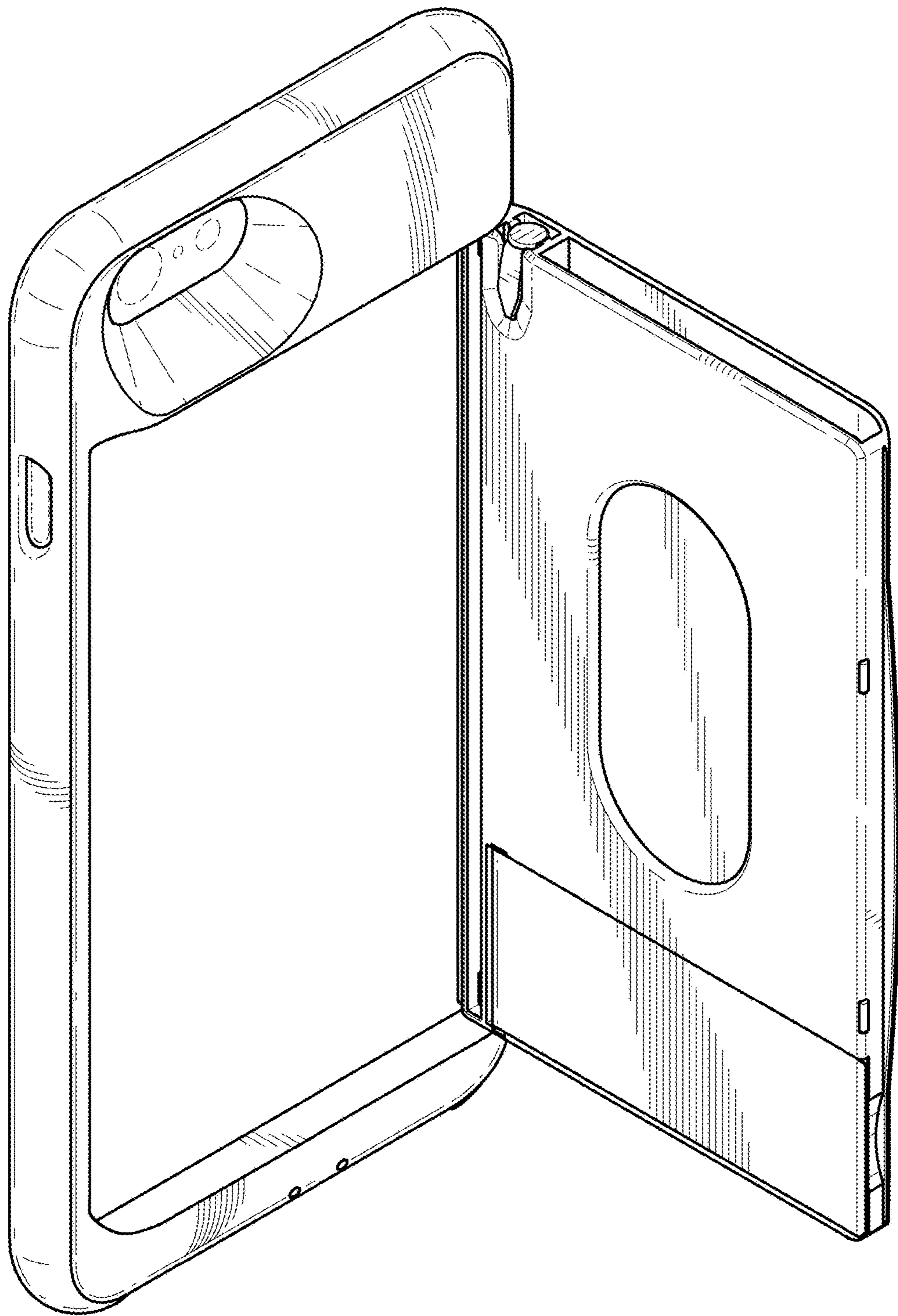
\* cited by examiner



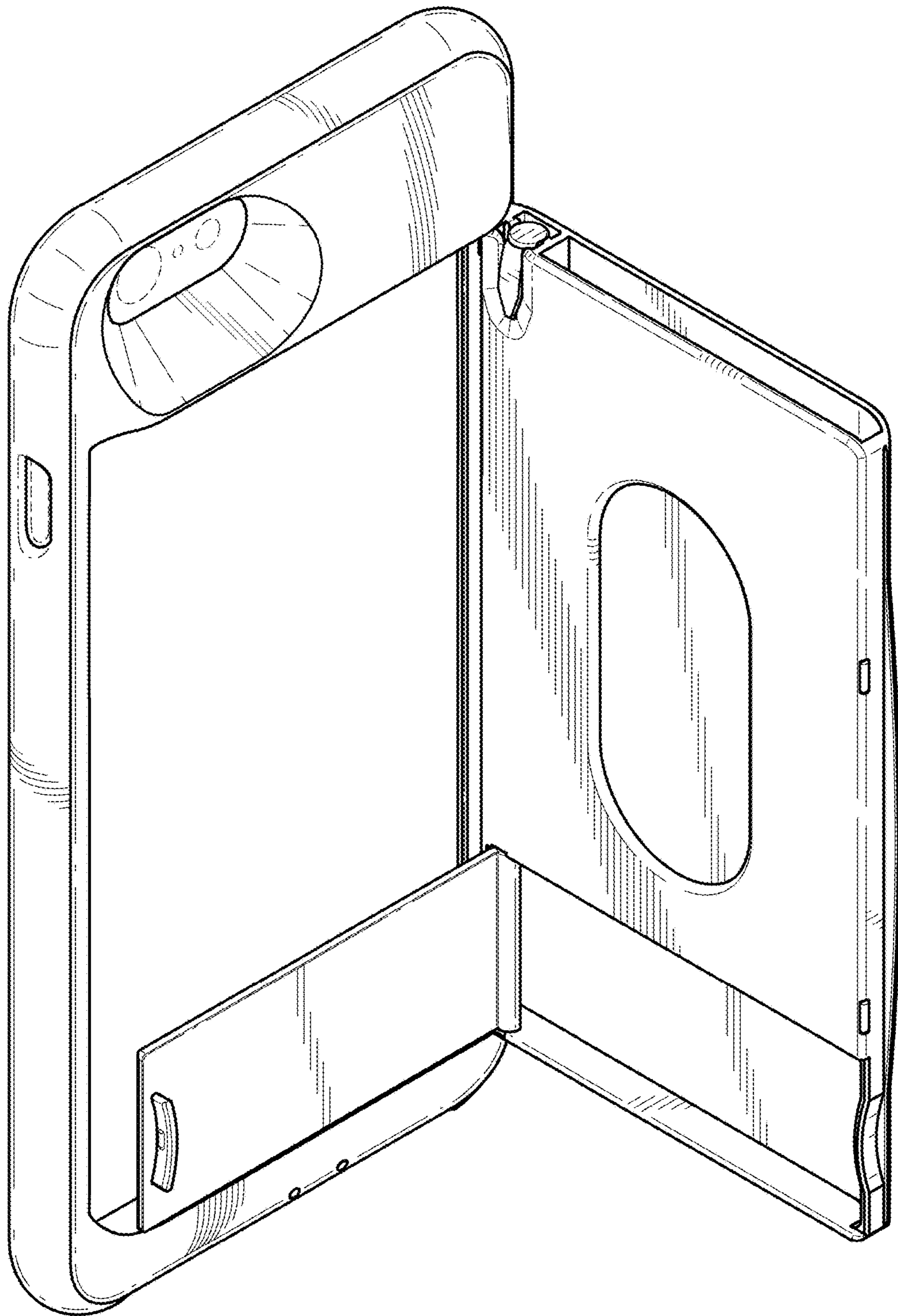
**FIG. 1**



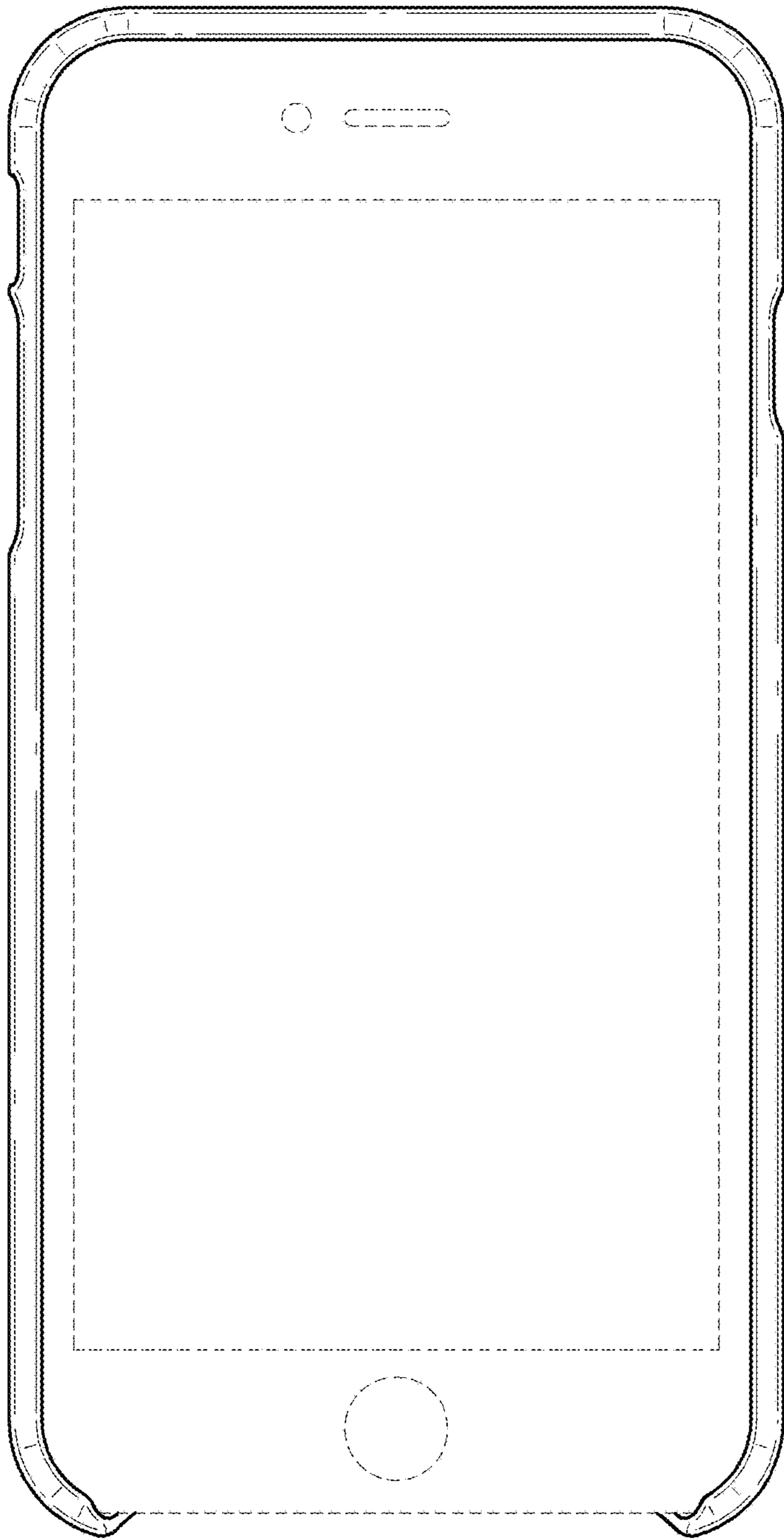
**FIG. 2**



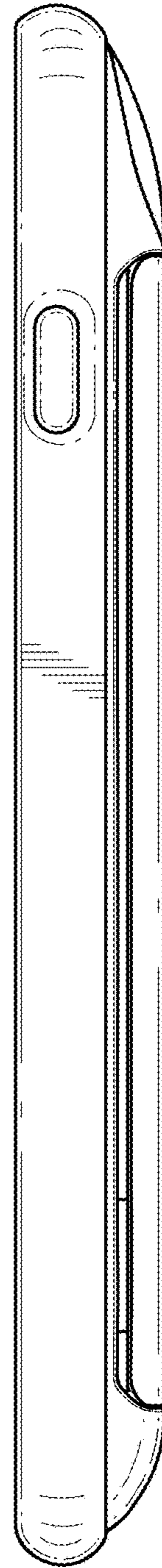
**FIG. 3**



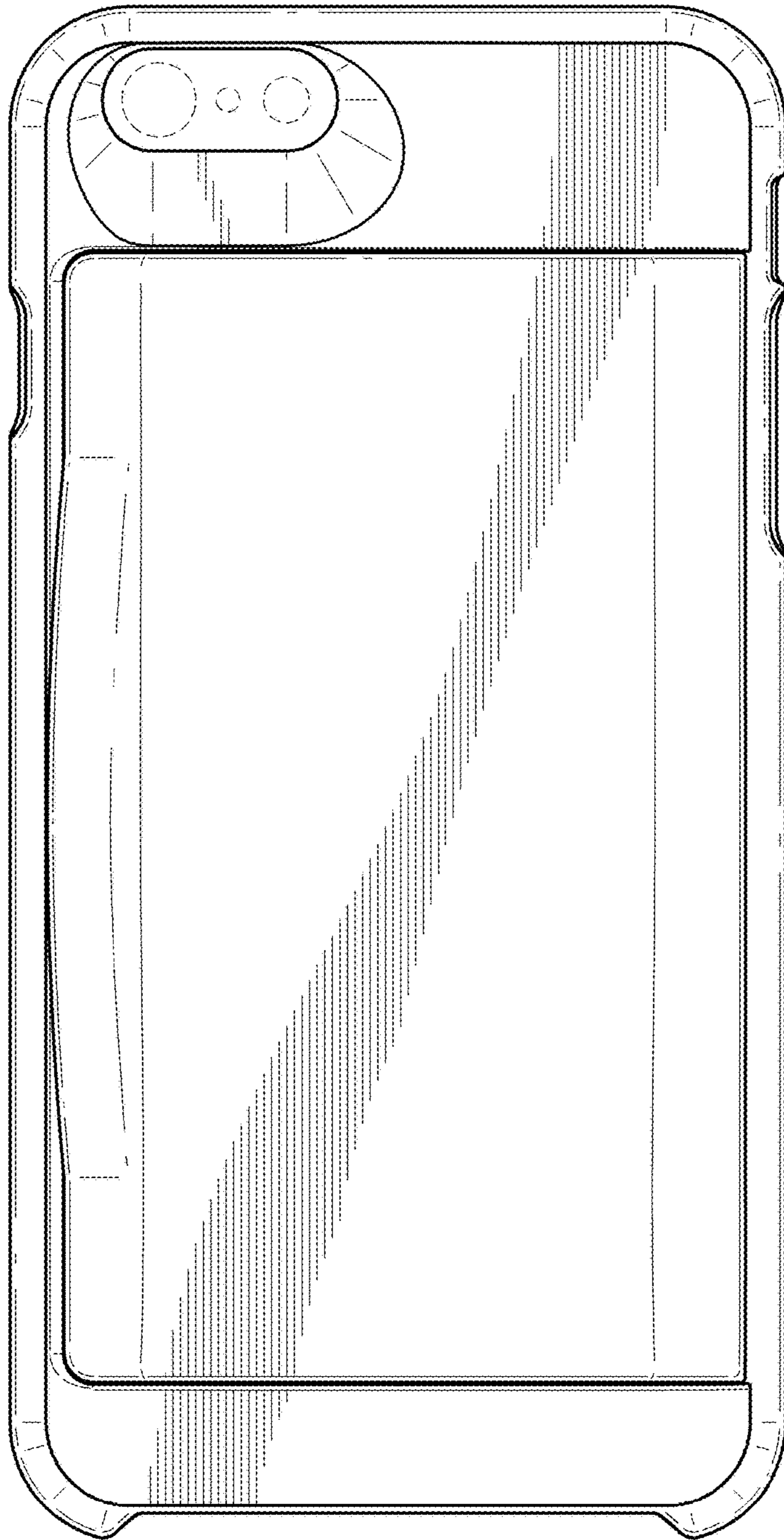
**FIG. 4**



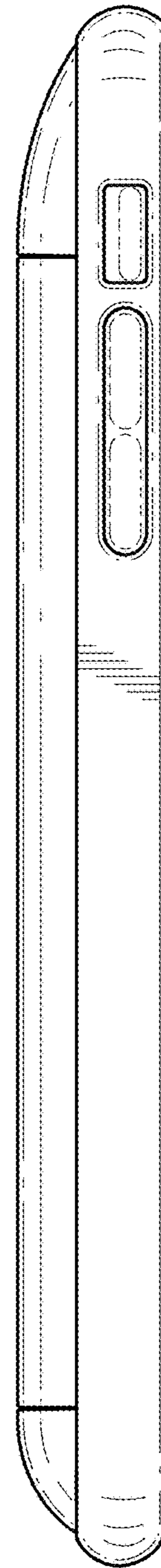
**FIG. 5**



**FIG. 6**



**FIG. 7**

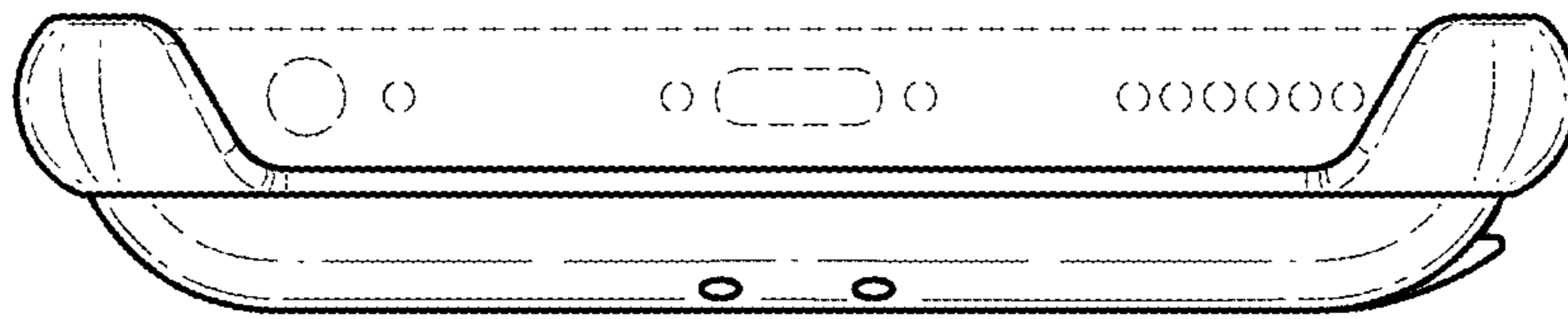


**FIG. 8**

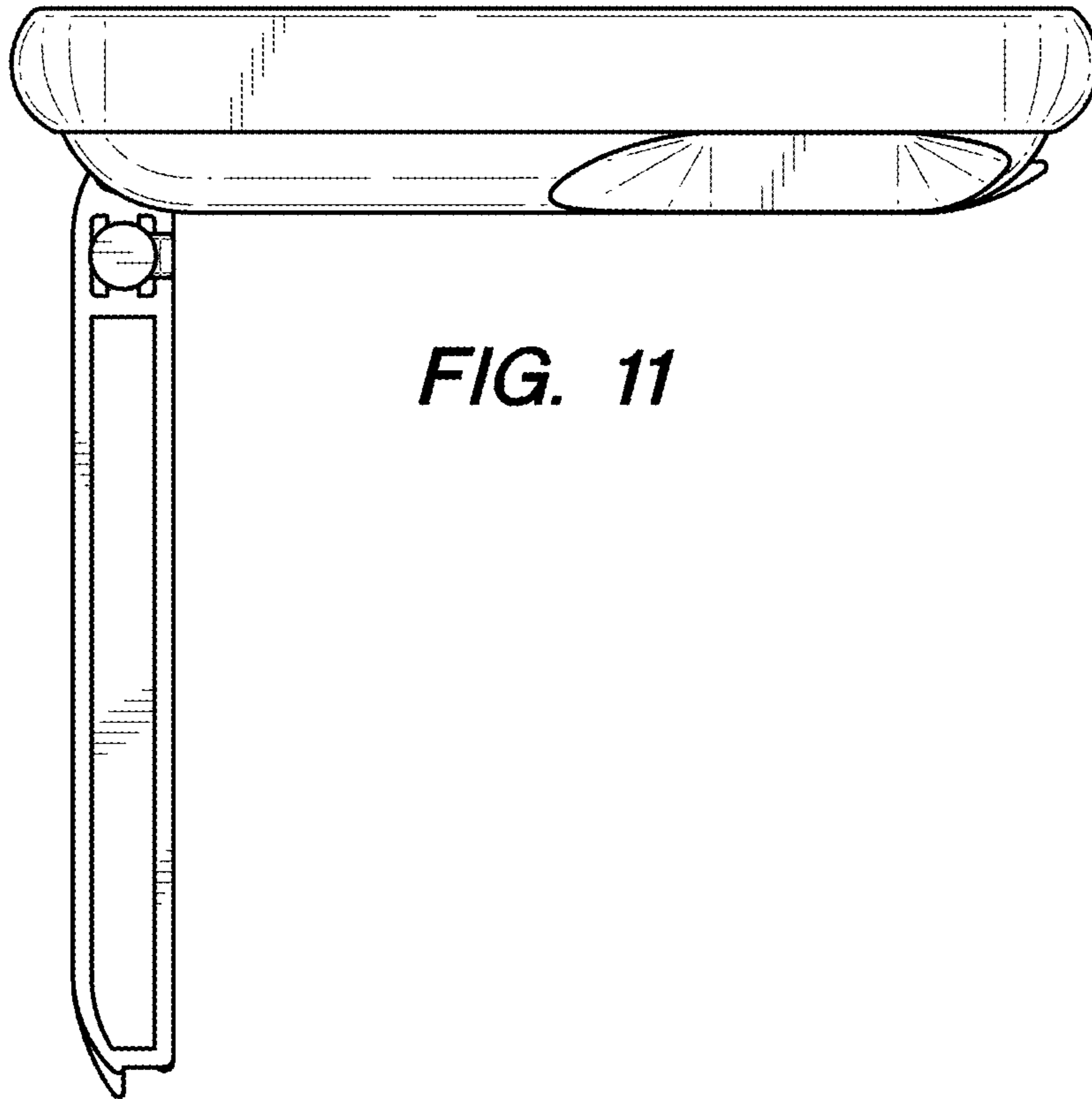




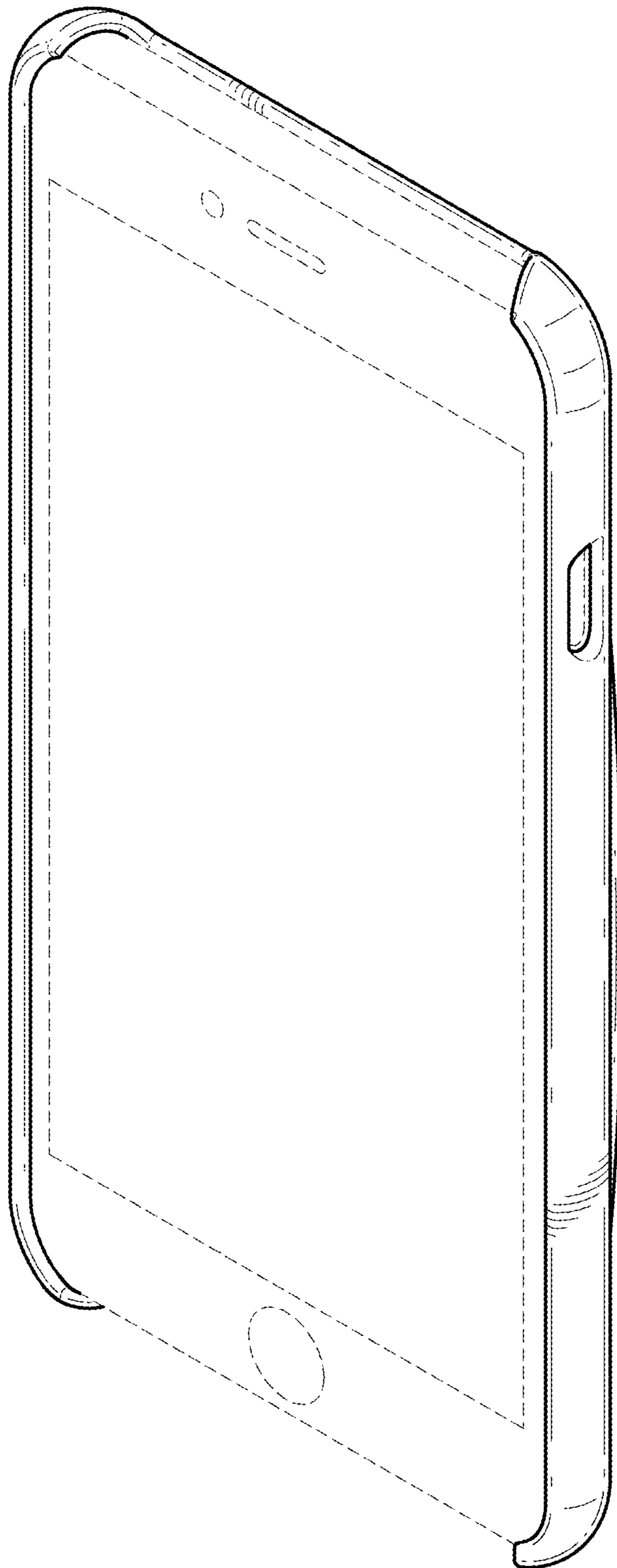
**FIG. 9**



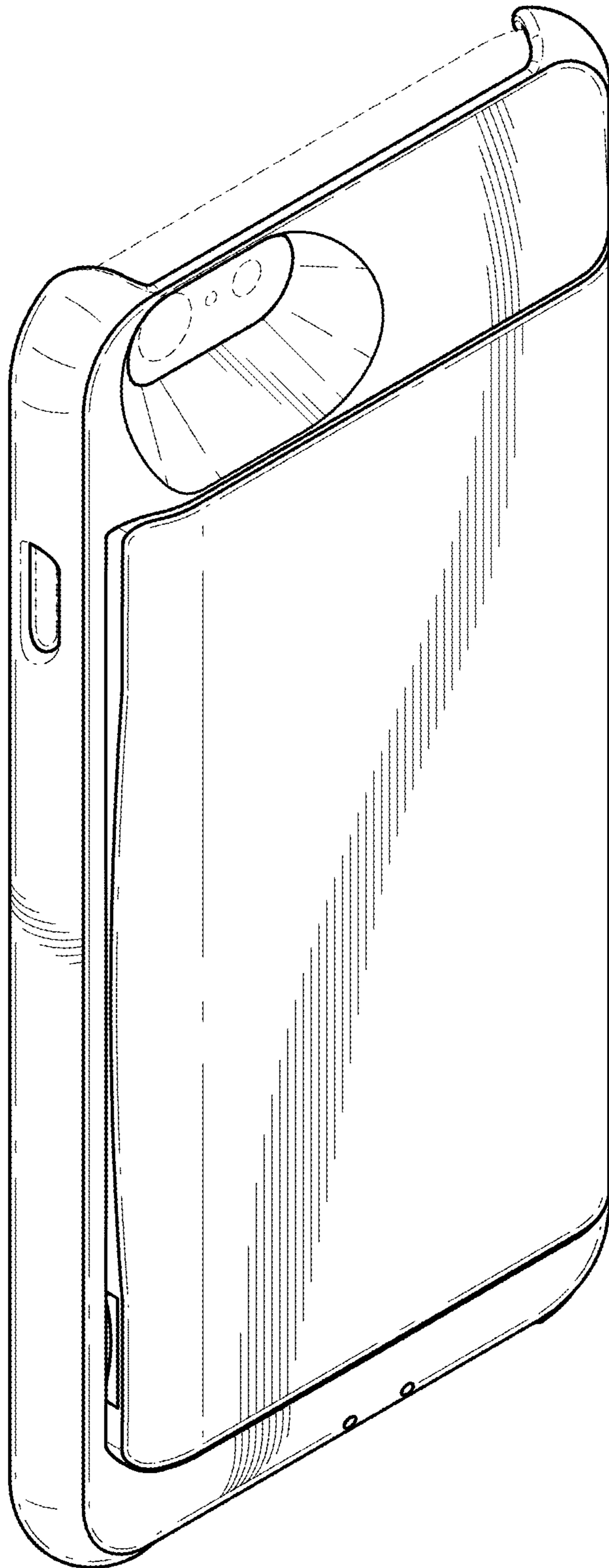
**FIG. 10**



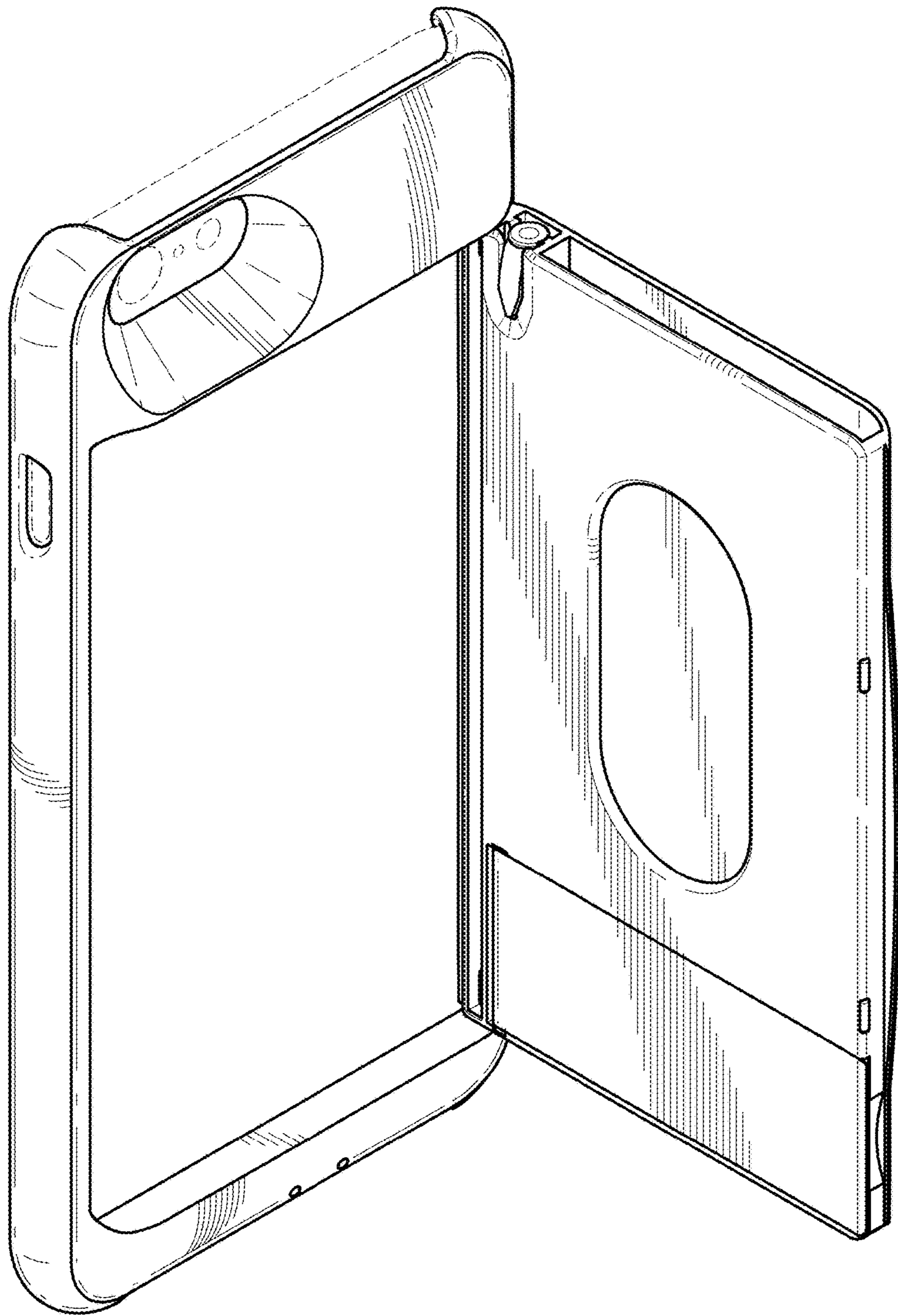
**FIG. 11**



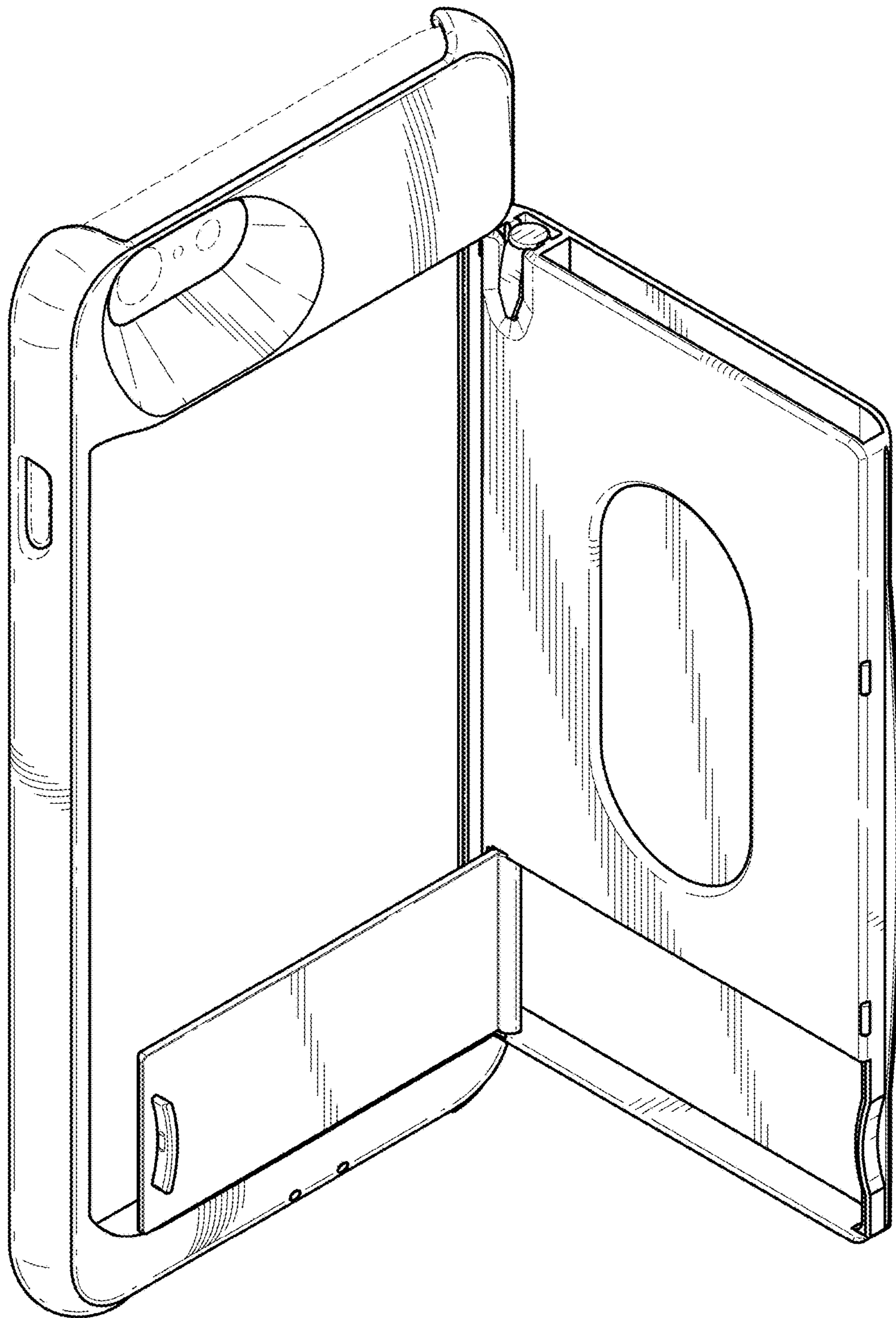
**FIG. 12**



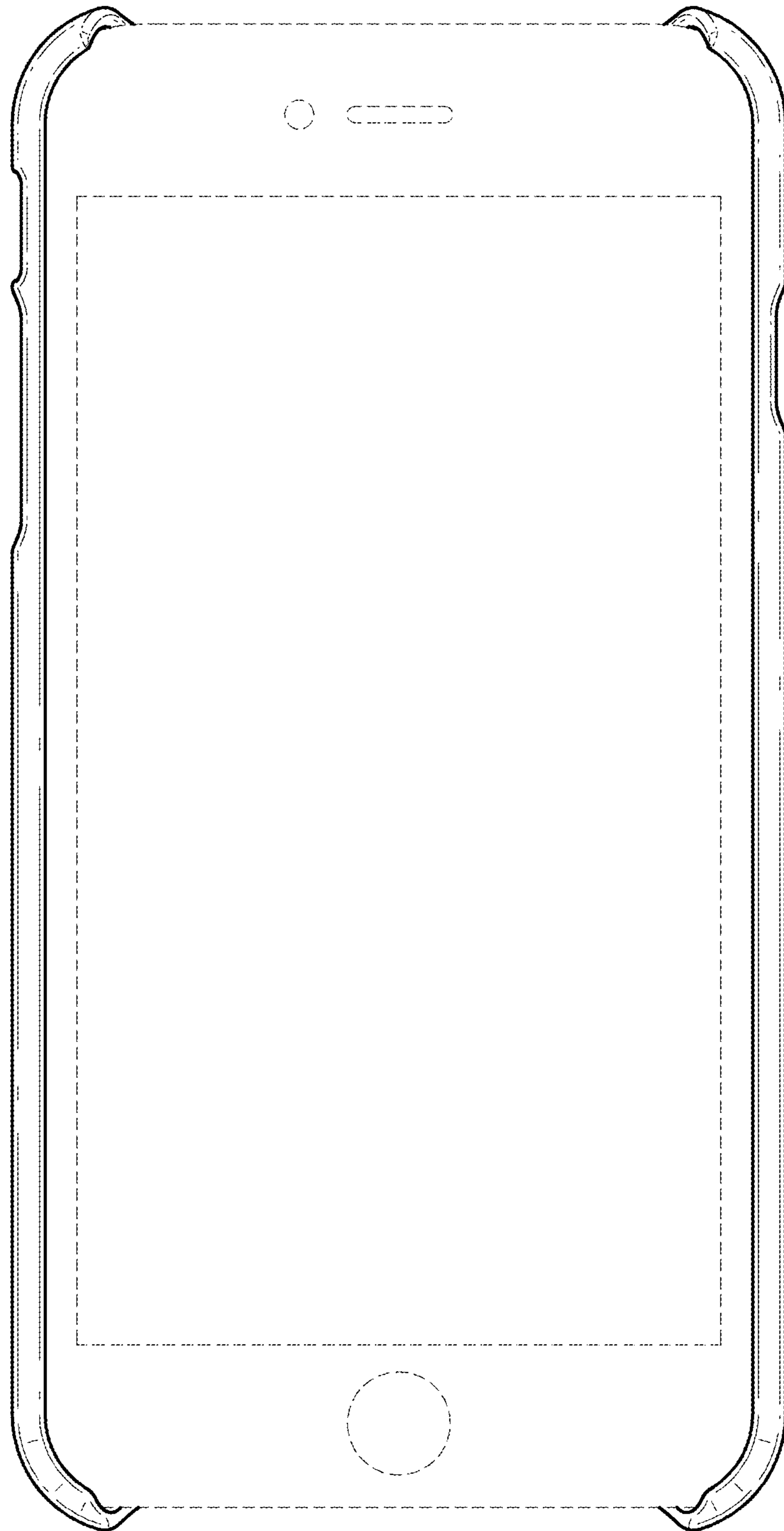
**FIG. 13**



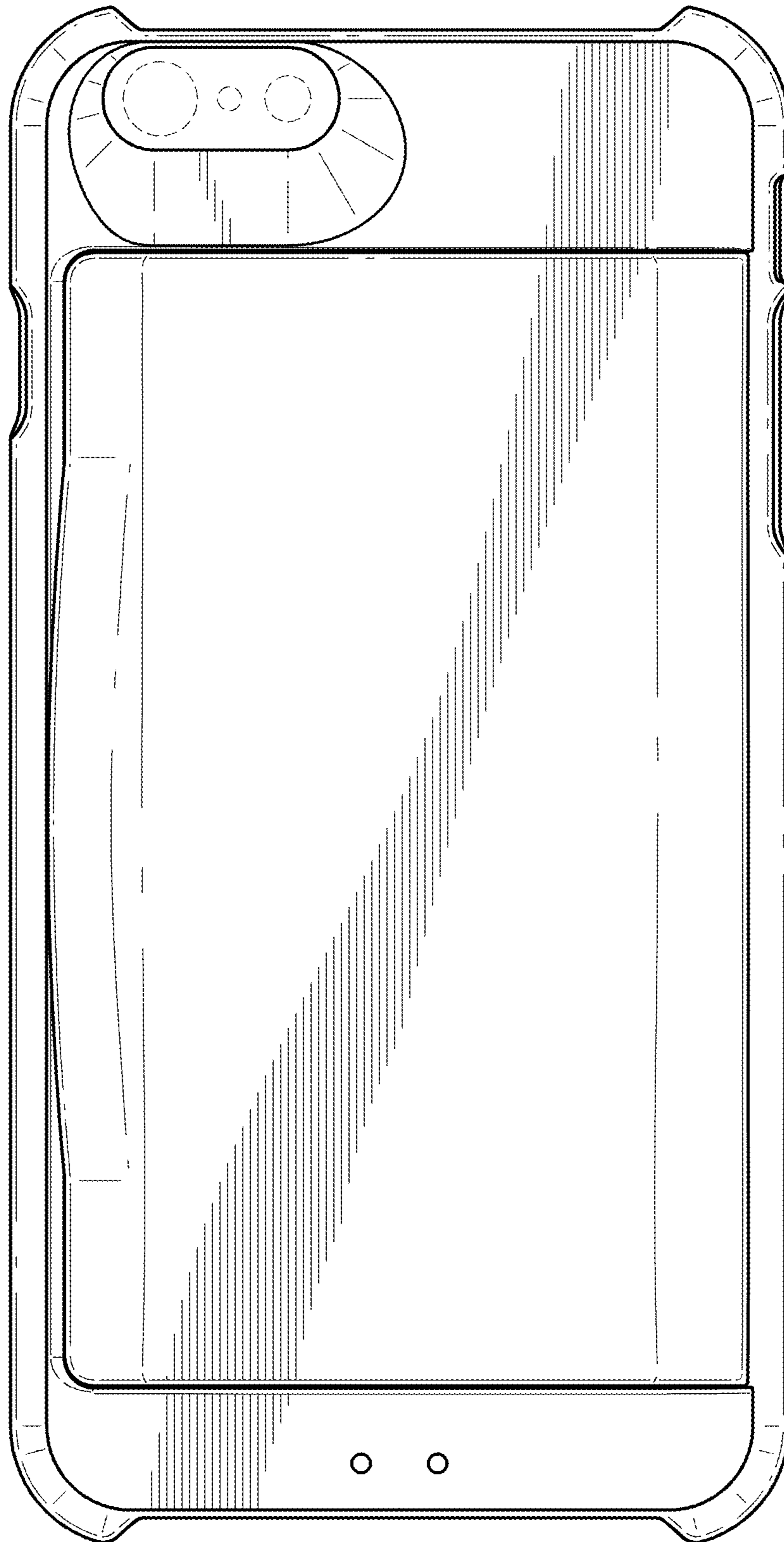
**FIG. 14**



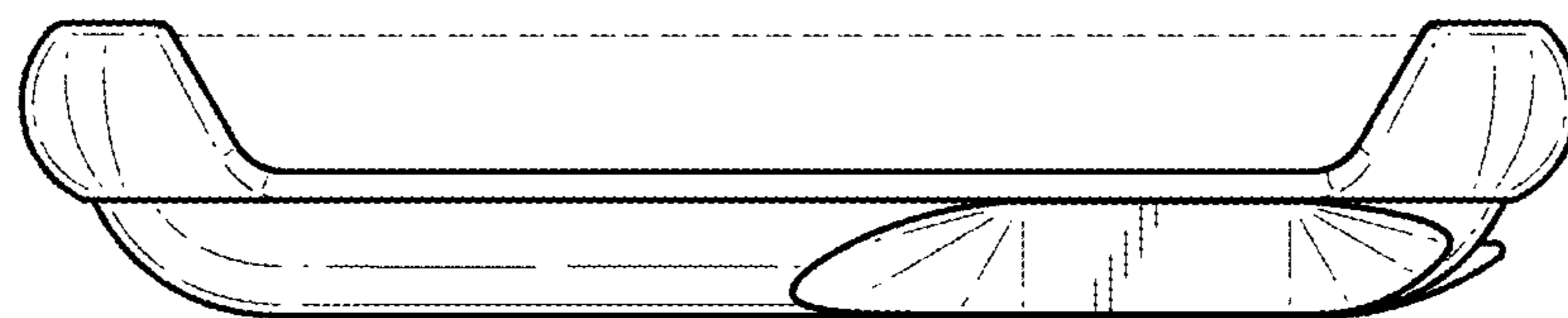
**FIG. 15**



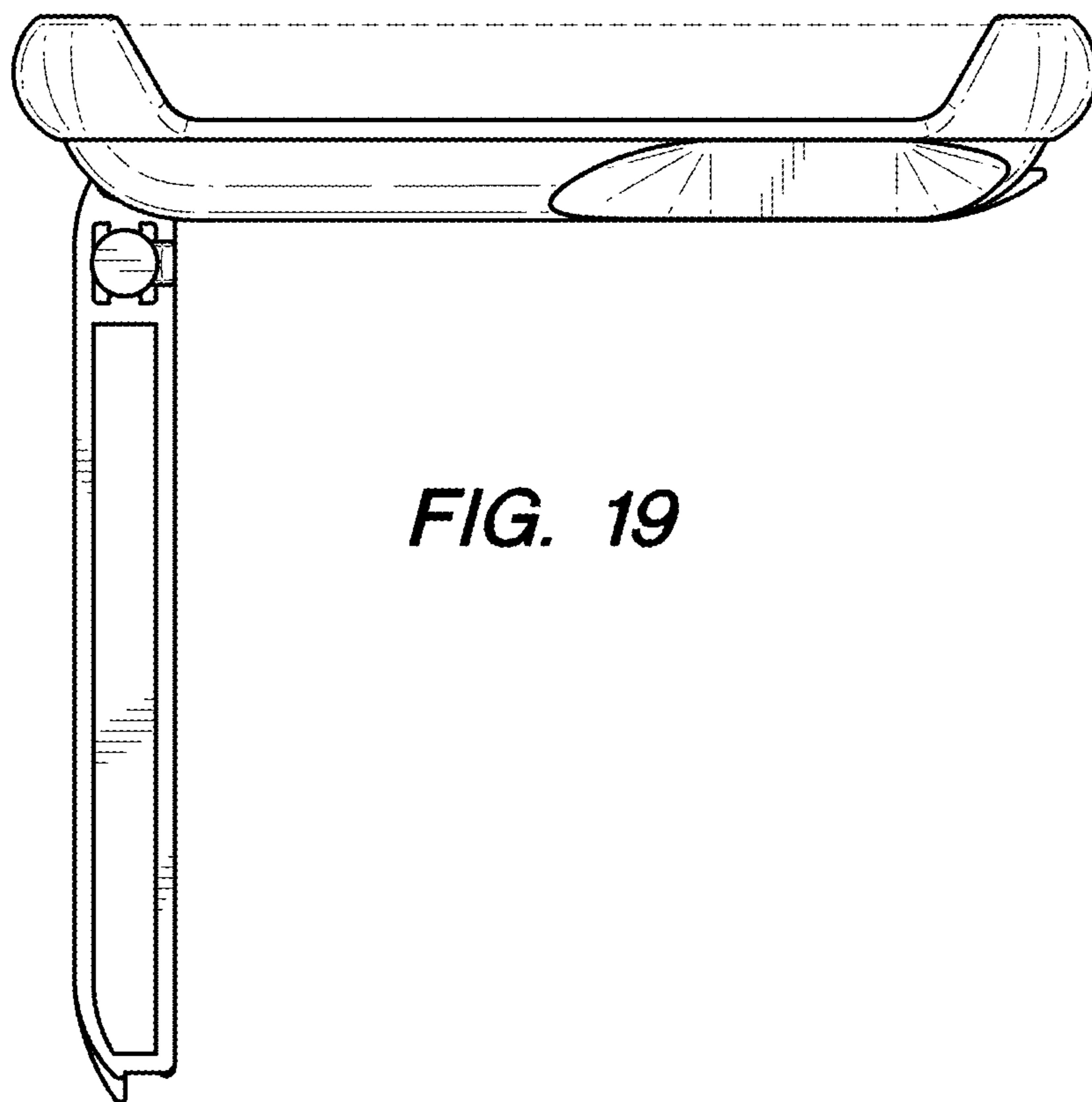
**FIG. 16**



**FIG. 17**

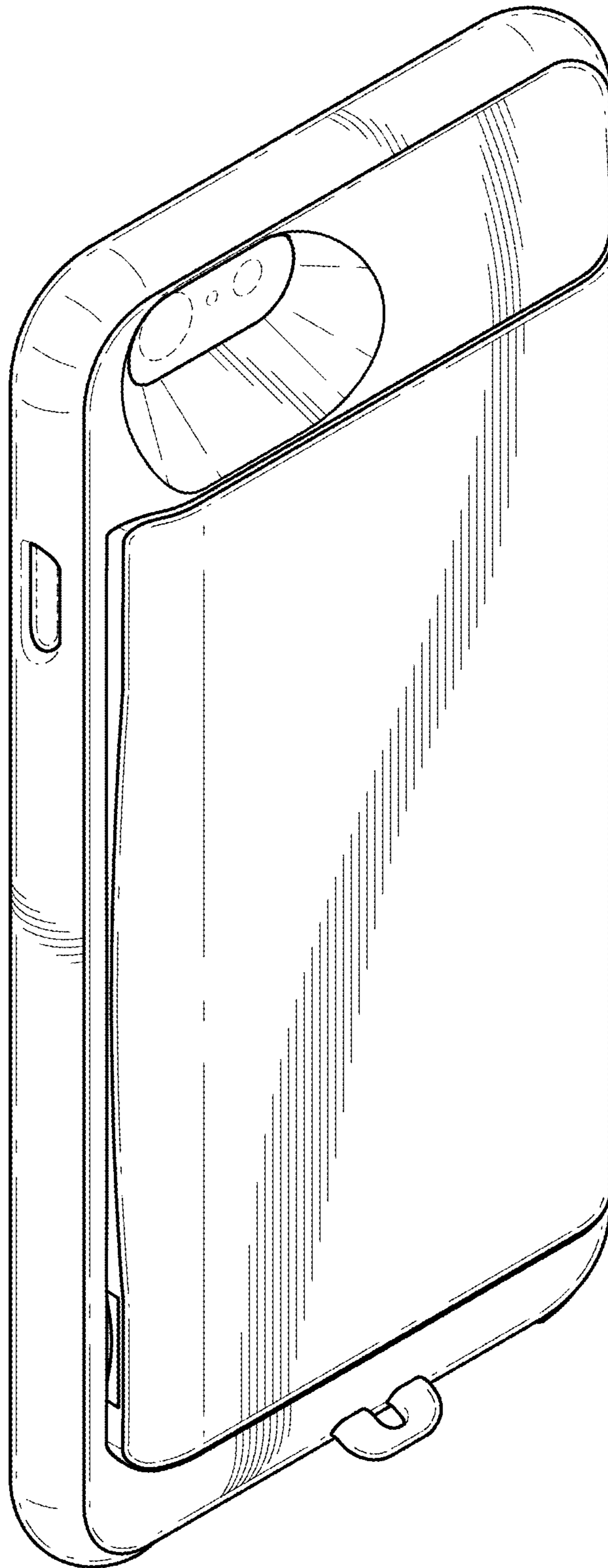


**FIG. 18**



**FIG. 19**





**FIG. 20**

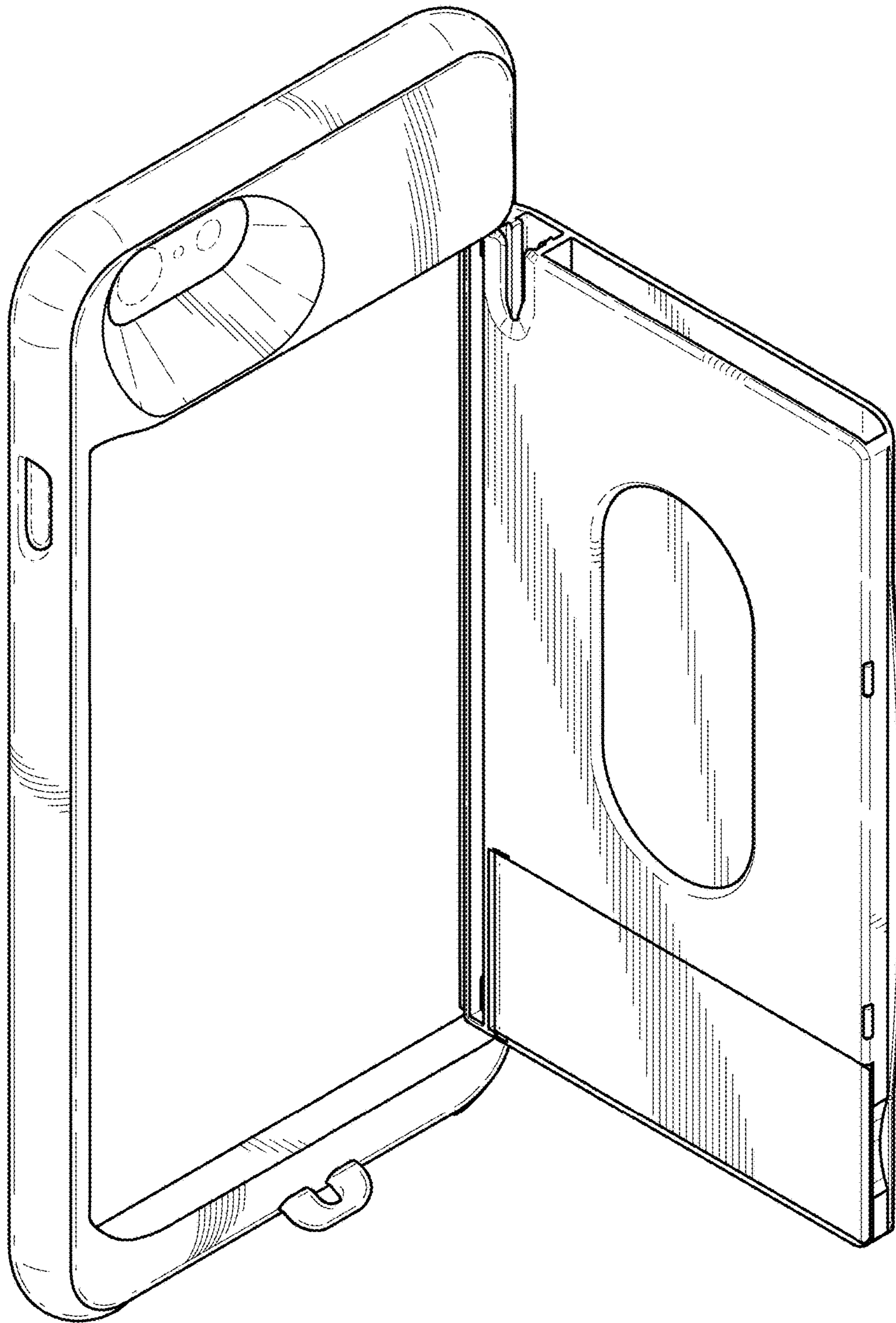
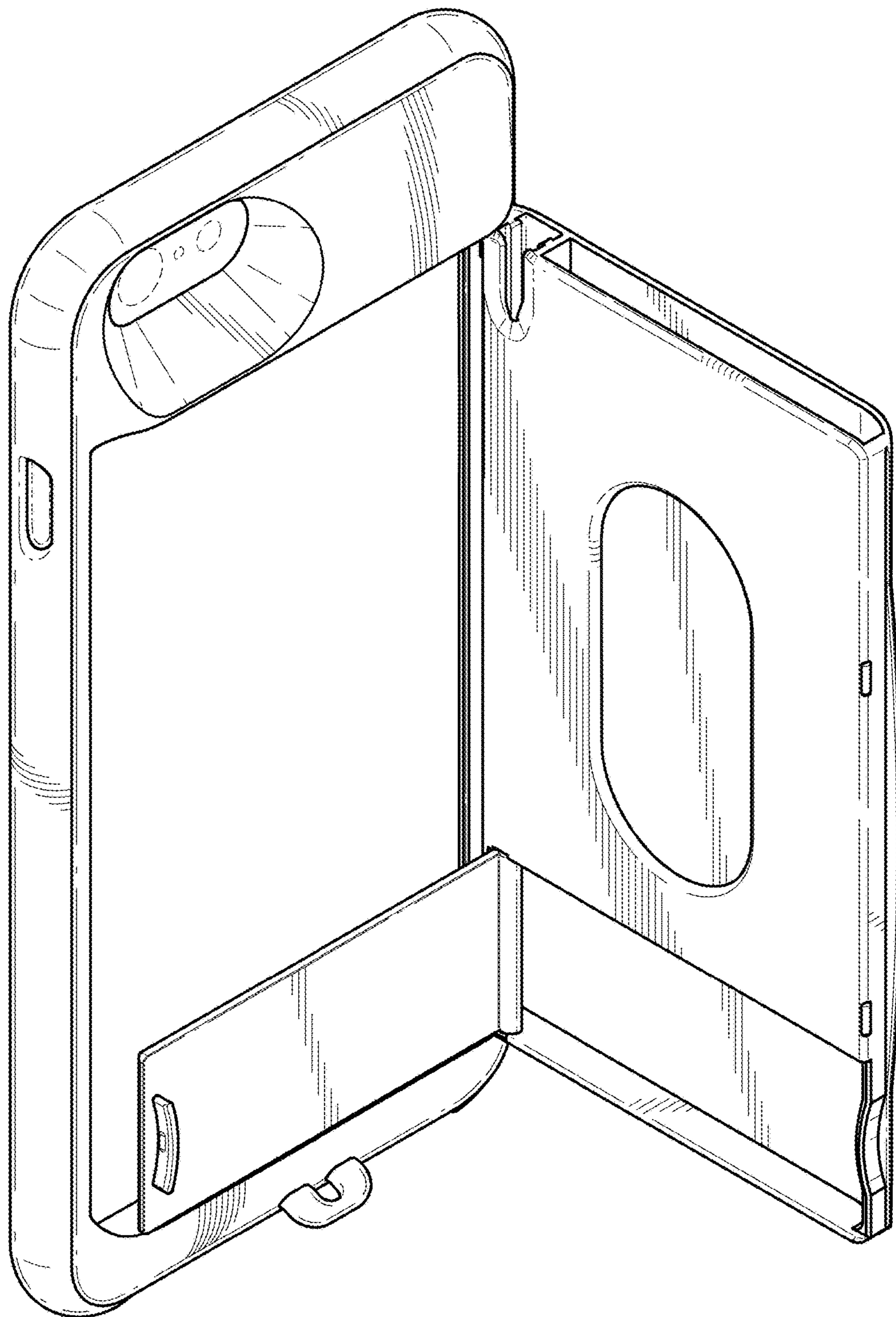
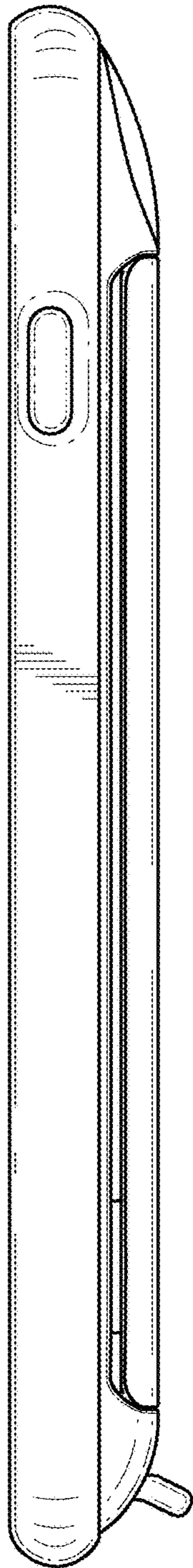


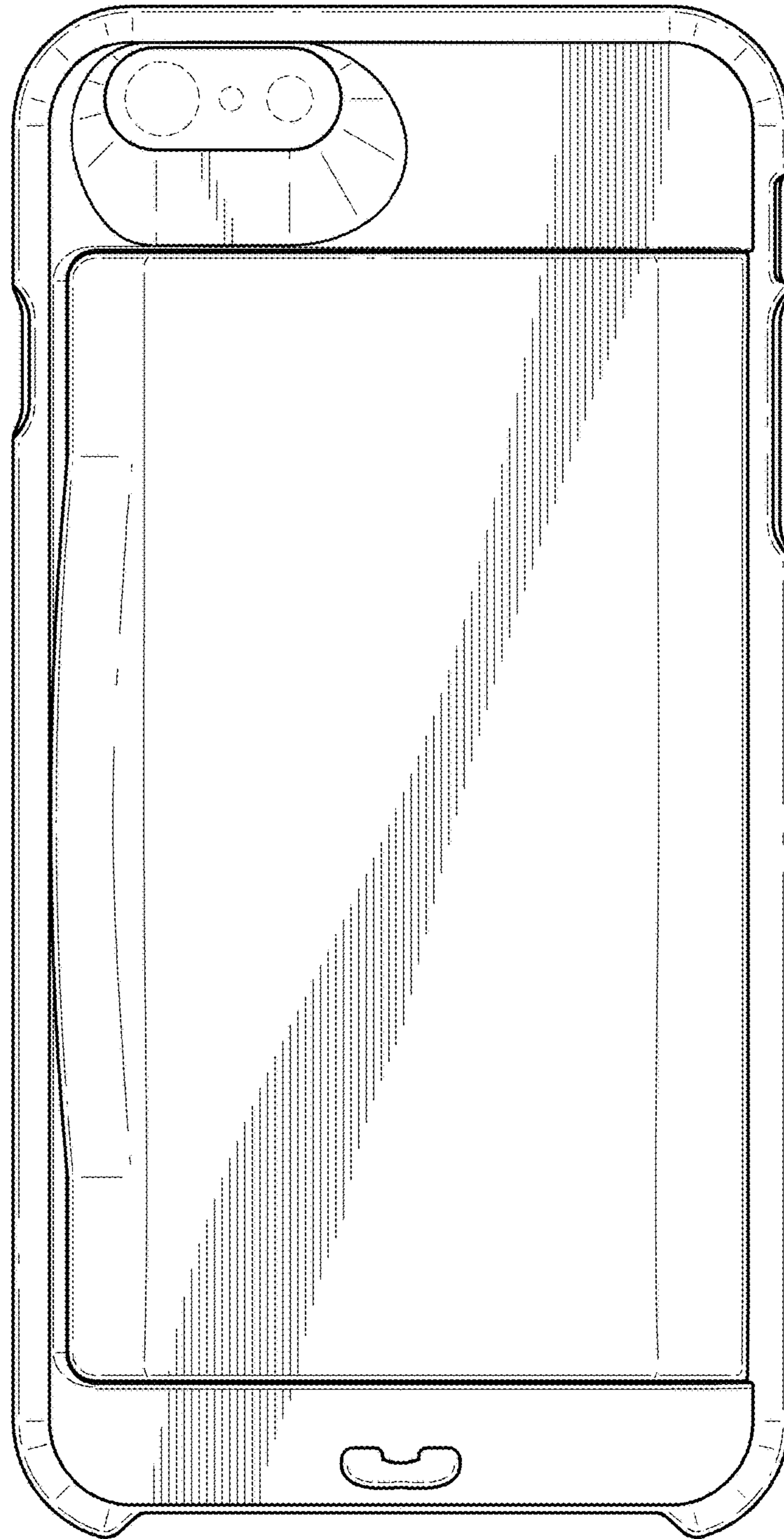
FIG. 21



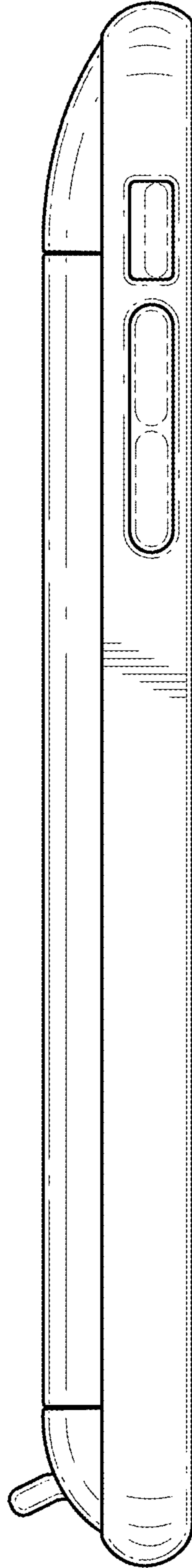
**FIG. 22**



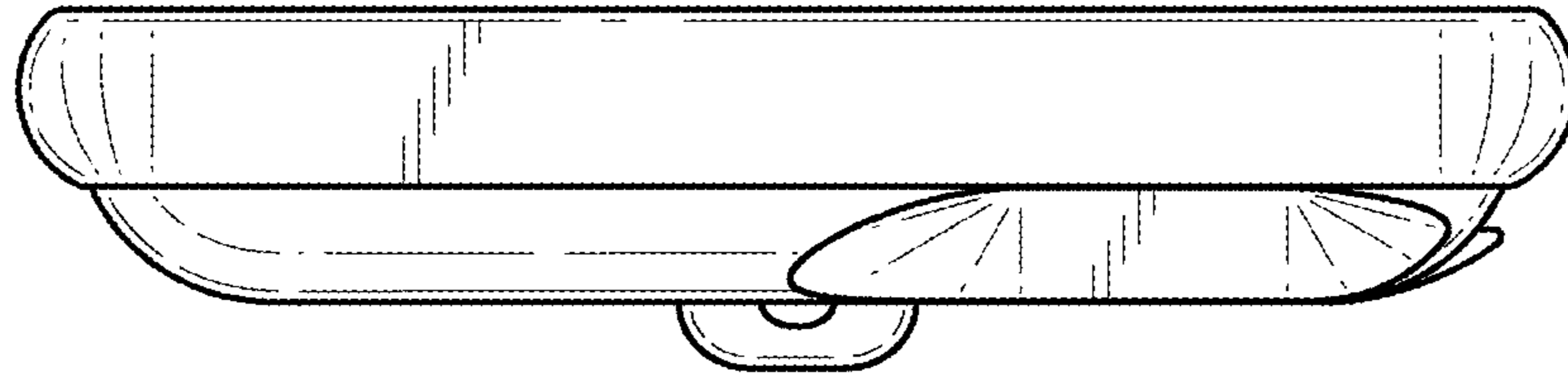
**FIG. 23**



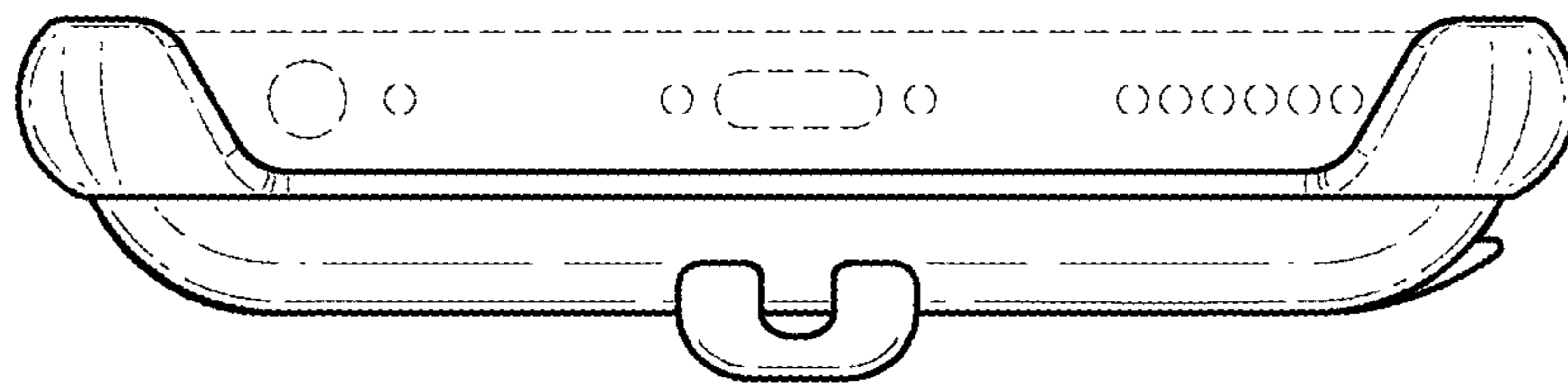
**FIG. 24**



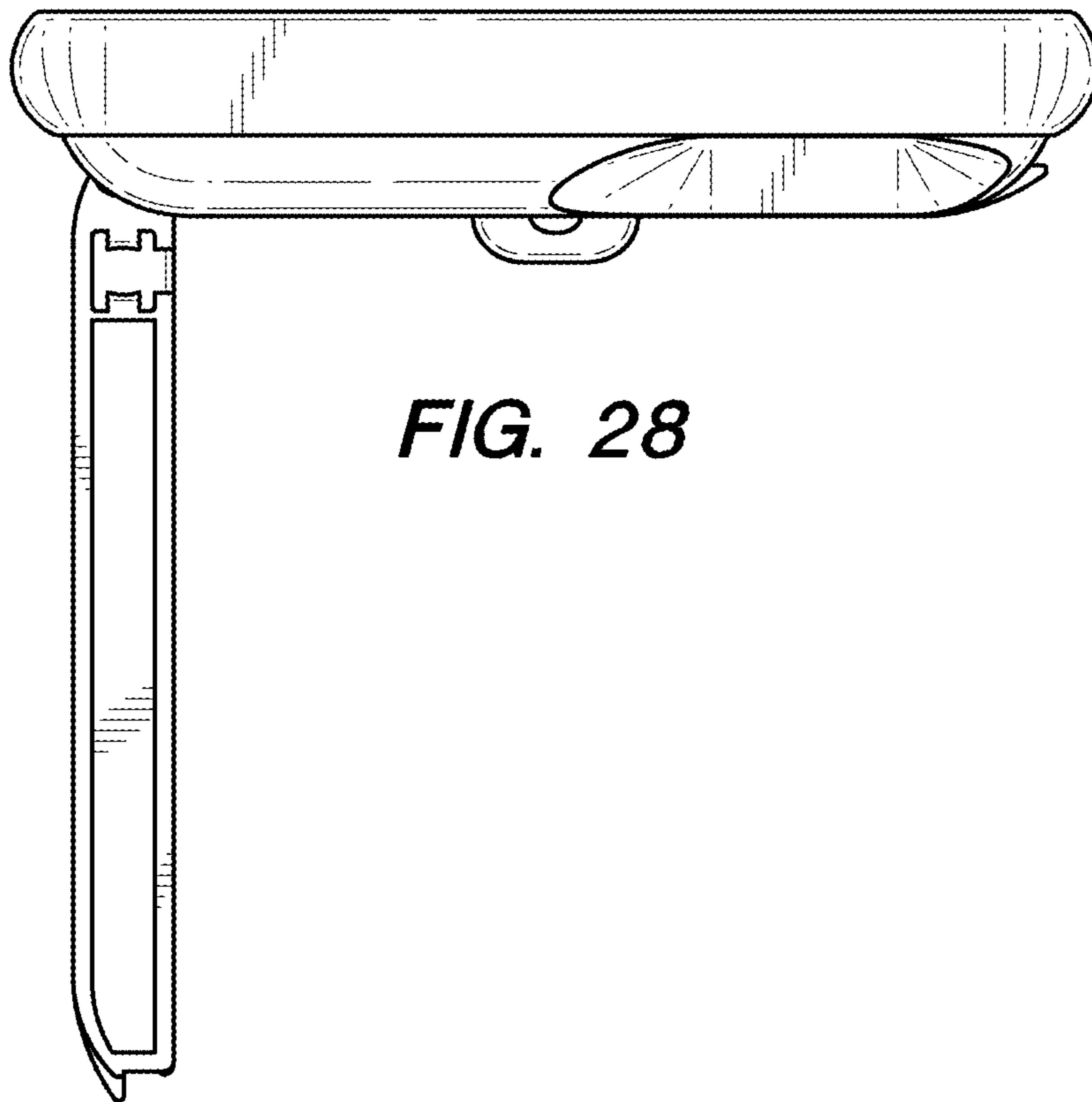
**FIG. 25**



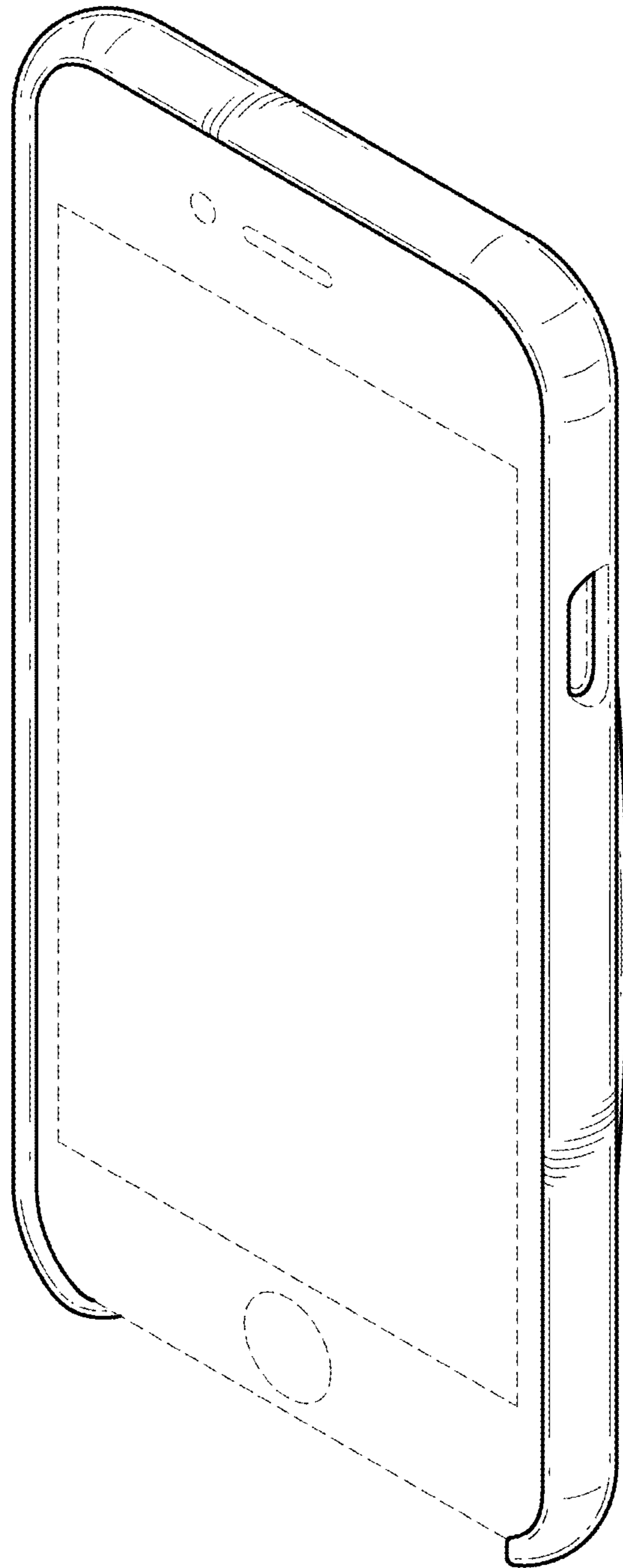
**FIG. 26**



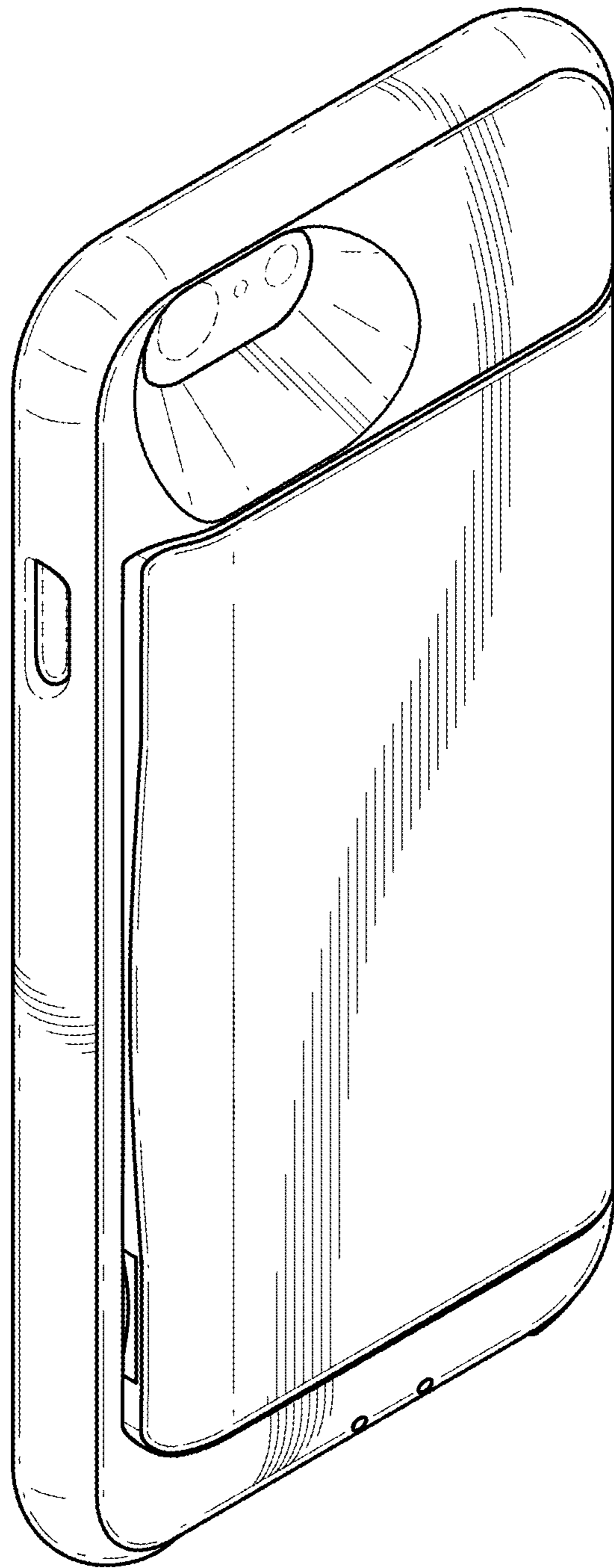
**FIG. 27**



**FIG. 28**

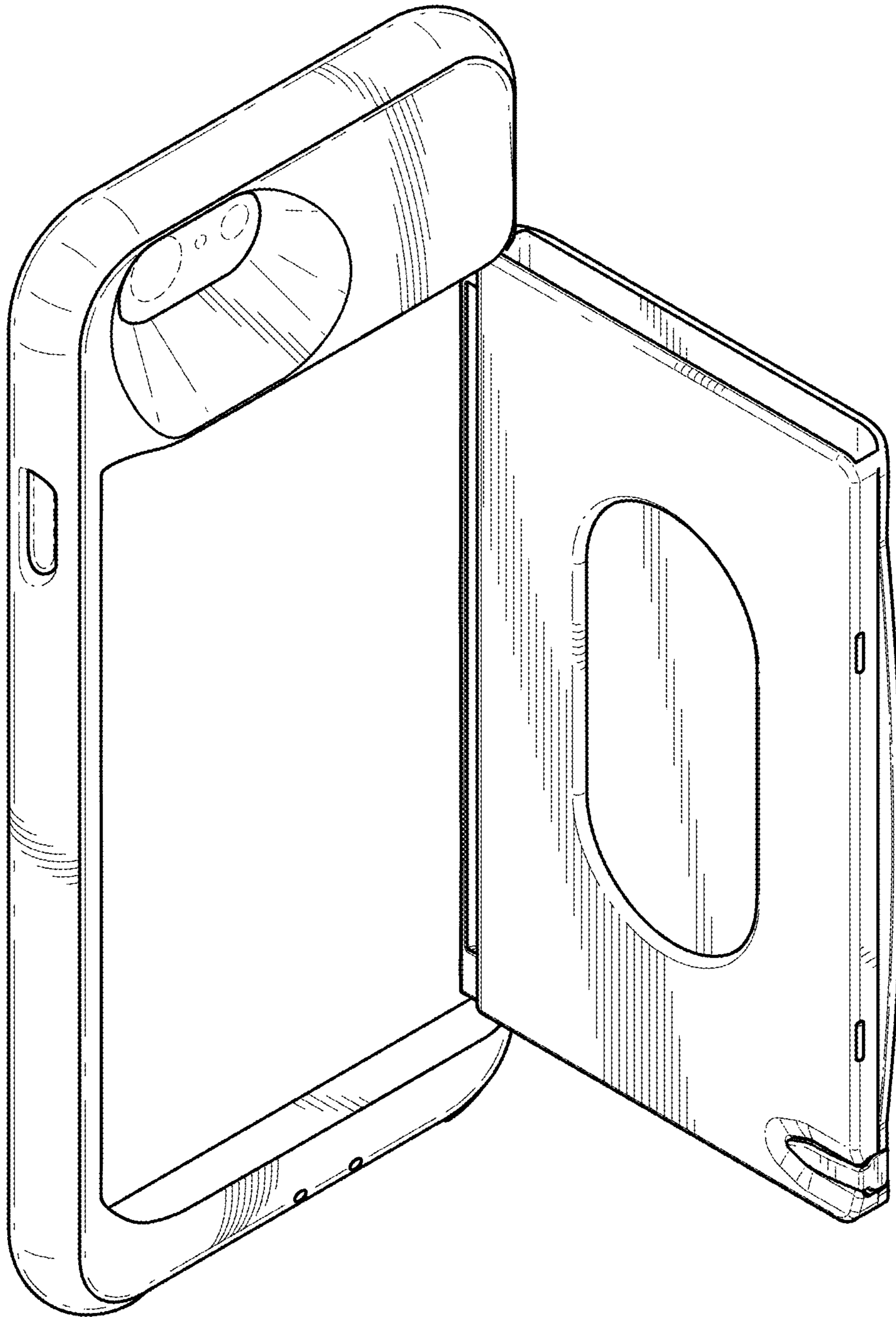


**FIG. 29**

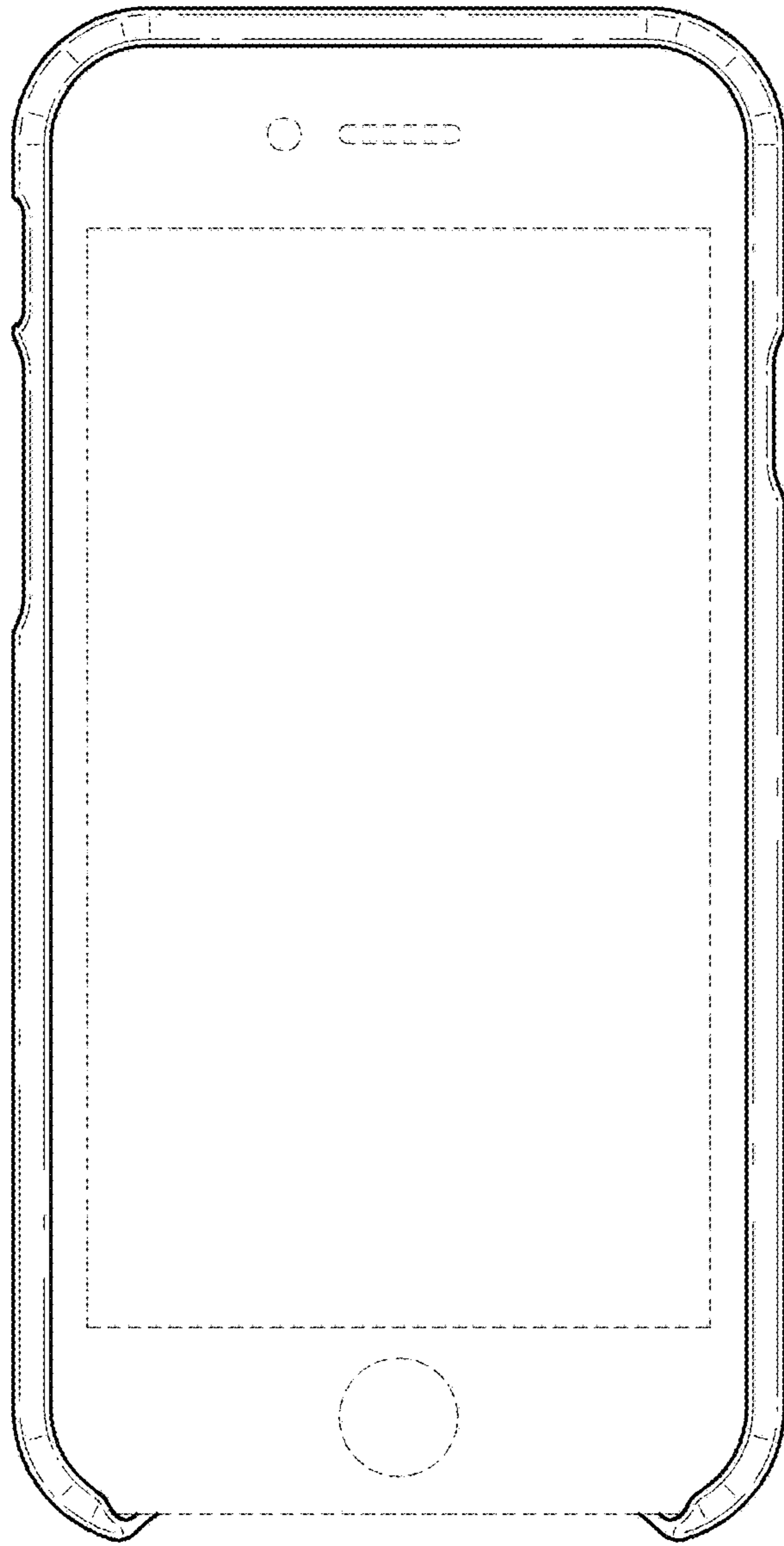


**FIG. 30**

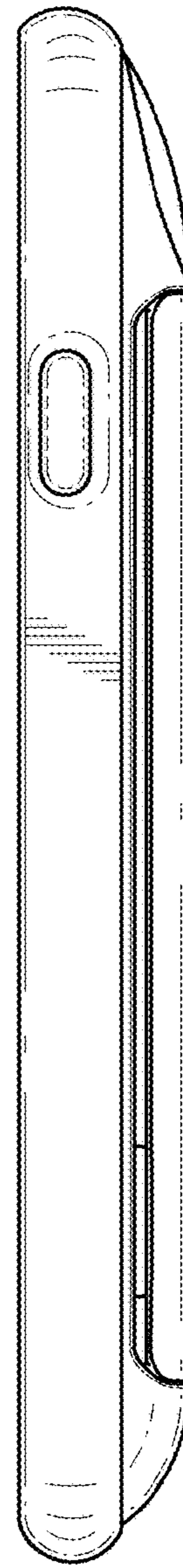




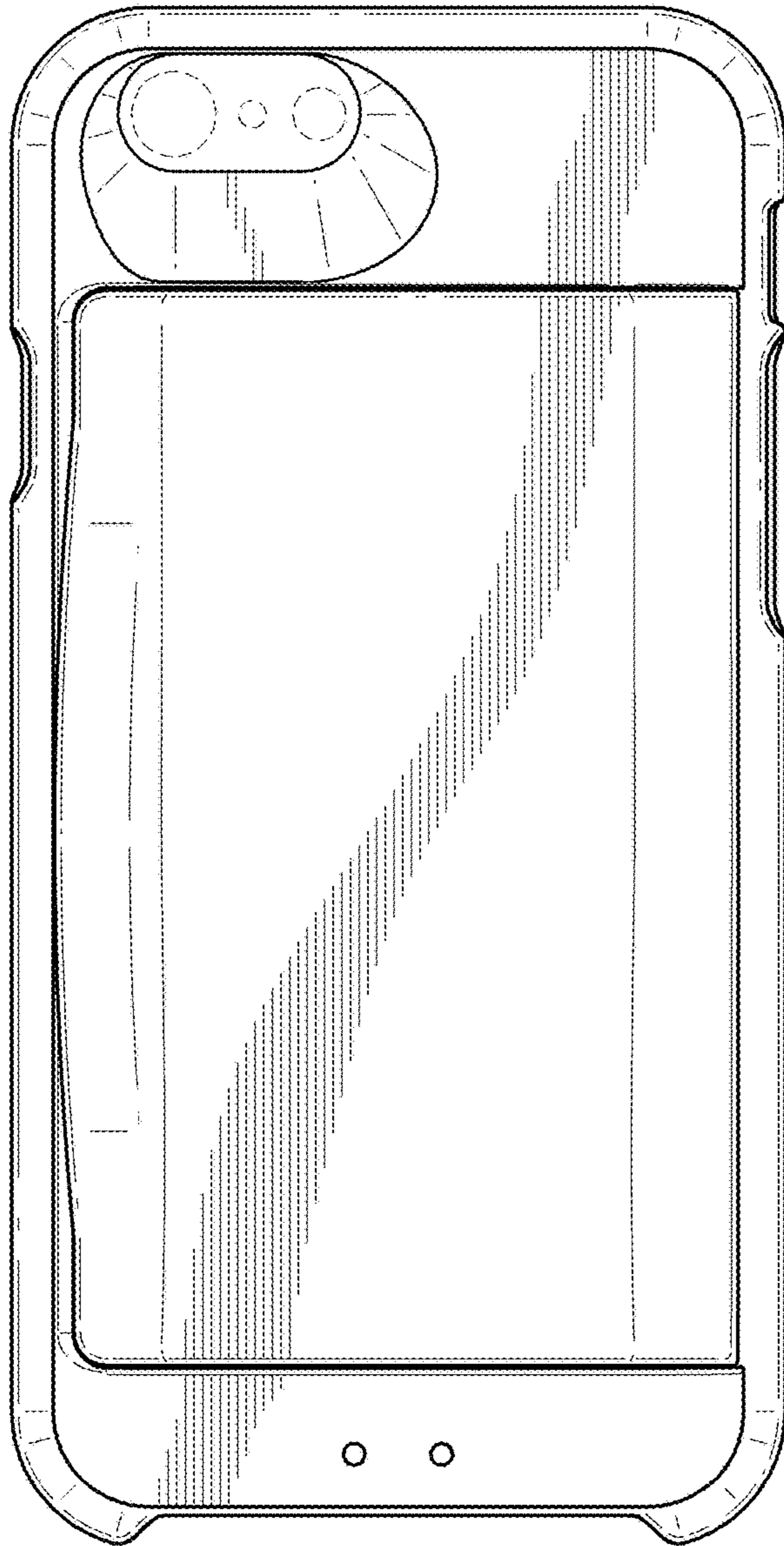
**FIG. 31**



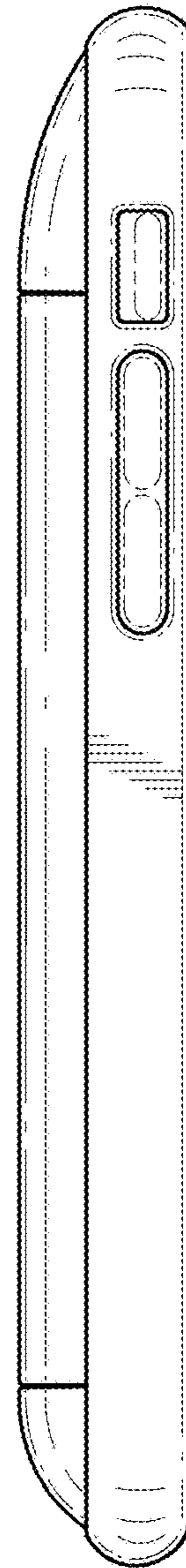
**FIG. 32**



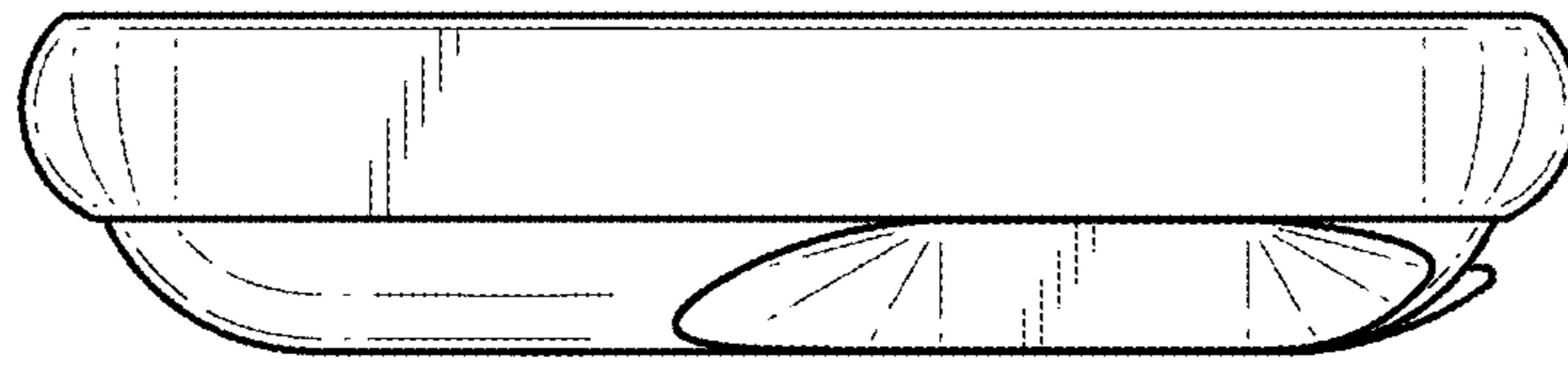
**FIG. 33**



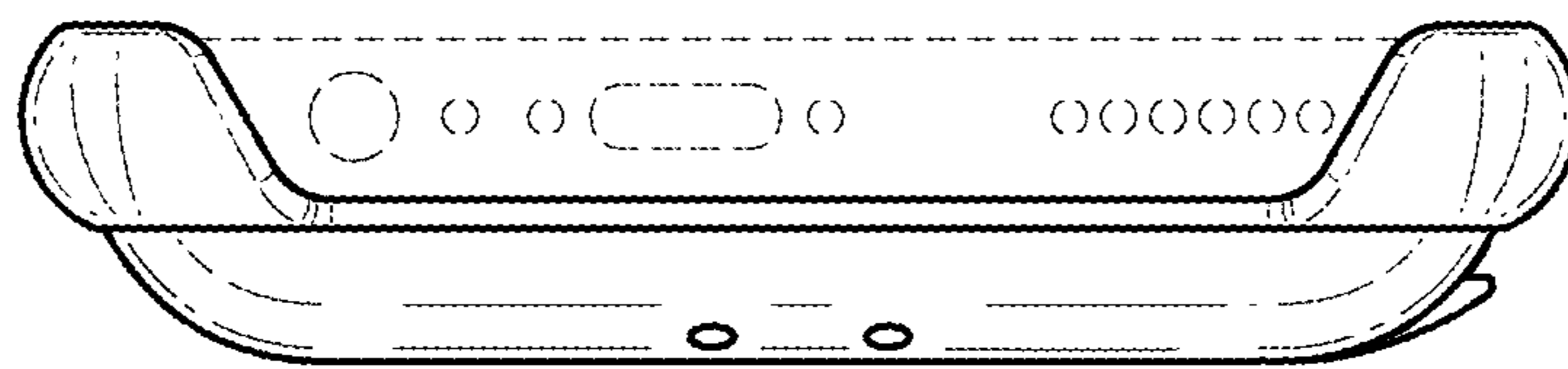
**FIG. 34**



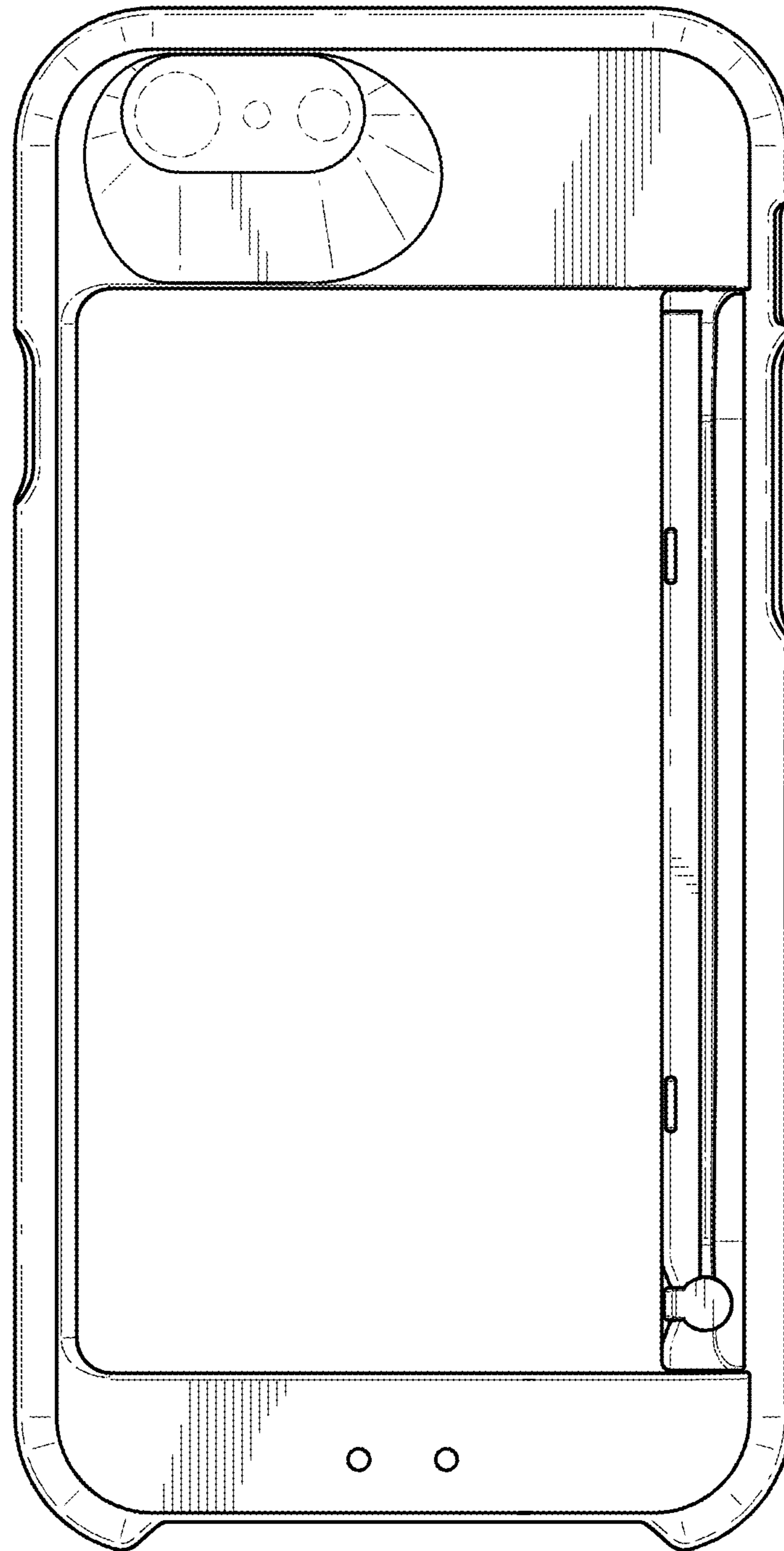
**FIG. 35**



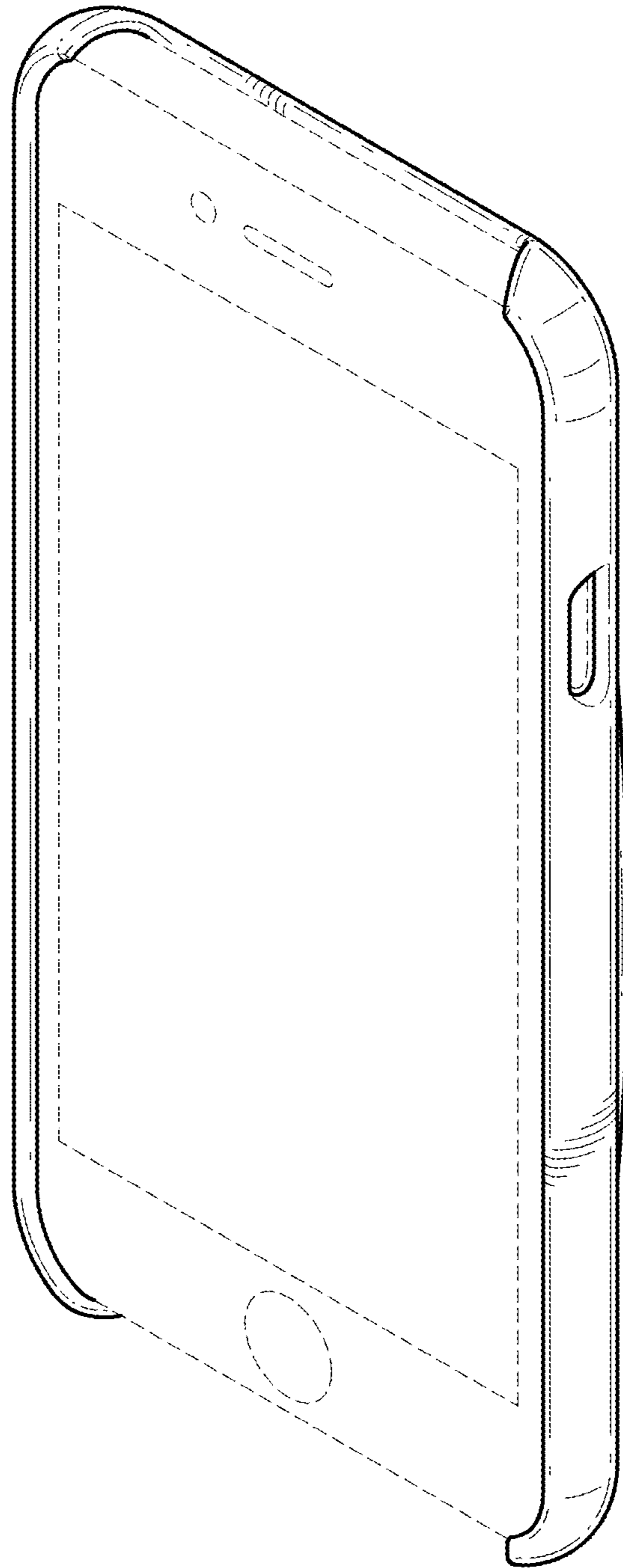
**FIG. 36**



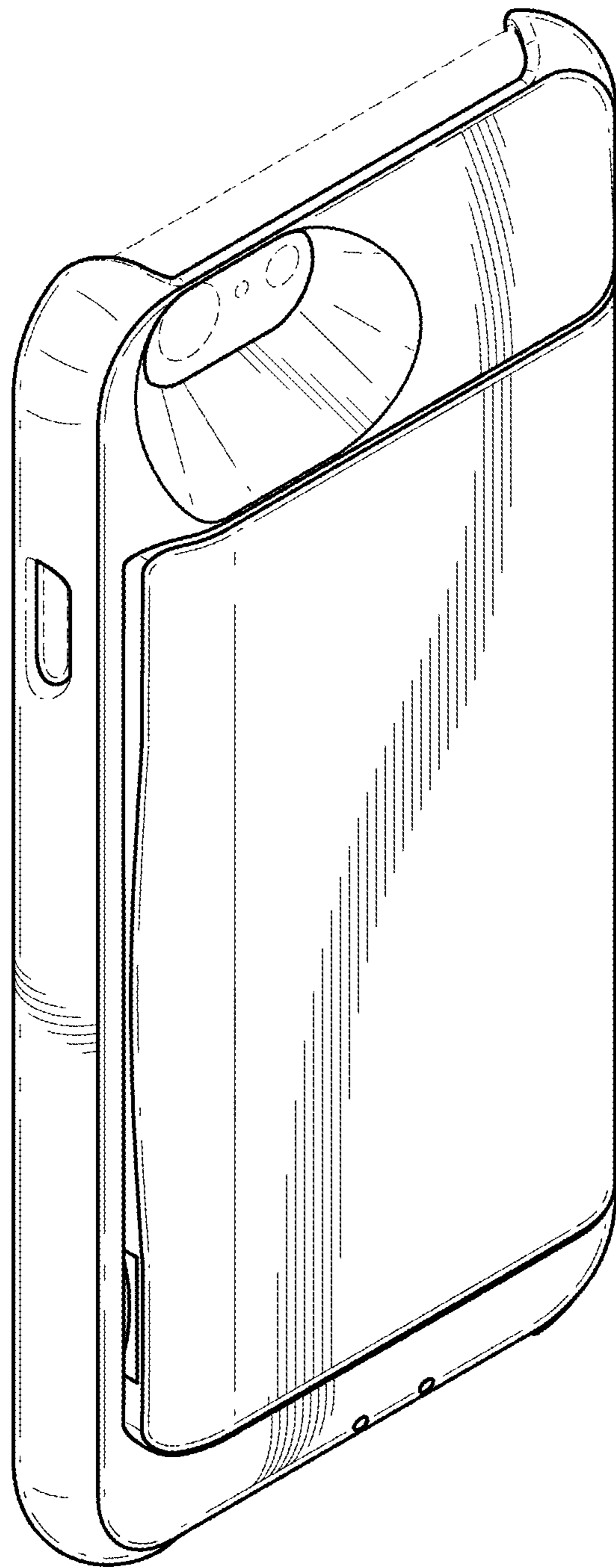
**FIG. 37**



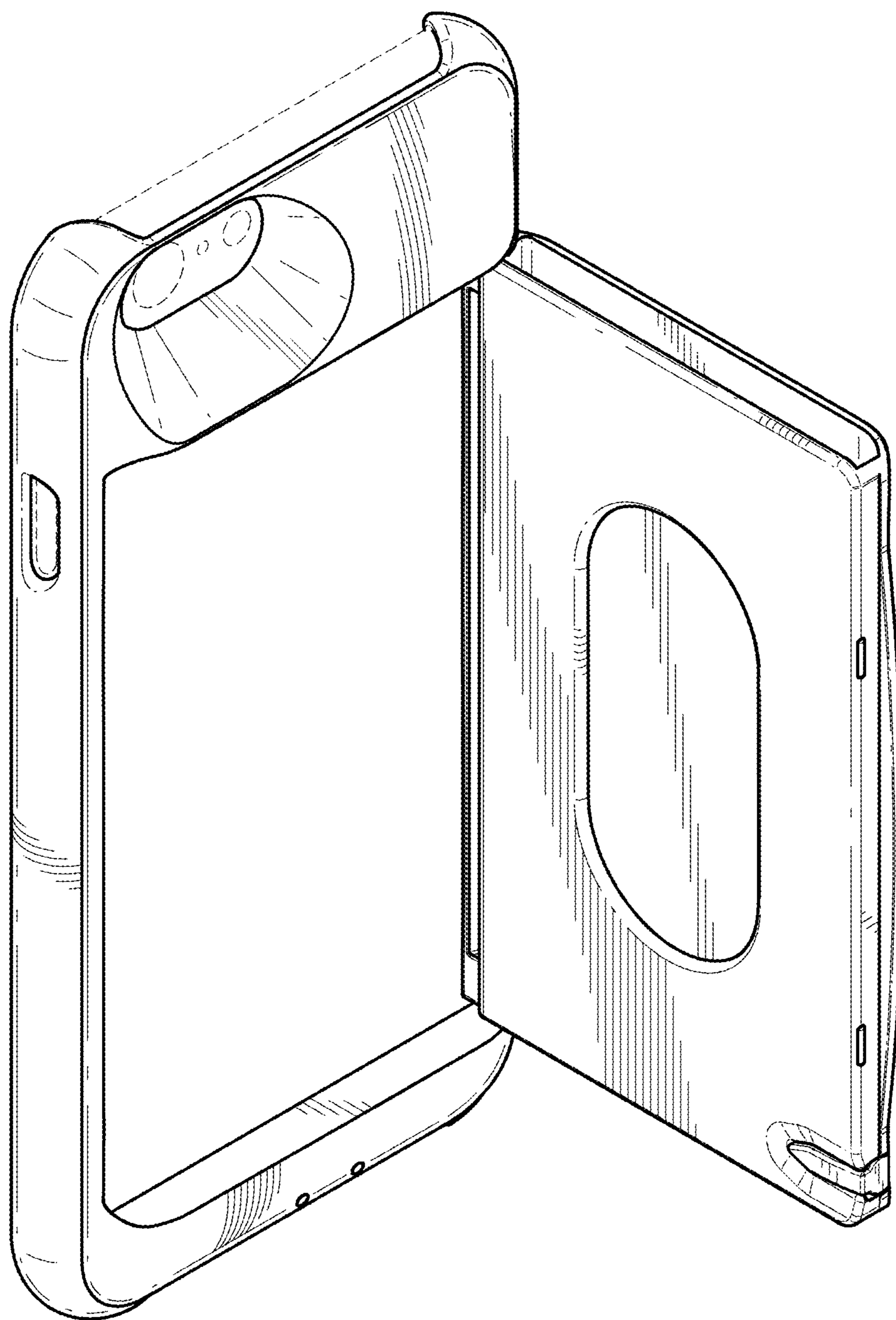
**FIG. 38**



**FIG. 39**

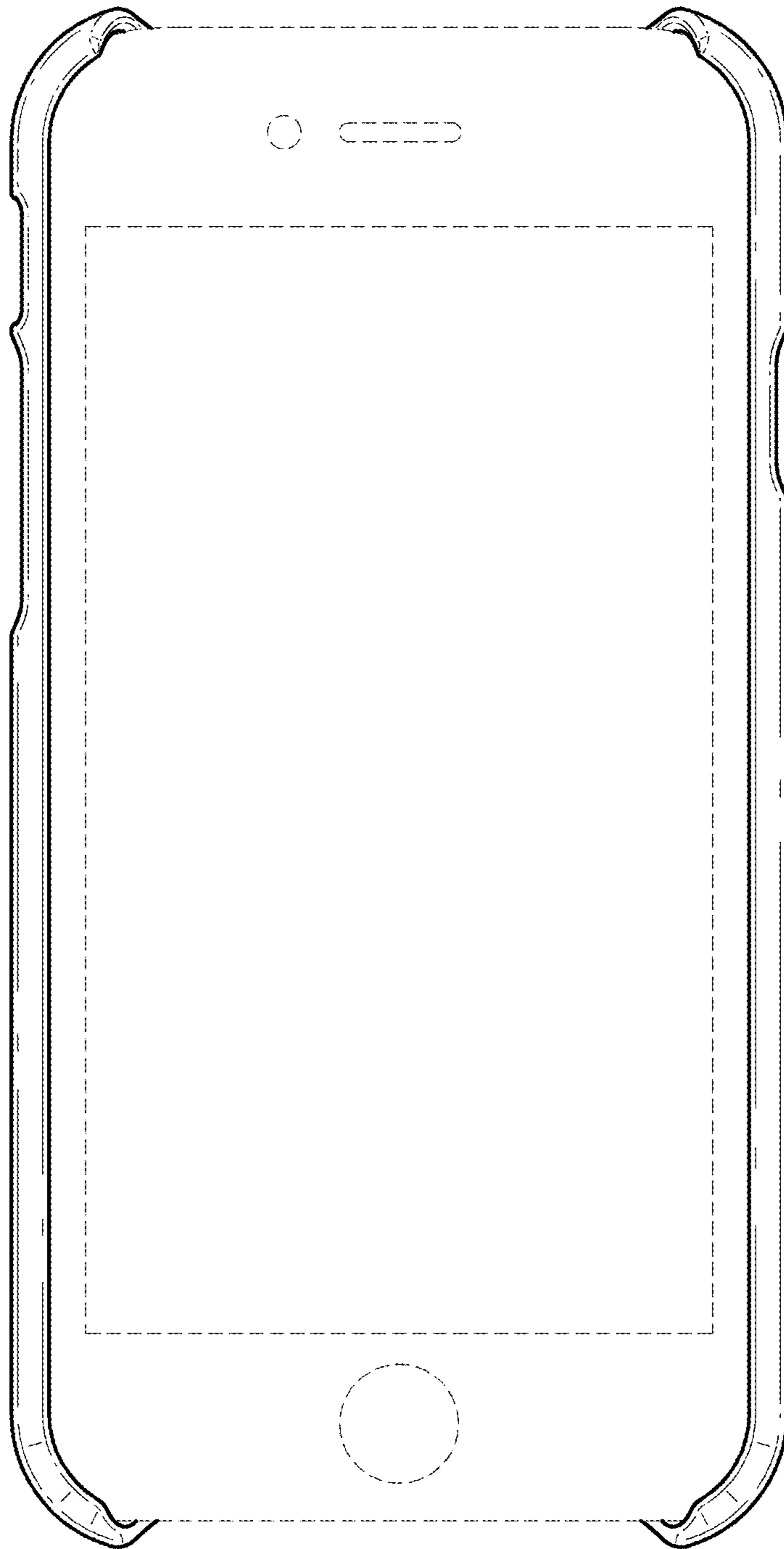


**FIG. 40**

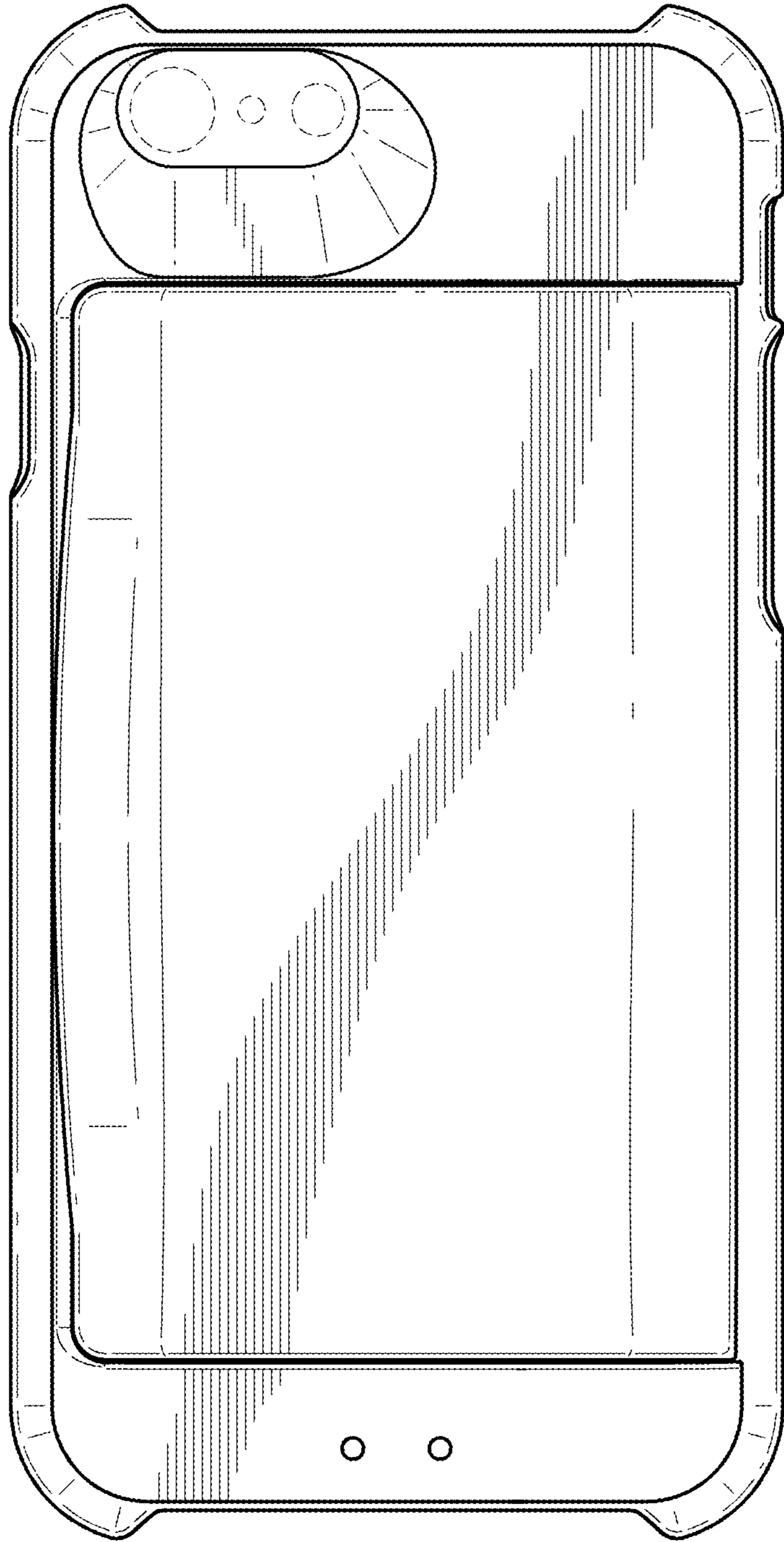


**FIG. 41**

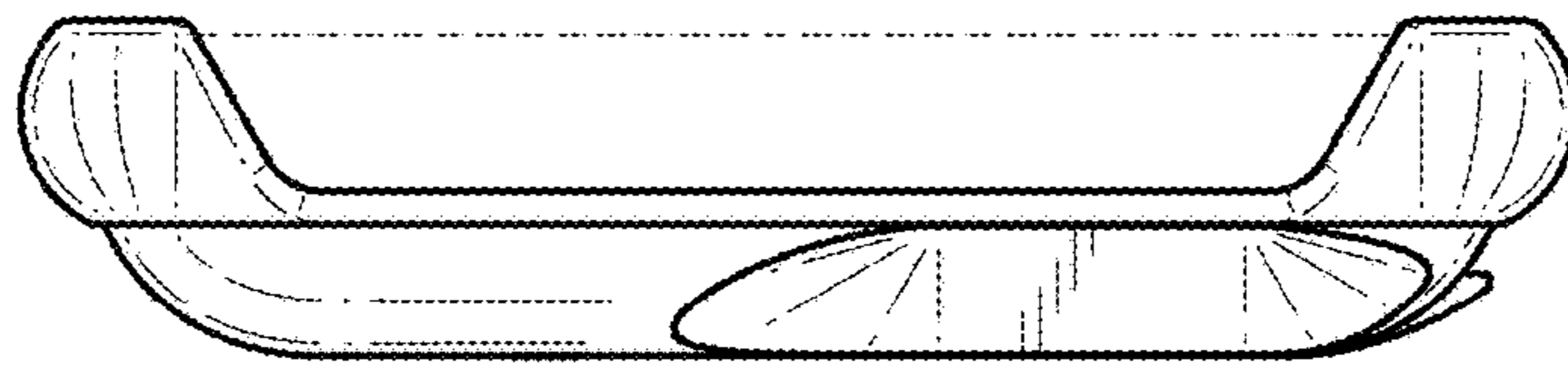




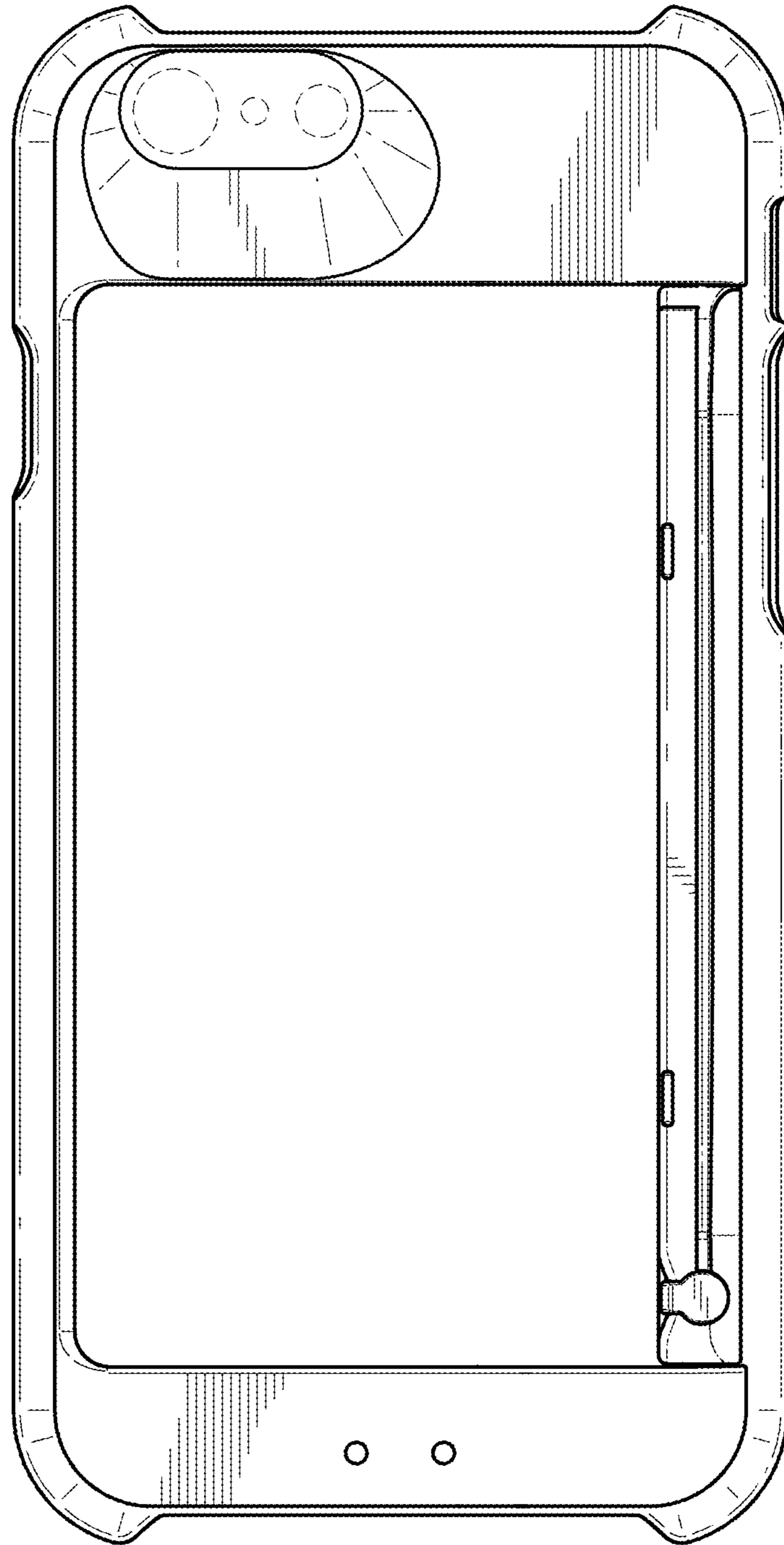
**FIG. 42**



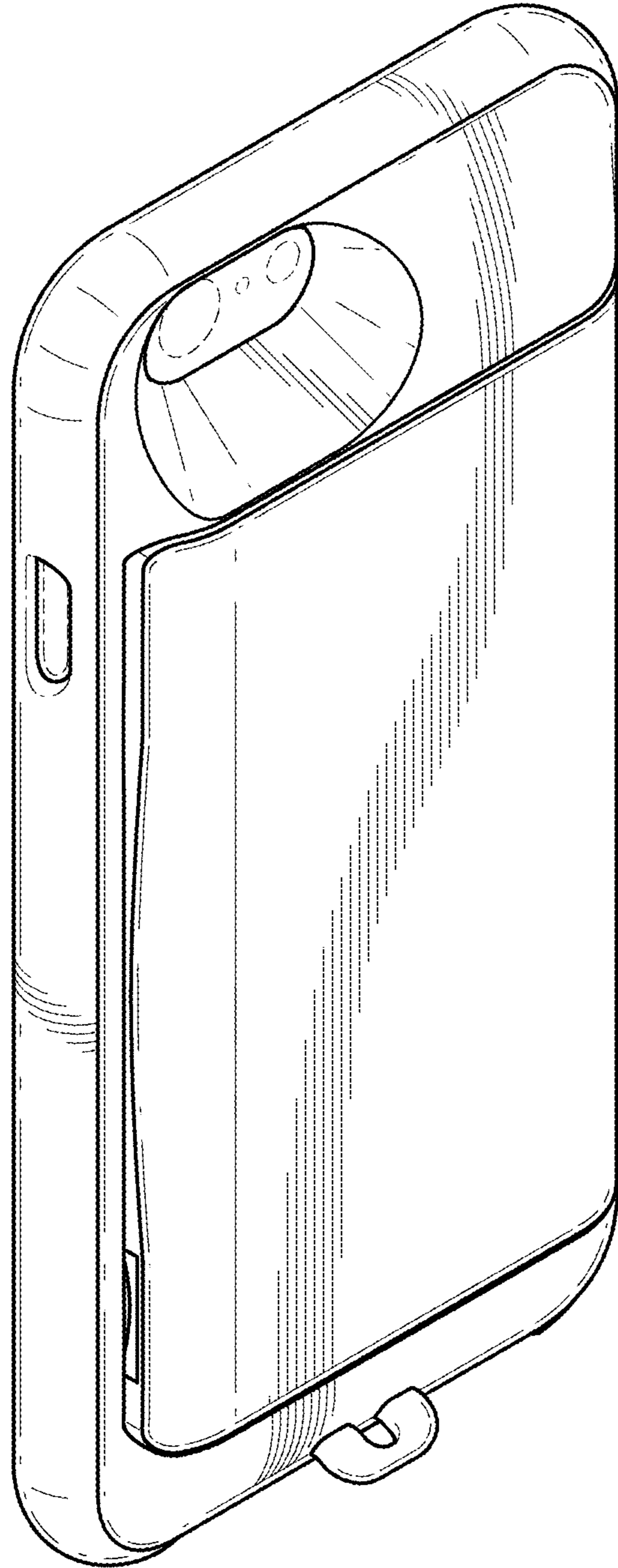
**FIG. 43**



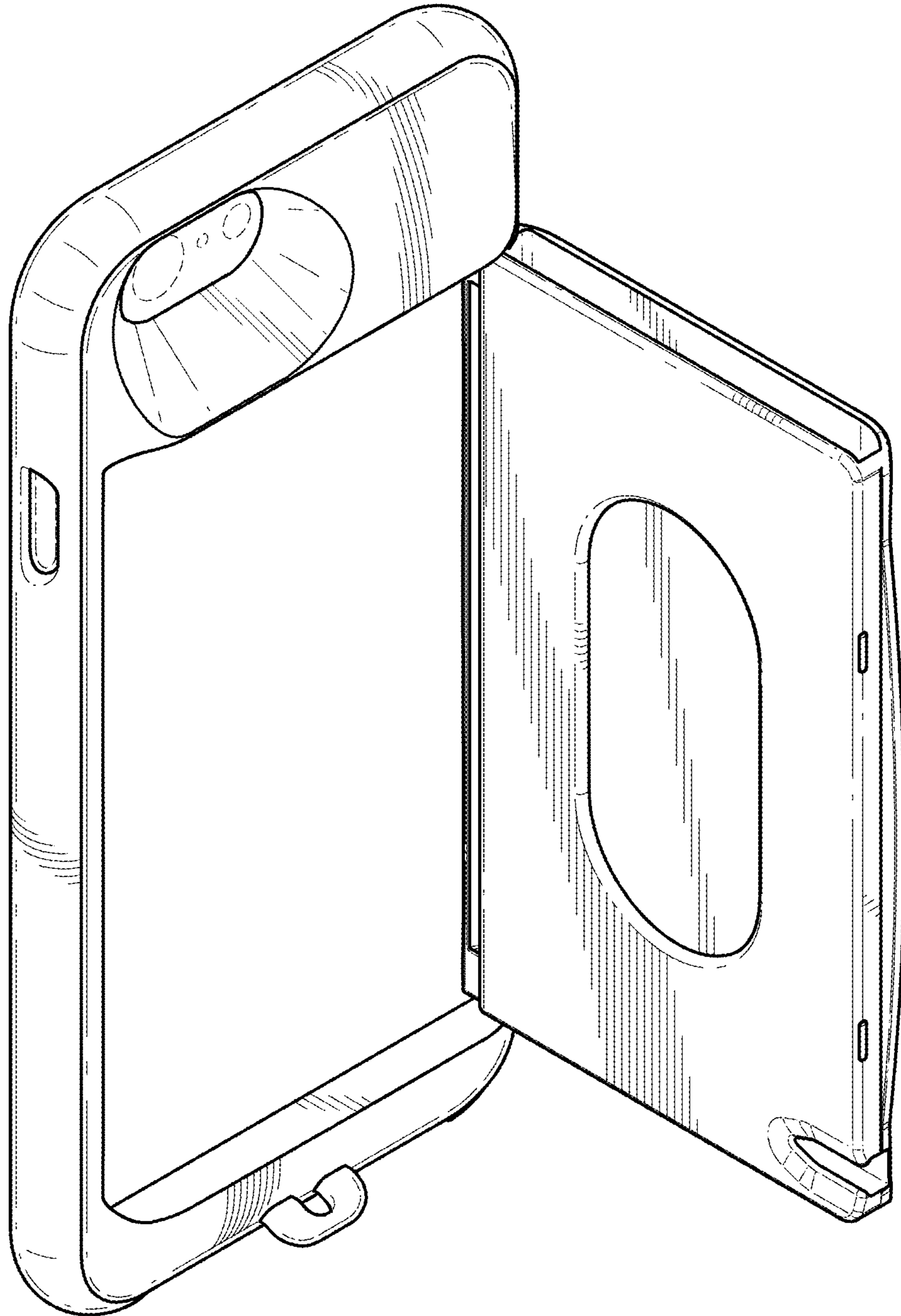
**FIG. 44**



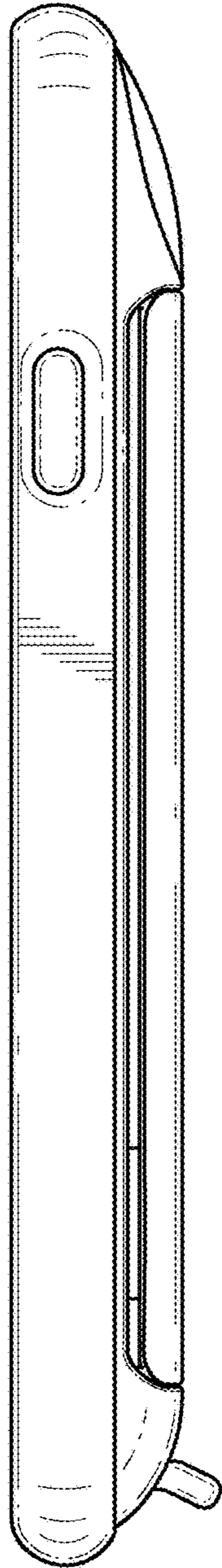
**FIG. 45**



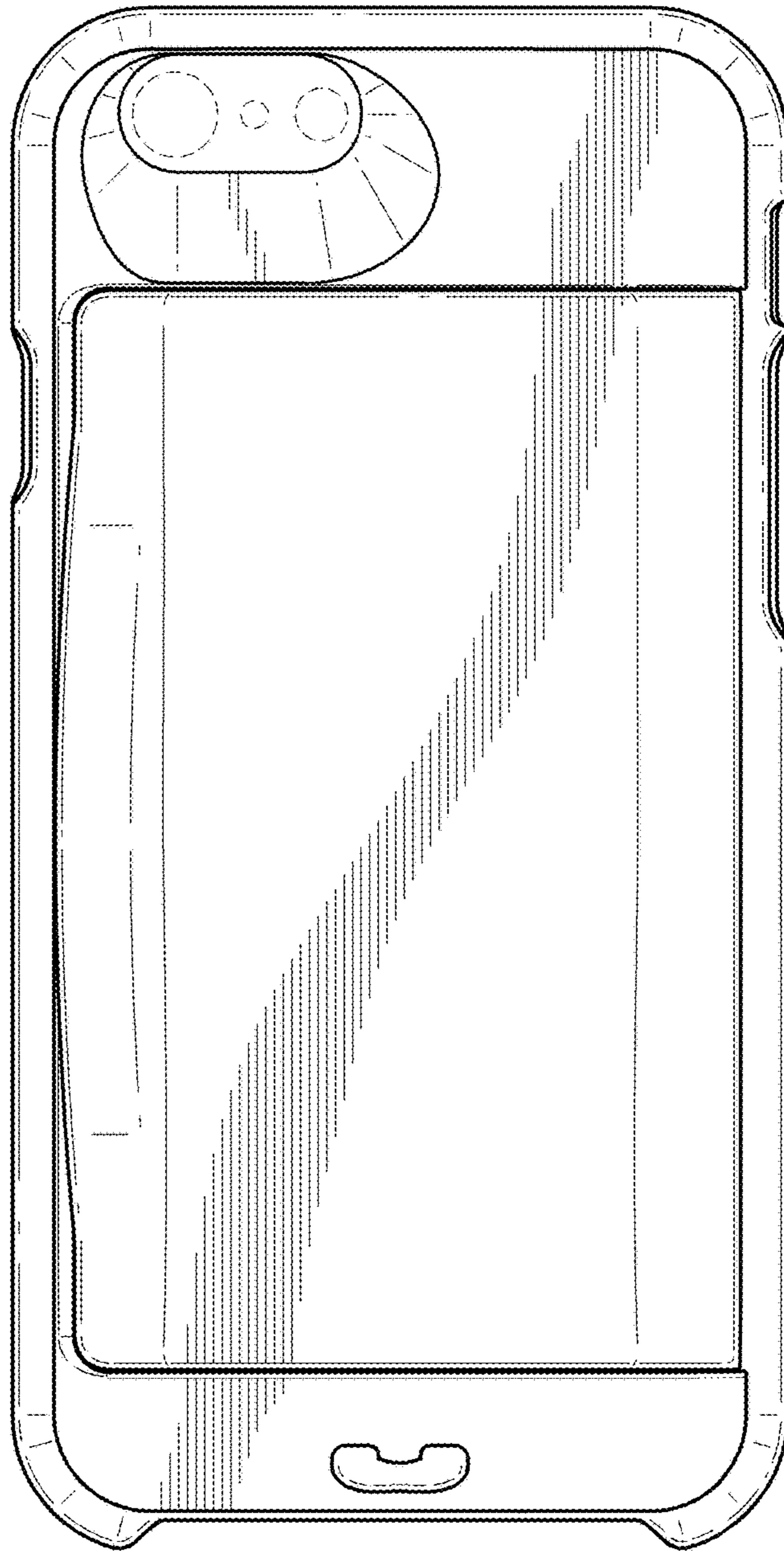
**FIG. 46**



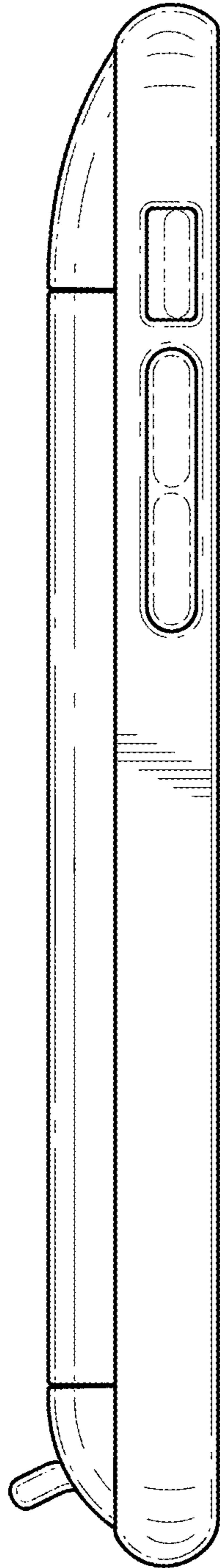
**FIG. 47**



**FIG. 48**

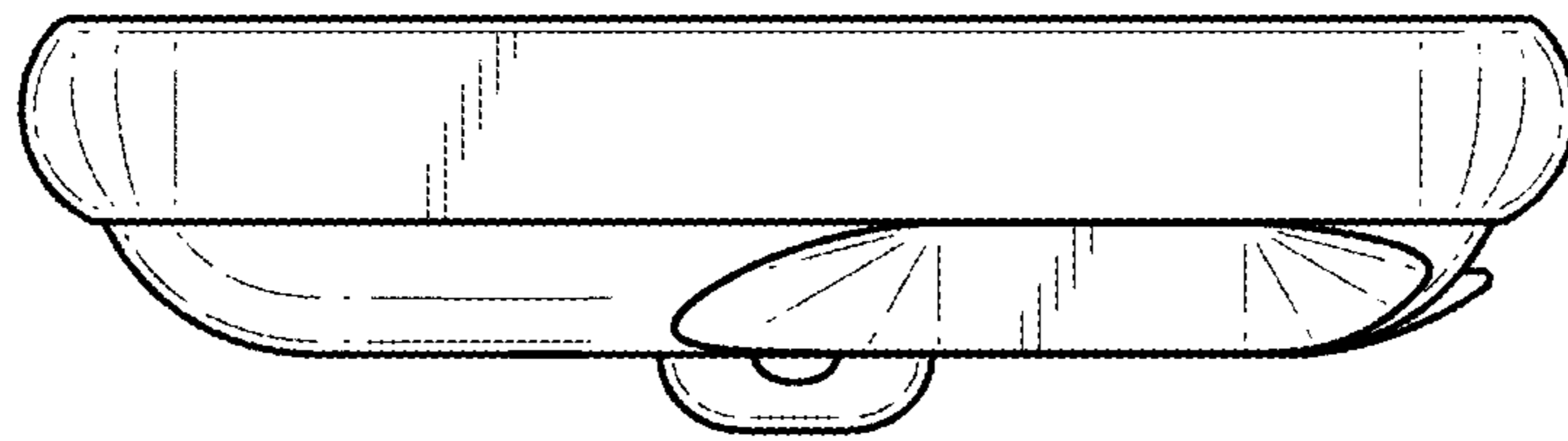


**FIG. 49**

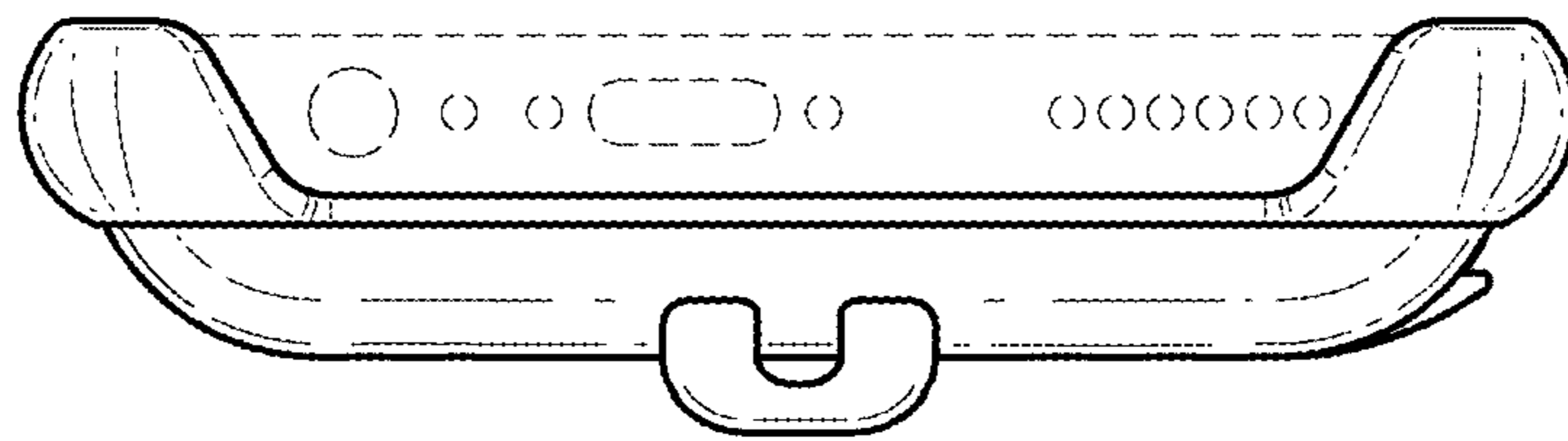


**FIG. 50**

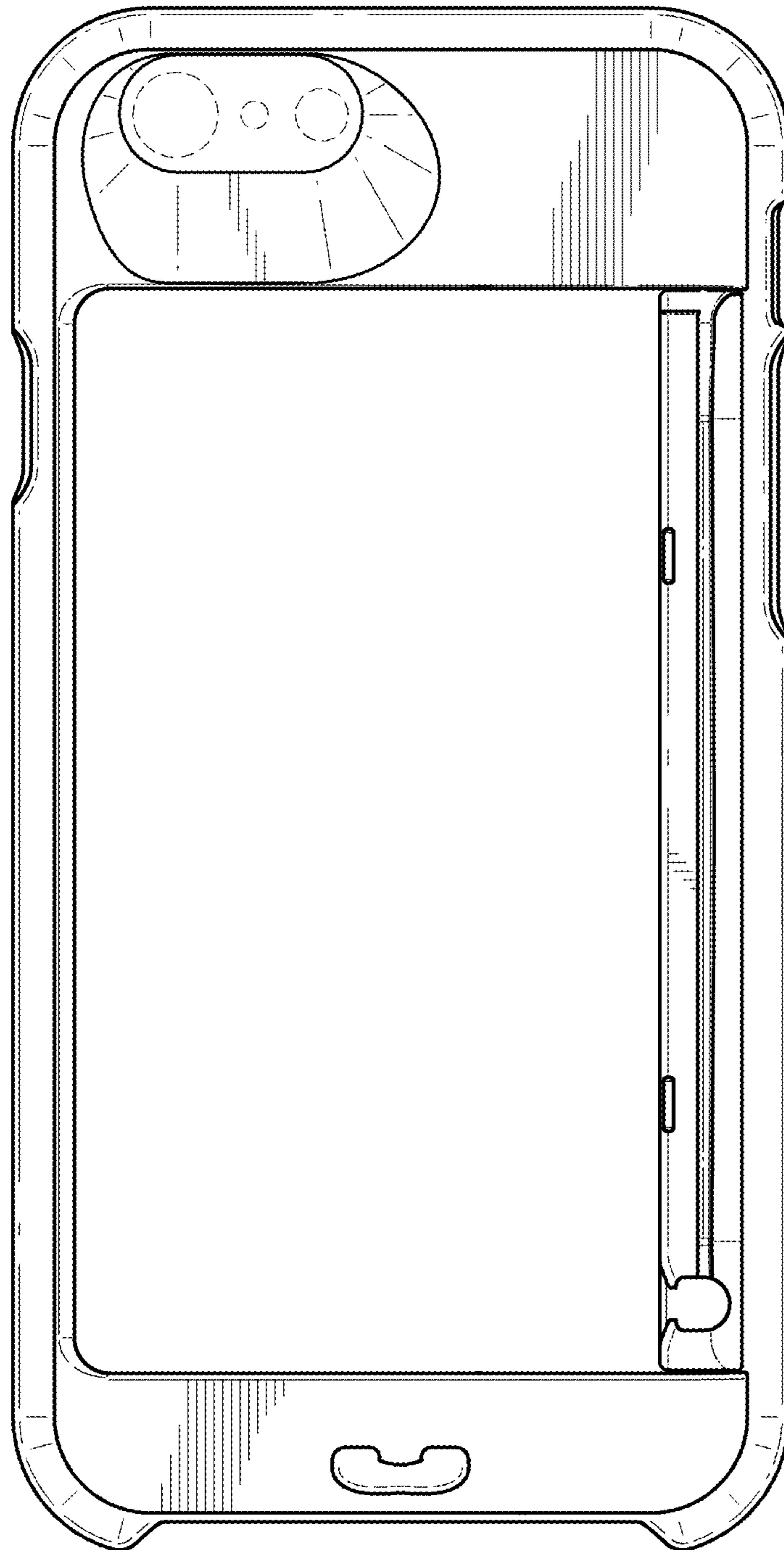




**FIG. 51**



**FIG. 52**



**FIG. 53**