



US00D836619S

(12) **United States Design Patent**  
**Yokoyama**

(10) **Patent No.:** **US D836,619 S**

(45) **Date of Patent:** **\*\* Dec. 25, 2018**

(54) **SERVICE GATEWAY**

(71) Applicant: **Sumitomo Electric Industries, Ltd.**,  
Osaka-shi, Osaka (JP)

(72) Inventor: **Ryo Yokoyama**, Osaka (JP)

(73) Assignee: **SUMITOMO ELECTRIC INDUSTRIES, LTD.**, Osaka-shi, Osaka (JP)

(\*\*) Term: **15 Years**

(21) Appl. No.: **29/618,066**

(22) Filed: **Sep. 19, 2017**

(30) **Foreign Application Priority Data**

Apr. 28, 2017 (JP) ..... 2017-009473

(51) **LOC (11) Cl.** ..... **14-03**

(52) **U.S. Cl.**  
USPC ..... **D14/240**; D14/358; D14/242

(58) **Field of Classification Search**  
USPC ..... D14/348, 349, 356-358, 363, 432, 433,  
D14/474, 480.1, 496, 125, 137, 139,  
D14/140-140.9, 140.11, 141.2, 142, 155,  
D14/203.1, 217, 230, 240, 242, 188, 299,  
D14/216, 204-206, 170, 171, 196;  
D13/184; D3/265; D10/50, 104.1, 106.2  
CPC ..... H04W 88/00; H04W 88/04; H04W 88/02;  
H04W 88/08; H04W 88/085; H04W  
88/10; H04W 88/12; H04W 88/16; H04W  
92/06; H04B 1/38; H04B 1/3827; H04L  
12/00; H03K 17/00

See application file for complete search history.

(56) **References Cited**

**U.S. PATENT DOCUMENTS**

D258,577 S \* 3/1981 Bottner ..... D10/104.1  
D437,316 S \* 2/2001 Lin ..... D14/301

D571,351 S \* 6/2008 Sogabe ..... D14/168  
D585,061 S \* 1/2009 Han ..... D14/358  
D596,626 S \* 7/2009 Andre ..... D14/240  
D601,583 S \* 10/2009 Andre ..... D14/496  
D614,594 S \* 4/2010 Suzuki ..... D14/125  
D654,885 S \* 2/2012 Isaias ..... D14/125  
D657,784 S \* 4/2012 Akana ..... D14/314  
D662,496 S \* 6/2012 Lewis ..... D14/240  
D751,426 S \* 3/2016 Edgar ..... D10/50  
D758,217 S \* 6/2016 Kumfer ..... D10/50  
D768,607 S \* 10/2016 Altonen ..... D14/240

**FOREIGN PATENT DOCUMENTS**

JP 29618396 \* 9/2013

\* cited by examiner

*Primary Examiner* — Jeffrey D Asch

*Assistant Examiner* — Tracey J Bell

(74) *Attorney, Agent, or Firm* — Drinker Biddle & Reath LLP

(57) **CLAIM**

The ornamental design for a service gateway, as shown and described.

**DESCRIPTION**

FIG. 1 is a front view of a service gateway in accordance with the present design,  
FIG. 2 is a rear view thereof;  
FIG. 3 is a right side view thereof;  
FIG. 4 is a left side view thereof;  
FIG. 5 is a top view thereof;  
FIG. 6 is a bottom view thereof;  
FIG. 7 is a perspective view 1 thereof;  
FIG. 8 is a perspective view 2 thereof;  
FIG. 9 is a perspective view 3 thereof; and,  
FIG. 10 is a perspective view 4 thereof.

**1 Claim, 5 Drawing Sheets**

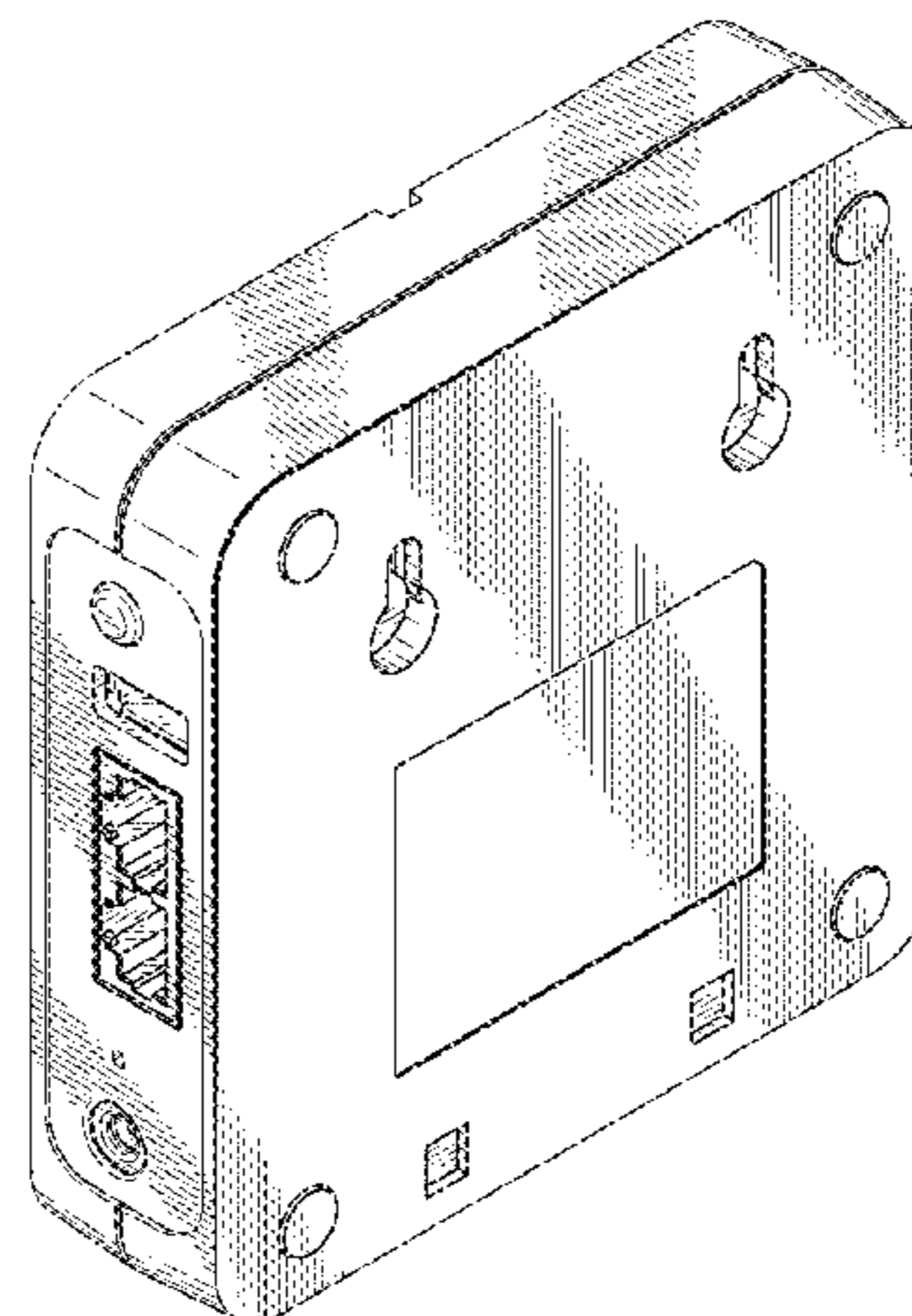
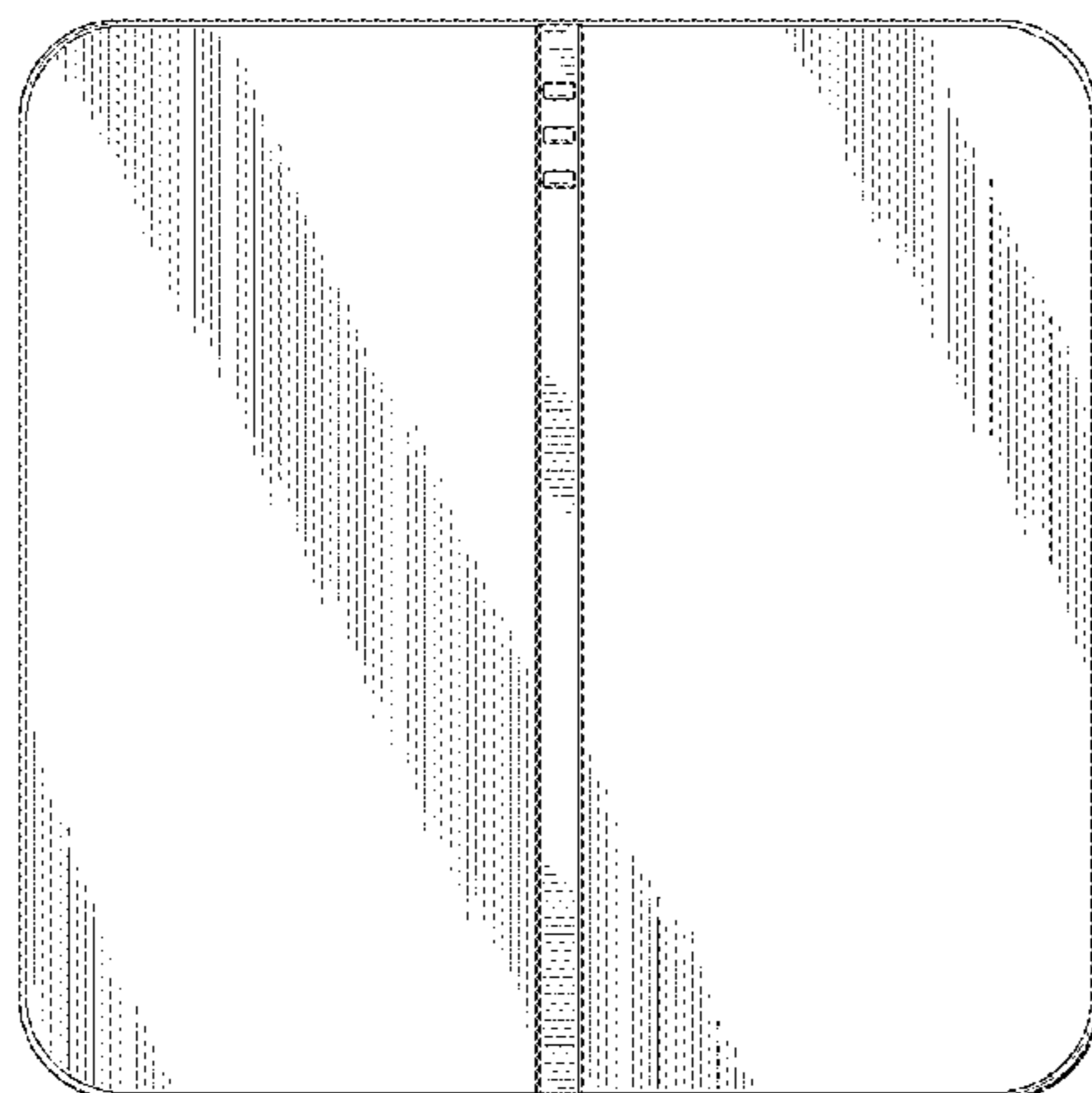


FIG.1

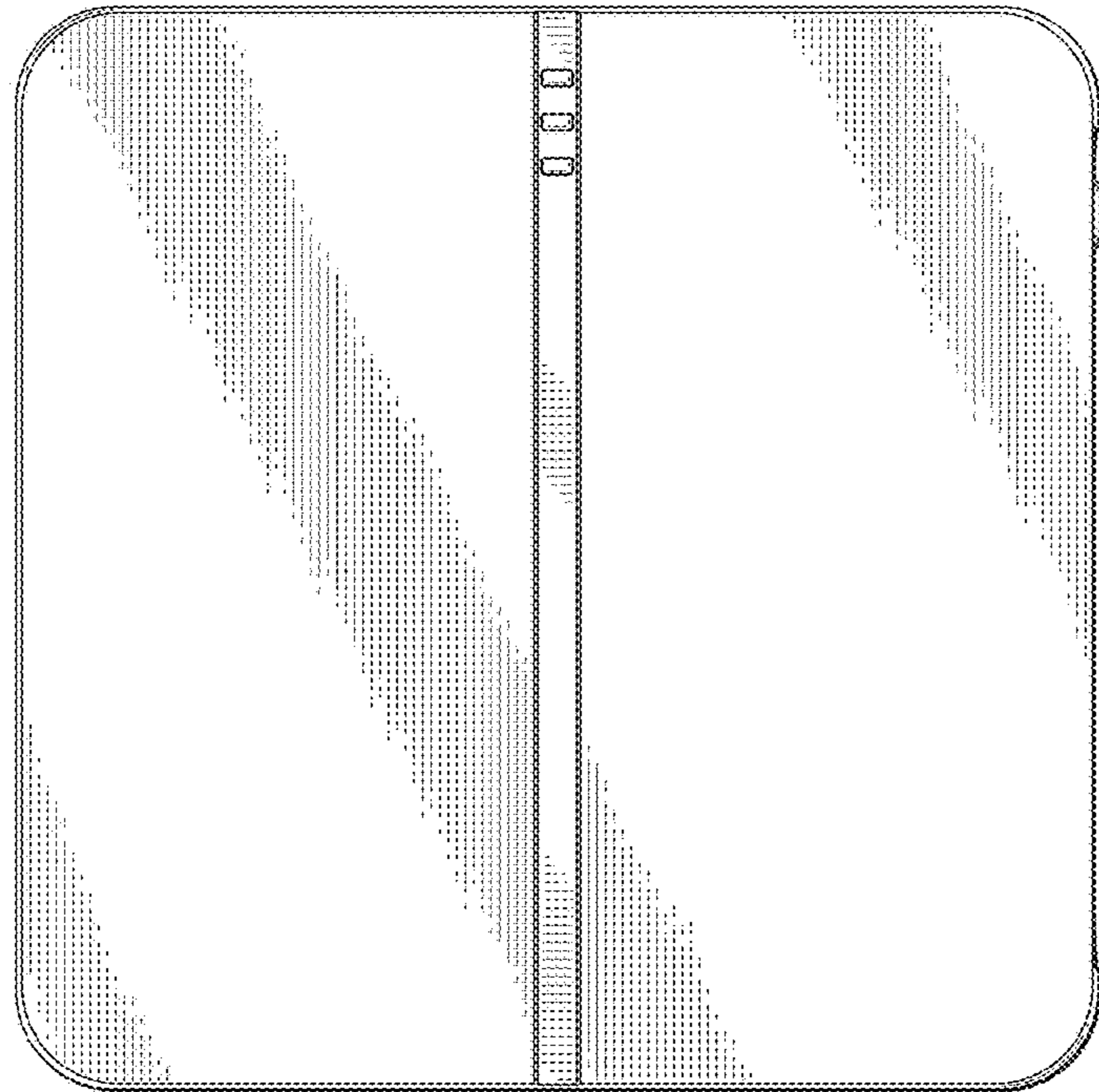


FIG.2

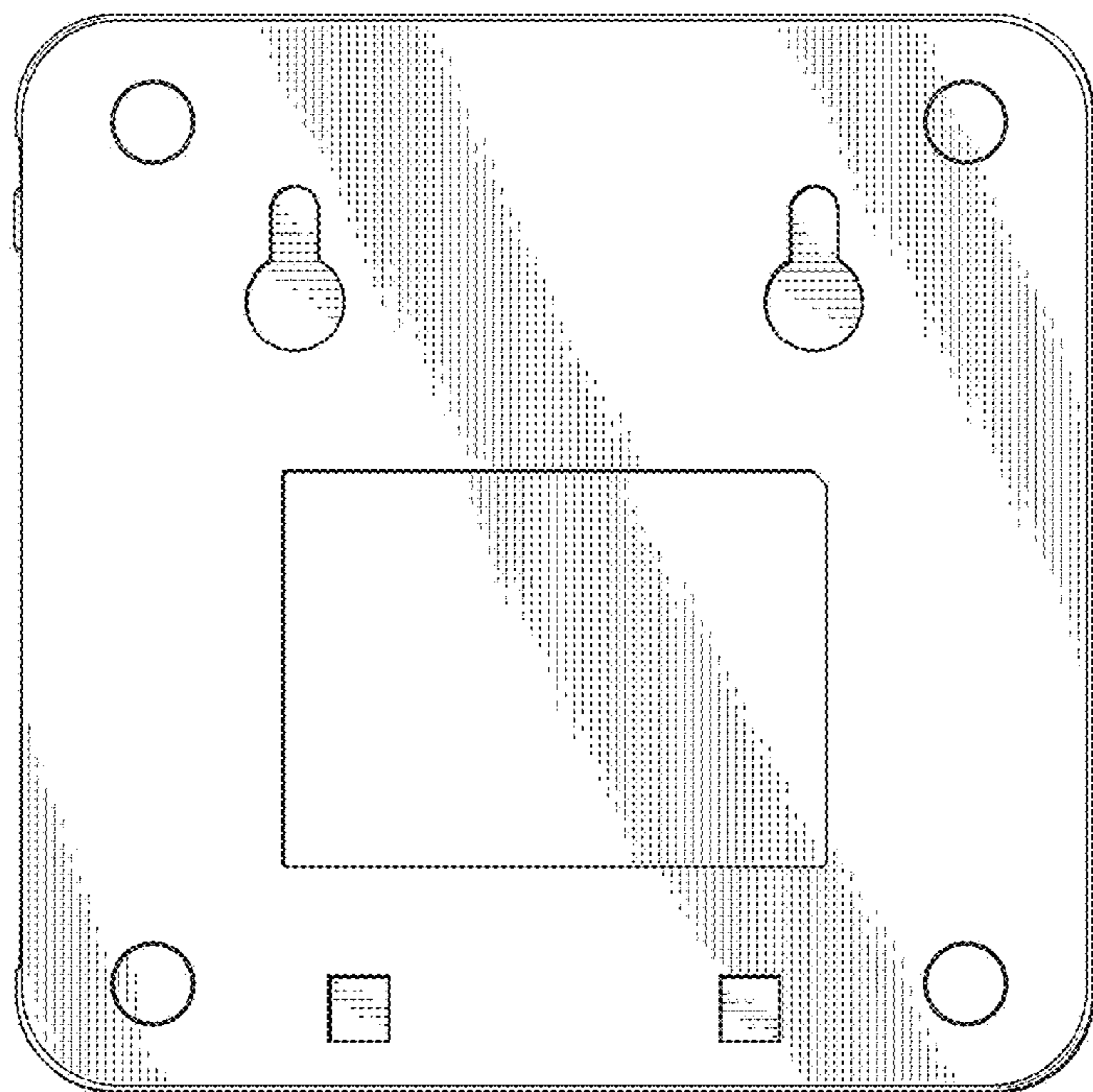


FIG.3

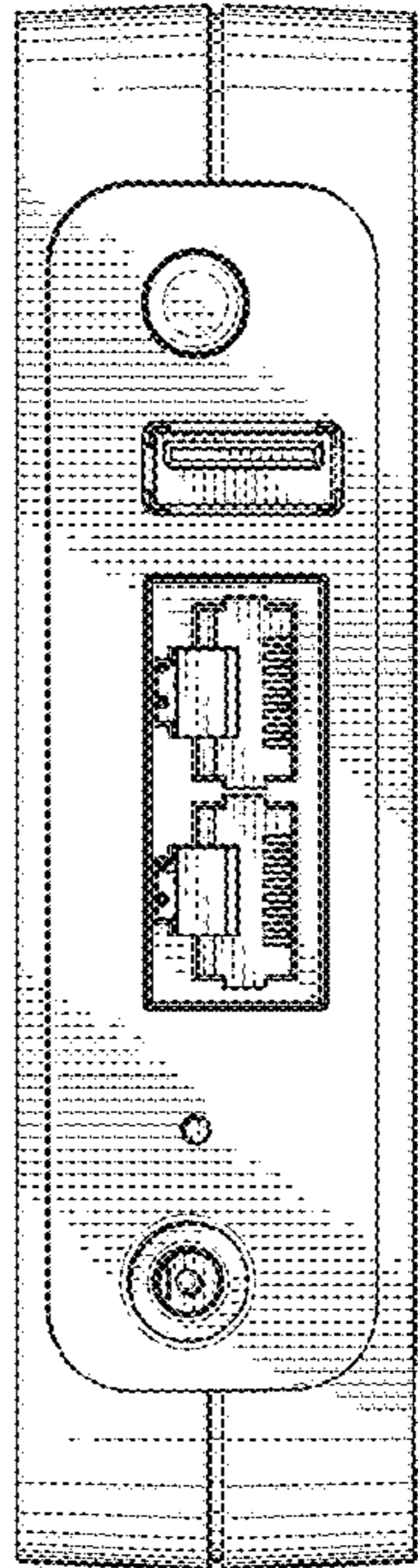


FIG.4

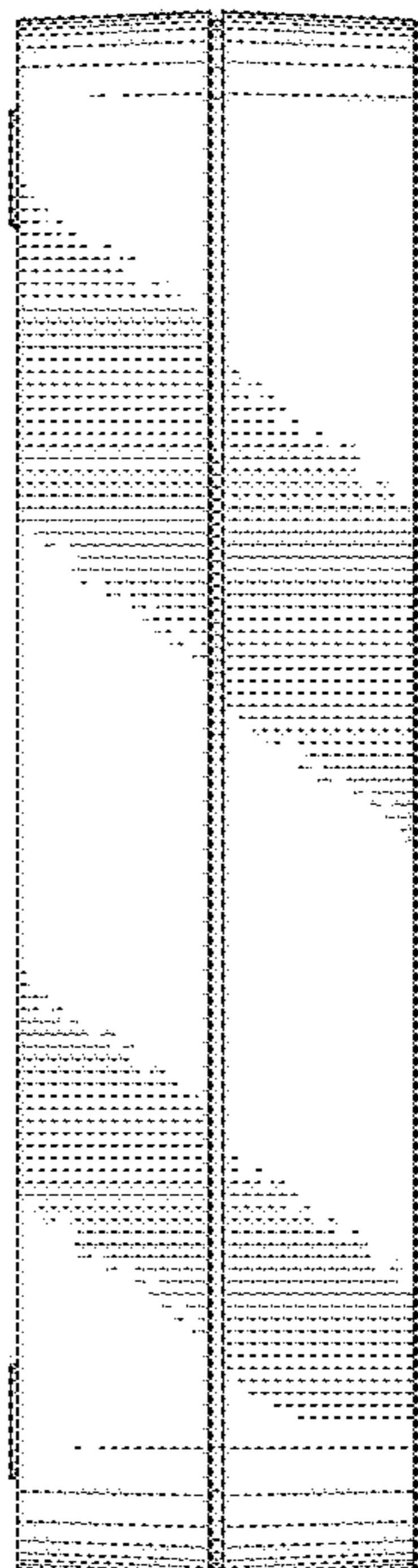




FIG.5

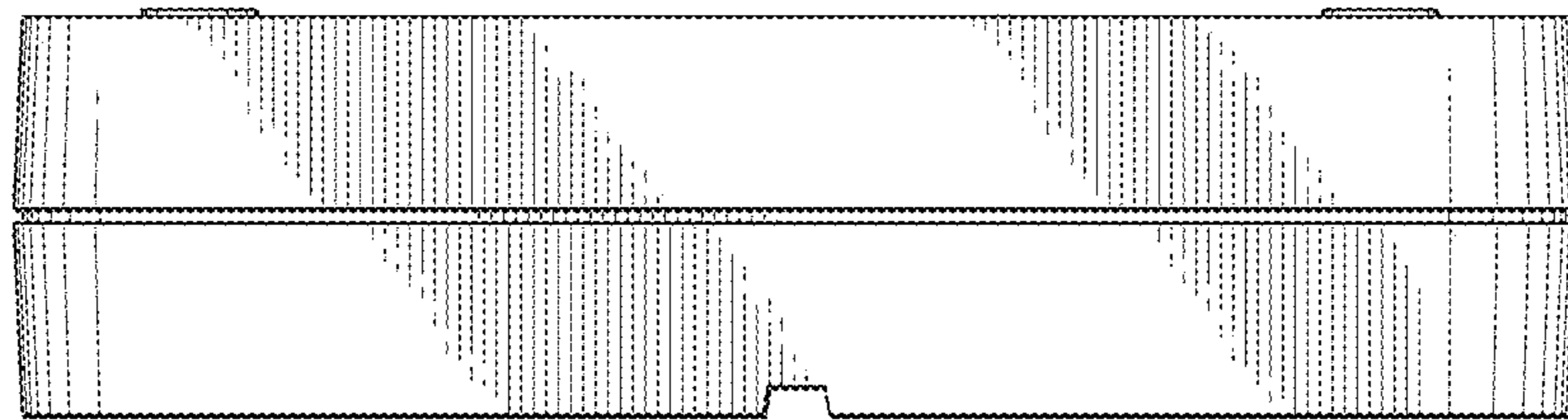


FIG.6

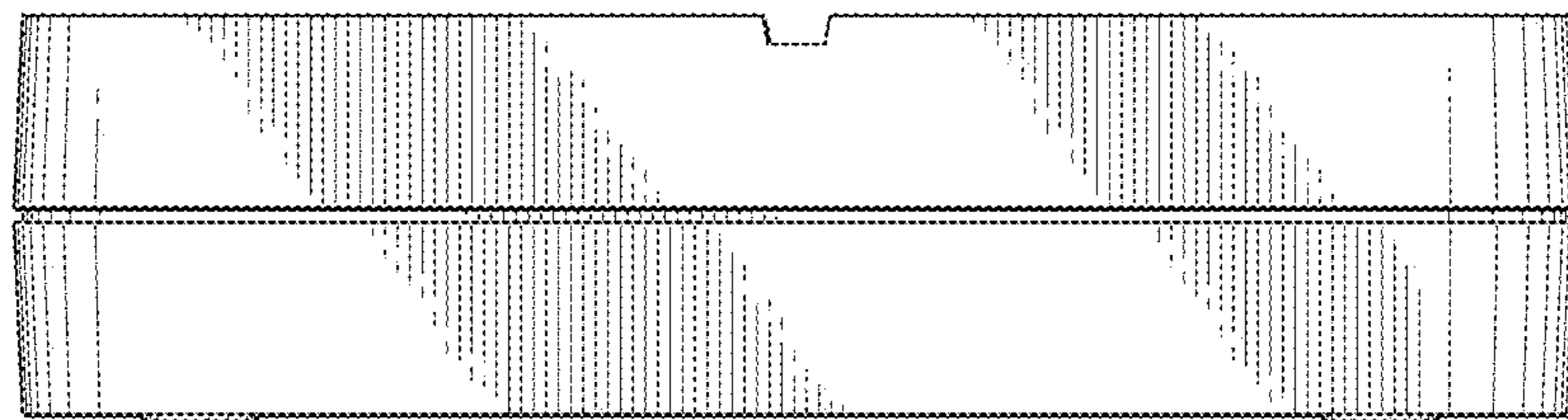


FIG.7

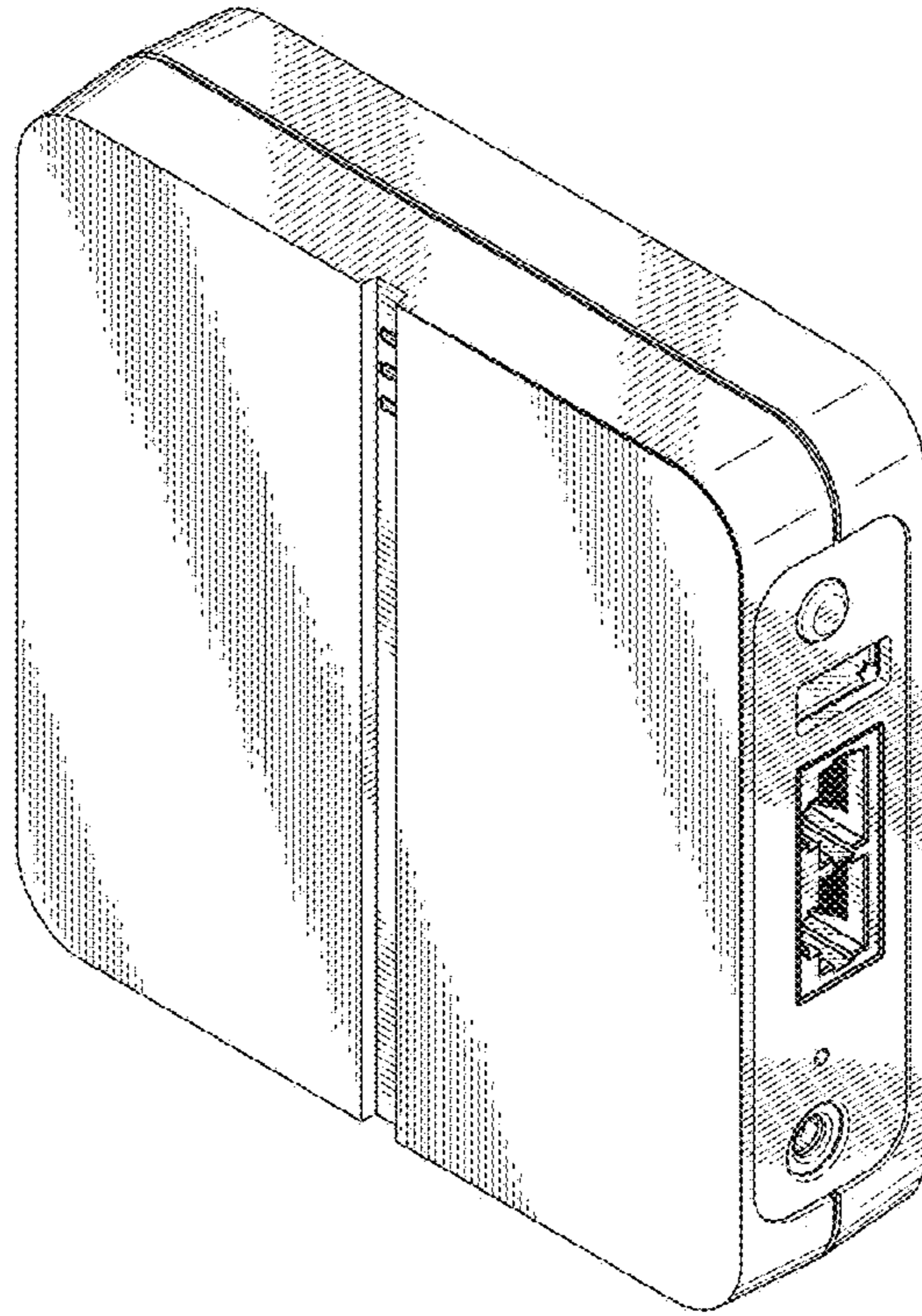


FIG.8

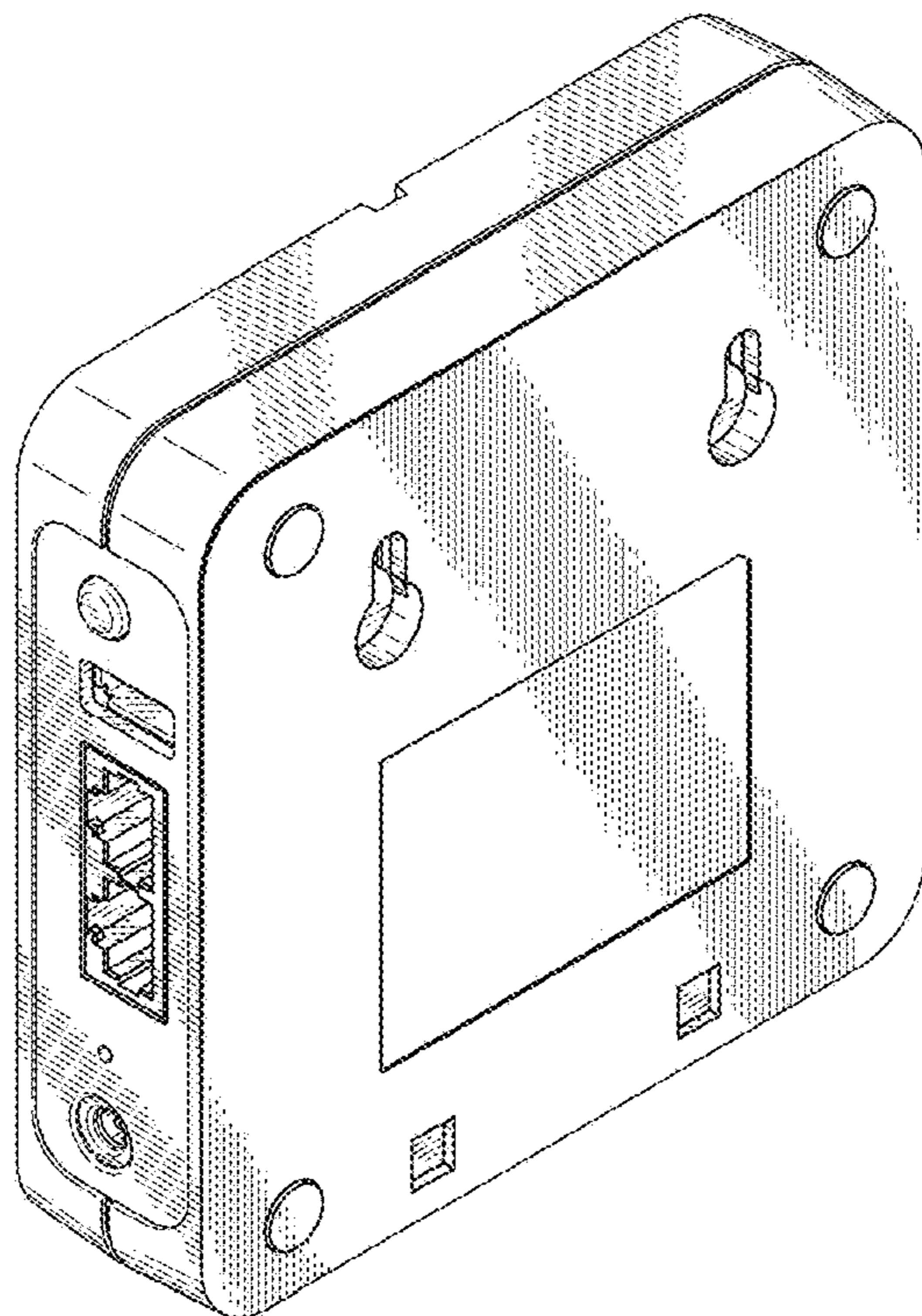


FIG.9

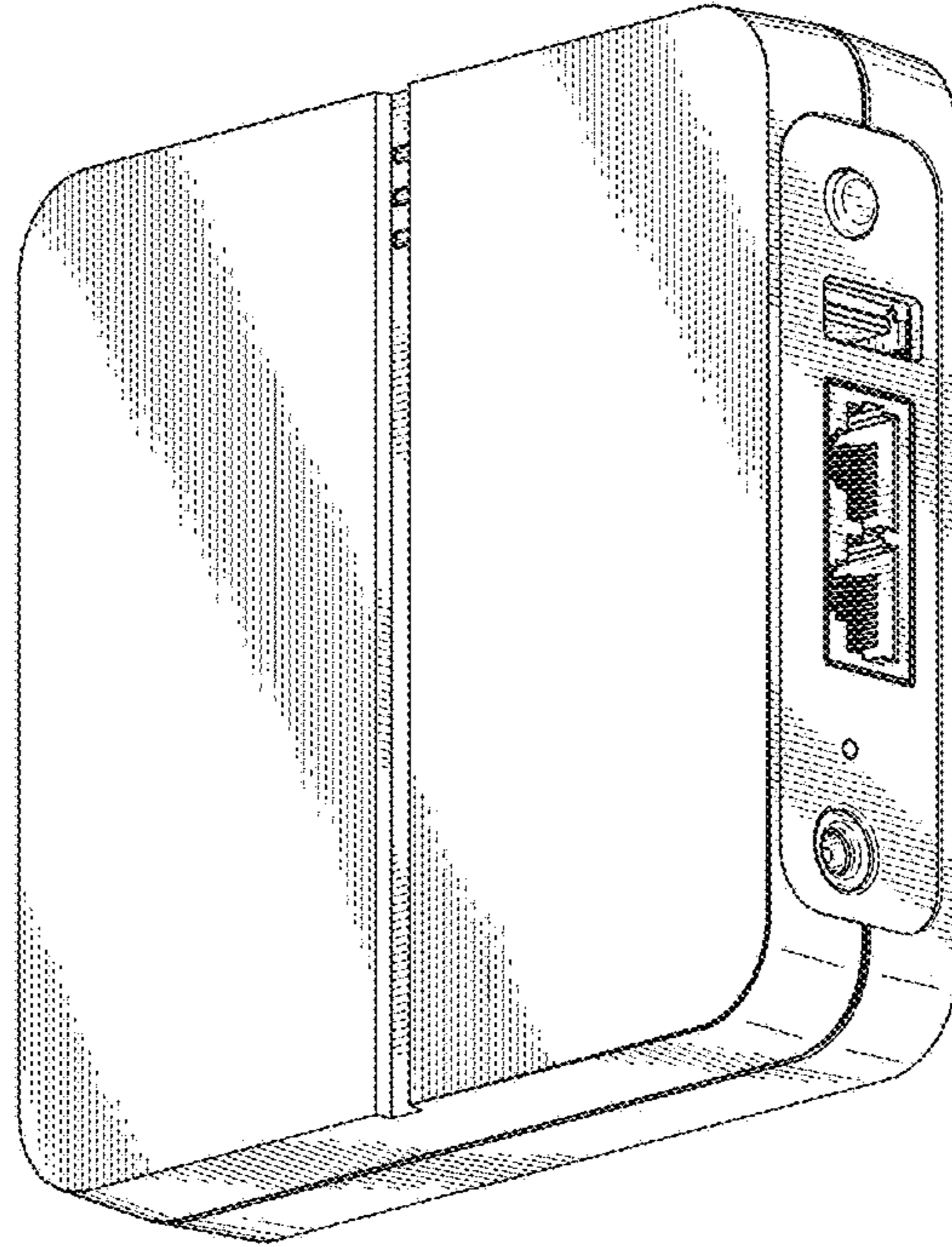


FIG.10

