



US00D836617S

(12) **United States Design Patent** (10) **Patent No.:** **US D836,617 S**
Shu (45) **Date of Patent:** **** Dec. 25, 2018**

(54) **WALL MOUNT FOR LARGE-SCALE MULTI-FUNCTIONAL TELEVISION**

(71) Applicant: **Hua Shu**, Linxiang (CN)

(72) Inventor: **Hua Shu**, Linxiang (CN)

(**) Term: **15 Years**

(21) Appl. No.: **29/624,691**

(22) Filed: **Nov. 2, 2017**

(51) **LOC (11) Cl.** **14-03**

(52) **U.S. Cl.**
 USPC **D14/239**

(58) **Field of Classification Search**

USPC D14/239, 371, 136, 374-377; D8/363, D8/373, 349, 394; 248/465, 917-924, 248/123.11; 348/825, 827, 836, 837, 838, 348/180, 184, 325, 739; 600/443; D6/477-479, 407, 474, 460, 461, 468; 312/7.2; 341/12; 345/87, 104, 133, 156, 345/168, 169, 173; 720/605, 669, 600, 720/655; 369/99, 197; 455/344-347; 349/1, 2, 11, 62; 108/59, 91, 92, 96; 211/40, 41.12, 42, 49.1, 50, 85.2, 90.04, 211/187, 190, 119.003, 134.1, 53, 87.01, 211/71.01

CPC A47B 43/00; G03B 1/00
 See application file for complete search history.

(56) **References Cited**

U.S. PATENT DOCUMENTS

D553,125 S *	10/2007	Ly Hau	D14/239
D631,876 S *	2/2011	Molter	D14/239
D634,739 S *	3/2011	Molter	D14/239
D643,421 S *	8/2011	Russell	D14/239
D747,724 S *	1/2016	Kulkarni	D14/452

* cited by examiner

Primary Examiner — Randall H Gholson

(74) *Attorney, Agent, or Firm* — Novoclaims Patent Services LLC; Mei Lin Wong

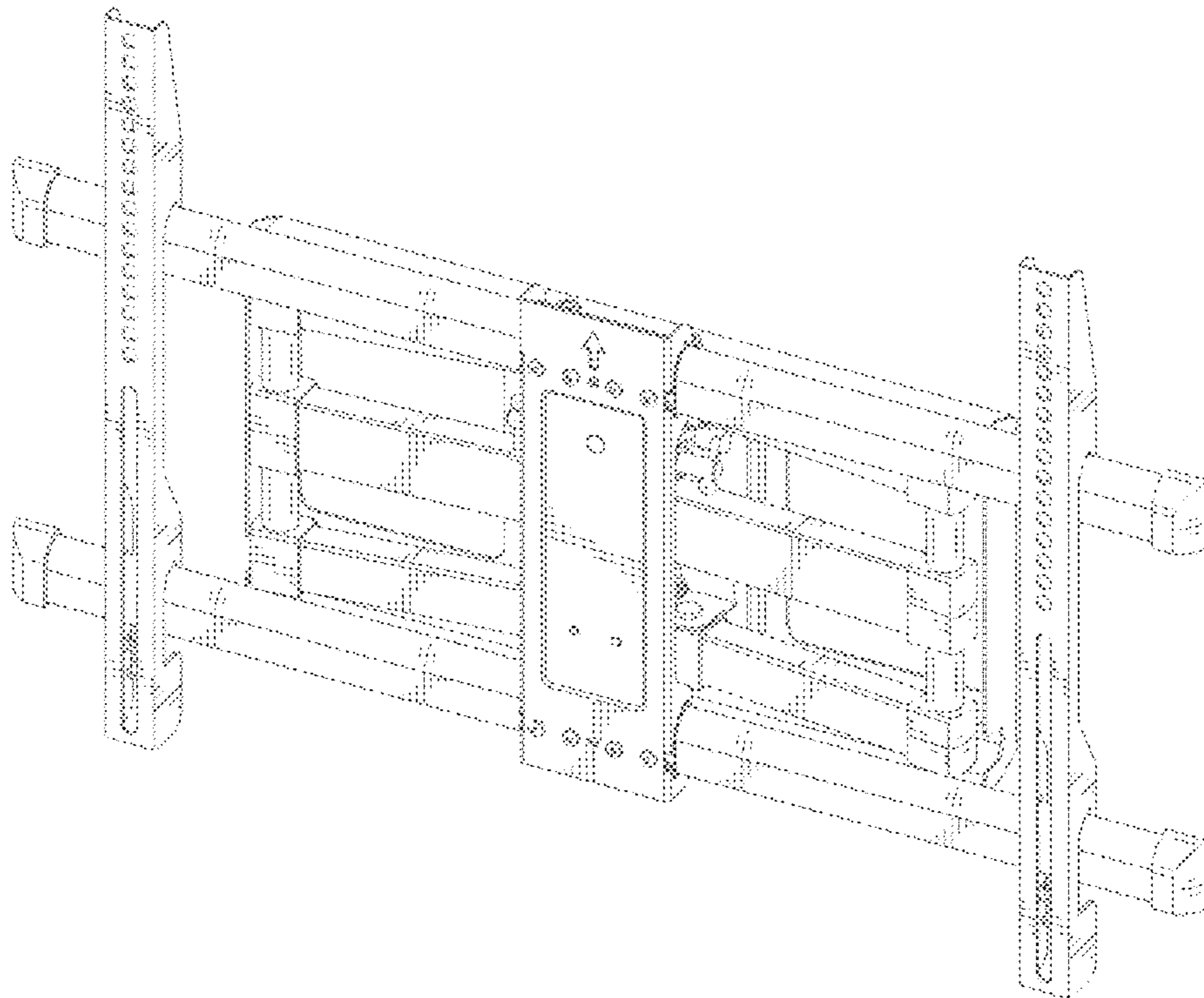
(57) **CLAIM**

The ornamental design of a wall mount for large-scale multi-functional television, as shown and described.

DESCRIPTION

FIG. 1 is a perspective view of a wall mount for large-scale multi-functional television, showing my new design.
 FIG. 2 is a rear perspective view thereof.
 FIG. 3 is a front view thereof.
 FIG. 4 is a rear view thereof.
 FIG. 5 is a left side view thereof.
 FIG. 6 is a right side view thereof.
 FIG. 7 is a top view thereof.
 FIG. 8 is a bottom view thereof; and,
 FIG. 9 is a rear perspective view thereof, showing an in-use position.

1 Claim, 9 Drawing Sheets



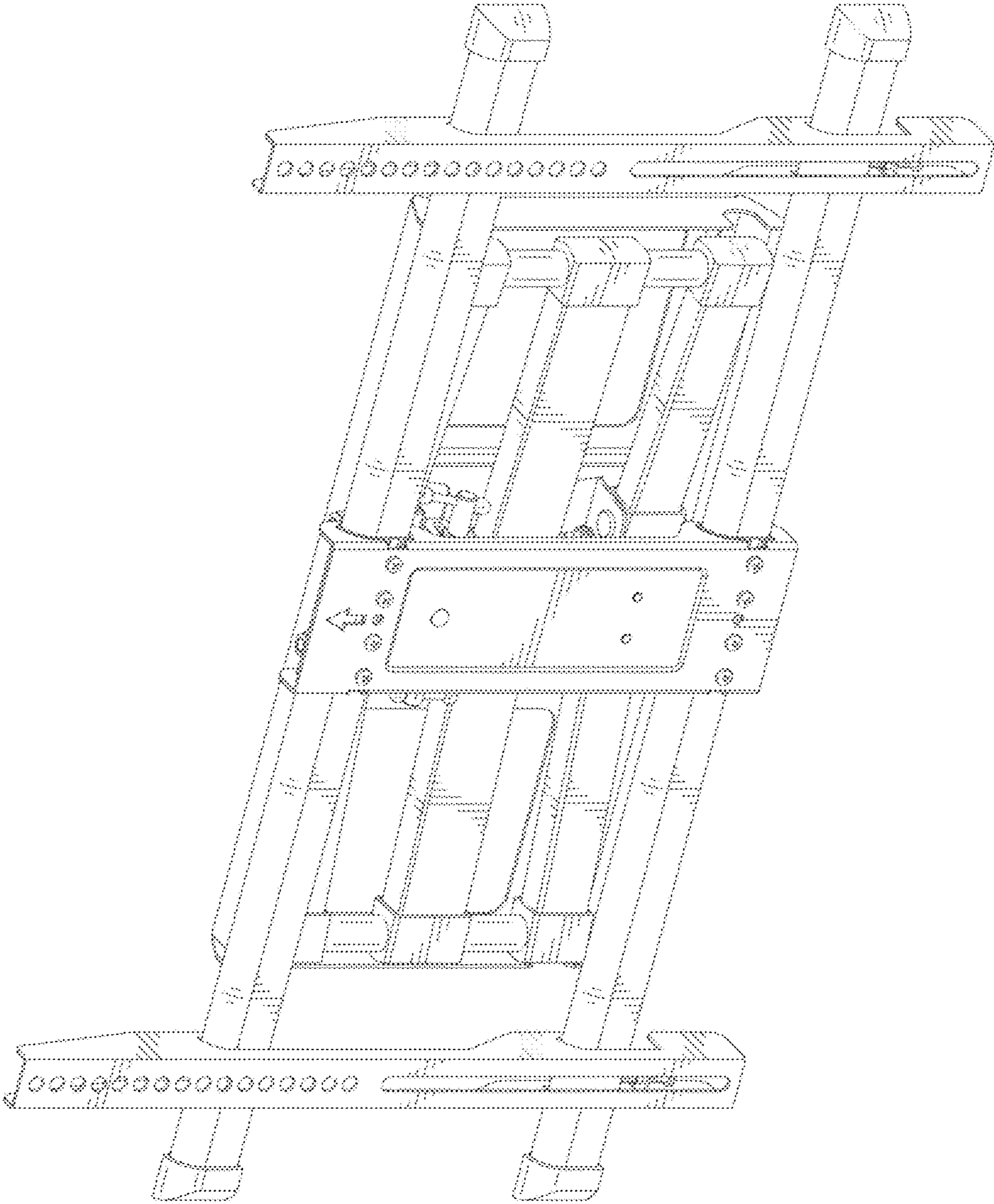


FIG.1

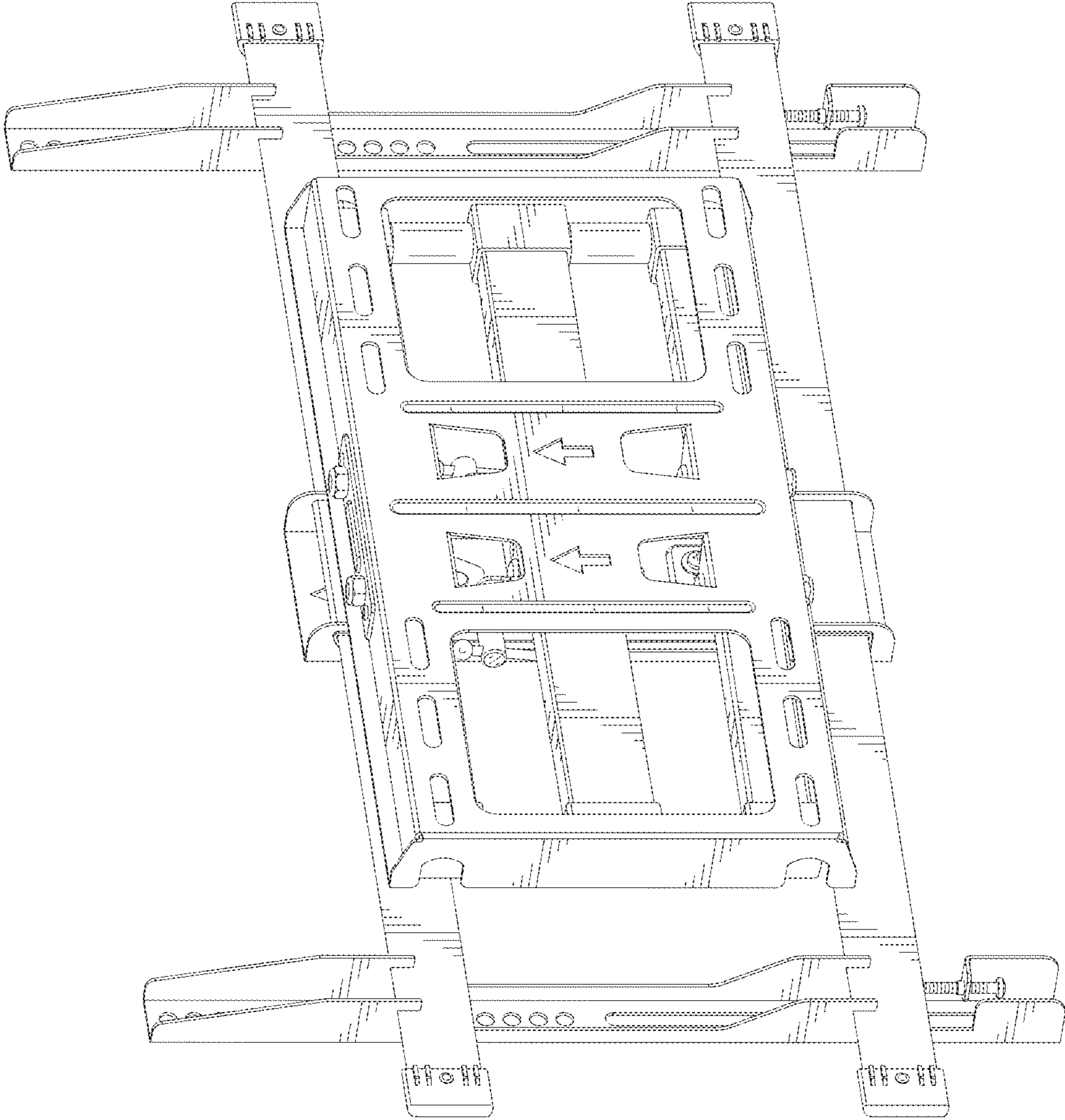


FIG.2

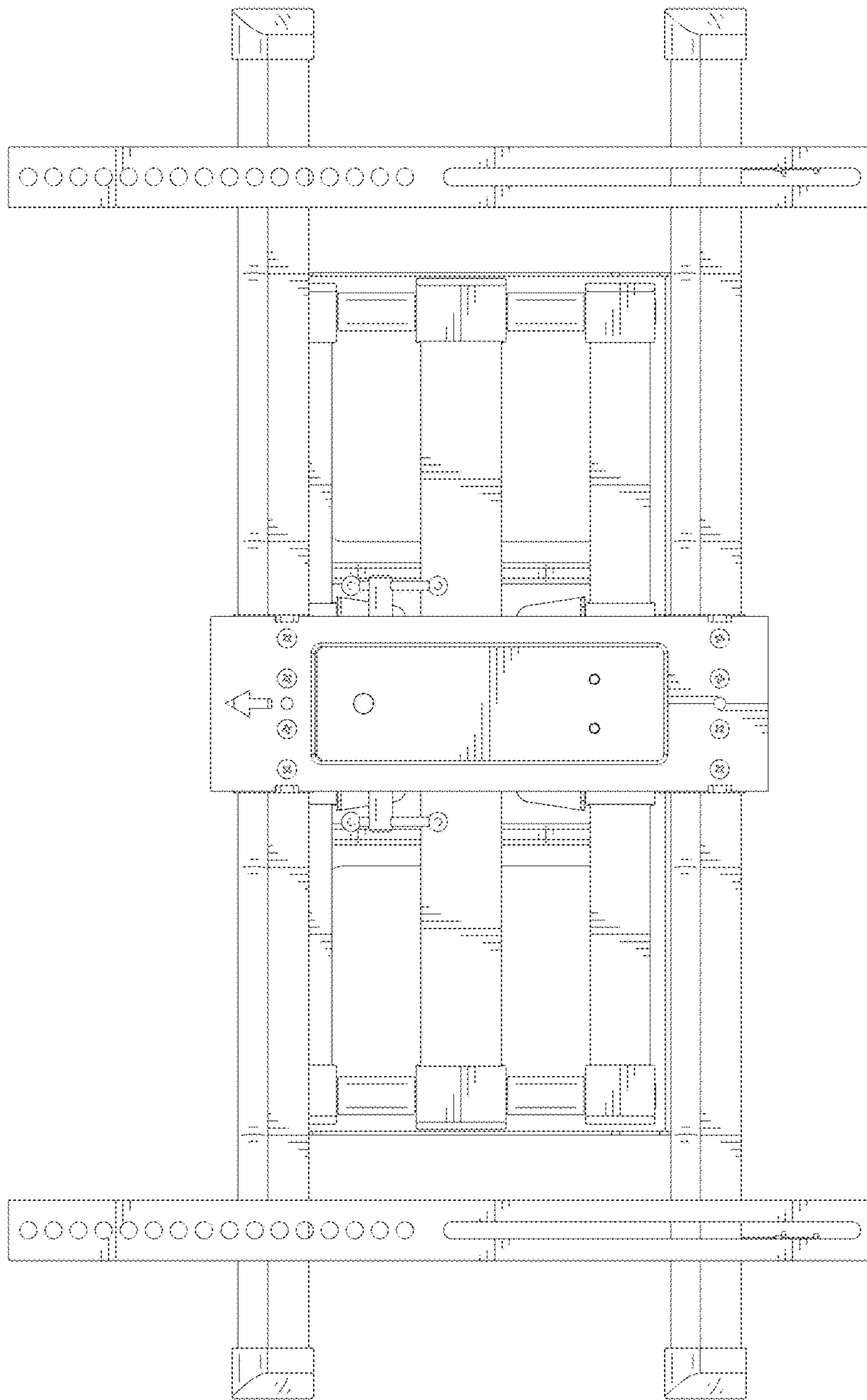


FIG. 3

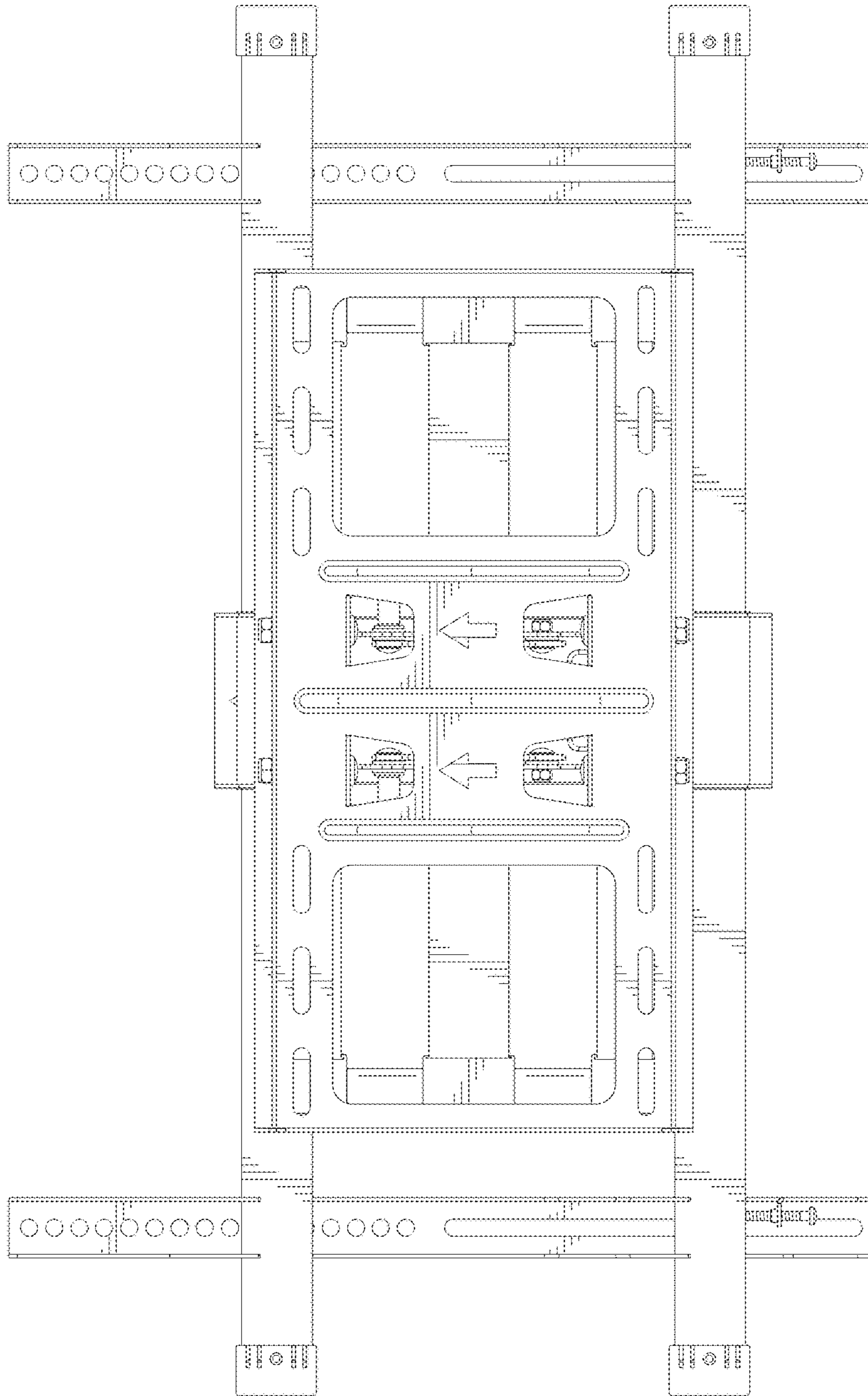


FIG.4

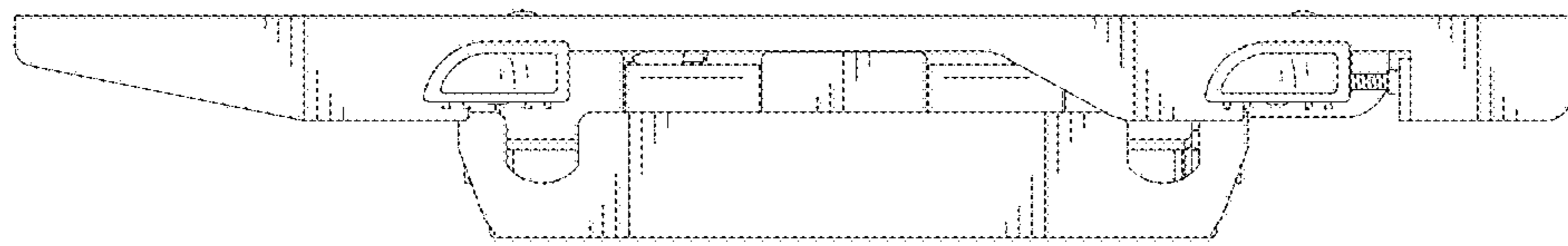


FIG.5

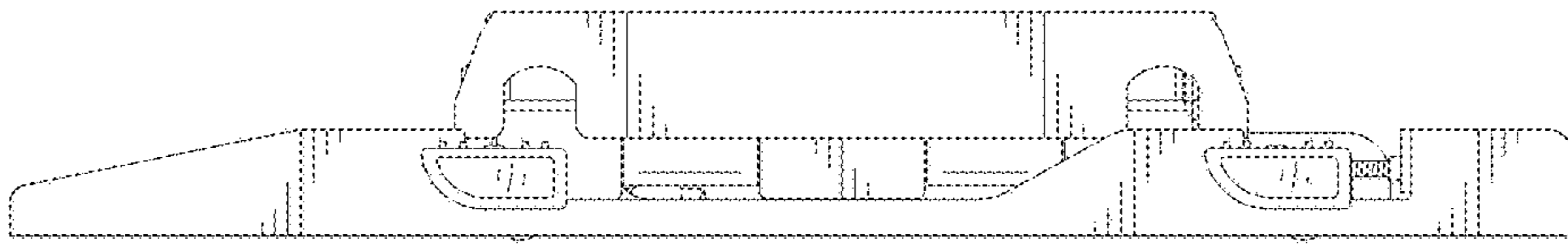


FIG.6

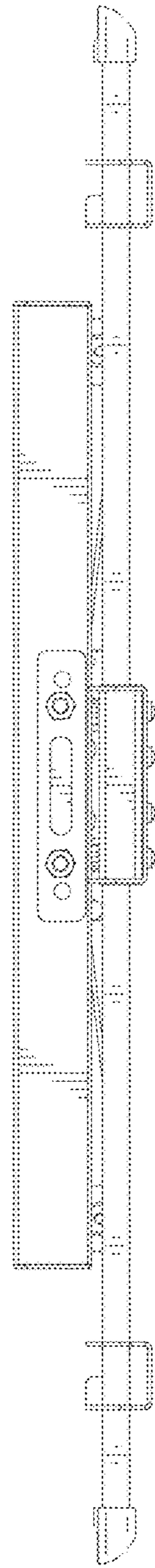


FIG.7

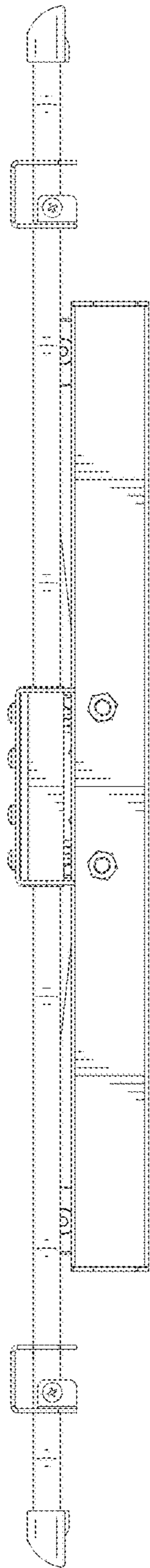


FIG.8

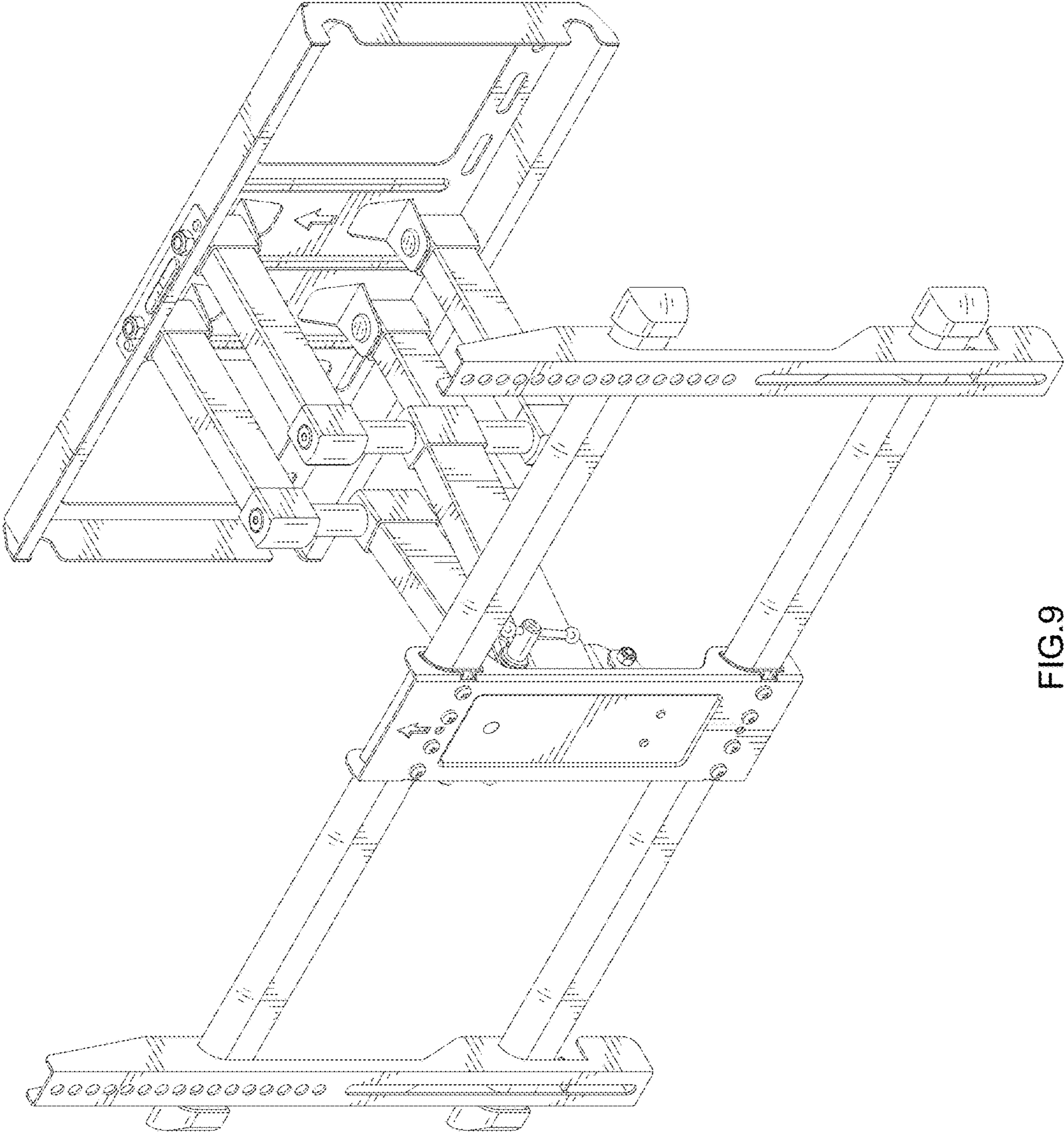


FIG.9