



US00D836615S

(12) **United States Design Patent** (10) **Patent No.:** **US D836,615 S**
Su (45) **Date of Patent:** **** Dec. 25, 2018**

(54) **MICROPHONE**

(71) Applicant: **Kuo Su**, Xuancheng (CN)

(72) Inventor: **Kuo Su**, Xuancheng (CN)

(**) Term: **15 Years**

(21) Appl. No.: **29/623,787**

(22) Filed: **Oct. 26, 2017**

(51) **LOC (11) Cl.** **14-01**

(52) **U.S. Cl.**
USPC **D14/226**

(58) **Field of Classification Search**
USPC D14/224-229; D16/244; D17/99;
D6/681; 248/125.1, 166, 185.1;
381/355, 359, 361-363, 365, 366, 369,
381/375; 379/428.01, 428.04, 431,
379/433.03
CPC . H04R 25/00; H04R 1/02; H04R 5/02; H04R
9/08; F16M 11/38; F16M 13/00; F16M
11/00
See application file for complete search history.

(56) **References Cited**

U.S. PATENT DOCUMENTS

6,061,457 A * 5/2000 Stockhamer H04R 1/00
367/140
D462,343 S * 9/2002 Wang D14/225
D495,319 S * 8/2004 Lee D14/226

D519,499 S * 4/2006 Lee D14/497
D557,690 S * 12/2007 Lee D14/228
D589,032 S * 3/2009 Lee D14/228
D612,367 S * 3/2010 Lee D14/228
D619,619 S * 7/2010 Lee D14/228
D620,954 S * 8/2010 Lee D14/228
D623,631 S * 9/2010 Kung D14/228
D682,812 S * 5/2013 Park D14/225
D813,208 S * 3/2018 Nie D14/226
2011/0054922 A1* 3/2011 Gaines G06Q 30/02
705/1.1

* cited by examiner

Primary Examiner — Katie Jane Stofko
(74) *Attorney, Agent, or Firm* — Novoclaims Patent
Services LLC; Mei Lin Wong

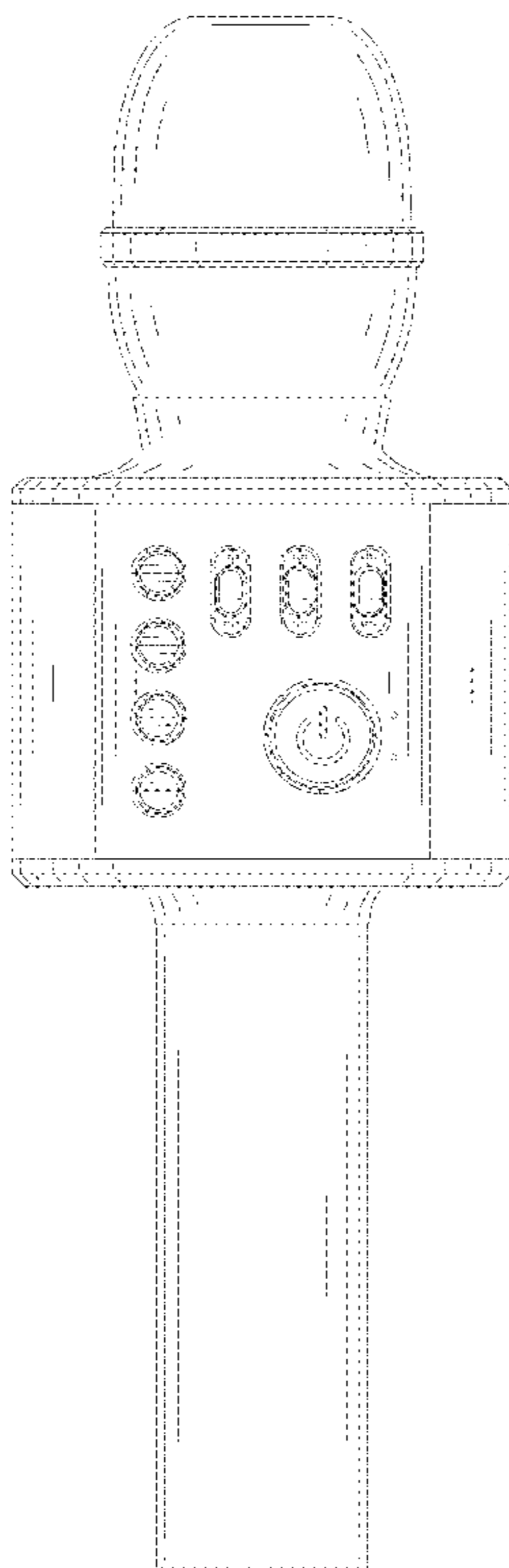
(57) **CLAIM**

The ornamental design of a microphone, as shown and described.

DESCRIPTION

FIG. 1 is a perspective view of a microphone, showing my new design.
FIG. 2 is a bottom perspective view thereof.
FIG. 3 is a front view thereof.
FIG. 4 is a rear view thereof.
FIG. 5 is a left side view thereof.
FIG. 6 is a right side view thereof.
FIG. 7 is a top view thereof; and,
FIG. 8 is a bottom view thereof.

1 Claim, 8 Drawing Sheets



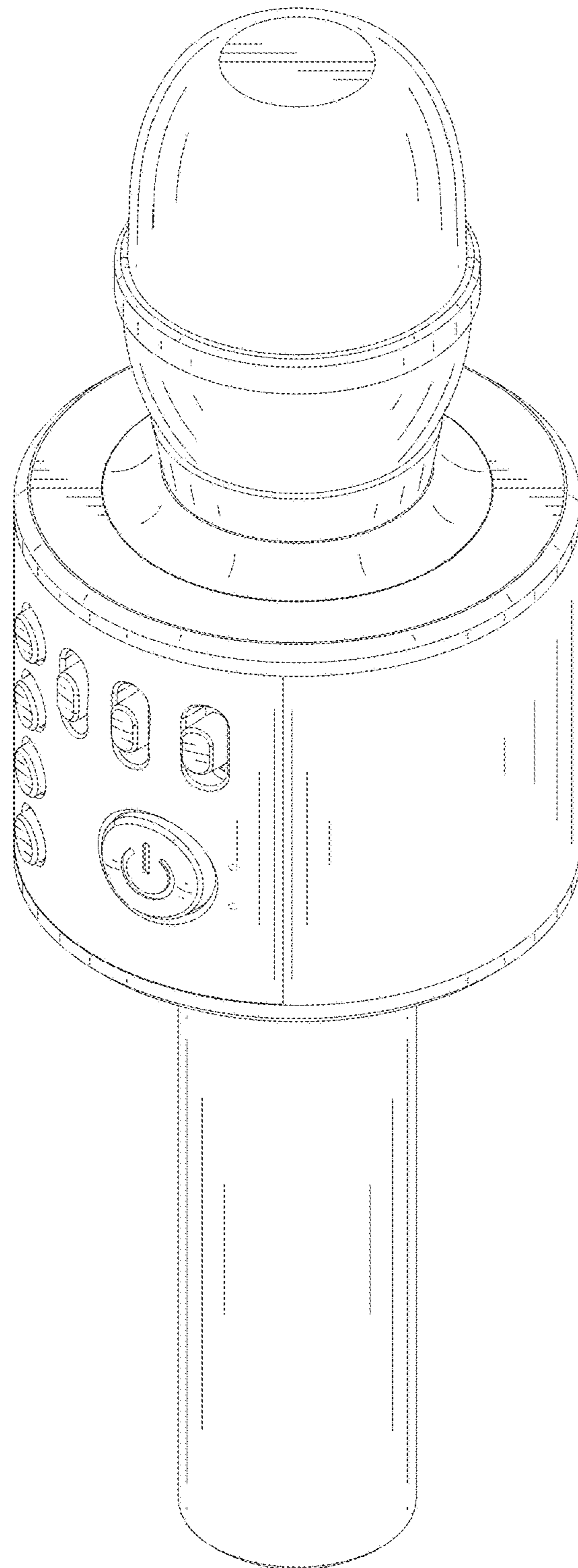


FIG. 1

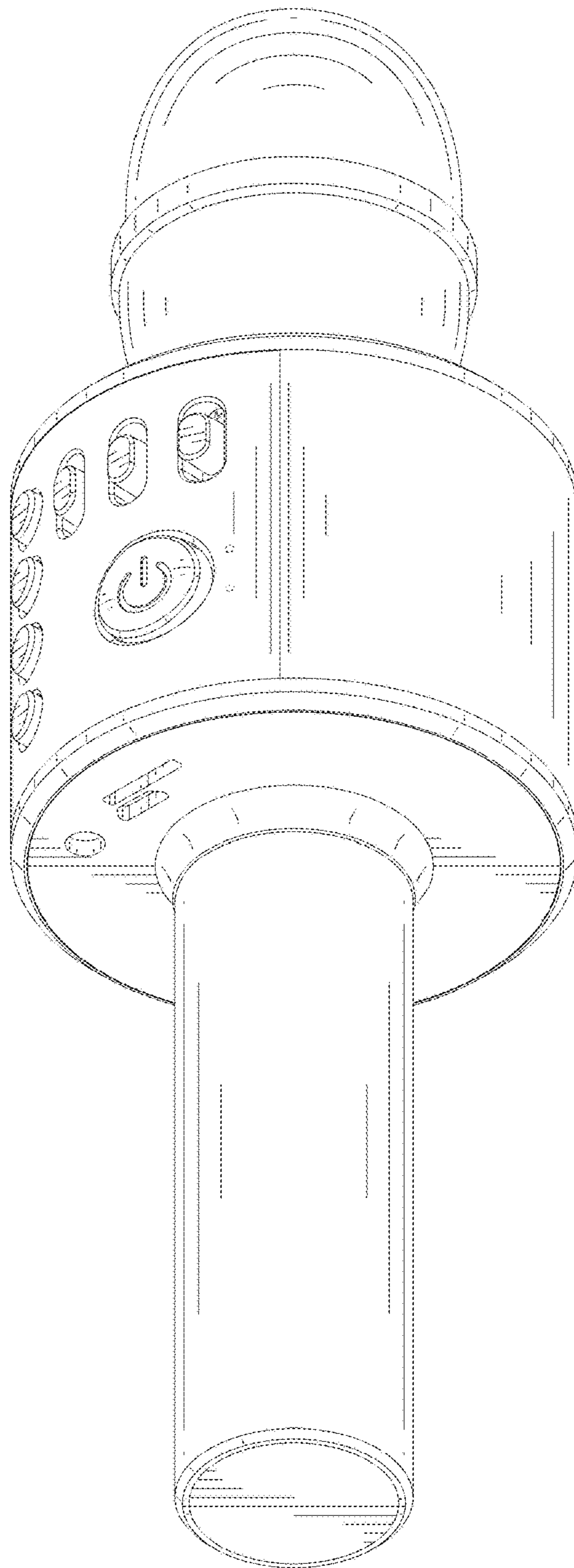


FIG.2

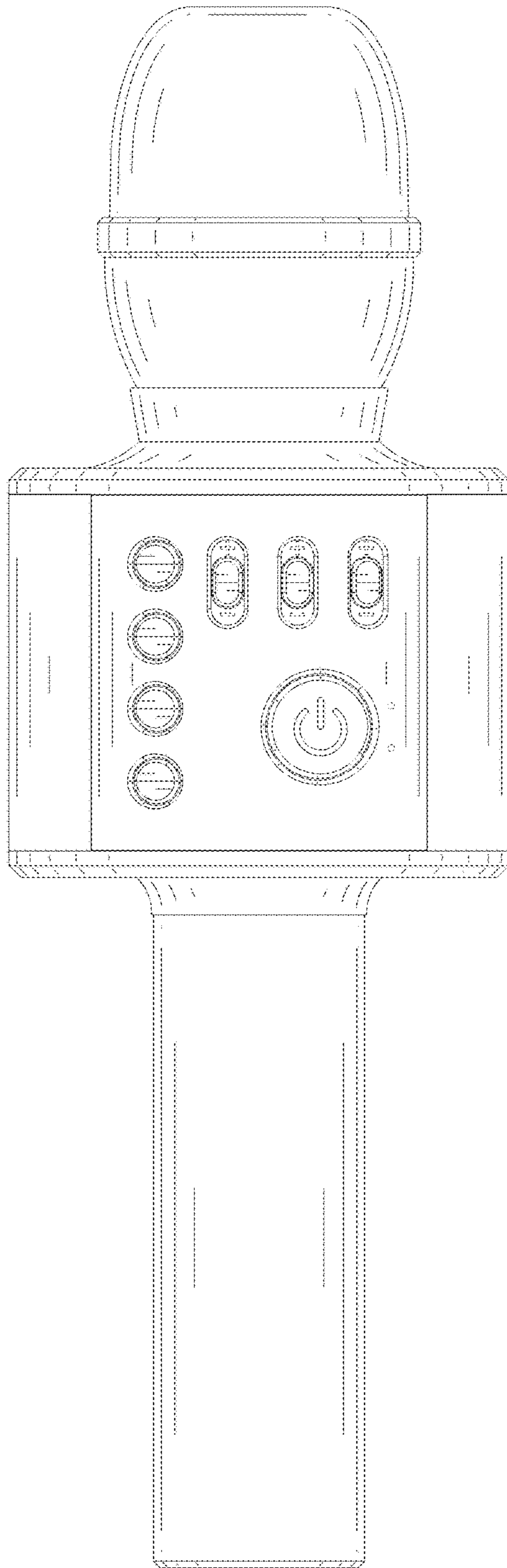


FIG.3

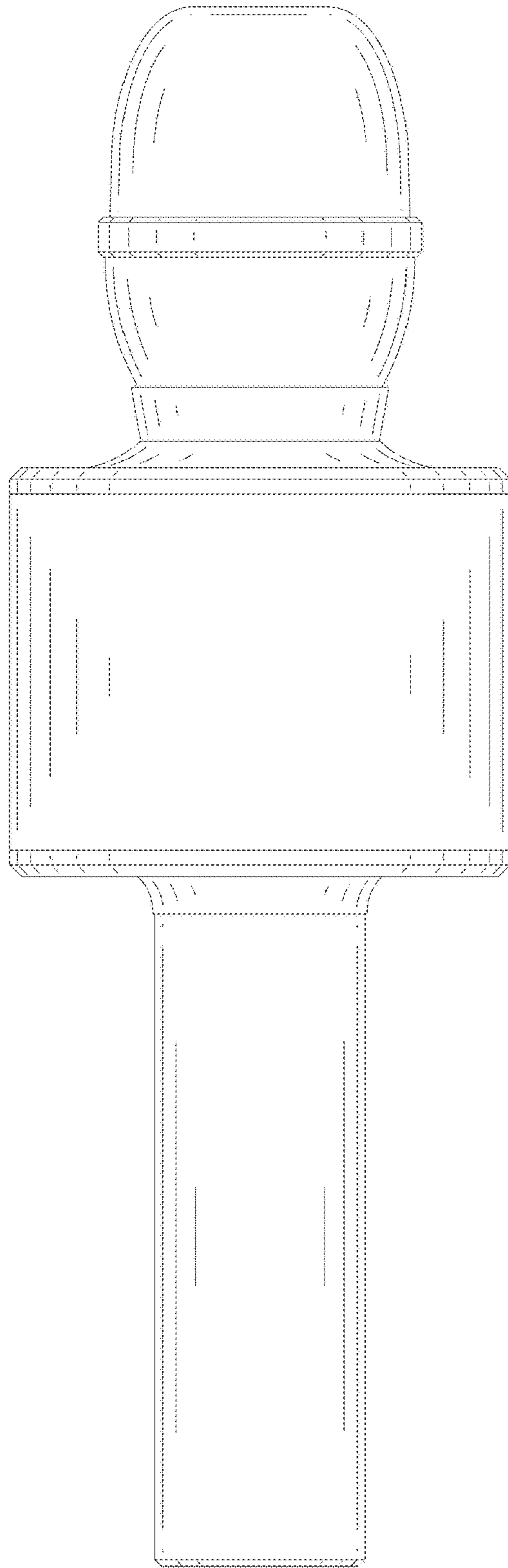


FIG.4

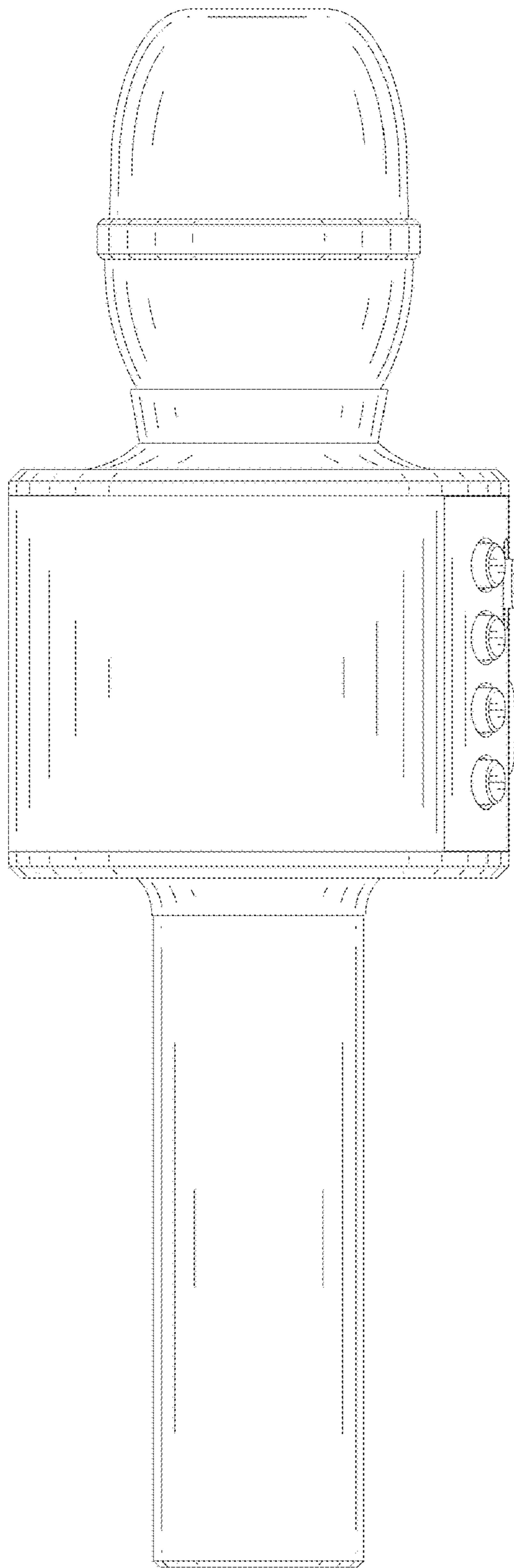


FIG.5

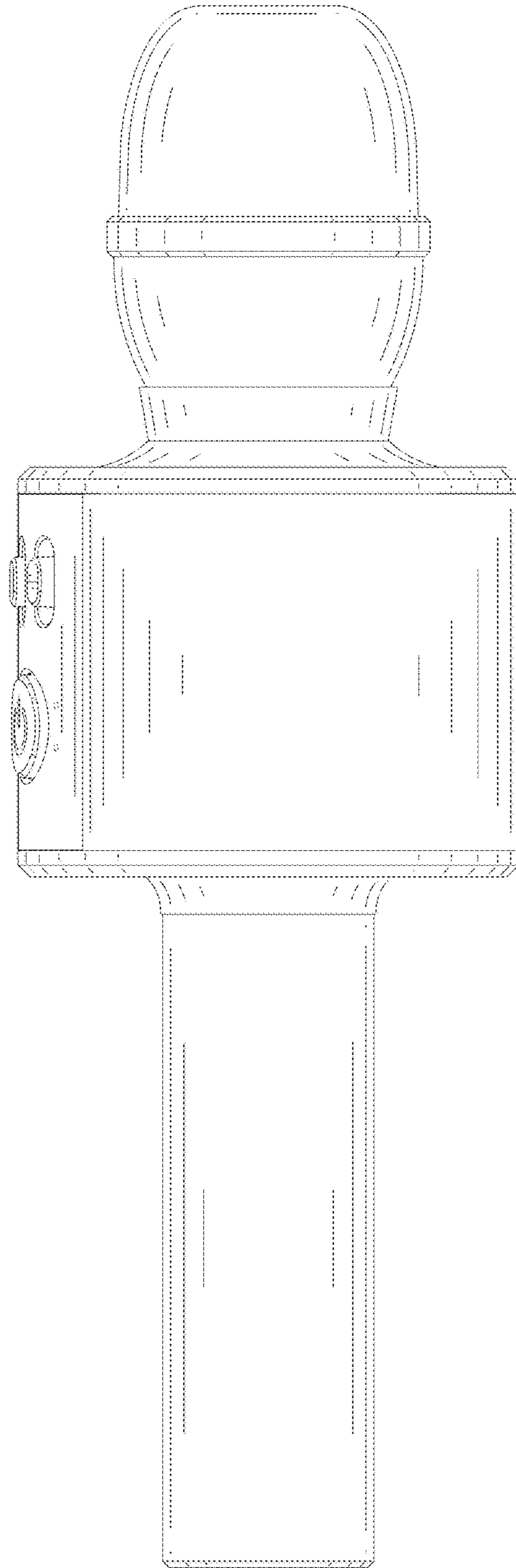


FIG.6

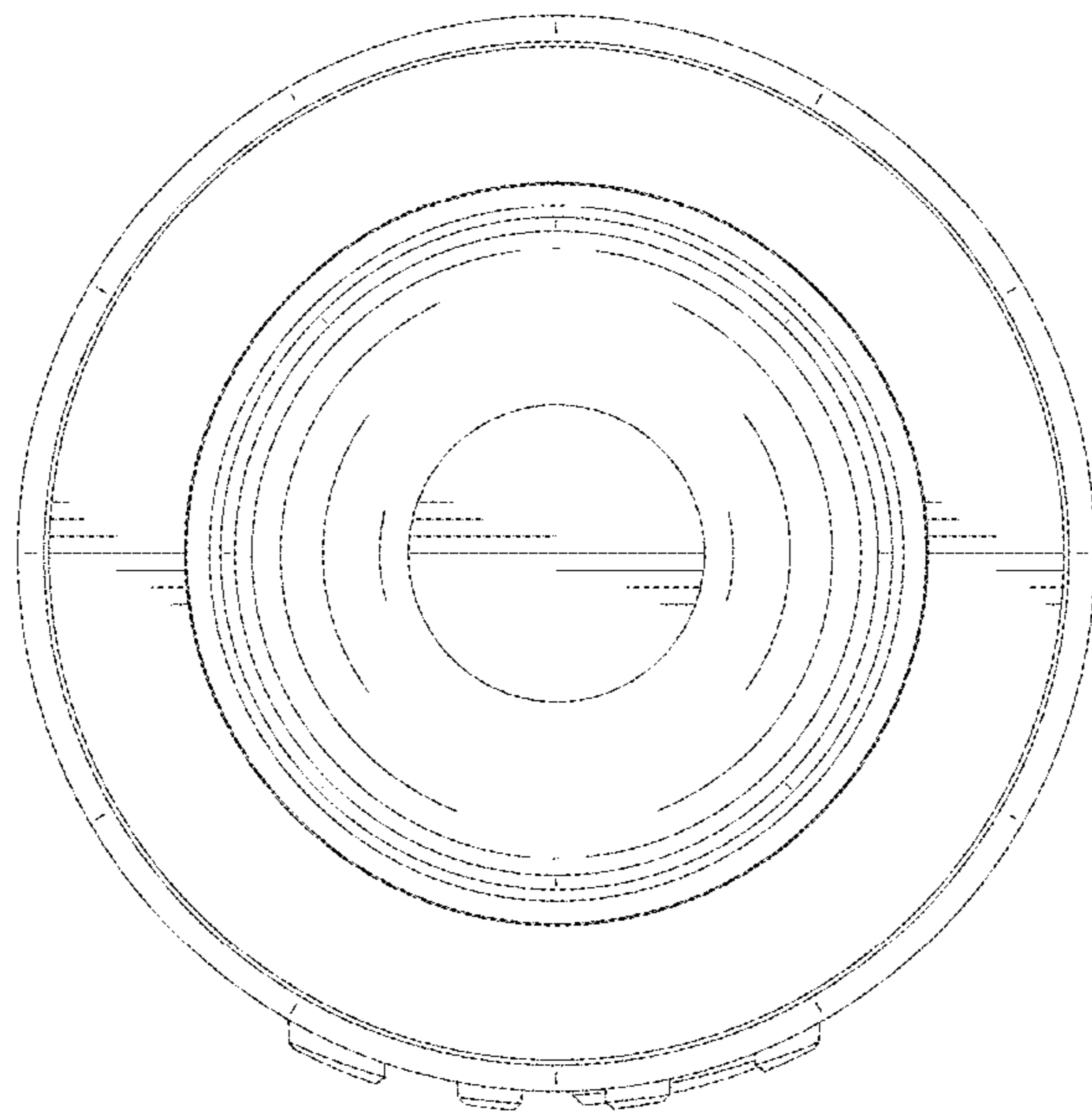


FIG.7

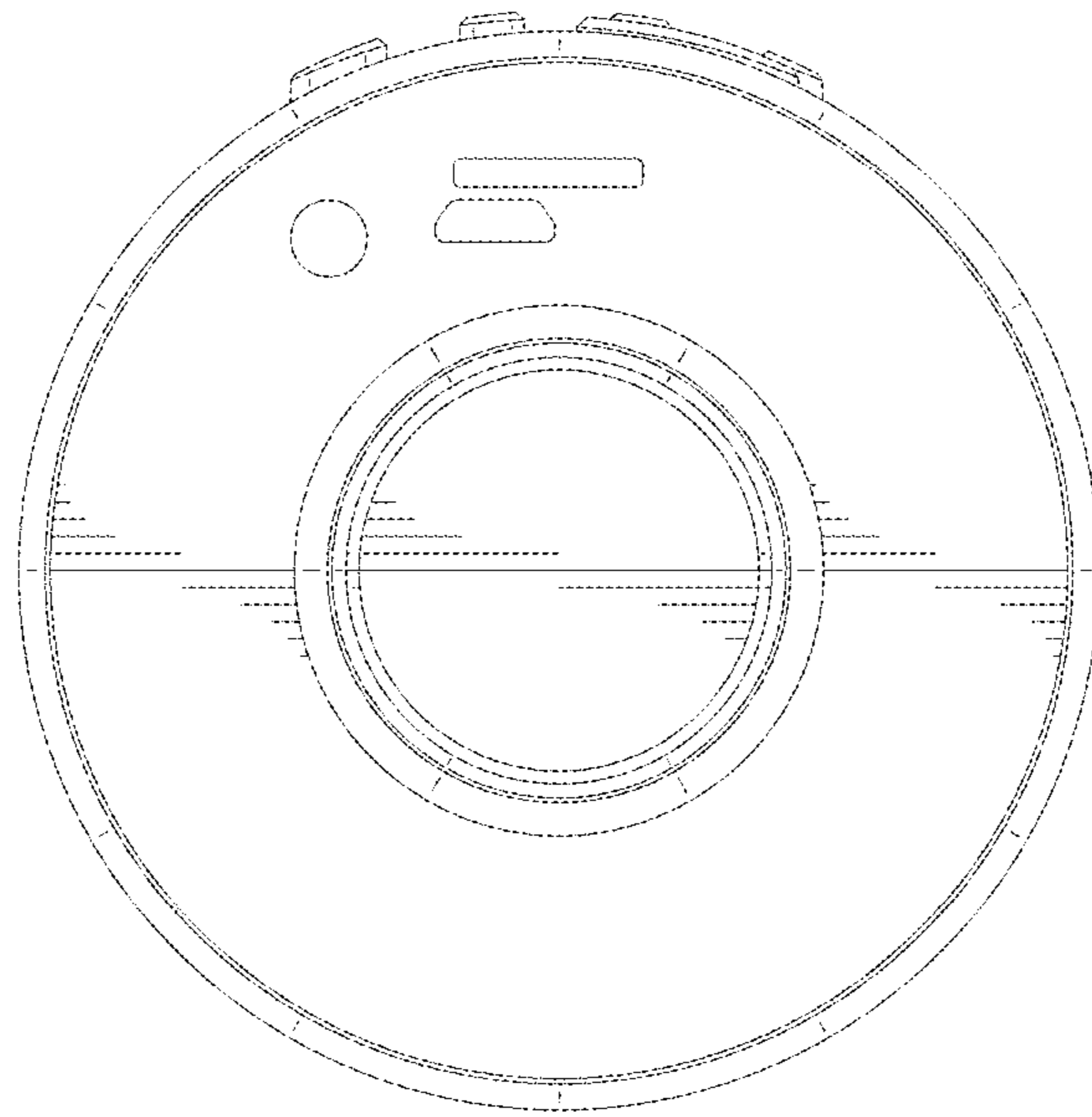


FIG.8