



US00D836613S

(12) **United States Design Patent** (10) **Patent No.:** **US D836,613 S**
Lu (45) **Date of Patent:** **** Dec. 25, 2018**

(54) **MP3 CONTROLLER**

(71) Applicant: **Yan Lu**, Shenzhen (CN)

(72) Inventor: **Yan Lu**, Shenzhen (CN)

(**) Term: **15 Years**

(21) Appl. No.: **29/584,496**

(22) Filed: **Nov. 15, 2016**

(51) **LOC (11) Cl.** **14-03**

(52) **U.S. Cl.**
USPC **D14/218**

(58) **Field of Classification Search**
USPC D14/218, 496, 434, 203.3, 225, 205,
D14/203.7; D13/168

CPC H03J 3/12; G08G 5/0013; H04N 5/44543;
G06F 3/016

See application file for complete search history.

(56) **References Cited**

U.S. PATENT DOCUMENTS

D654,476 S *	2/2012	Weitgasser	D14/218
D661,691 S *	6/2012	Weitgasser	D14/218
D663,721 S *	7/2012	McManigal	D14/218
D691,987 S *	10/2013	Peh	D14/218
D692,867 S *	11/2013	Roka	D14/218
D695,740 S *	12/2013	Yakel	D14/392
D708,589 S *	7/2014	Kosuge	D13/168
D723,009 S *	2/2015	Chang	D14/218
D734,734 S *	7/2015	McManigal	D14/147

D735,718 S *	8/2015	Pang	D14/218
D738,883 S *	9/2015	Pang	D14/218
D760,700 S *	7/2016	Peh	D14/218
D797,059 S *	9/2017	Gong	D13/168
D805,517 S *	12/2017	Lai	D14/399
2016/0078753 A1 *	3/2016	Hatambeiki	G06F 3/0346 340/12.52

* cited by examiner

Primary Examiner — John Windmuller

(74) *Attorney, Agent, or Firm* — Novoclaims Patent Services LLC; Mei Lin Wong

(57) **CLAIM**

The ornamental design for a MP3 controller, as shown and described.

DESCRIPTION

FIG. 1 is a front perspective view of a MP3 controller showing my new design.

FIG. 2 is another front perspective view showing from a different angle thereof.

FIG. 3 is a rear perspective view thereof.

FIG. 4 is another rear perspective view showing from a different angle thereof.

FIG. 5 is a front view thereof.

FIG. 6 is a rear view thereof.

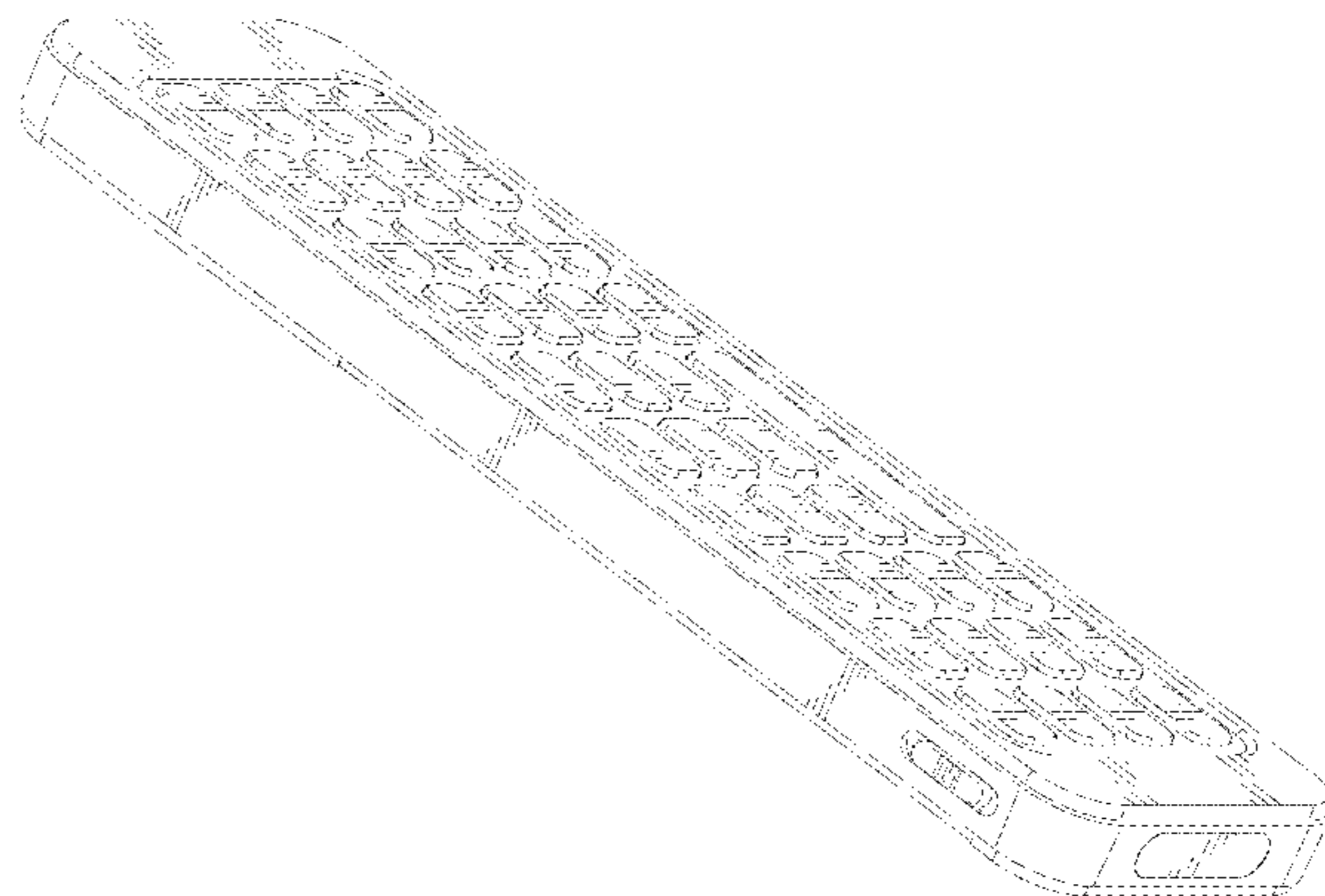
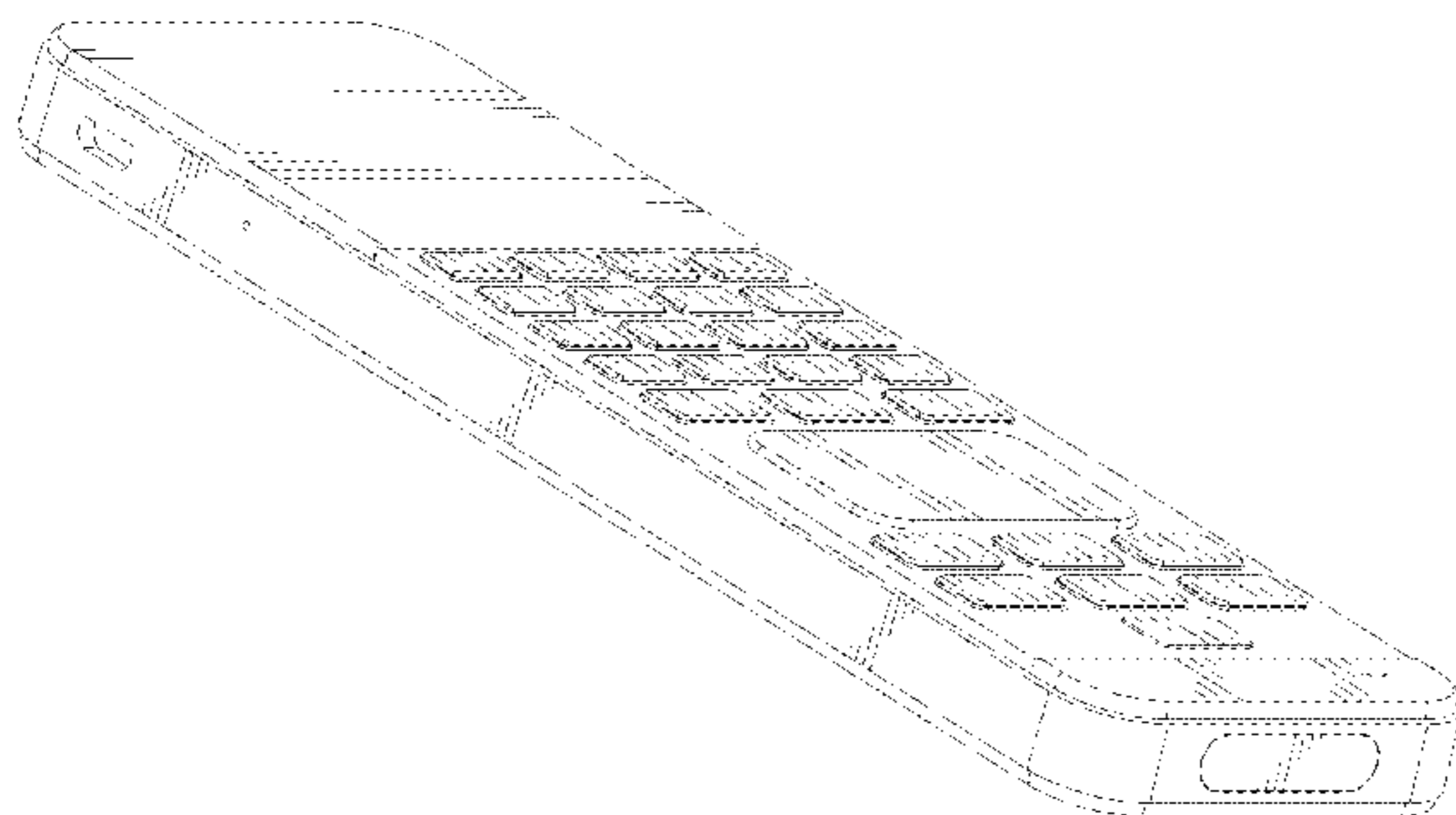
FIG. 7 is a left end view thereof.

FIG. 8 is a right end view thereof.

FIG. 9 is a top view thereof; and,

FIG. 10 is a bottom view thereof.

1 Claim, 10 Drawing Sheets



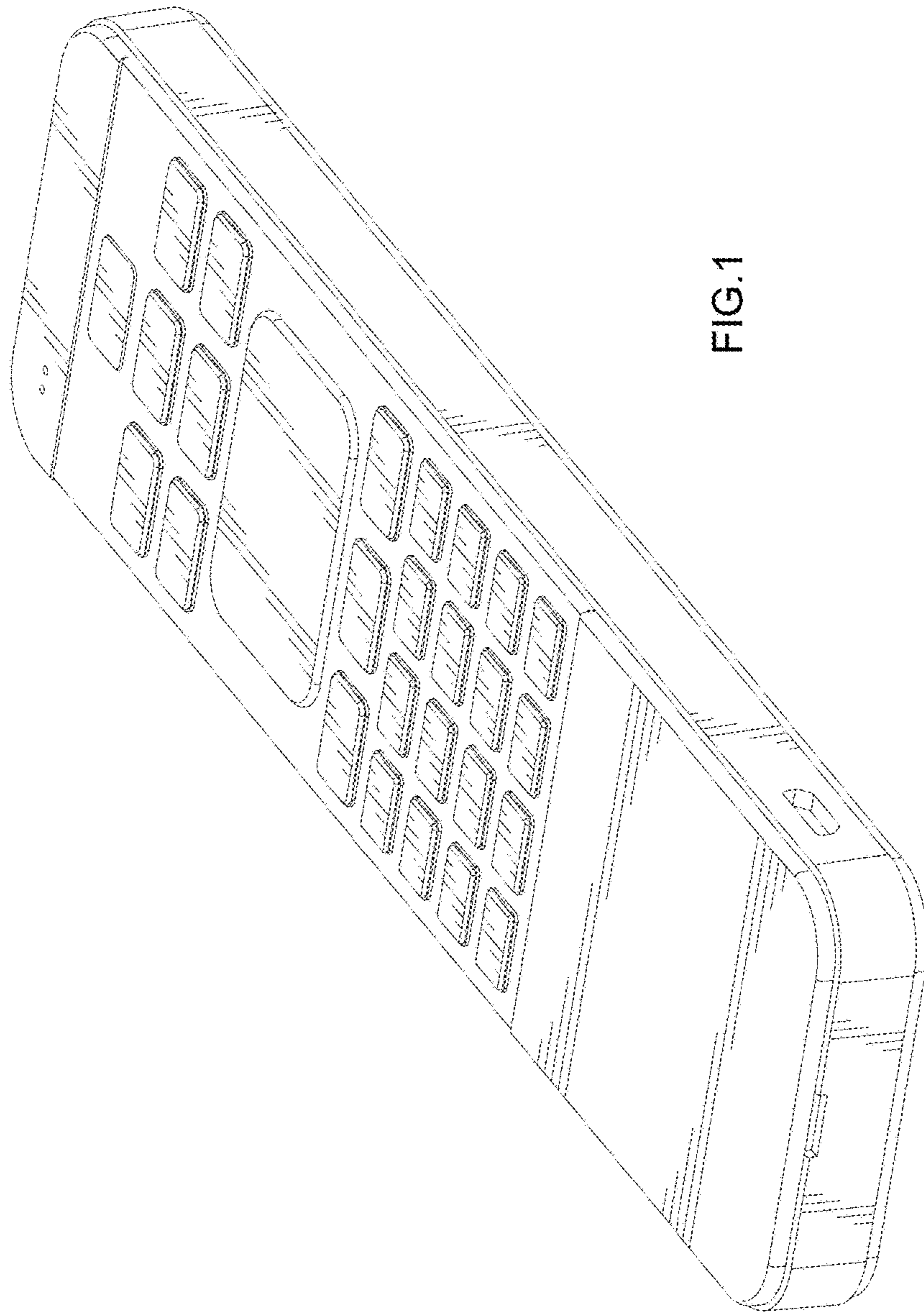


FIG.1

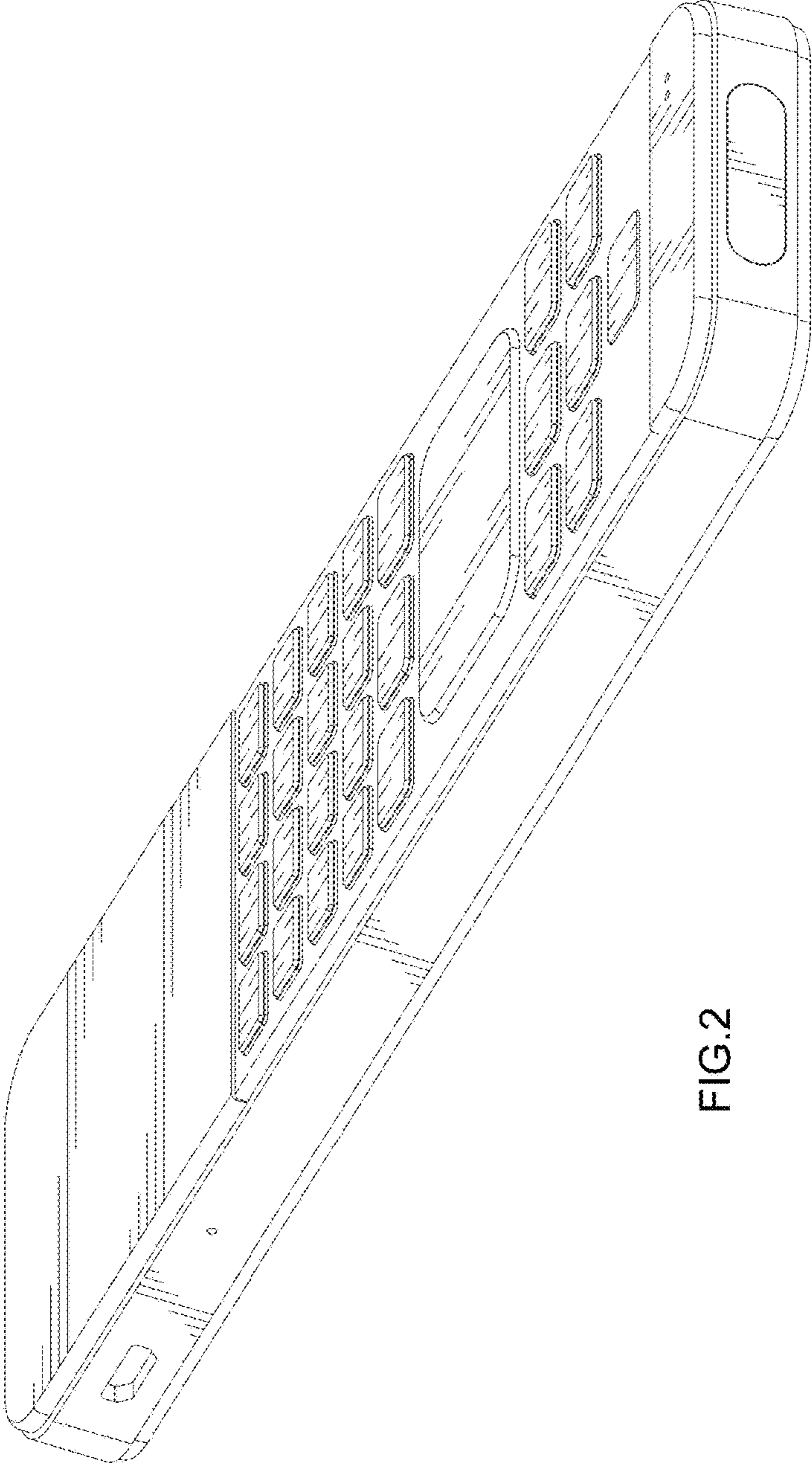


FIG.2

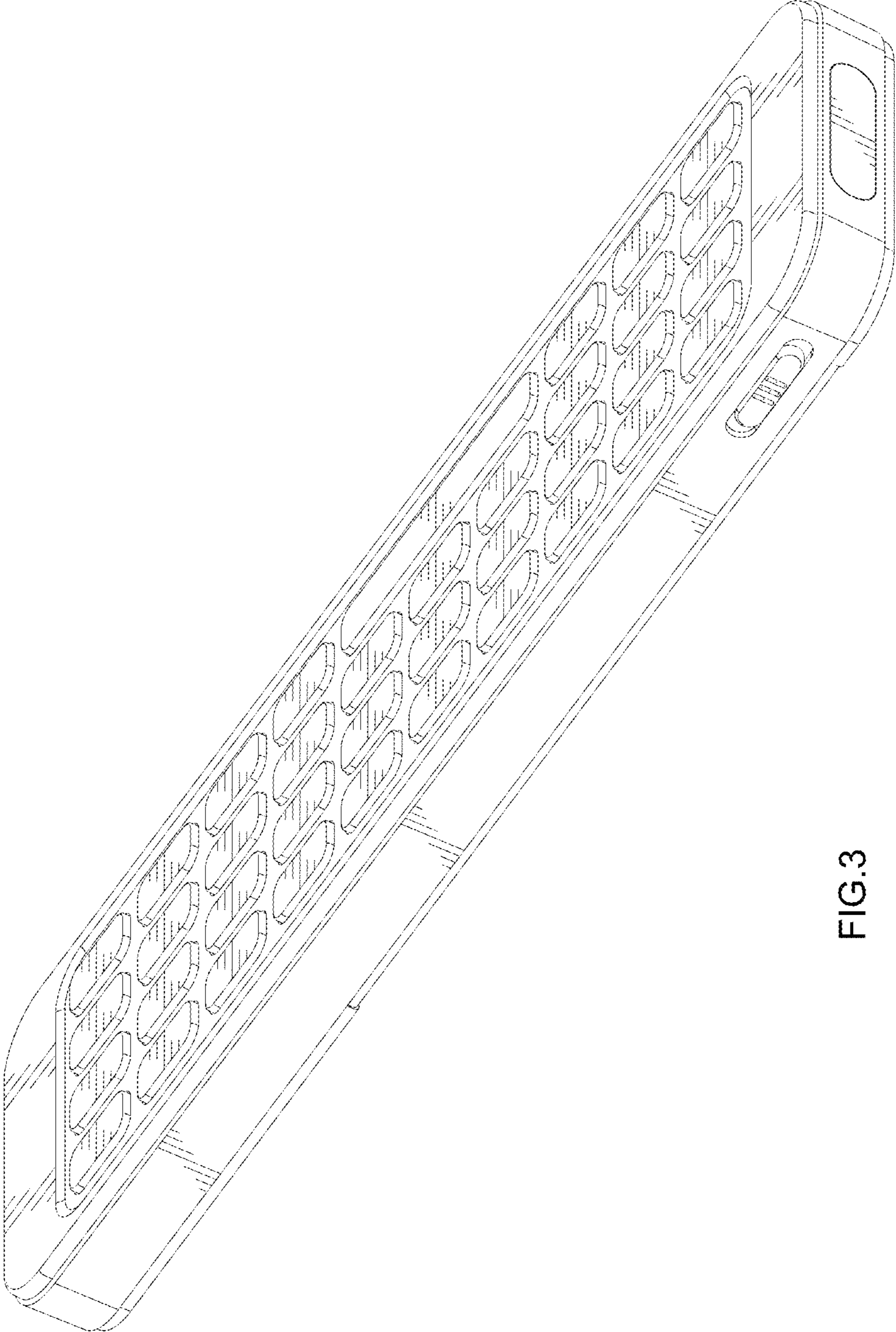


FIG.3

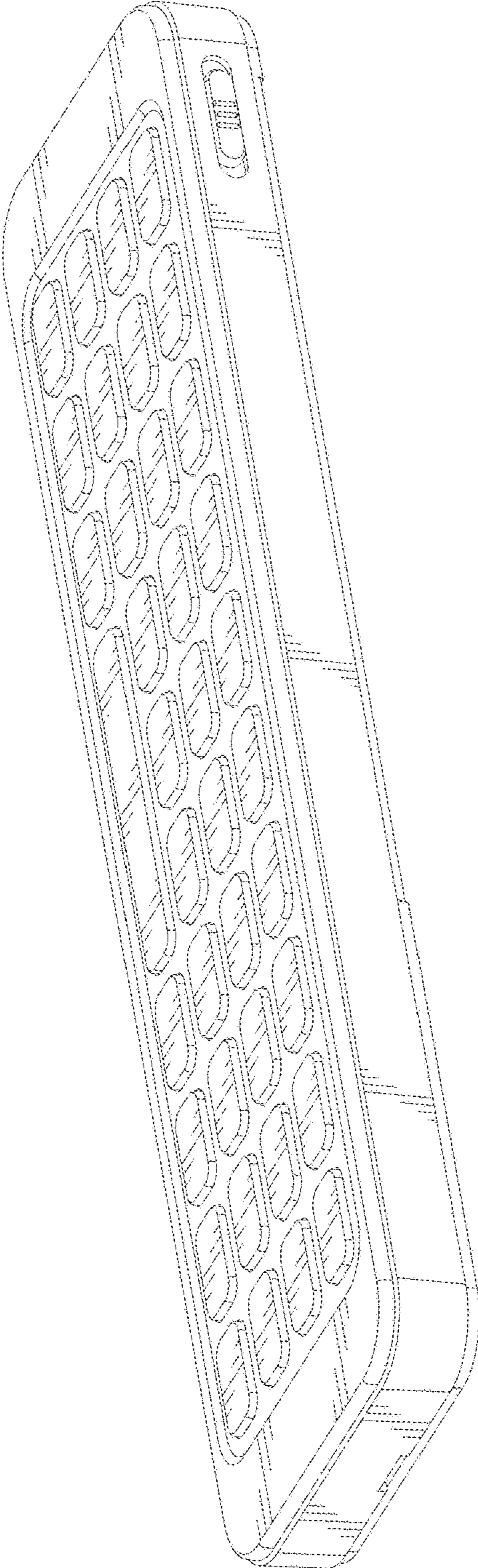


FIG.4

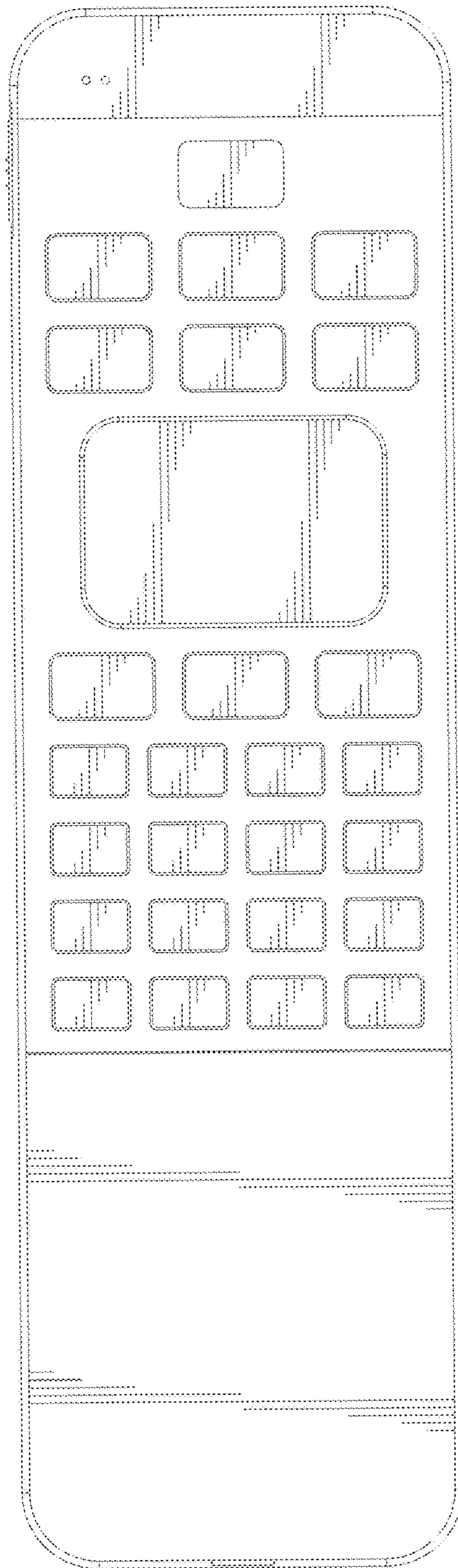


FIG. 5

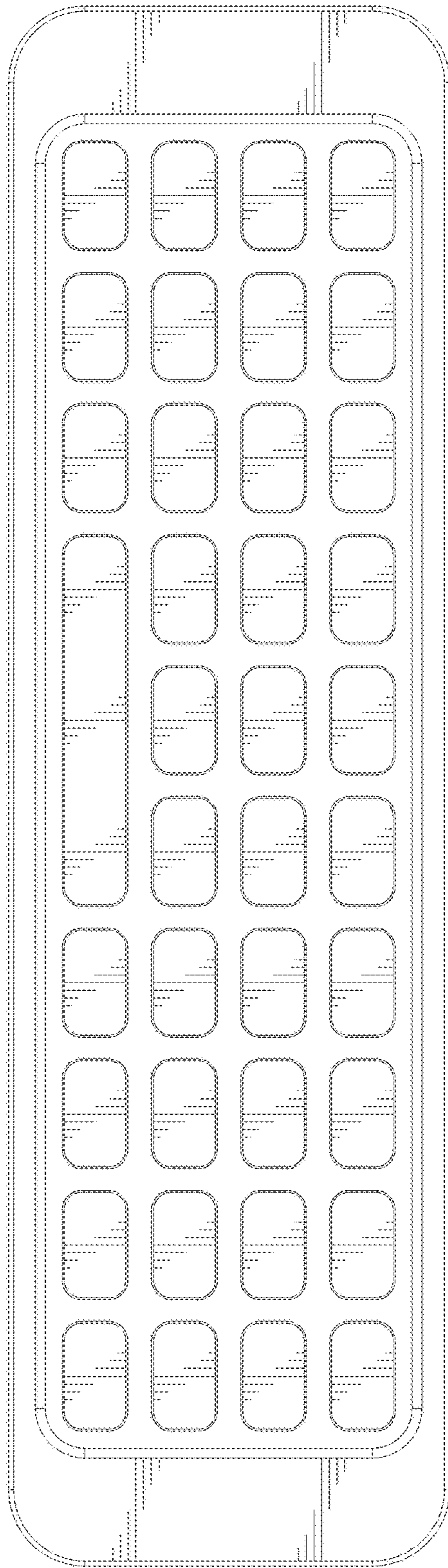


FIG.6

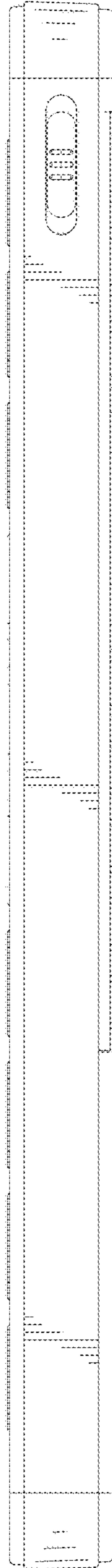


FIG.7

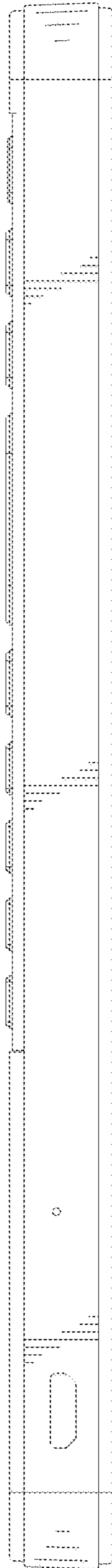


FIG.8

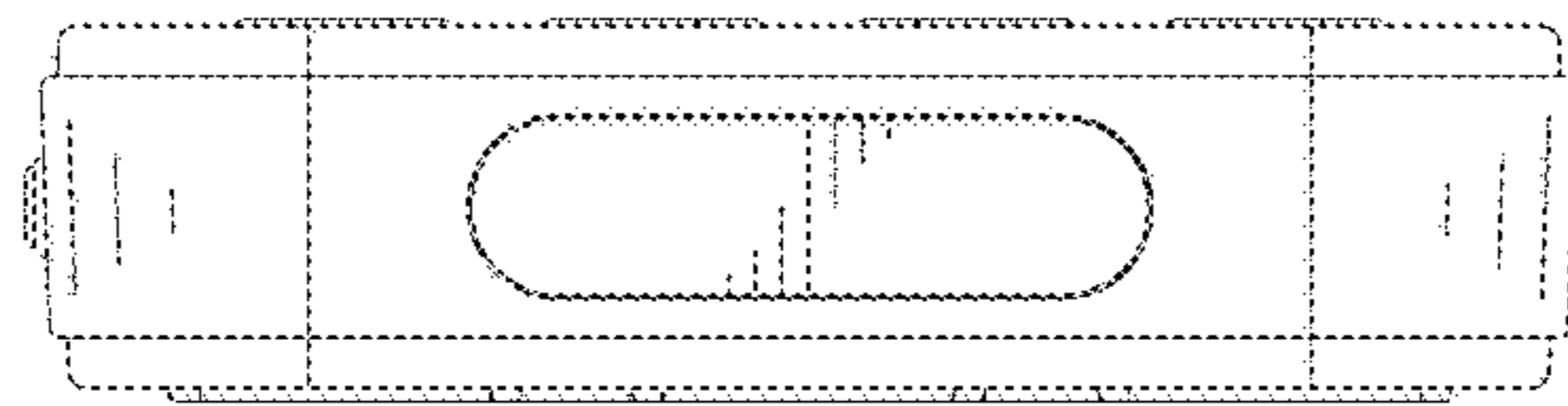


FIG.9

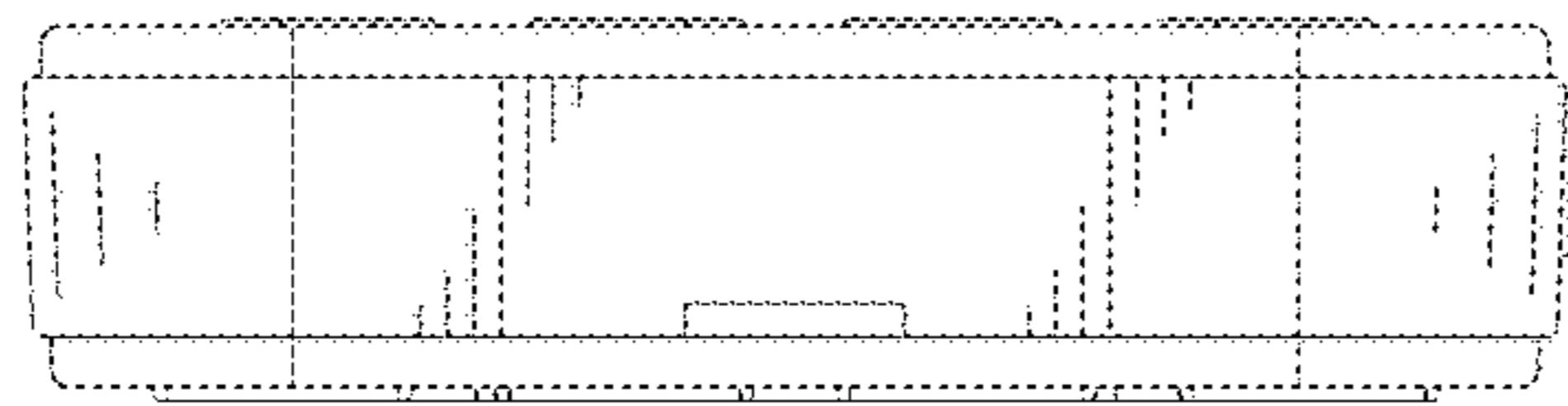


FIG. 10