



US00D836607S

(12) **United States Design Patent** (10) **Patent No.:** **US D836,607 S**  
**Kim et al.** (45) **Date of Patent:** **\*\* \*Dec. 25, 2018**

(54) **AUDIO VISUAL BOX FOR TV RECEIVER**

(56) **References Cited**

(71) Applicant: **LG ELECTRONICS INC.**, Seoul (KR)

U.S. PATENT DOCUMENTS

(72) Inventors: **Yooseok Kim**, Seoul (KR); **Sunha Park**, Seoul (KR); **Younsoo Kim**, Seoul (KR); **Byungmu Huh**, Seoul (KR)

D483,349 S *	12/2003	Murakami	.....	D14/215
D578,997 S *	10/2008	Takuma	.....	D14/172
D594,848 S *	6/2009	Imawaki	.....	D14/172
D672,749 S *	12/2012	Onoue	.....	D14/214
D689,460 S *	9/2013	Chen	.....	D14/172
D714,763 S *	10/2014	Woo	.....	D14/209.1
D721,352 S *	1/2015	Kusano	.....	D14/204
D734,293 S *	7/2015	Kim	.....	D14/204
D754,629 S *	4/2016	Kim	.....	D14/204
D759,629 S *	6/2016	Kusano	.....	D14/214
D782,444 S *	3/2017	Koo	.....	D14/214
D788,740 S *	6/2017	DeVesto	.....	D14/172
D800,690 S *	10/2017	Groves, Jr.	.....	D14/204

(73) Assignee: **LG ELECTRONICS INC.**, Seoul (KR)

(\*) Notice: This patent is subject to a terminal disclaimer.

\* cited by examiner

(\*\*) Term: **15 Years**

*Primary Examiner* — Michael A. Pratt

(21) Appl. No.: **35/503,140**

(74) *Attorney, Agent, or Firm* — Birch, Stewart, Kolasch & Birch, LLP

(22) Filed: **Dec. 12, 2016**

(80) **Hague Agreement Data**

Int. Filing Date: **Dec. 12, 2016**  
Int. Reg. No.: **DM/093948**  
Int. Reg. Date: **Dec. 12, 2016**  
Int. Reg. Pub. Date: **Jun. 16, 2017**

(57) **CLAIM**

The ornamental design for an audio visual box for TV receiver, as shown and described.

(30) **Foreign Application Priority Data**

Jun. 14, 2016 (KR) ..... 30-2016-0028735

(51) **LOC (11) Cl.** ..... **14-01**

(52) **U.S. Cl.**  
USPC ..... **D14/216**

**DESCRIPTION**

1. Audio visual box for TV receiver

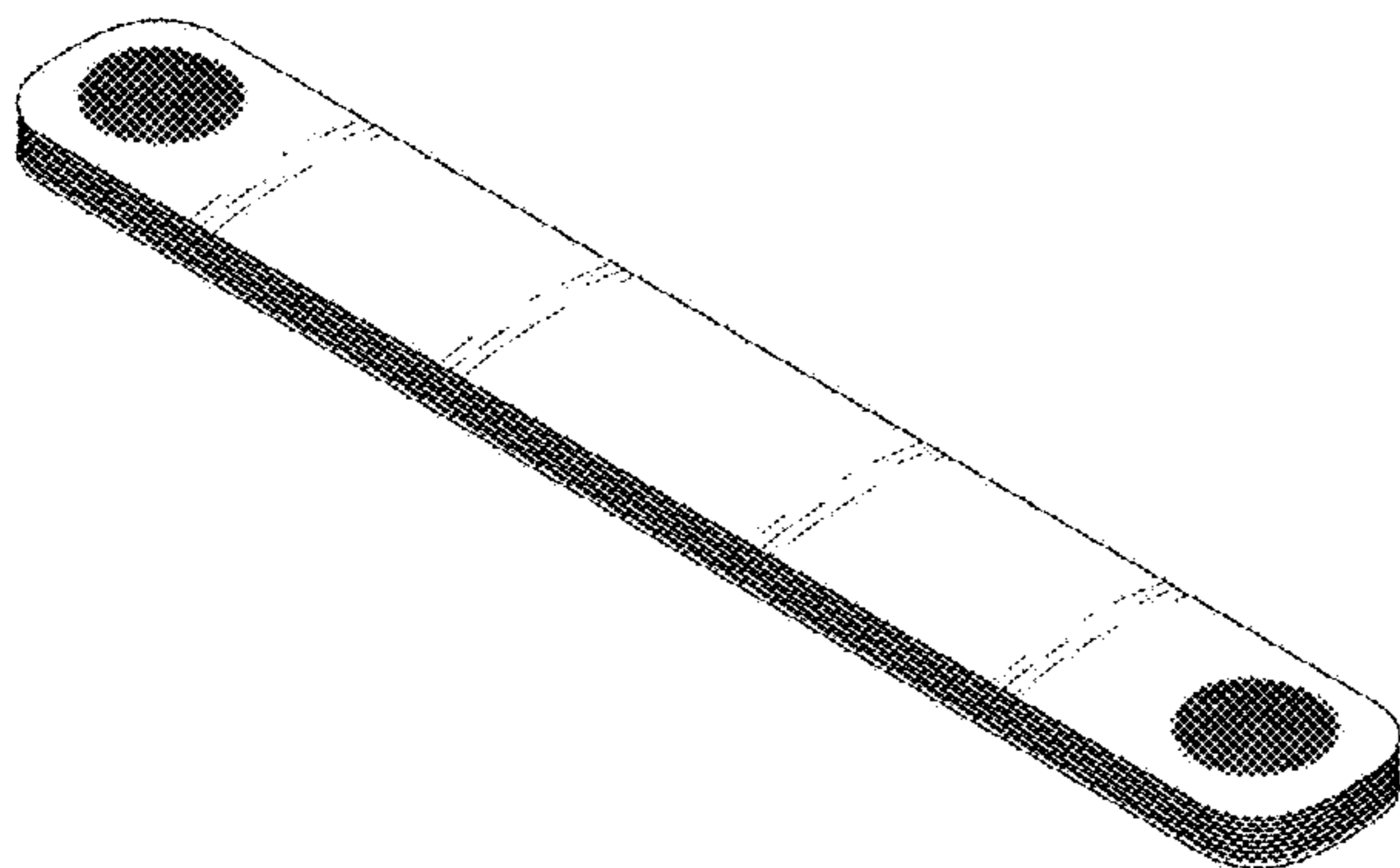
- 1.1 : Perspective
- 1.2 : Front
- 1.3 : Back
- 1.4 : Left
- 1.5 : Right
- 1.6 : Top
- 1.7 : Bottom
- 1.8 : Enlarged

The broken lines shown in Figures 1.3 and 1.6 are for the purpose of illustrating portions of the audio visual box for a TV receiver that form no part of the claimed design.

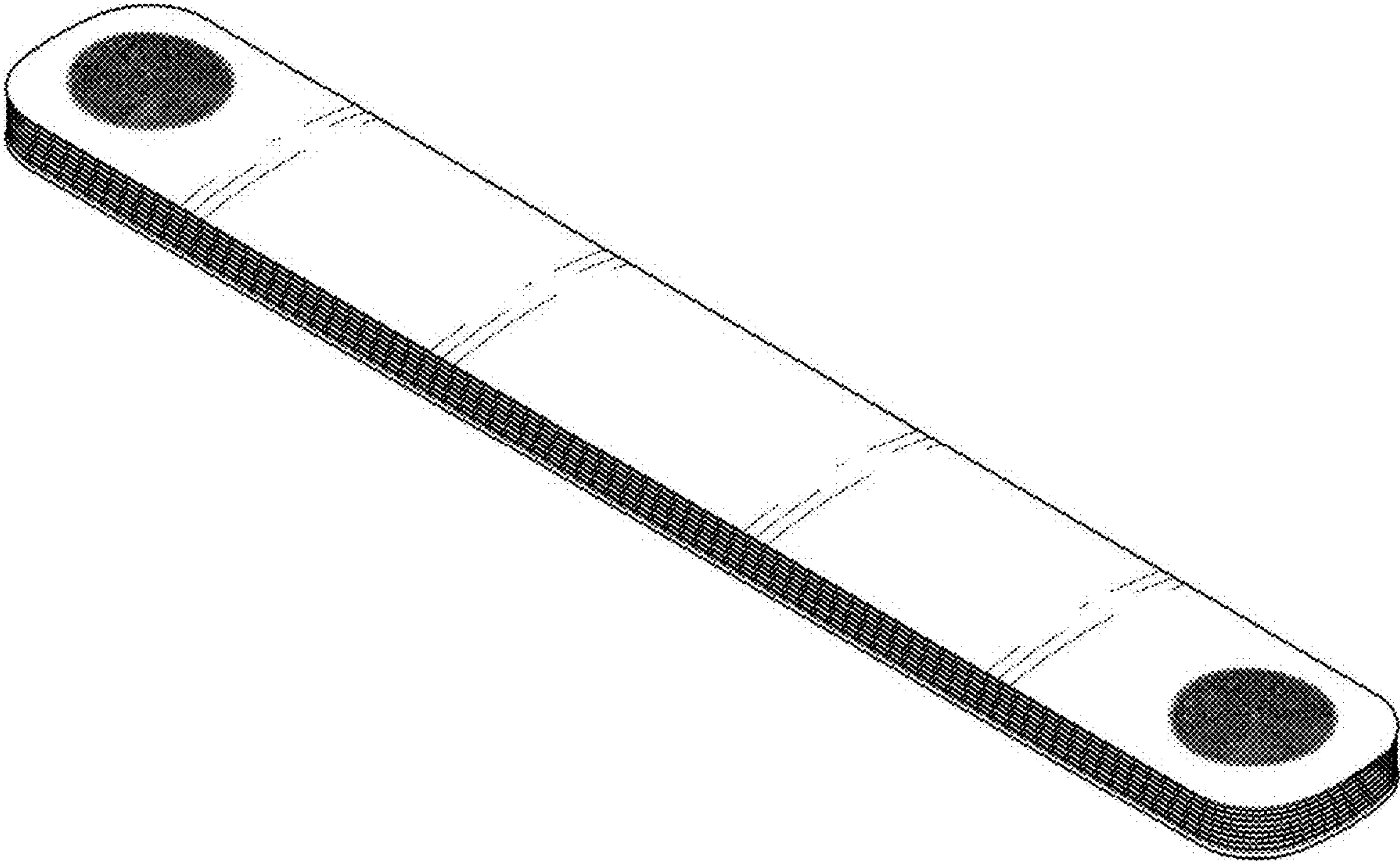
(58) **Field of Classification Search**

USPC ..... D14/125, 172, 194, 357–358, 496, 188,  
D14/204, 221, 242, 432  
CPC ..... H05K 5/02; H05K 5/03; G06F 1/16  
See application file for complete search history.

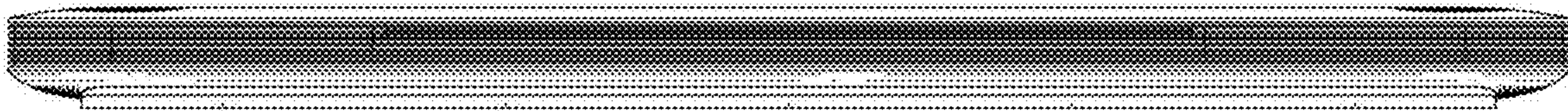
**1 Claim, 8 Drawing Sheets**



1.1



1.2



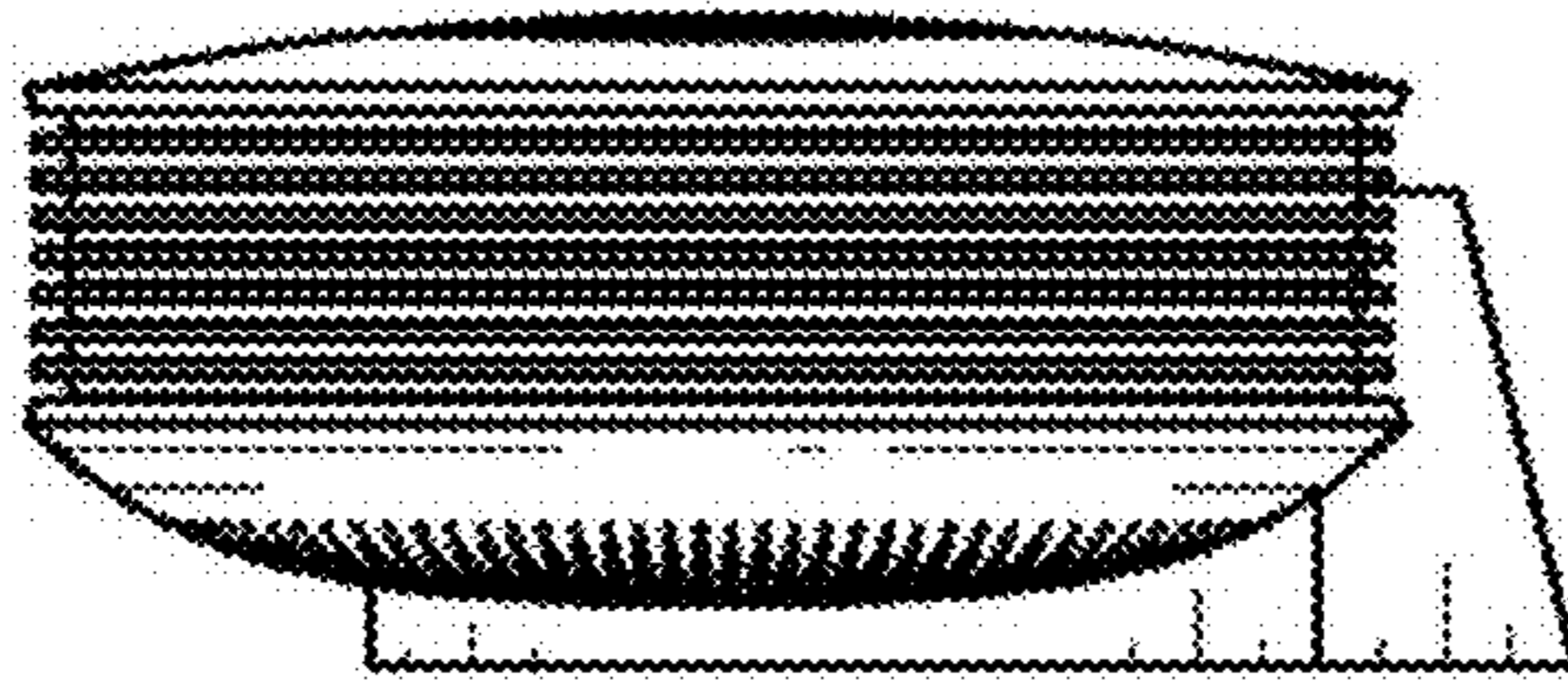
1.3



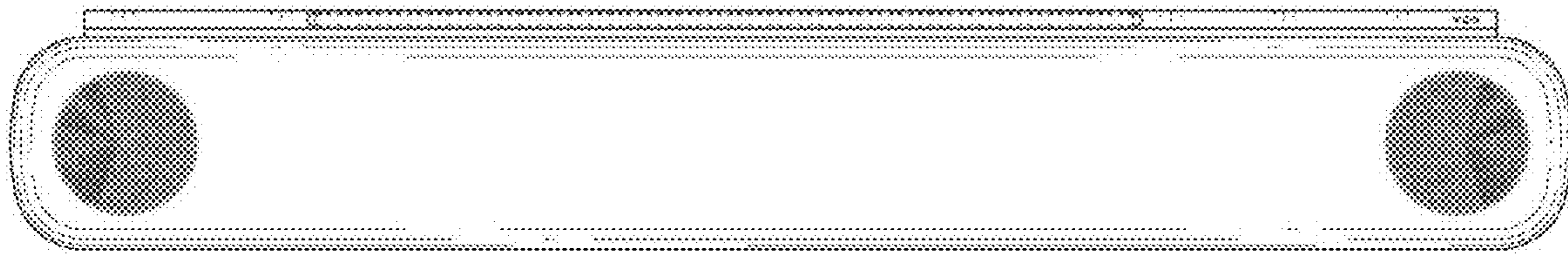
1.4



1.5

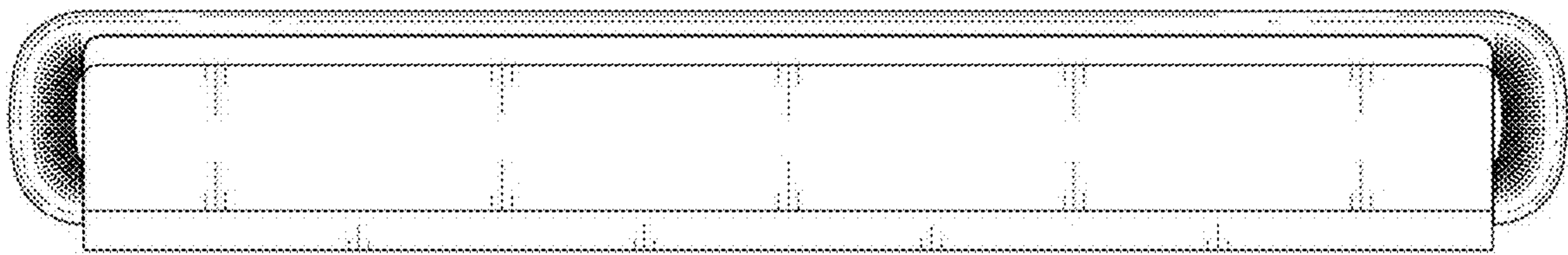


1.6





1.7





1.8

