



US00D836606S

(12) **United States Design Patent**
Kangasmaa et al.

(10) **Patent No.:** **US D836,606 S**
(45) **Date of Patent:** **** Dec. 25, 2018**

(54) **SPEAKER**

(71) Applicant: **Arcelik Anonim Sirketi**, Istanbul (TR)

(72) Inventors: **Heikki Kangasmaa**, Tuzla Istanbul (TR); **Pekka Majanen**, Tuzla Istanbul (TR); **Meri Laine**, Tuzla Istanbul (TR); **Eeva Raitio**, Tuzla Istanbul (TR); **Annina Verkkomaki**, Tuzla Istanbul (TR)

(73) Assignee: **Arcelik Anonim Sirketi**, Istanbul (TR)

(**) Term: **15 Years**

(21) Appl. No.: **29/597,732**

(22) Filed: **Mar. 20, 2017**

(30) **Foreign Application Priority Data**

Nov. 17, 2016 (EM) 003467588

(51) **LOC (11) Cl.** **14-01**

(52) **U.S. Cl.**
USPC **D14/216**

(58) **Field of Classification Search**

USPC D14/167, 168, 170–172, 188, 194–196, D14/204, 207, 209.1, 210–216, 219, 221, D14/222, 496; 181/198, 199; 381/300, 381/303, 332, 334, 336, 345
CPC H04R 1/02; H04R 1/021; H04R 1/025; H04R 1/026; H04R 1/028; H04R 1/34; H04R 1/40; H04R 1/323; H04R 1/403; H04R 1/345; H04R 1/2803; H04R 1/2834; H04R 5/02; H04R 9/06; H04R 2201/021; H04R 2400/00; H04R 2400/01; H04R 2400/03; B60R 11/0217; G06F 1/1688; G10K 9/22; H03F 1/327; H04N 5/642

See application file for complete search history.

(56) **References Cited**

U.S. PATENT DOCUMENTS

6,666,296	B1 *	12/2003	Mathis	H04R 5/02
				181/199
D725,076	S *	3/2015	Wong	D14/216
D725,077	S *	3/2015	Wong	D14/216
D766,213	S *	9/2016	Hinokio	D14/216
D780,728	S *	3/2017	Shin	D14/242
D796,725	S *	9/2017	Recker	D26/104
D797,073	S *	9/2017	Yoon	D14/172
D803,190	S *	11/2017	Lee	D14/216
D803,810	S *	11/2017	Lee	D14/216
D810,049	S *	2/2018	Lee	D14/216
D810,136	S *	2/2018	Langhammer	D14/496
D826,276	S *	8/2018	Langhammer	D14/496
2018/0098439	A1 *	4/2018	Tak	H04R 1/02

* cited by examiner

Primary Examiner — R. Johnson

(74) *Attorney, Agent, or Firm* — Fox Rothschild LLP

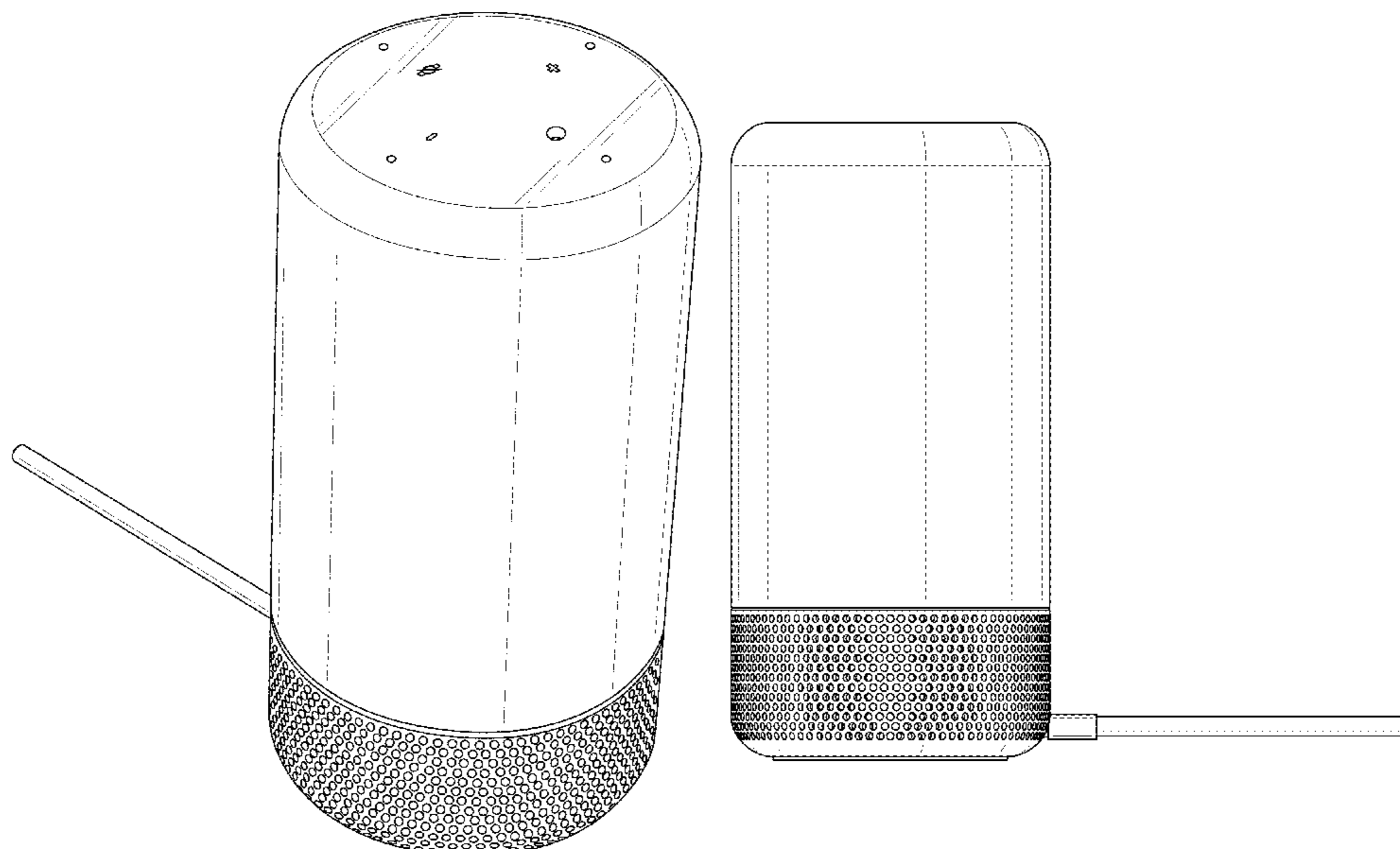
(57) **CLAIM**

The ornamental design for a speaker, as shown and described.

DESCRIPTION

FIG. 1 is a perspective view of a speaker according to a first embodiment of the present invention;
FIG. 2 is a front view thereof;
FIG. 3 is a bottom plan view thereof;
FIG. 4 is a top plan view thereof;
FIG. 5 is a perspective view of a speaker according to a second embodiment of the present invention;
FIG. 6 is a front view thereof;
FIG. 7 is a rear view thereof;
FIG. 8 is a left side view thereof;
FIG. 9 is a right side view thereof;
FIG. 10 is a bottom plan view thereof; and,
FIG. 11 is a top plan view thereof.

1 Claim, 11 Drawing Sheets



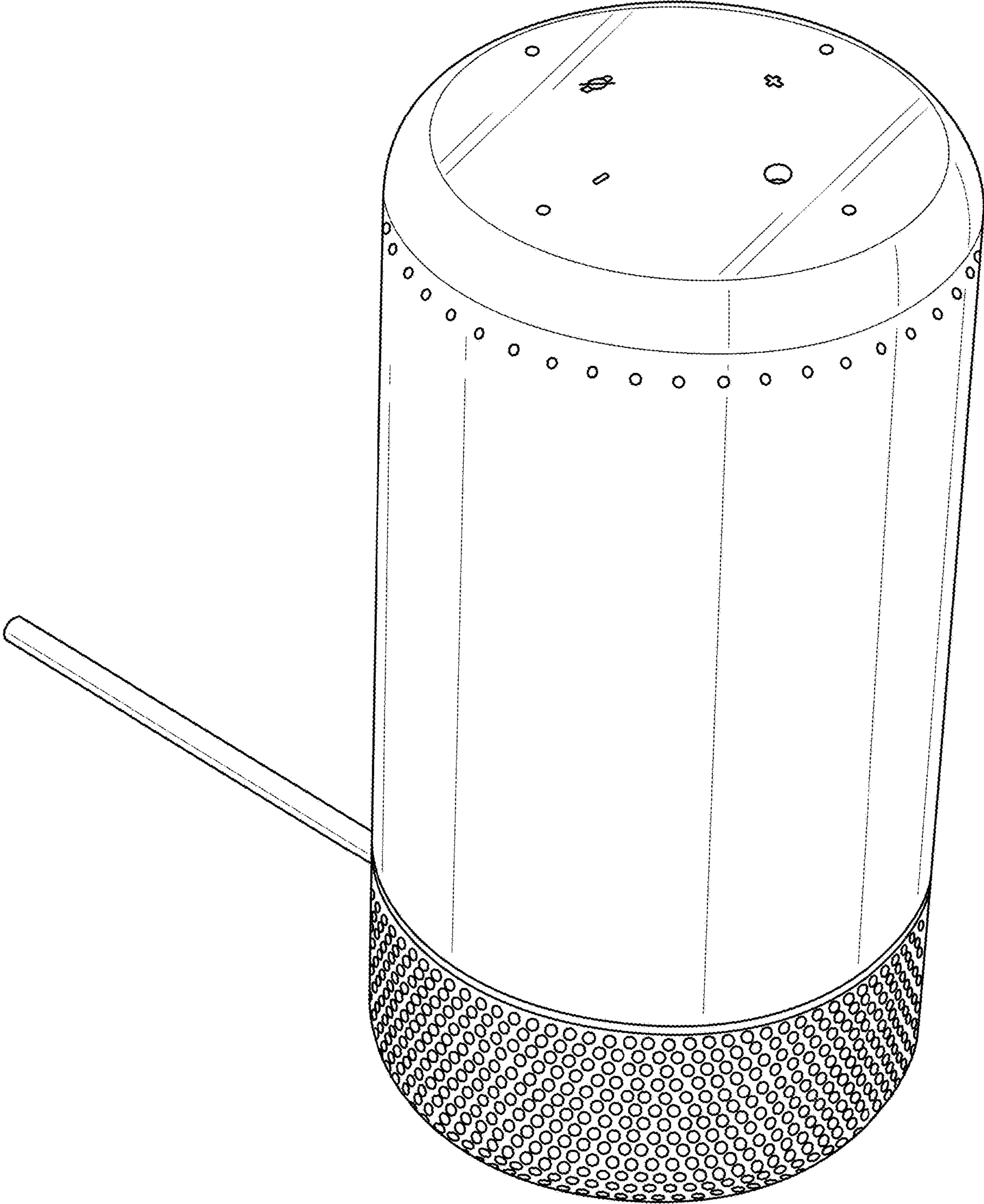


FIG. 1

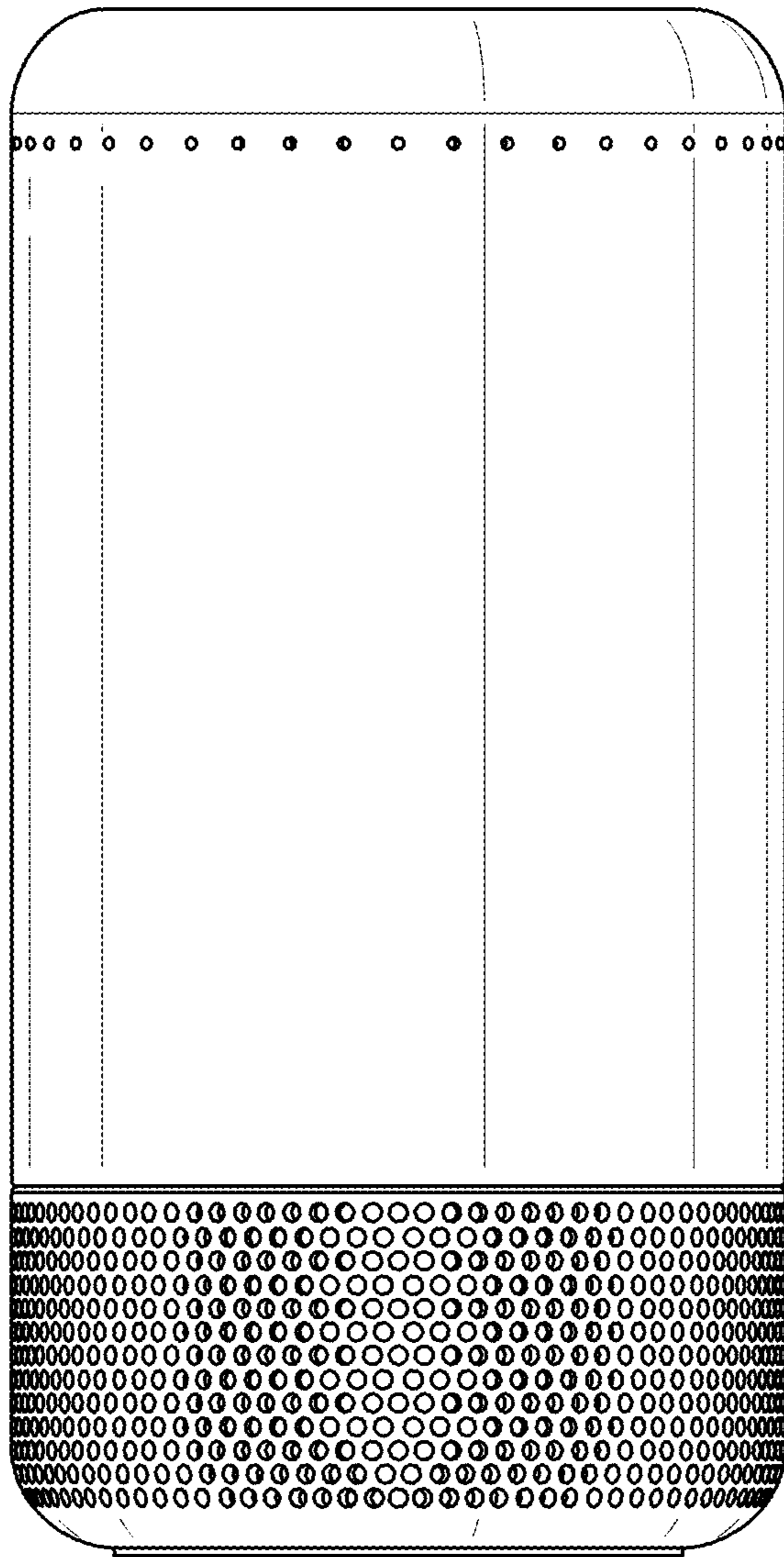


FIG. 2

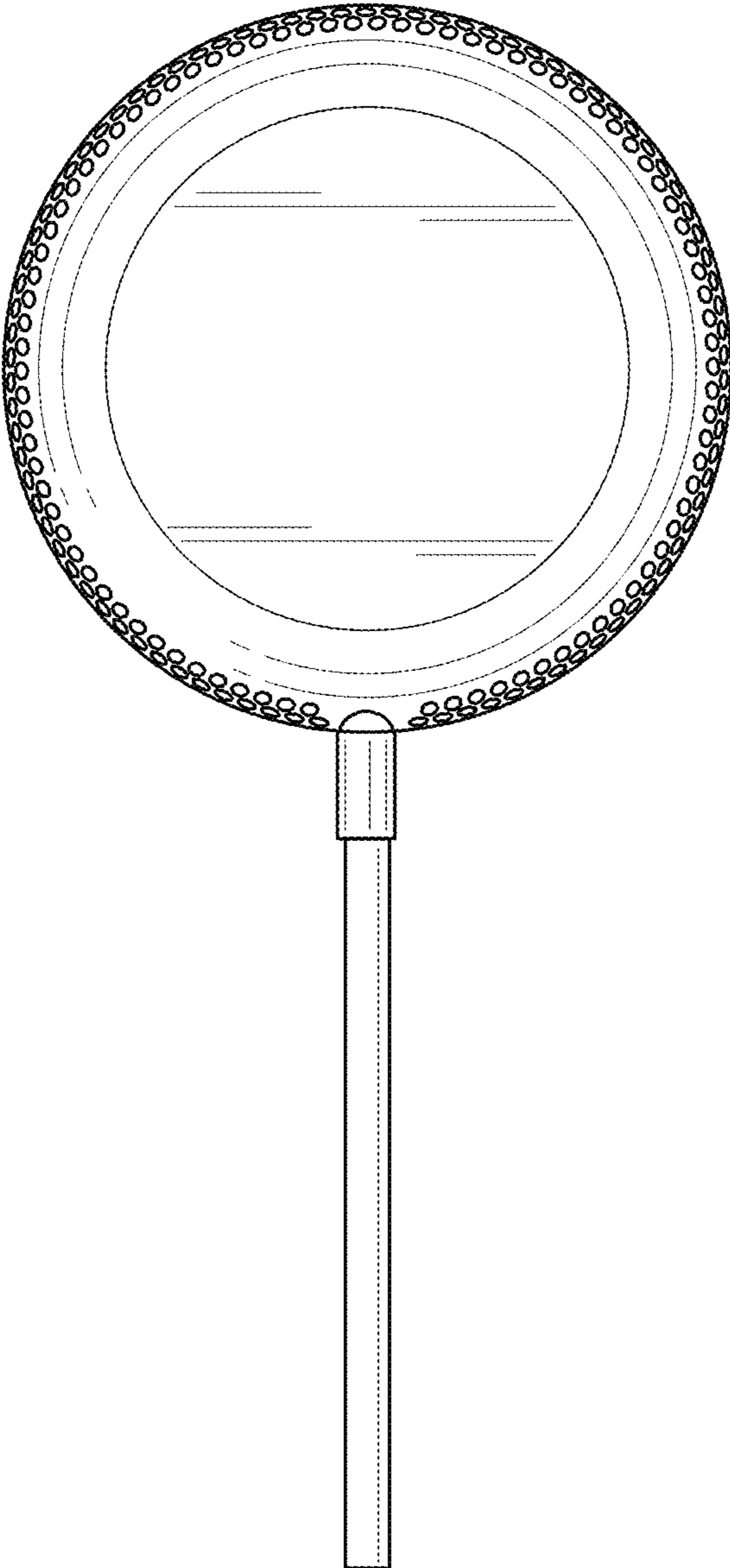


FIG. 3

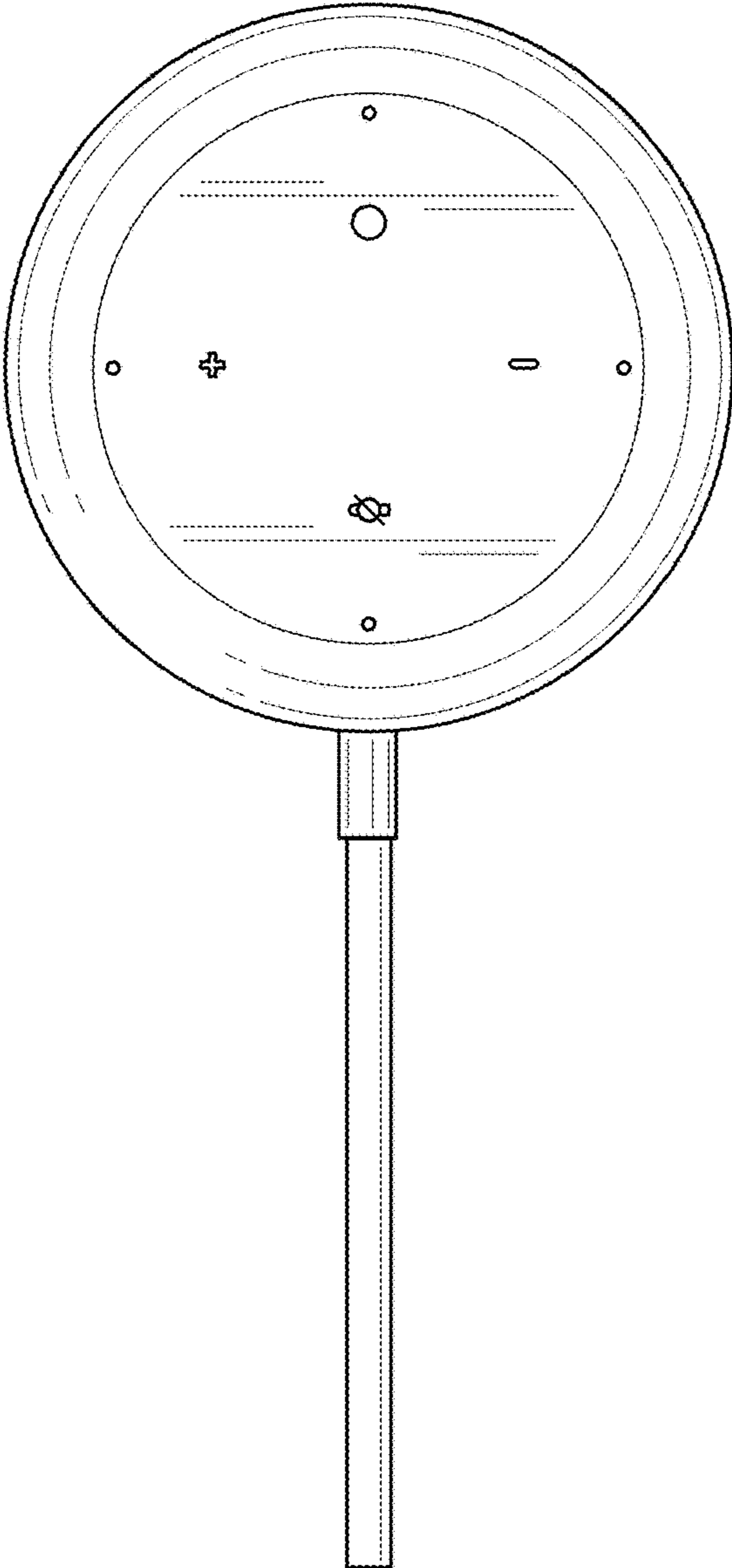


FIG. 4

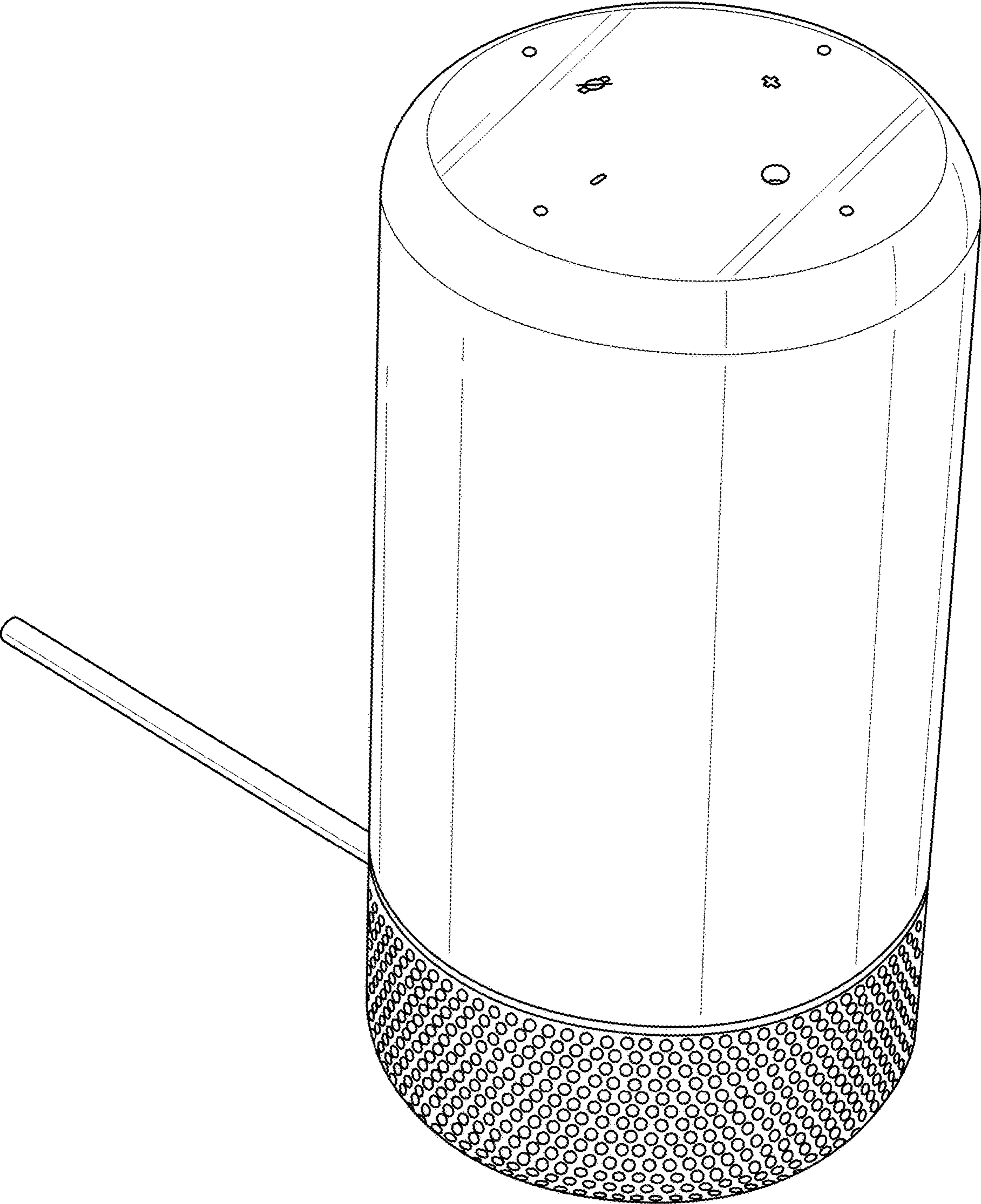


FIG. 5

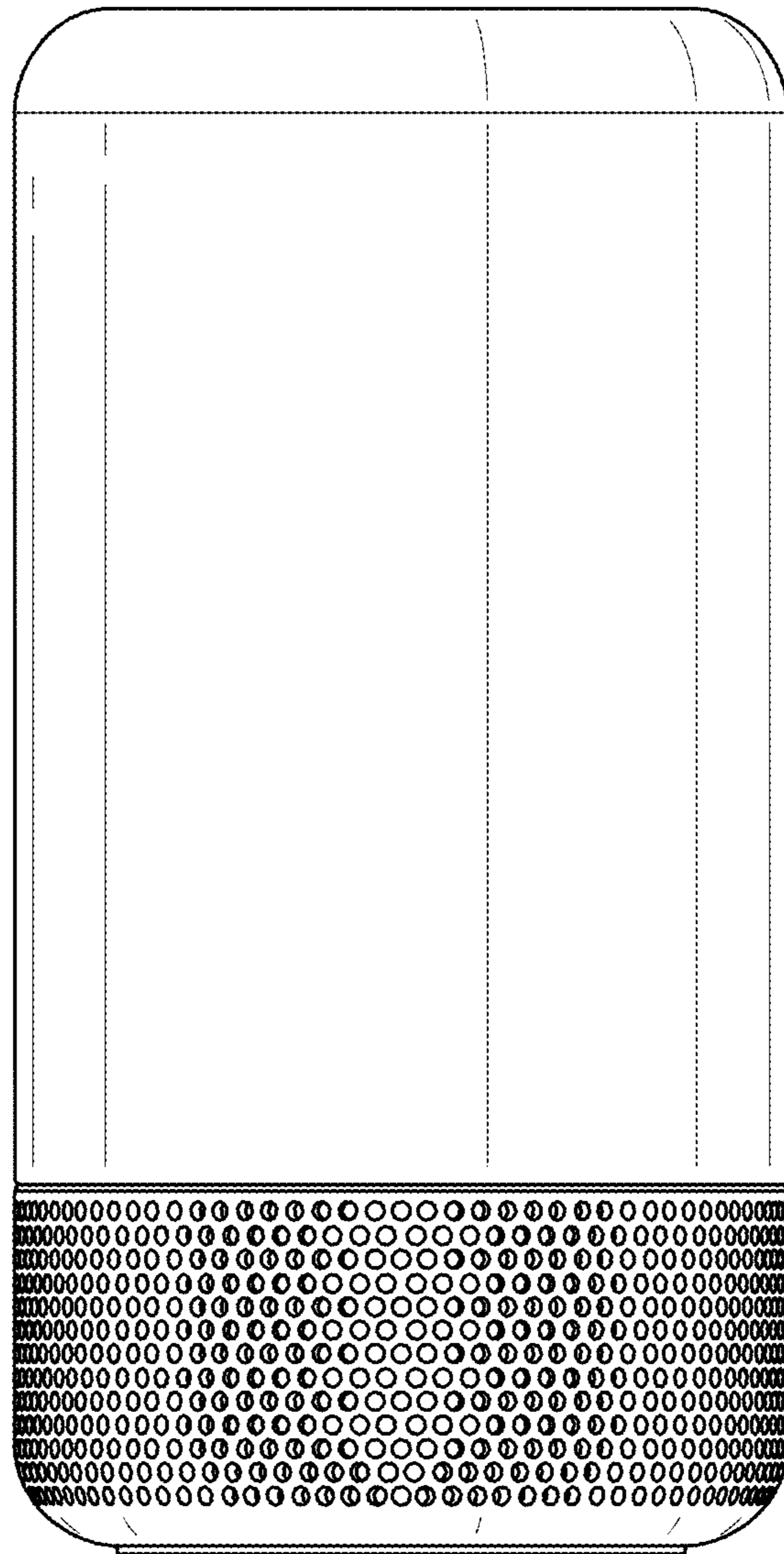


FIG. 6

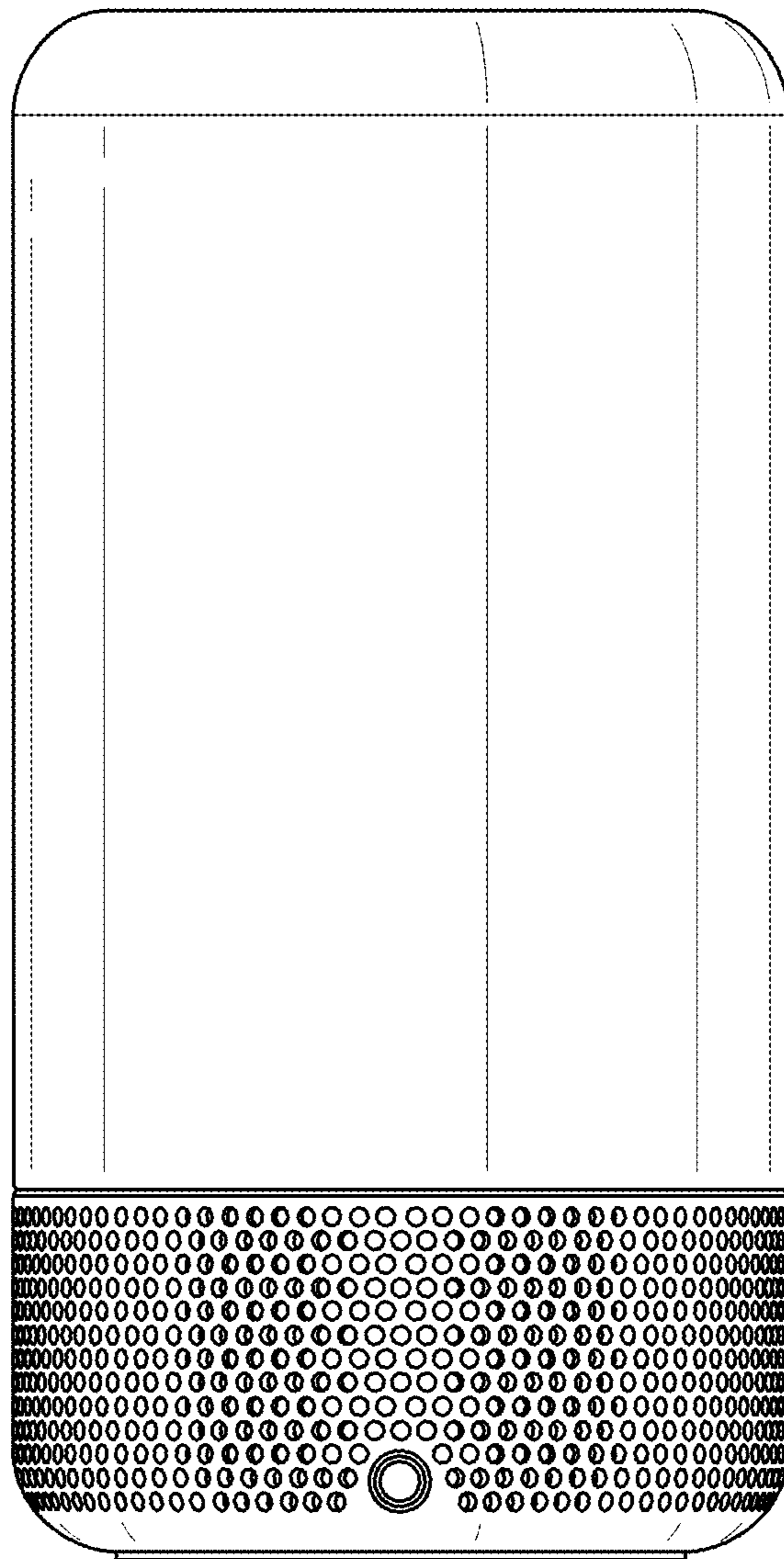


FIG. 7

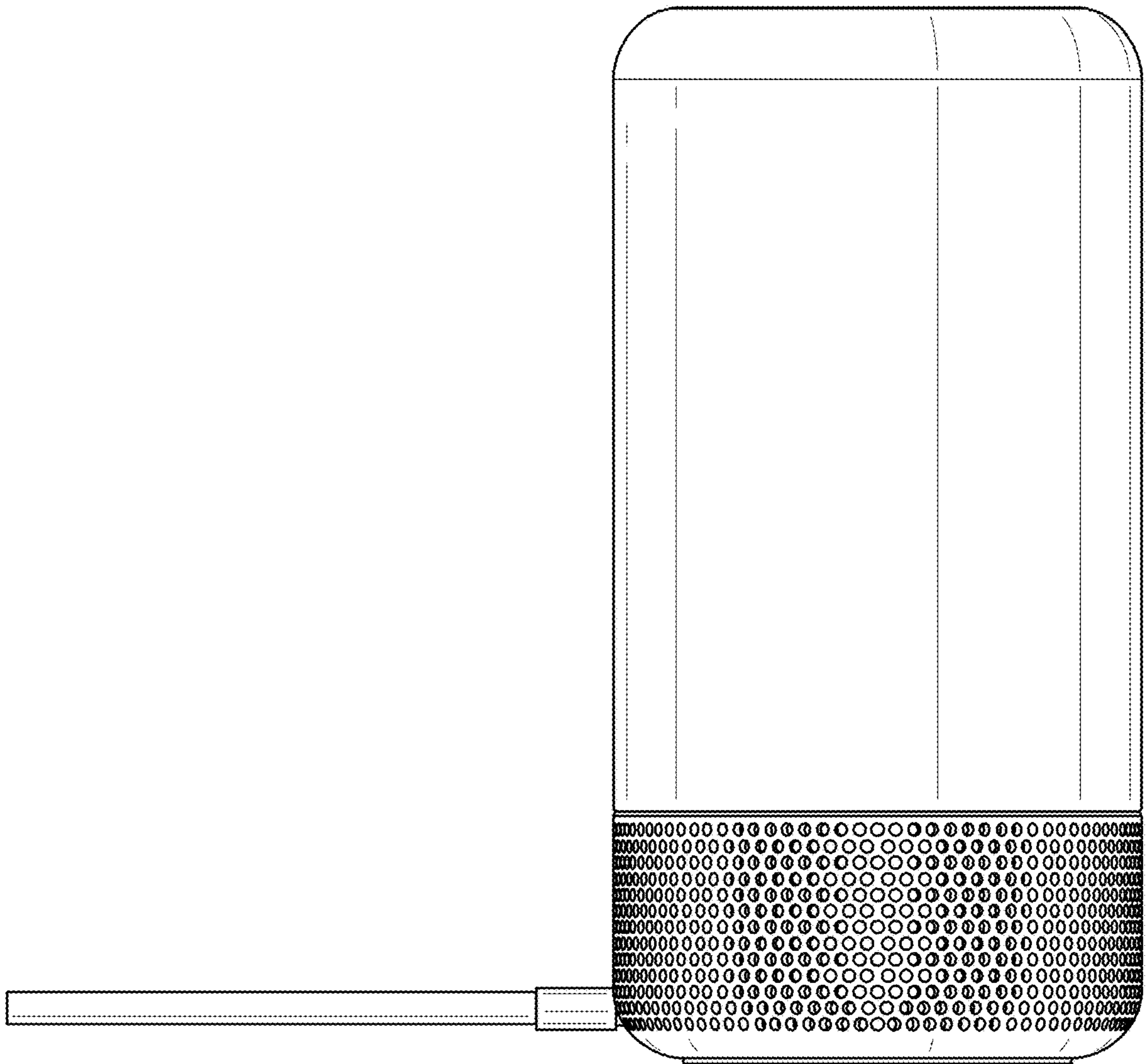


FIG. 8

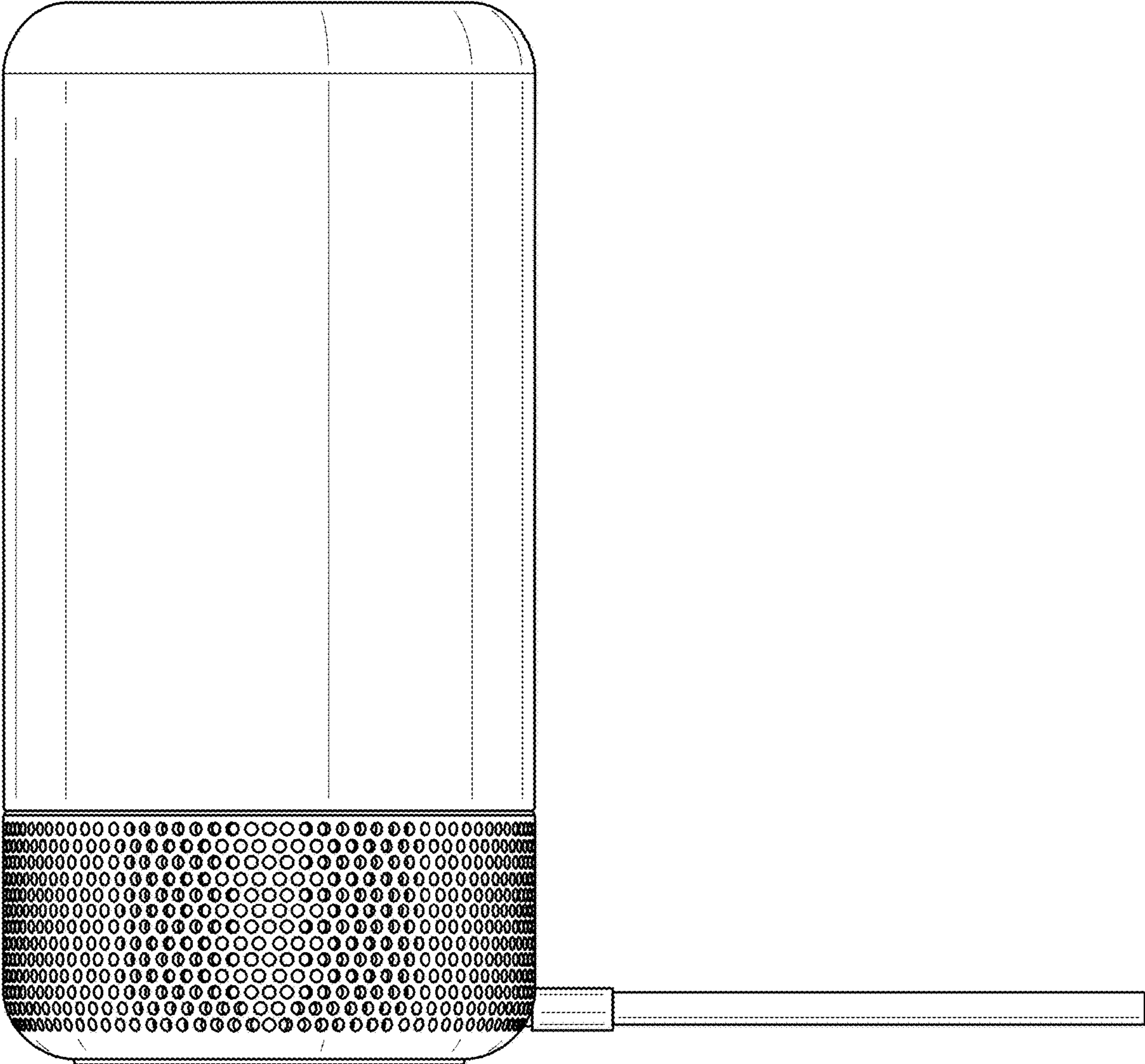


FIG. 9

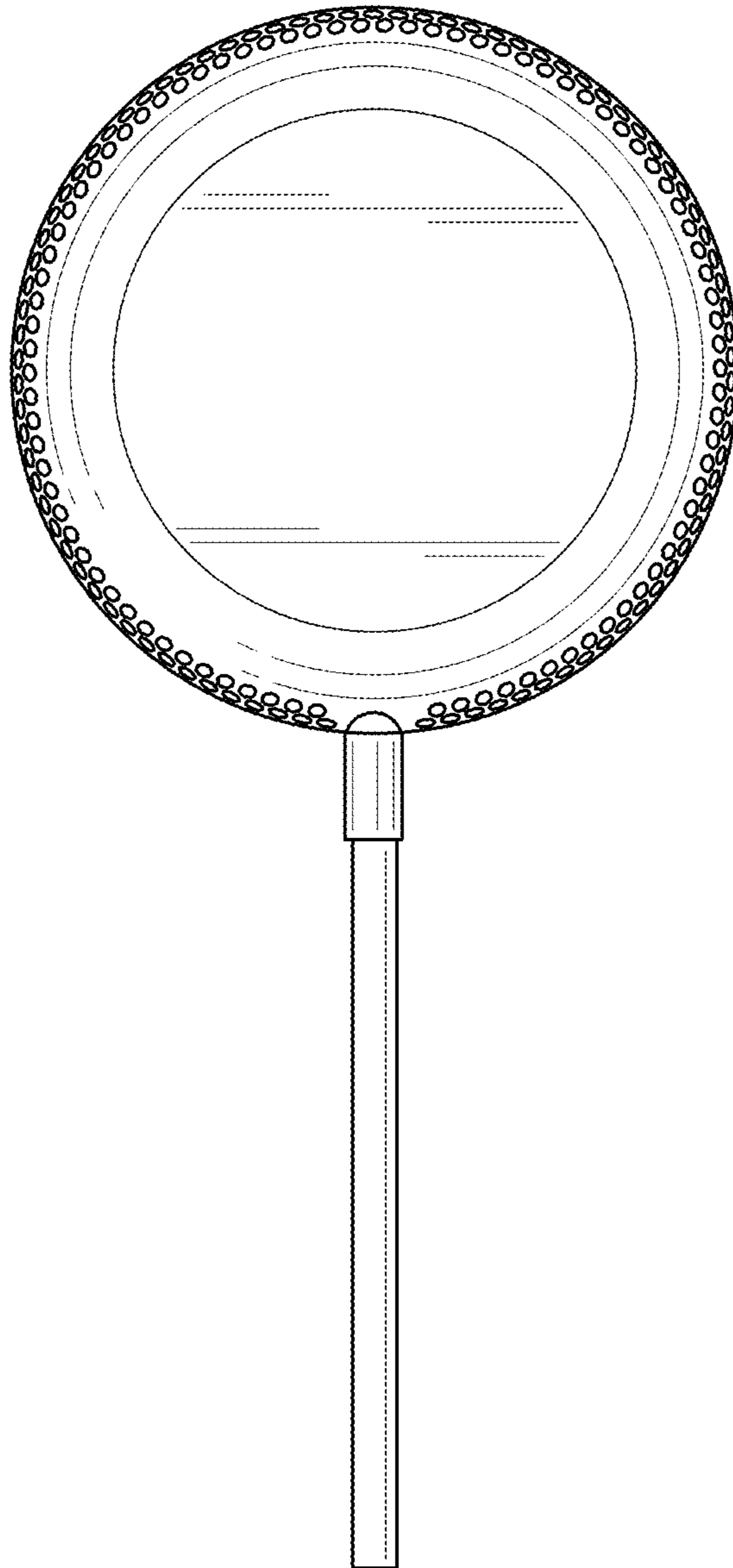


FIG. 10

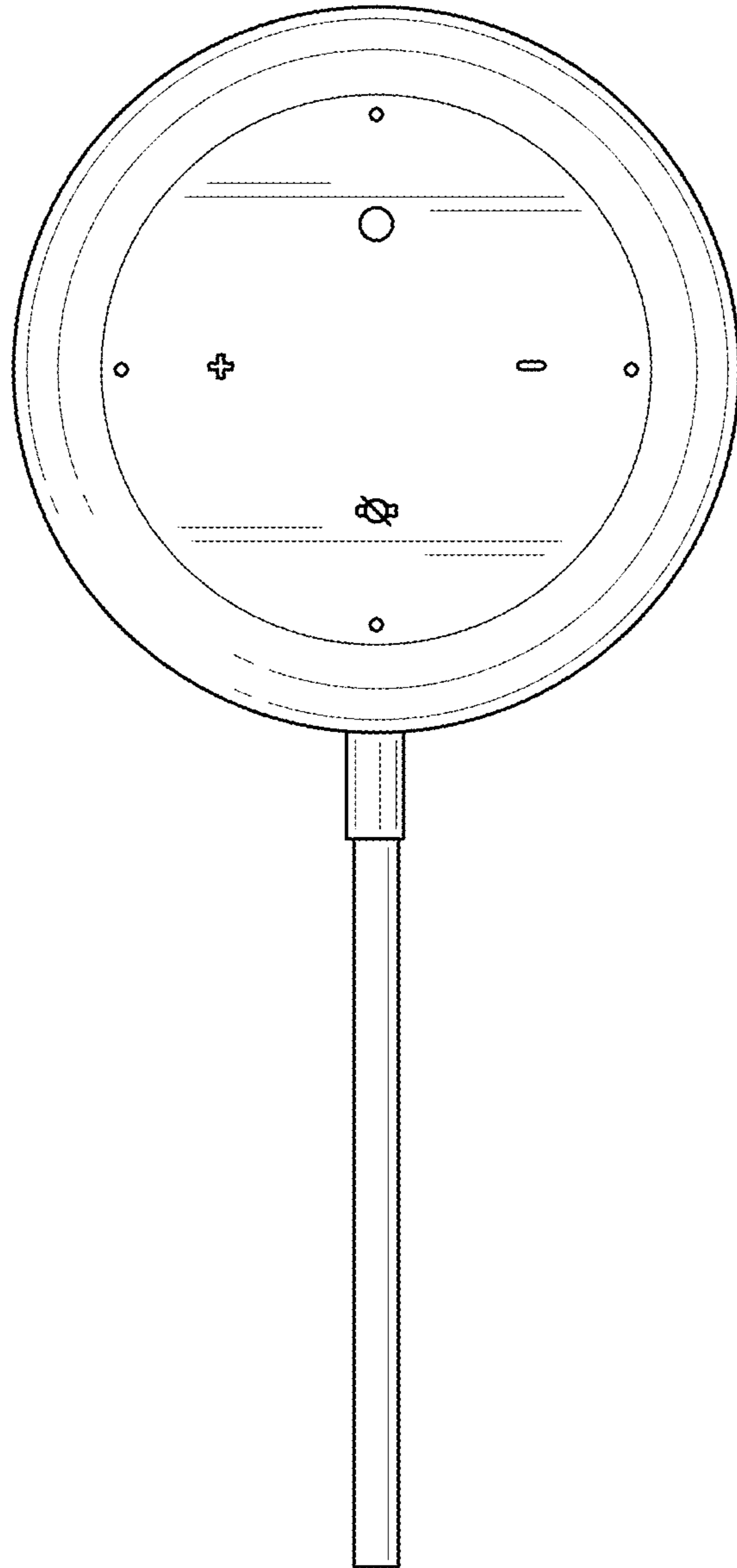


FIG. 11