



US00D836605S

(12) **United States Design Patent**
Kim et al.

(10) **Patent No.:** **US D836,605 S**

(45) **Date of Patent:** **** Dec. 25, 2018**

(54) **AUDIO VISUAL BOX FOR TV RECEIVER**

(71) Applicant: **LG ELECTRONICS INC.**, Seoul (KR)

(72) Inventors: **Yooseok Kim**, Seoul (KR); **Jongyoun Shin**, Seoul (KR); **Sunha Park**, Seoul (KR); **Younsoo Kim**, Seoul (KR); **Byungmu Huh**, Seoul (KR)

(73) Assignee: **LG ELECTRONICS INC.**, Seoul (KR)

(**) Term: **15 Years**

(21) Appl. No.: **35/502,961**

(22) Filed: **Nov. 8, 2016**

(80) **Hague Agreement Data**

Int. Filing Date: **Nov. 8, 2016**

Int. Reg. No.: **DM/093432**

Int. Reg. Date: **Nov. 8, 2016**

Int. Reg. Pub. Date: **May 12, 2017**

(51) **LOC (11) Cl.** **14-01**

(52) **U.S. Cl.**
USPC **D14/215**

(58) **Field of Classification Search**
USPC D14/125–126, 129, 132–133, 375–376, D14/451, 221, 224, 224.1, 239, 242, 204, D14/209.1, 210, 211, 214–216, 357–358, D14/496, 172, 194–195
CPC . B60R 11/0217; B60R 11/0223; H04R 1/023; H04R 1/025; H04R 1/323; H04R 5/02; H04R 19/02; H04F 2400/00; H04F 2400/07; H04F 2400/11; G06F 1/16
See application file for complete search history.

(56) **References Cited**

U.S. PATENT DOCUMENTS

D227,904 S * 7/1973 Takeoka D14/214
D561,735 S * 2/2008 Nagura D14/168

D578,109 S * 10/2008 Han D14/215
D589,914 S * 4/2009 Wang D14/125
D676,414 S * 2/2013 Holzer D14/172
D687,010 S * 7/2013 McManigal D14/188
D701,187 S * 3/2014 Sung D14/126
D718,282 S * 11/2014 Bennett D13/163
8,967,323 B1 * 3/2015 Grenier H04R 1/403
181/198
D800,095 S * 10/2017 Yao D14/214

(Continued)

OTHER PUBLICATIONS

Trager, Christian, Sony HT-NTS: test of the TV speaker, posted at Computerbild, posting date Aug. 25, 2016. [online][site visited Mar. 13, 2018] URL: <<http://www.computerbild.de/artikel/avf-Tests-Audio-Sony-HT-NT5-Soundbar-TV-Lautsprecher-Test-16201547.html>> (Year: 2016).*

(Continued)

Primary Examiner — George D. Krischbaum

Assistant Examiner — Kathleen L Jones

(74) *Attorney, Agent, or Firm* — Birch, Stewart, Kolasch & Birch, LLP

(57) **CLAIM**

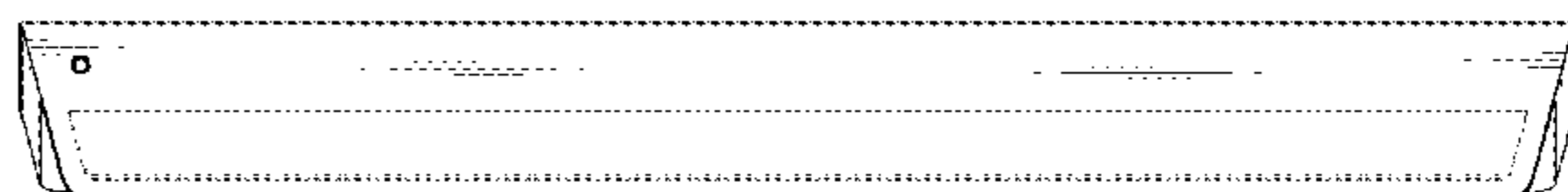
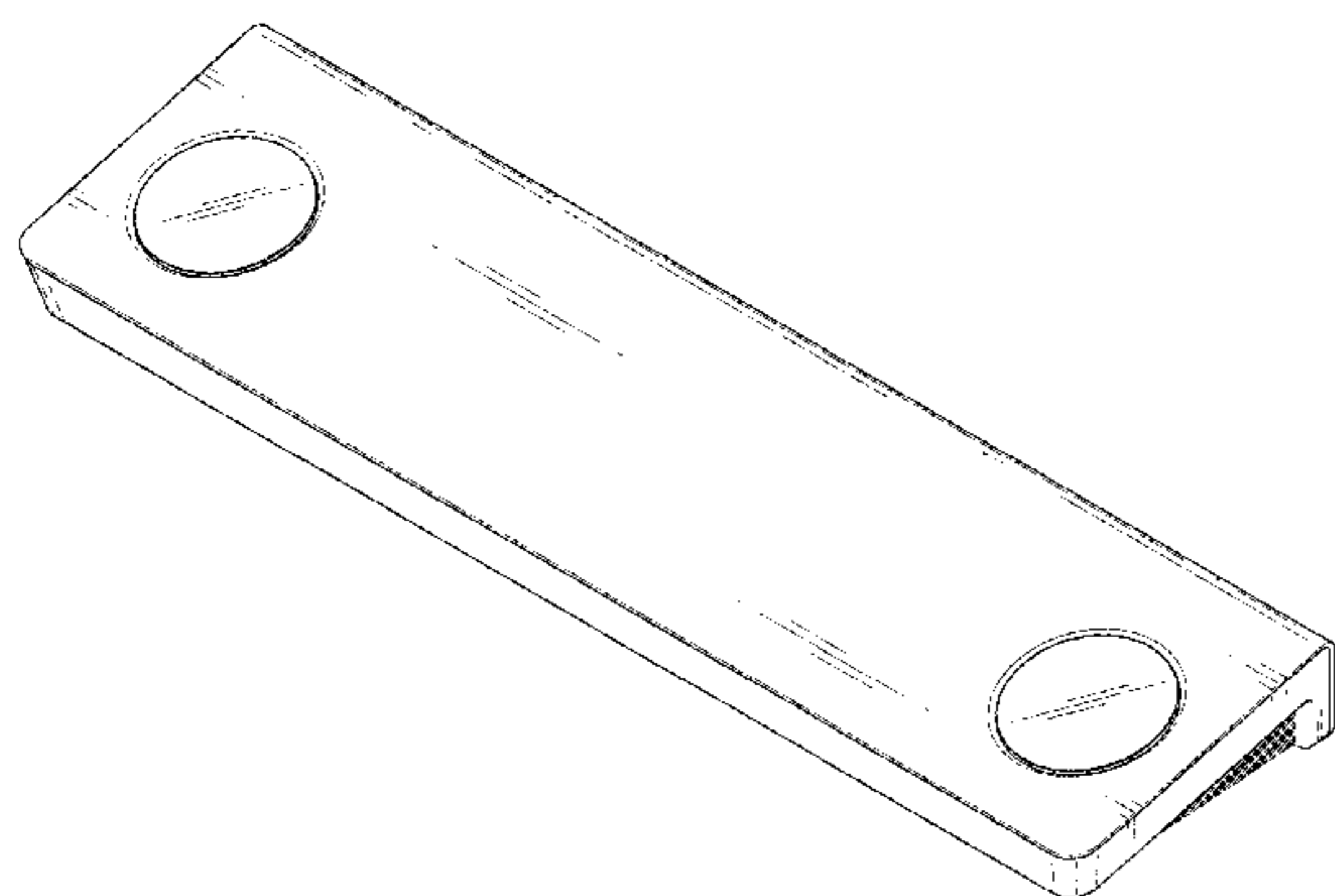
The ornamental design for an audio visual box for TV receiver, as shown and described.

DESCRIPTION

1. Audio visual box for TV receiver
1.1 is a front perspective view of an audio visual box for TV receiver.
1.2 is a front view thereof.
1.3 is a back view thereof.
1.4 is a left side view thereof.
1.5 is a right side view thereof.
1.6 is a top view thereof.
1.7 is a bottom view thereof.

The broken lines shown in the figures depict portions of the audio visual box for TV receiver that form no part of the claimed design.

1 Claim, 2 Drawing Sheets



(56)

References Cited

U.S. PATENT DOCUMENTS

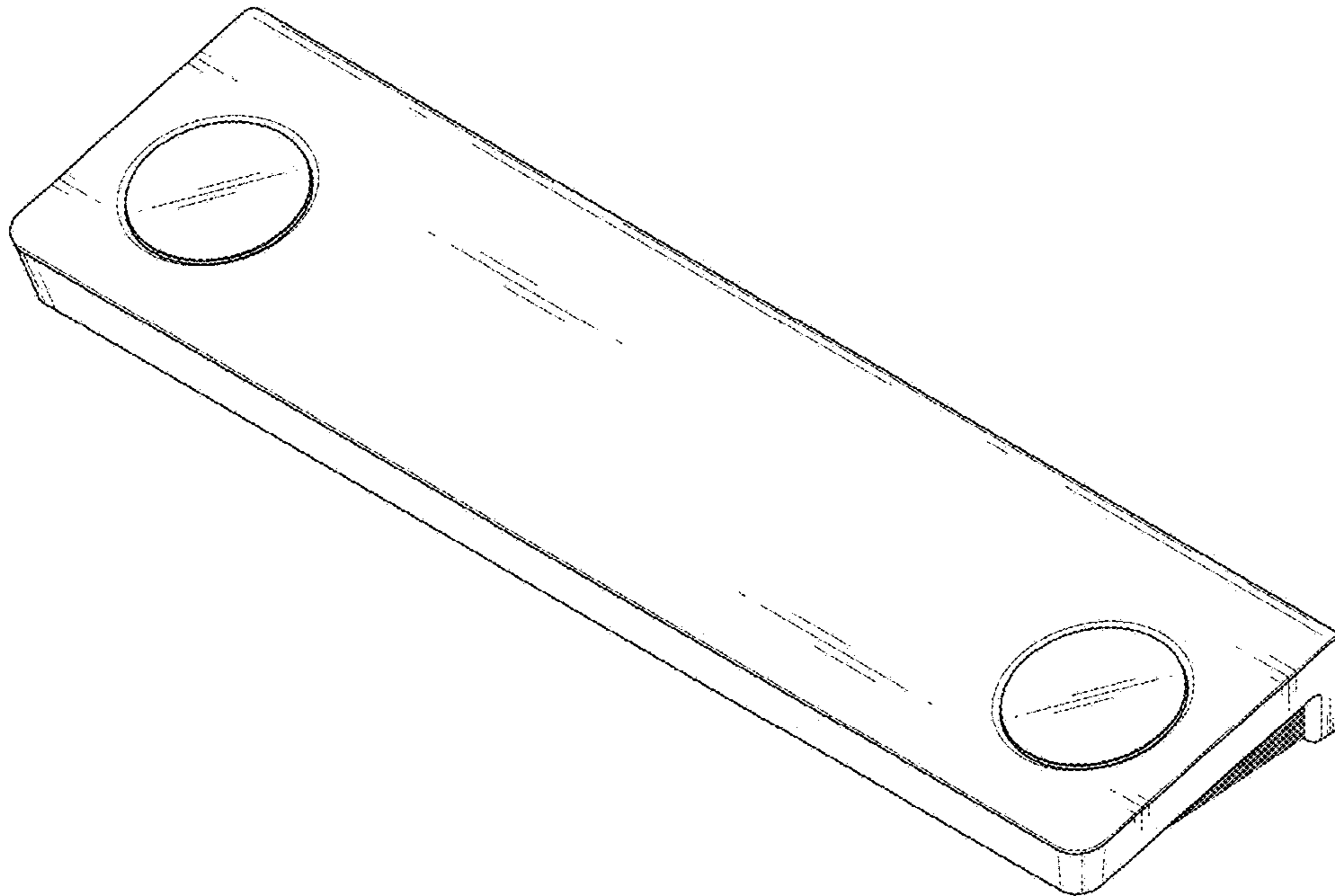
D810,710 S * 2/2018 Kim D14/125
D810,711 S * 2/2018 Kim D14/125
D823,820 S * 7/2018 Kim D14/125
D824,348 S * 7/2018 Kim D14/125
D826,876 S * 8/2018 Kim D14/125
2007/0211579 A1* 9/2007 Yoshimura H04R 5/04
369/7

OTHER PUBLICATIONS

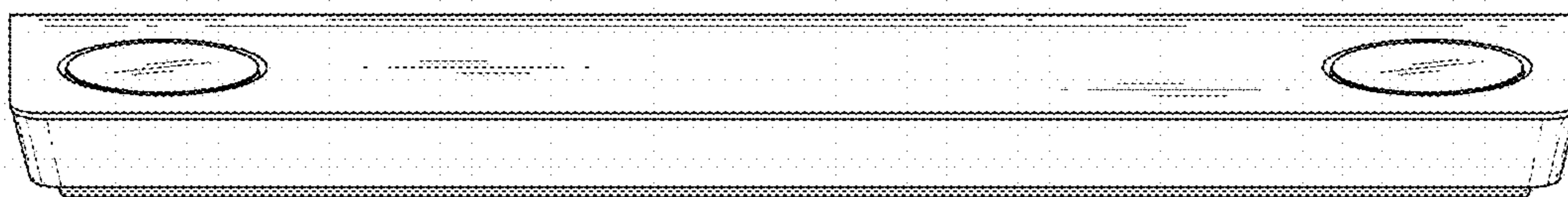
Panasonic SC-HTB885 5.1 Channel Sound Bar, posted at leconcepts, posting date May 10, 2015. [online][site visited Apr. 5, 2018] URL: <<https://www.leconcepts.com/products/soundbars/panasonic-sc-htb885-5-1-channel-sound-bar>> (Year: 2015).*

* cited by examiner

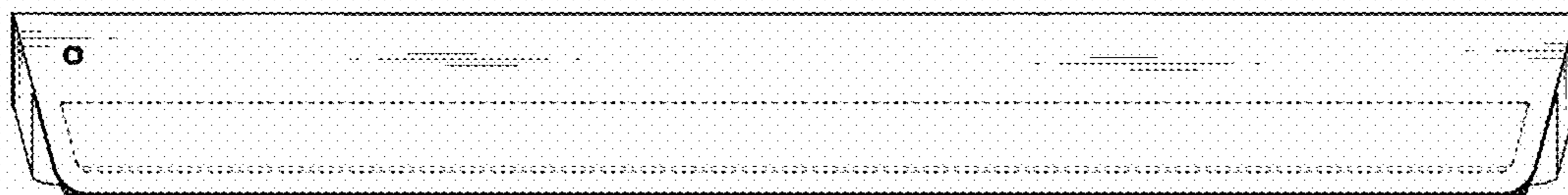
1.1



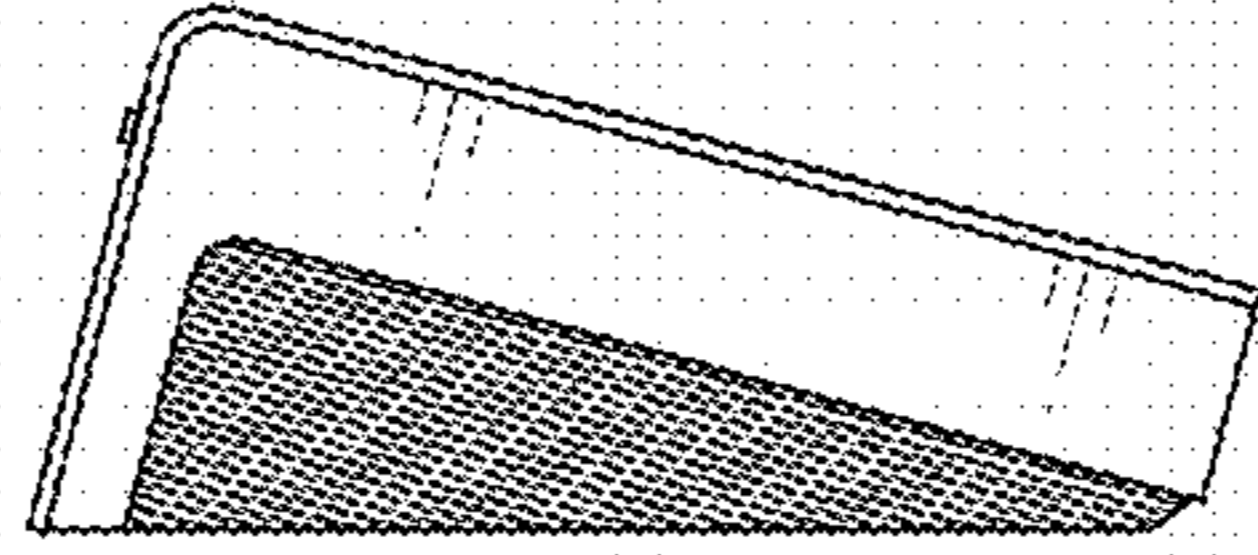
1.2



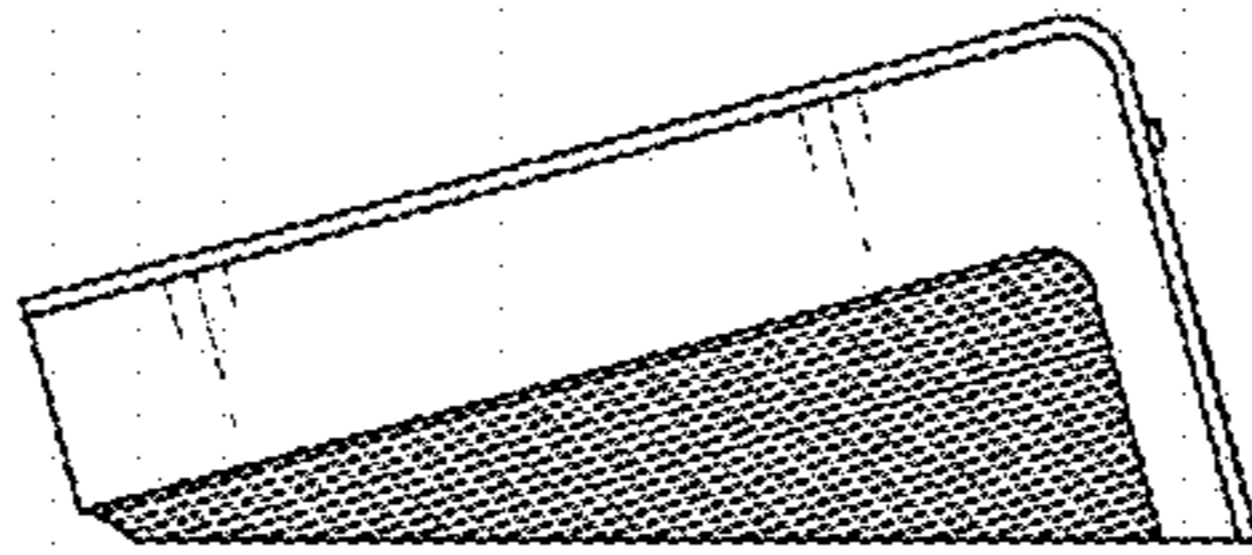
1.3



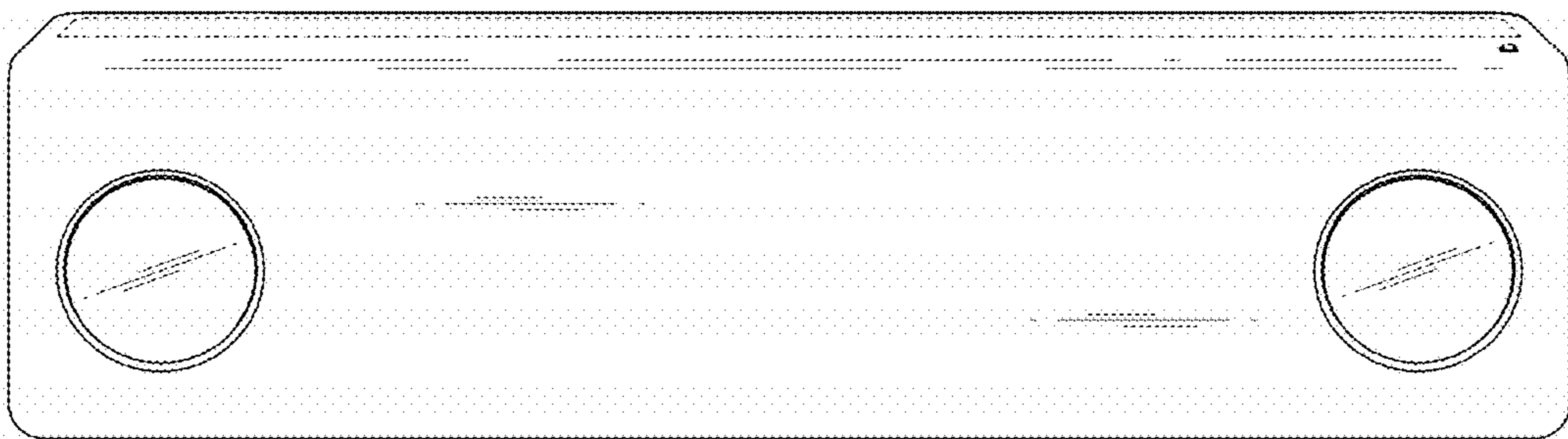
1.4



1.5



1.6



1.7

