



US00D836604S

(12) **United States Design Patent** (10) **Patent No.:** **US D836,604 S**
Kim et al. (45) **Date of Patent:** **** Dec. 25, 2018**

(54) **SOUND BAR**
(71) Applicant: **LG ELECTRONICS INC.**, Seoul (KR)
(72) Inventors: **Yongsoo Kim**, Seoul (KR); **Hyeongyeol Kim**, Seoul (KR); **Gangho Woo**, Seoul (KR)

D721,352 S * 1/2015 Kusano D14/204
D723,001 S * 2/2015 Park D14/213
D729,768 S * 5/2015 Park D14/214
D742,855 S * 11/2015 Carbone D14/214
D746,263 S * 12/2015 Carbone D14/214
D749,056 S * 2/2016 Xin D14/214
D756,968 S * 5/2016 Huang D14/214
D759,629 S * 6/2016 Kusano D14/214
D761,227 S * 7/2016 Poandl D14/171
(Continued)

(73) Assignee: **LG ELECTRONICS INC.**, Seoul (KR)

FOREIGN PATENT DOCUMENTS

(**) Term: **15 Years**

WO D096427-001 * 9/2017

(21) Appl. No.: **35/503,666**

OTHER PUBLICATIONS

(22) Filed: **Mar. 15, 2017**

LG Unveils 8 Sound Bars Including Dolby Atmos Model, announced 2017 [online], [retrieved Jun. 19, 2018]. Available from Internet, URL: <<https://hdguru.com/lg-unveils-8-sound-bars-including-dolby-atmos-model/>>.*

(80) **Hague Agreement Data**

Int. Filing Date: **Mar. 15, 2017**
Int. Reg. No.: **DM/096427**
Int. Reg. Date: **Mar. 15, 2017**
Int. Reg. Pub. Date: **Sep. 15, 2017**

(Continued)

Primary Examiner — Barbara Fox
Assistant Examiner — Dana K Weiland
(74) *Attorney, Agent, or Firm* — Birch, Stewart, Kolasch & Birch, LLP

(51) **LOC (11) Cl.** **14-01**

(52) **U.S. Cl.**
USPC **D14/214**

(58) **Field of Classification Search**
USPC D14/125–126, 131, 172, 188, 193–194, D14/203.1, 204–206, 209.1, 210–216, D14/221, 223–224, 239, 249, 265; D21/513, 516; D3/206
CPC . B60R 11/0217; B60R 11/0223; H04R 1/023; H04R 1/025; H04R 1/323; H04R 5/02; H04R 19/02; H04R 2400/00; H04R 2400/07; H04R 2400/11
See application file for complete search history.

(57) **CLAIM**

The ornamental design for a sound bar, as shown and described.

DESCRIPTION

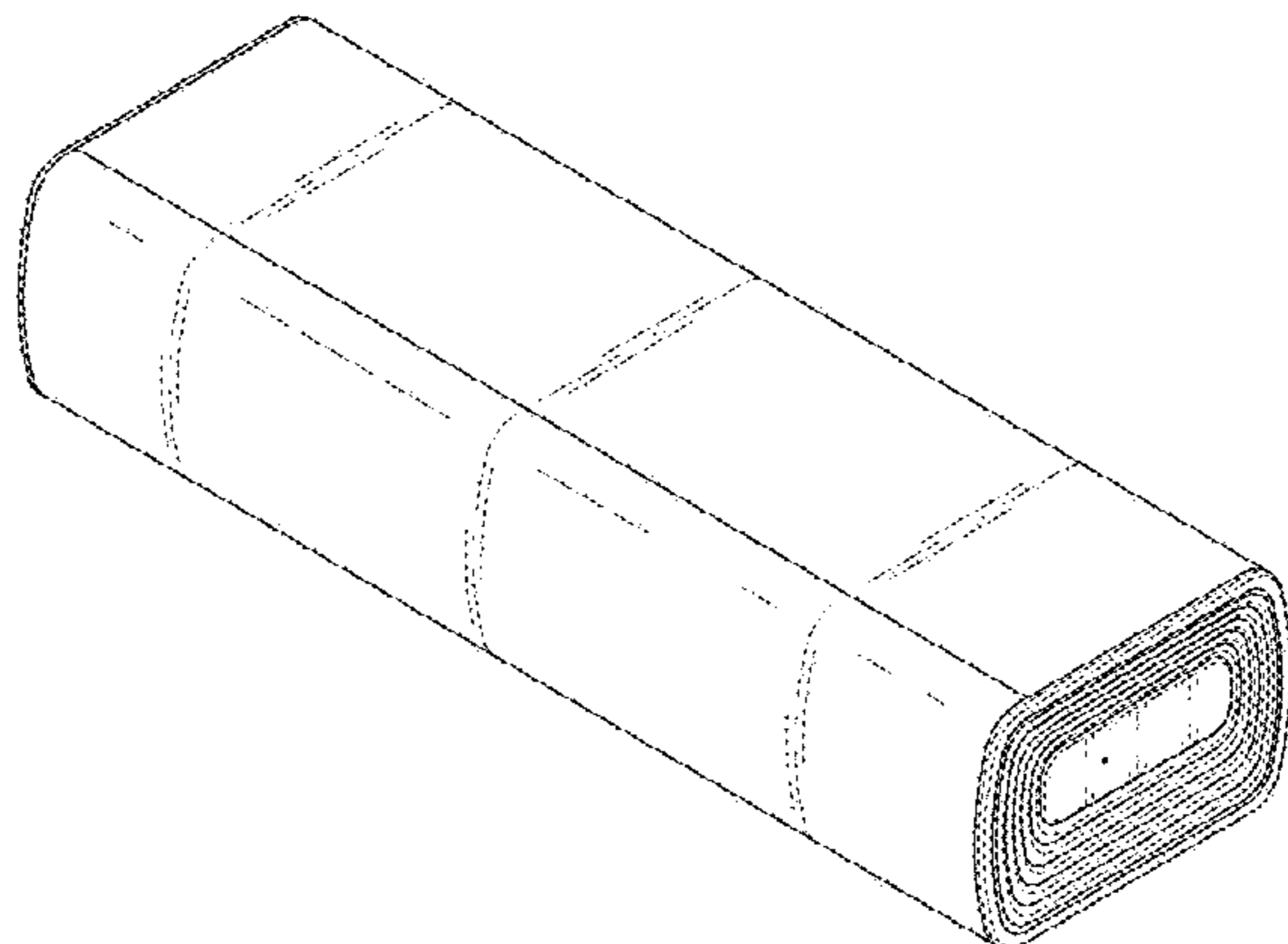
- 1. Sound bar
- 1.1 : Perspective
- 1.2 : Front
- 1.3 : Back
- 1.4 : Left
- 1.5 : Right
- 1.6 : Top
- 1.7 : Bottom

(Continued)

(56) **References Cited**

U.S. PATENT DOCUMENTS

D643,807 S * 8/2011 Jiang D13/103
D660,284 S * 5/2012 Carbone D14/214
D719,976 S * 12/2014 Bang D14/203.1



The broken lines shown in the figures depict portions of the sound bar that form no part of the claimed design.

1 Claim, 7 Drawing Sheets

(56)

References Cited

U.S. PATENT DOCUMENTS

D781,812 S	*	3/2017	Cho	D14/204
D782,444 S	*	3/2017	Koo	D14/214
D790,539 S	*	6/2017	Lee	D14/240
D800,693 S	*	10/2017	Sugiura	D14/214
D813,832 S	*	3/2018	Kim	D14/126
D817,927 S	*	5/2018	McManigal	D14/214
D819,597 S	*	6/2018	Hu	D14/214

OTHER PUBLICATIONS

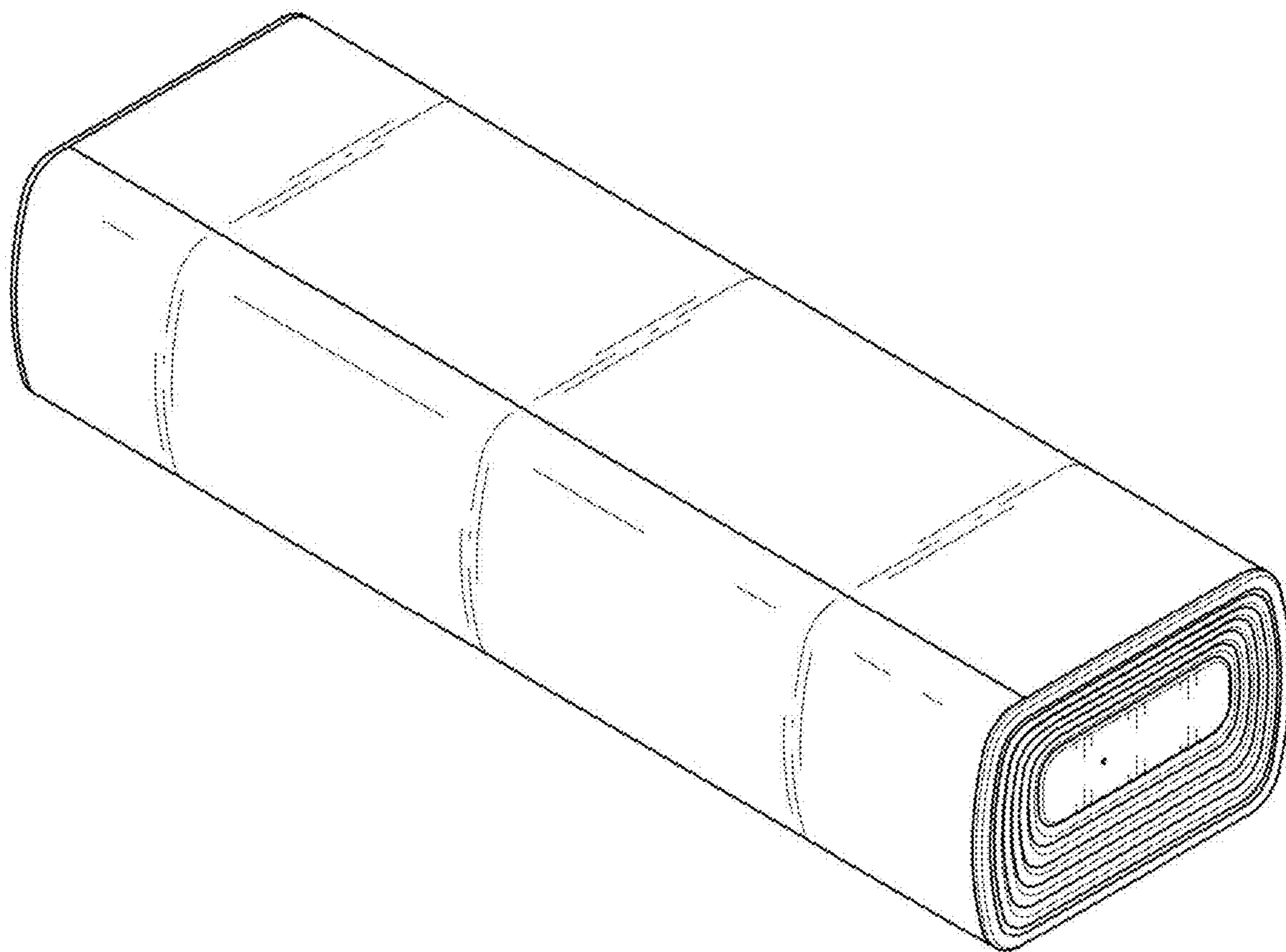
LG Sound Bar Flex SJ7 review:, announced Aug. 10, 2017 [online], [retrieved Jun. 19, 2018]. Available from Internet, URL: <<https://www.techhive.com/article/3204914/speakers/lg-sound-bar-flex-sj7-review.html>>.*

LG unveils '4K' speaker and more audio devices at CES 2017, announced Apr. 4, 2017 [online], [retrieved Jun. 20, 2018]. Available from Internet, URL: <<https://www.slashgear.com/lg-unveils-4k-speaker-and-more-audio-devices-at-ces-2017-04470056/>>.*

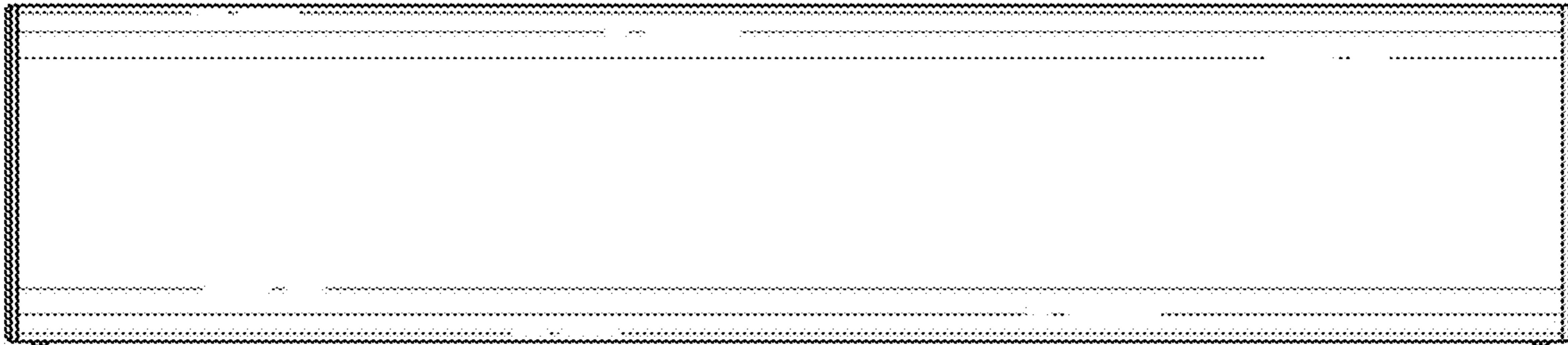
LG Sound Bar Flex, announced Jan. 5, 2017 [online], [retrieved Jun. 20, 2018]. Available from Internet, URL: <<https://www.youtube.com/watch?v=8BCMzBrwon8>>.*

* cited by examiner

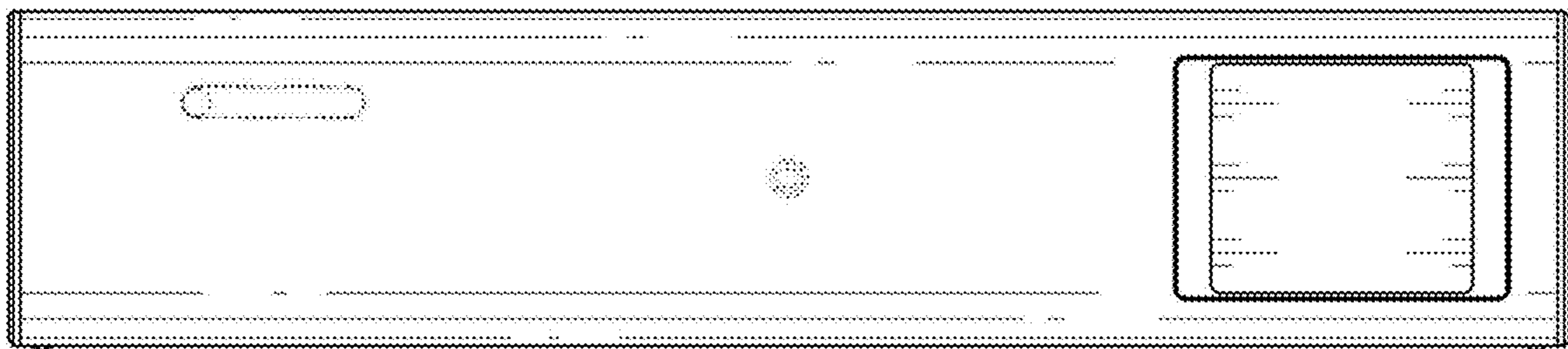
1.1



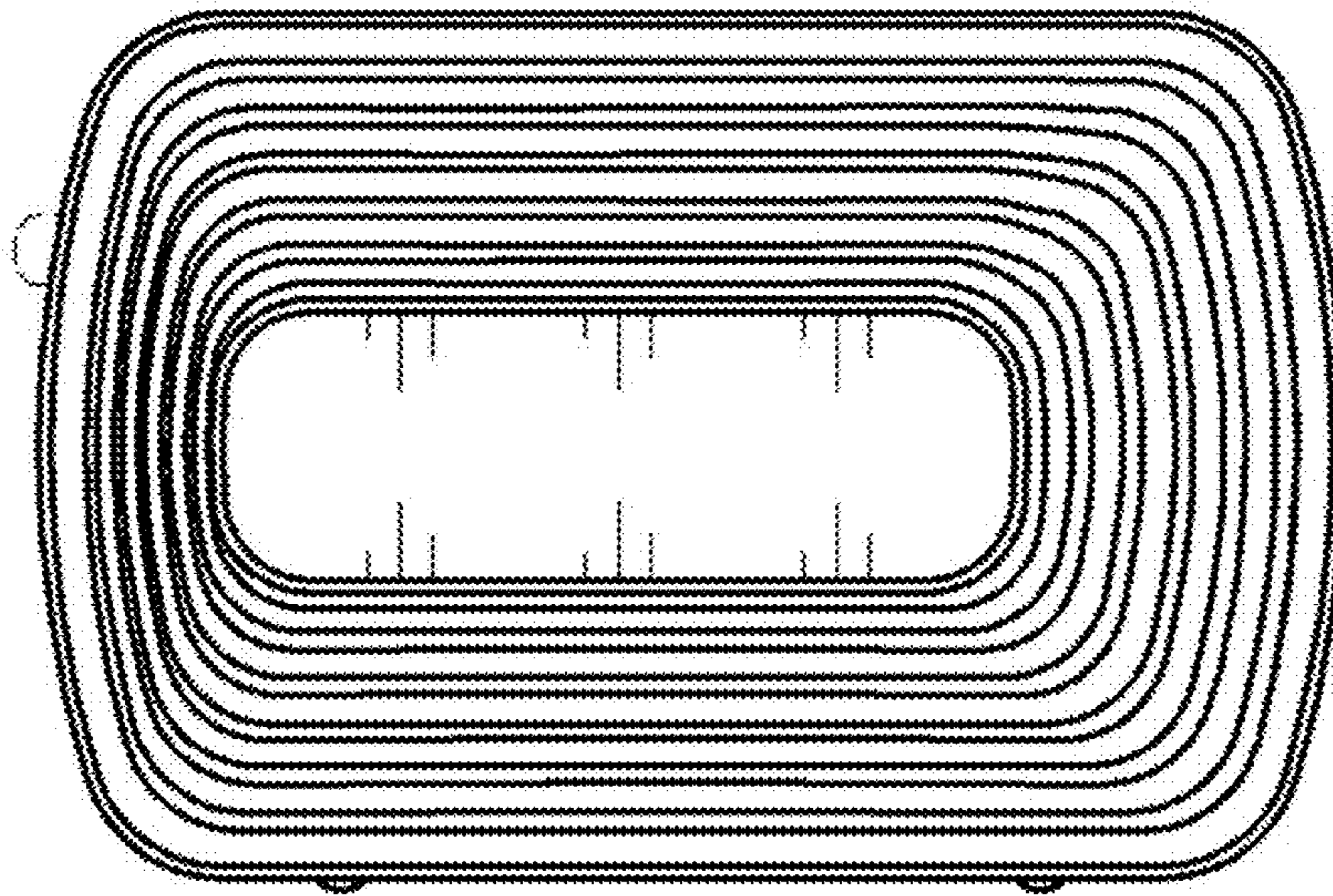
1.2



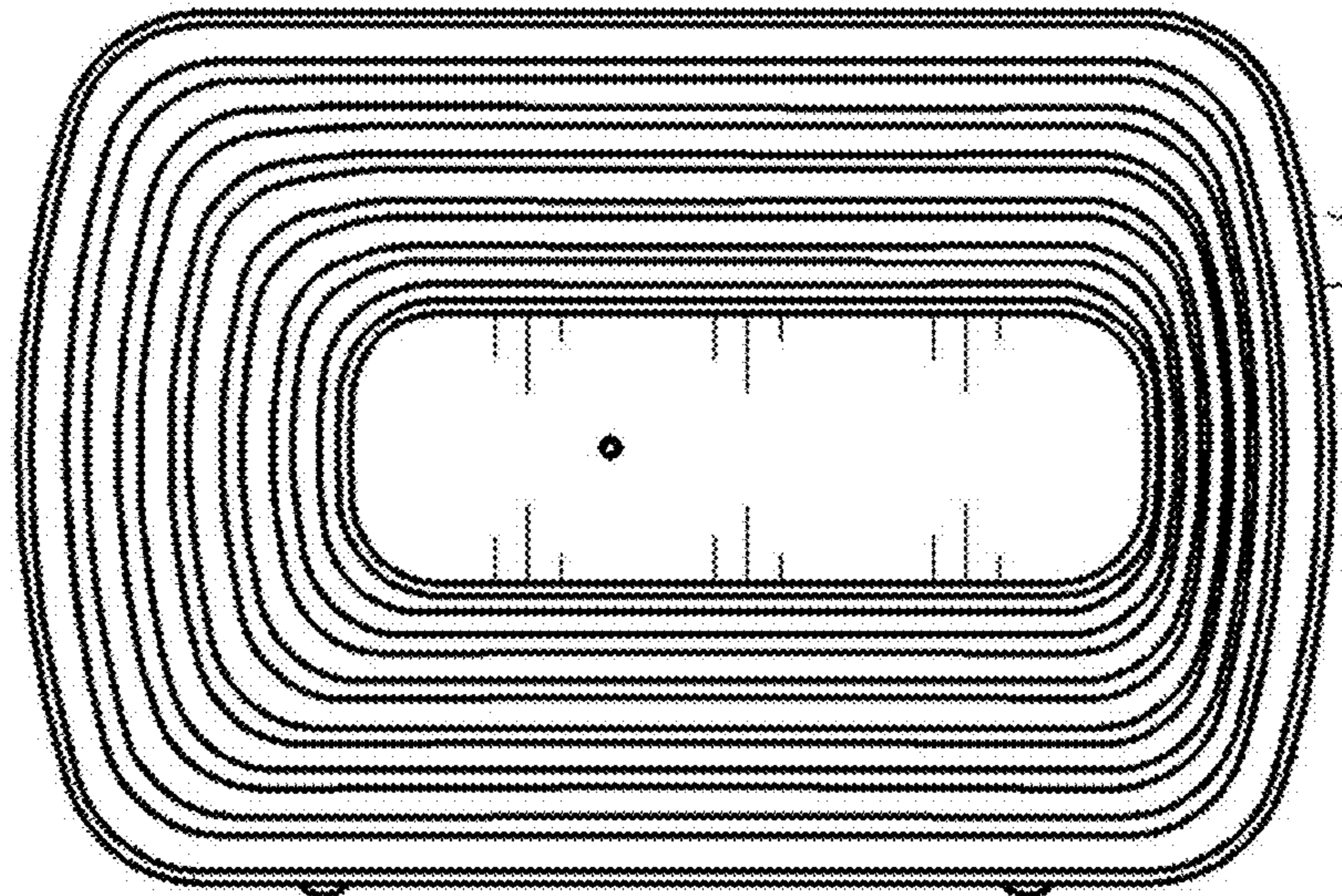
1.3



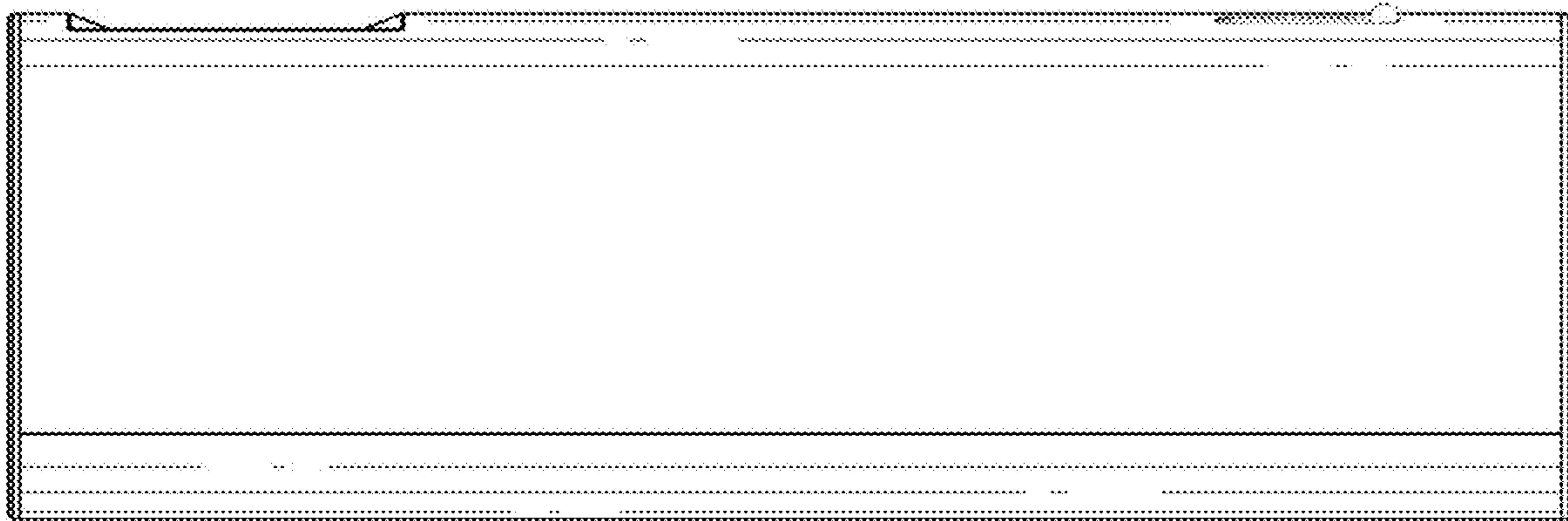
1.4



1.5



1.6



1.7

