



US00D836602S

(12) **United States Design Patent**
Huang

(10) **Patent No.:** **US D836,602 S**

(45) **Date of Patent:** **** Dec. 25, 2018**

(54) **SPEAKER**

(71) Applicant: **Hanzhu Huang**, Shantou (CN)

(72) Inventor: **Hanzhu Huang**, Shantou (CN)

(73) Assignee: **SHENZHEN NARUI ELECTRONIC CO., LTD.**, Shenzhen (CN)

(**) Term: **15 Years**

(21) Appl. No.: **29/611,938**

(22) Filed: **Jul. 27, 2017**

(51) **LOC (11) Cl.** **14-01**

(52) **U.S. Cl.**
USPC **D14/210**

(58) **Field of Classification Search**
USPC D14/167, 168, 170–172, 188, 194–196,
D14/204, 207, 209.1, 210–216, 219, 221,
D14/222, 496; 181/198, 199; 381/300,
381/303, 332, 334, 336, 345
CPC H04R 1/02; H04R 1/021; H04R 1/025;
H04R 1/026; H04R 1/028; H04R 1/34;
H04R 1/40; H04R 1/323; H04R 1/403;
H04R 1/345; H04R 1/2803; H04R
1/2834; H04R 5/02; H04R 9/06; H04R
2201/021; H04R 2400/00; H04R 2400/01;
H04R 2400/03; B60R 11/0217; G06F
1/1688; G10K 9/22; H03F 1/327; H04N
5/642

See application file for complete search history.

(56) **References Cited**

U.S. PATENT DOCUMENTS

6,666,296 B1 * 12/2003 Mathis H04R 5/02
181/199

D725,076 S * 3/2015 Wong D14/216
D754,630 S * 4/2016 Paterson D14/204
D755,155 S * 5/2016 Paterson D14/204
D803,190 S * 11/2017 Lee D14/216
D803,810 S * 11/2017 Lee D14/216
D804,460 S * 12/2017 Li D14/242
D813,210 S * 3/2018 Benedetti D14/230
D819,632 S * 6/2018 Lin D14/358
2009/0139990 A1 * 6/2009 Bailis A45C 7/0031
220/212

FOREIGN PATENT DOCUMENTS

WO WO-2016191256 A1 * 12/2016 H04R 1/028

* cited by examiner

Primary Examiner — R. Johnson

(57) **CLAIM**

The ornamental design for a speaker, as shown.

DESCRIPTION

FIG. 1 is a front elevational view of a speaker showing my new design;

FIG. 2 is a rear elevational view thereof;

FIG. 3 is a left side elevational view thereof;

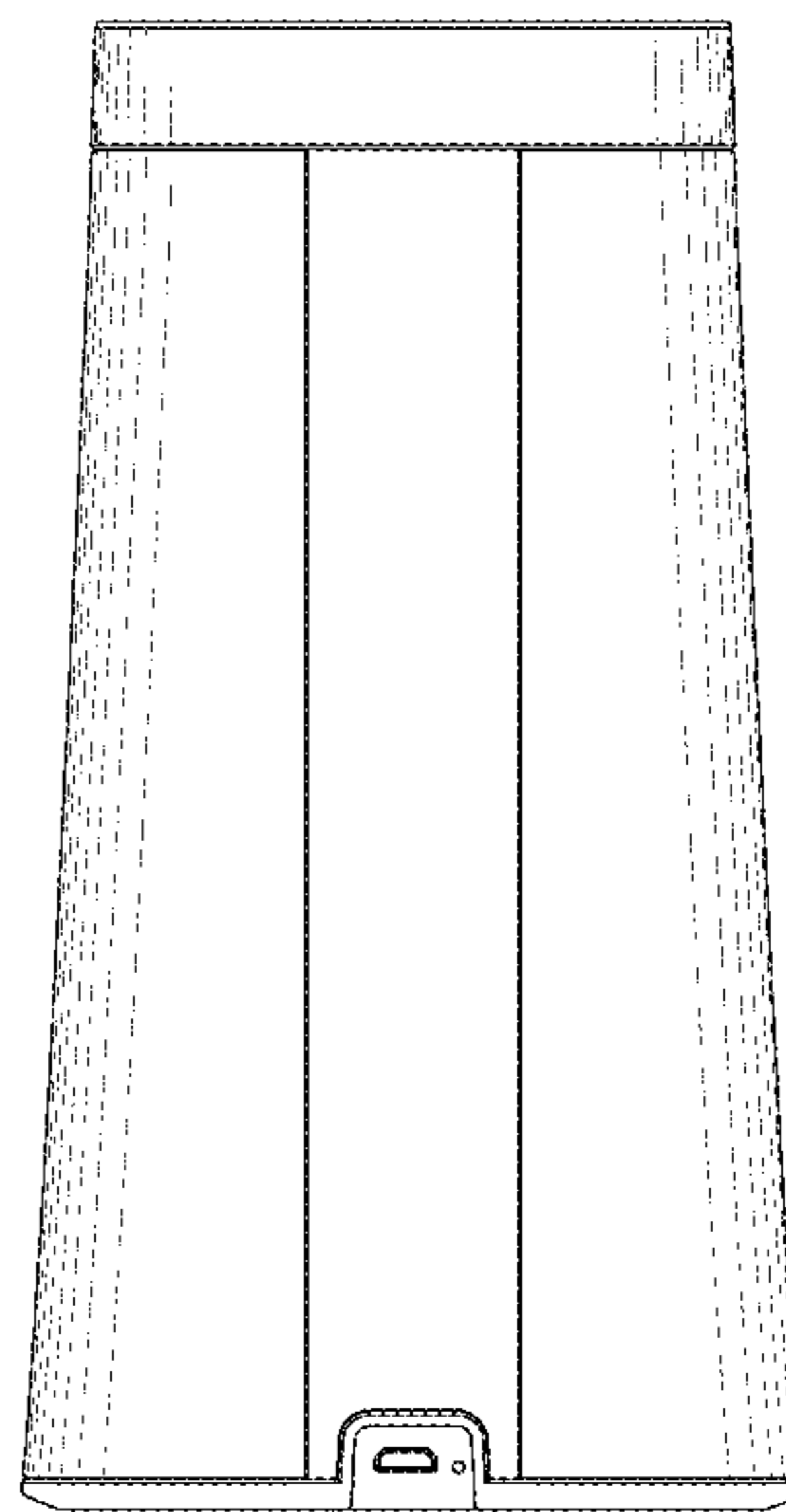
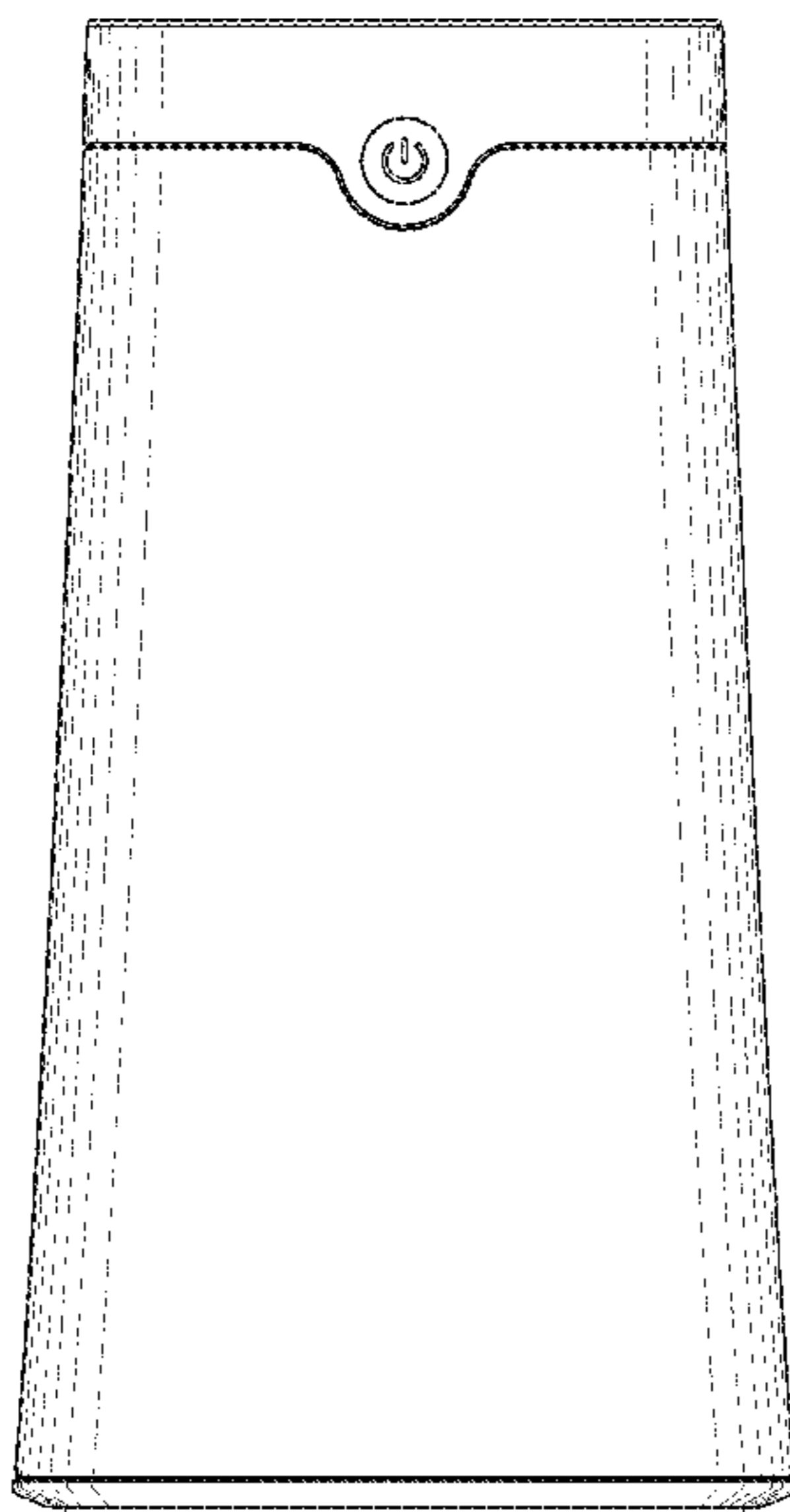
FIG. 4 is a right side elevational view thereof;

FIG. 5 is a top plan view thereof;

FIG. 6 is a bottom plan view thereof, and,

FIG. 7 is a perspective view thereof.

1 Claim, 7 Drawing Sheets



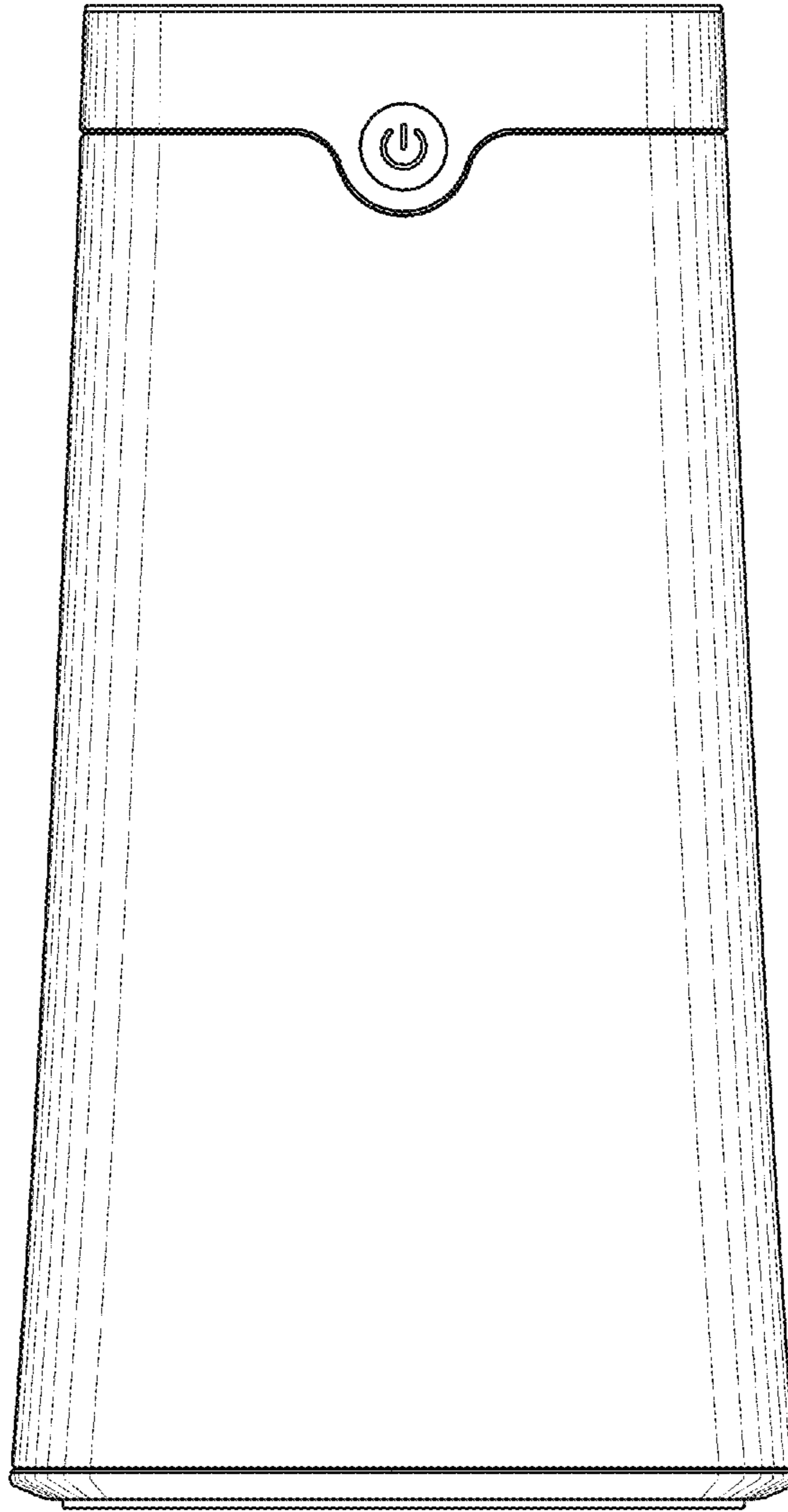


FIG.1

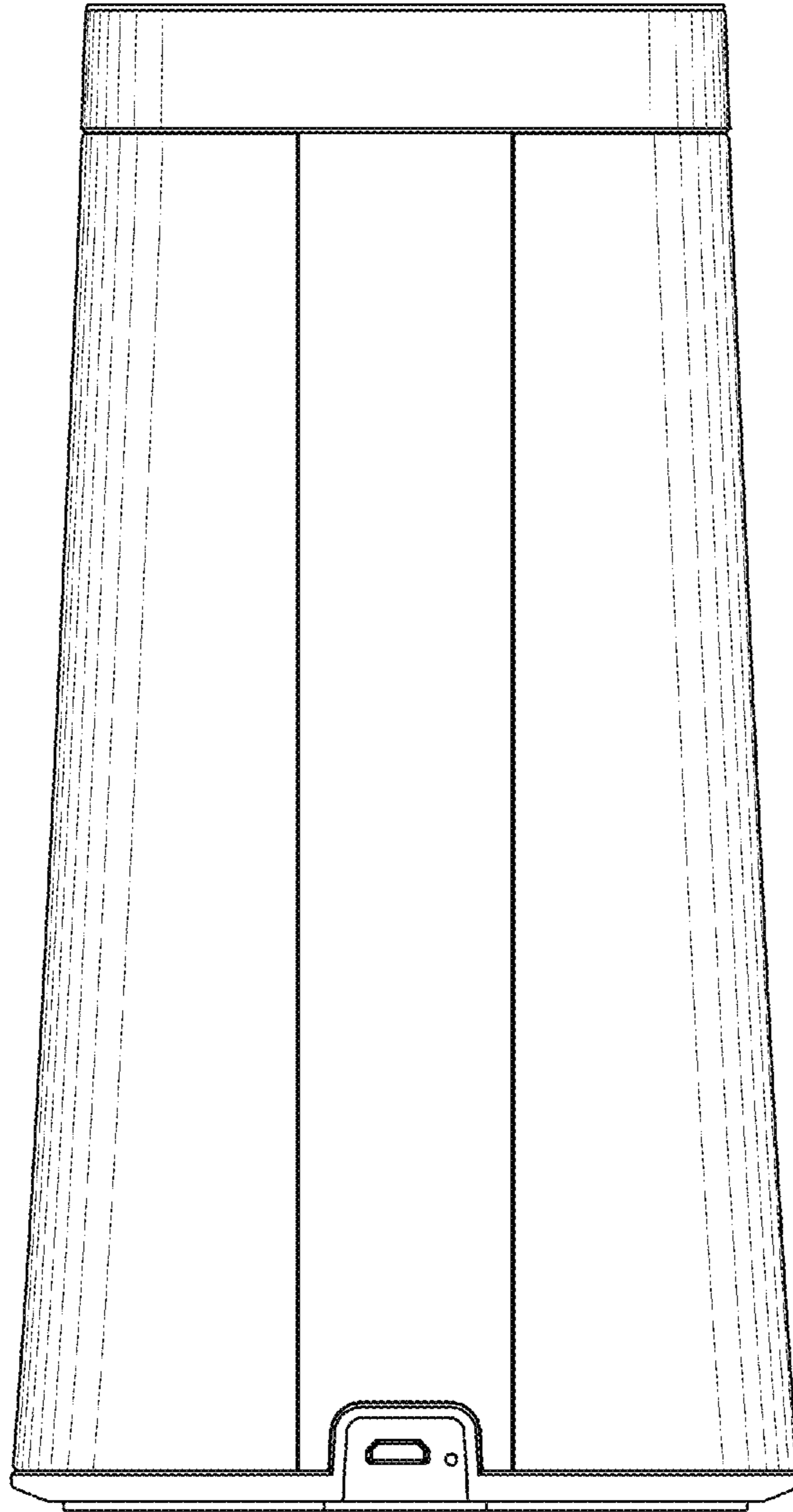


FIG.2

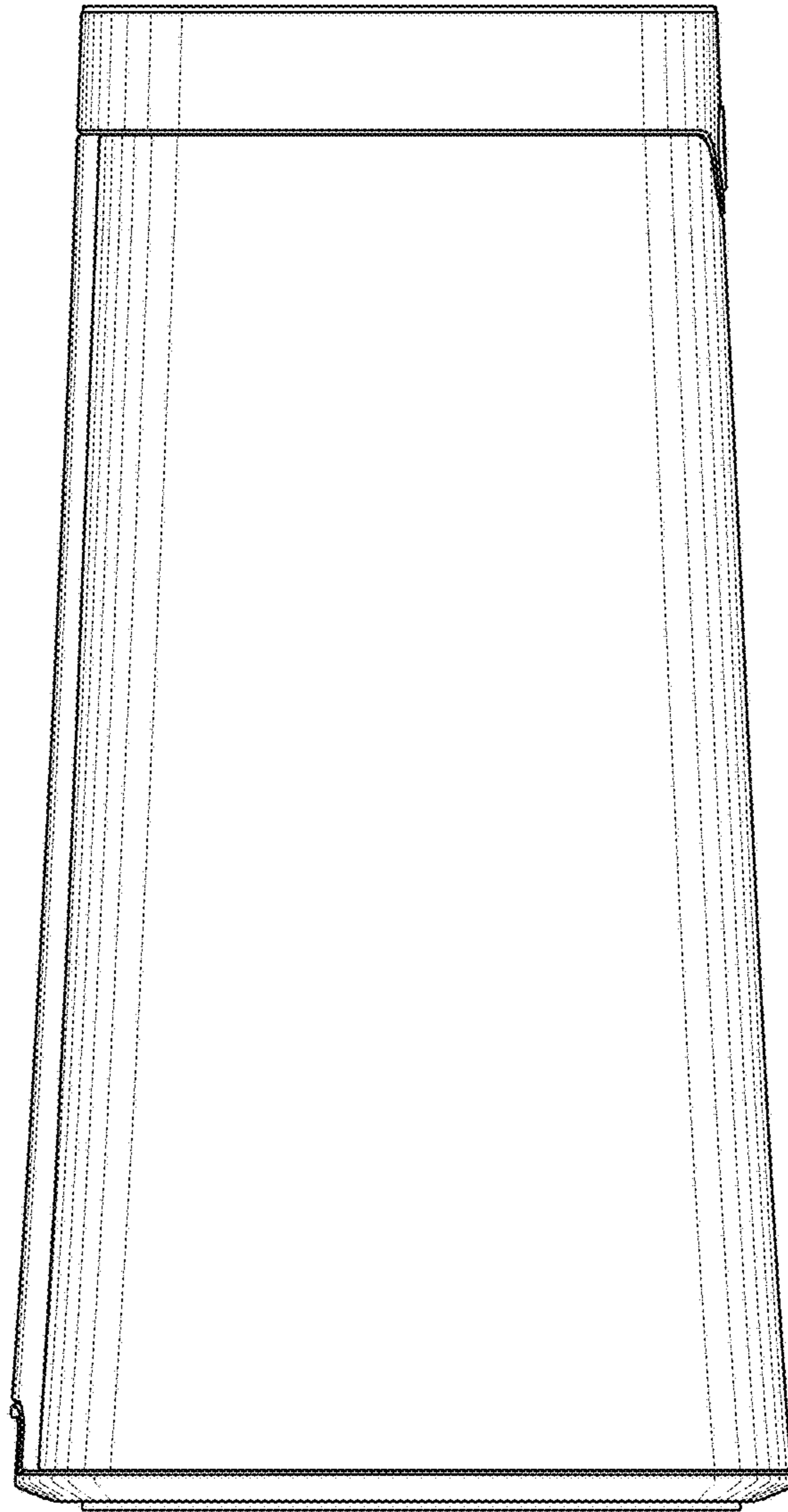


FIG.3

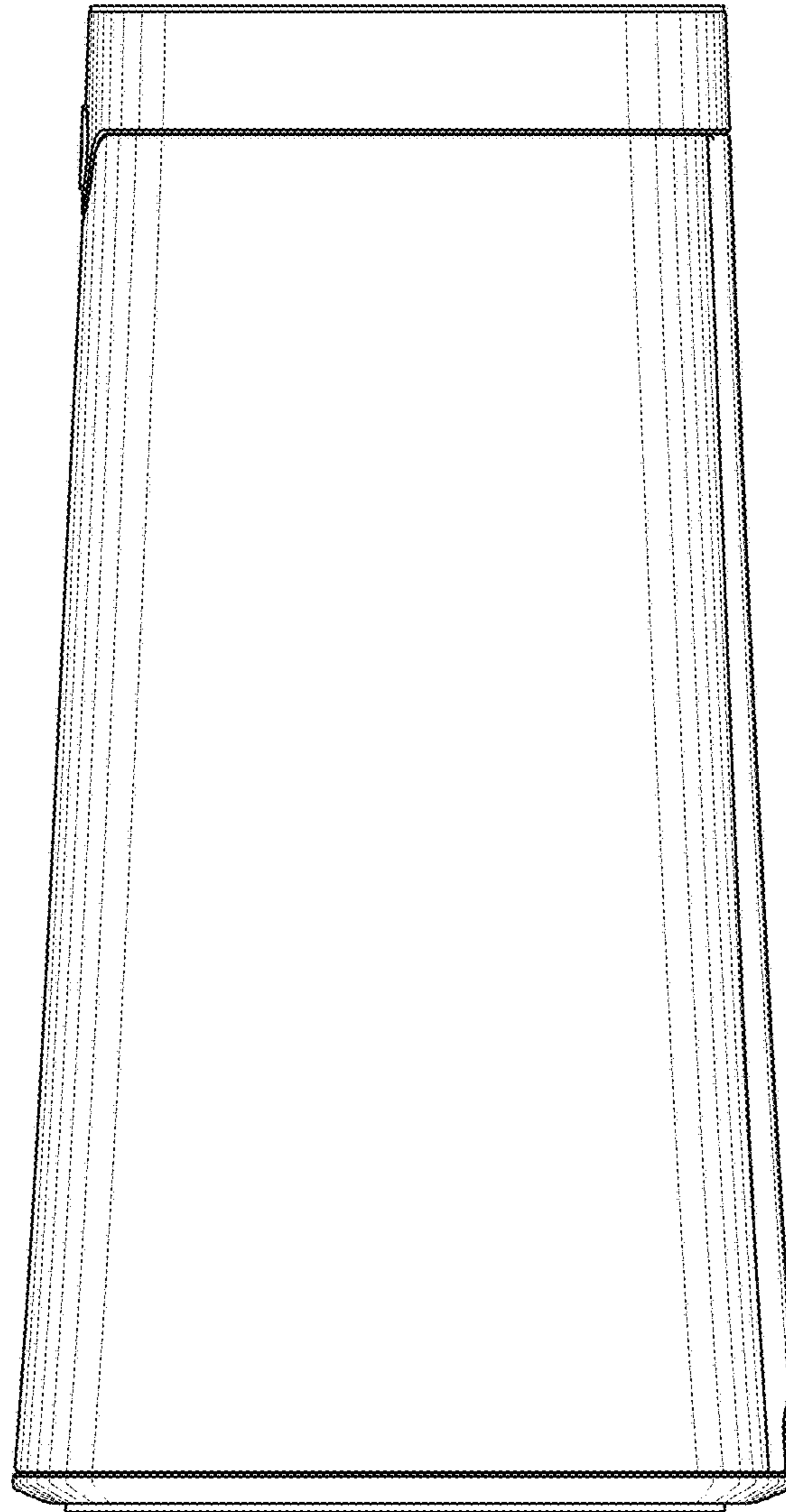


FIG.4

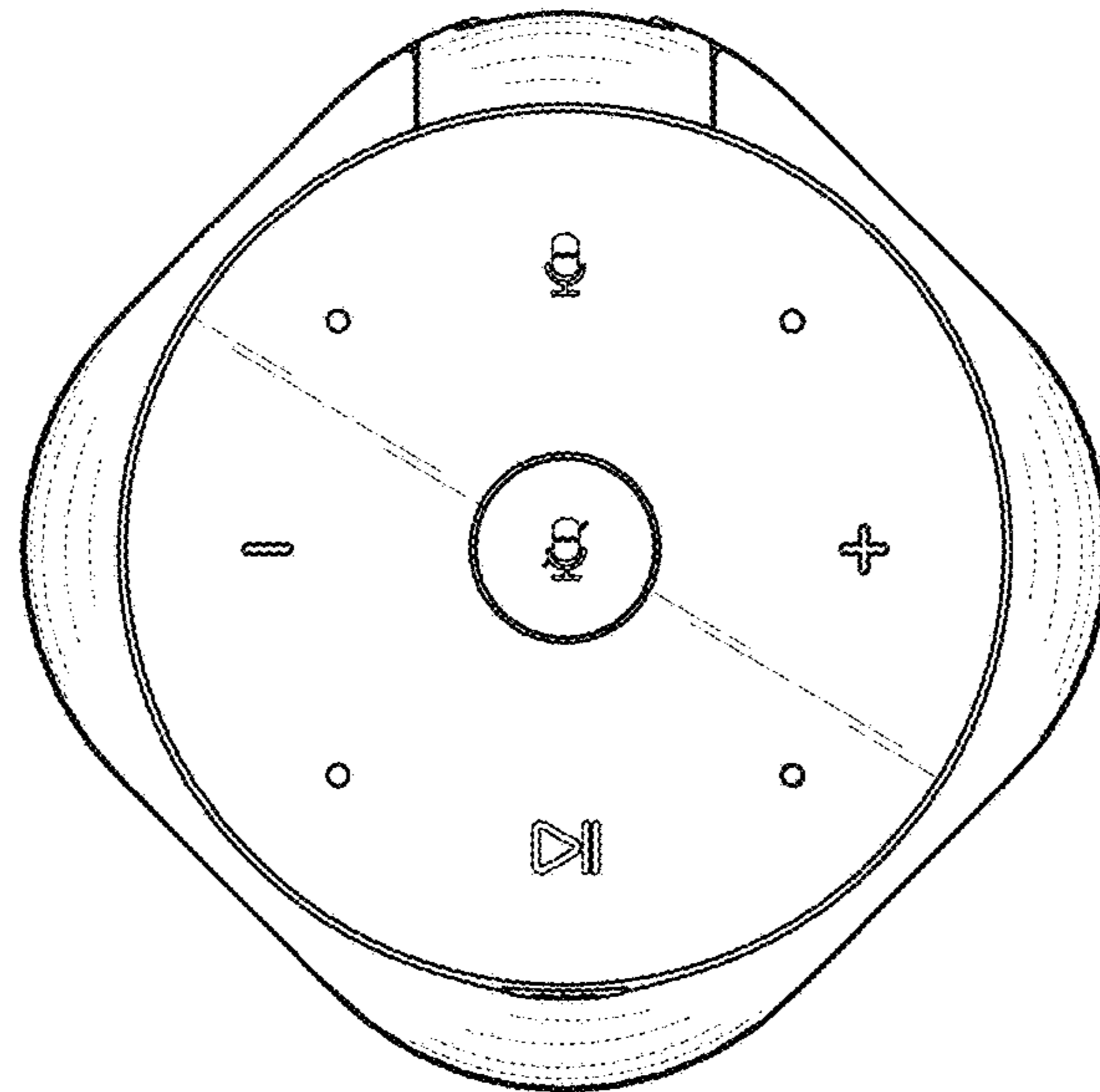


FIG.5

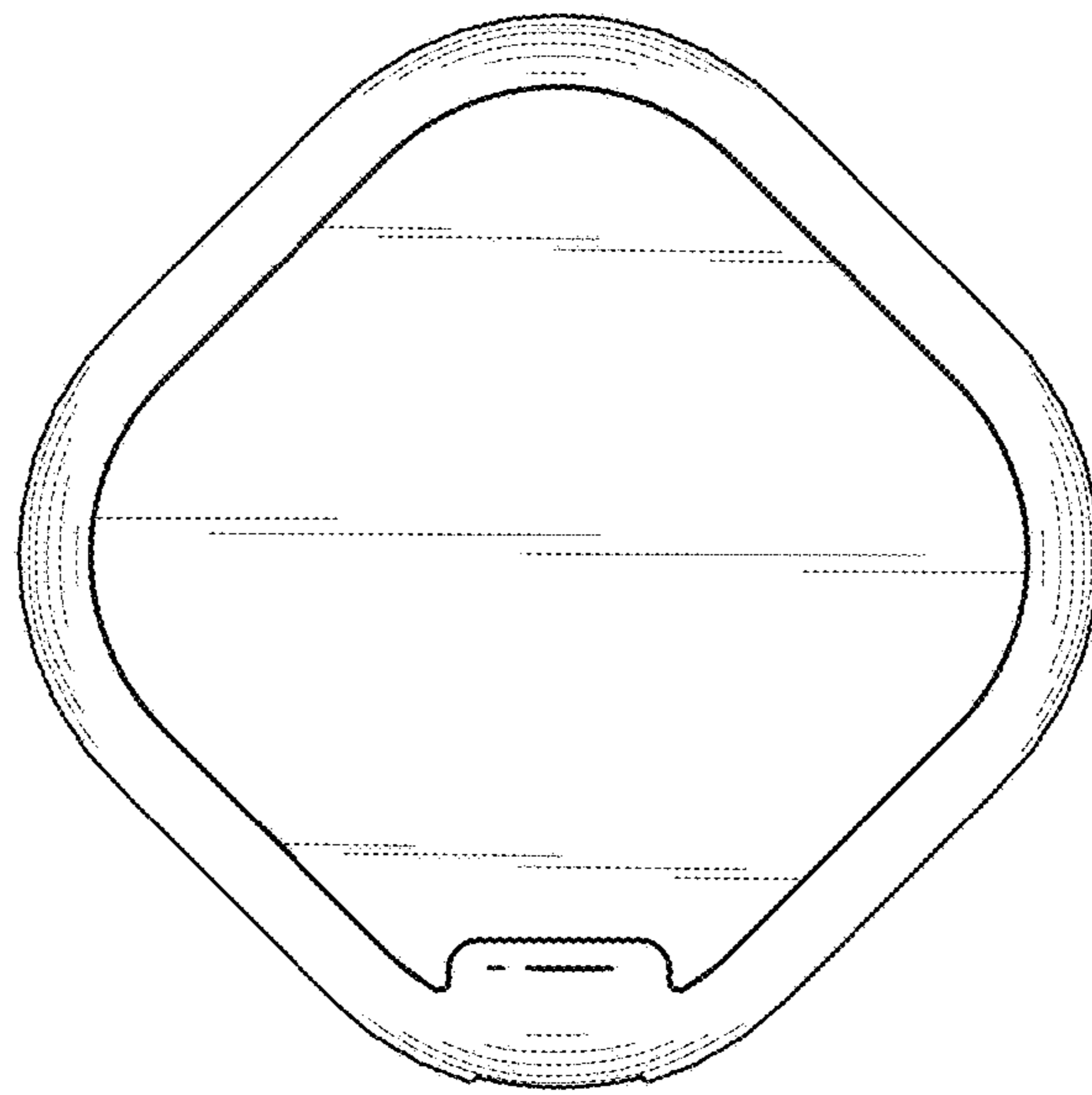


FIG.6

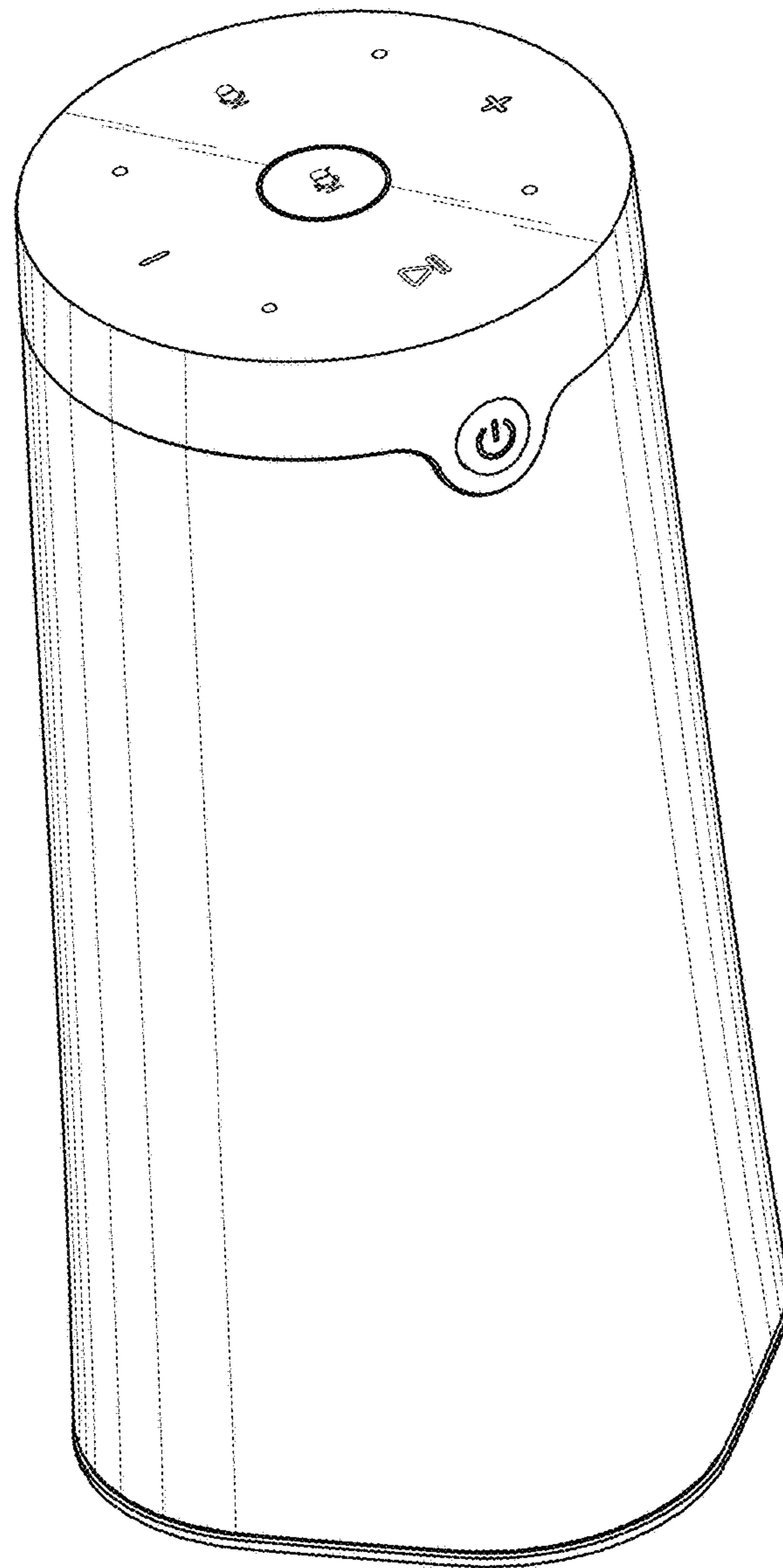


FIG.7