



US00D836600S

(12) **United States Design Patent**  
**Lee et al.**

(10) **Patent No.:** **US D836,600 S**  
(45) **Date of Patent:** **\*\* Dec. 25, 2018**

- (54) **HEADSET**
- (71) Applicant: **Kingston Digital, Inc.**, Fountain Valley, CA (US)
- (72) Inventors: **Baron King Lee**, Fountain Valley, CA (US); **Peter Leekuo Chou**, Fountain Valley, CA (US); **Lung Yuan Chen**, Hsinchu (TW); **Yaocheng He**, Hsinchu (TW)
- (73) Assignee: **Kingston Digital, Inc.**, Fountain Valley, CA (US)
- (\*\*) Term: **15 Years**
- (21) Appl. No.: **29/617,081**
- (22) Filed: **Sep. 11, 2017**
- (51) **LOC (11) Cl.** ..... **14-01**
- (52) **U.S. Cl.**  
USPC ..... **D14/206**
- (58) **Field of Classification Search**  
USPC ..... D14/206, 205, 188, 192, 372, 225, 226;  
D29/112; 2/209; 181/129, 130, 135;  
379/430, 431; 455/90.3, 575.1, 569.1;  
345/7, 8, 9  
CPC .... H04R 1/1066; H04R 1/1016; H04R 25/00;  
H04R 25/02; H04R 5/033; H04R 5/0335;  
H04R 1/1083; H04R 1/08; H04R 19/04  
See application file for complete search history.

- (56) **References Cited**  
U.S. PATENT DOCUMENTS  
3,681,540 A \* 8/1972 Thomson ..... H04R 1/1066  
381/374  
3,887,899 A \* 6/1975 Kawaguchi ..... B60T 8/26  
188/1.11 E  
3,971,900 A \* 7/1976 Foley ..... H04M 1/05  
379/430

- 4,273,969 A \* 6/1981 Foley ..... H04M 1/05  
174/86
- 4,420,657 A \* 12/1983 Larkin ..... H04M 1/05  
181/129
- 4,741,030 A \* 4/1988 Wilson ..... H04M 1/05  
379/368
- D299,337 S \* 1/1989 Wiegel ..... D14/206
- D299,643 S \* 1/1989 Kubota ..... D14/223
- 4,893,344 A \* 1/1990 Tragardh ..... H04M 1/05  
379/430
- D324,385 S \* 3/1992 Yoda ..... D14/192
- 5,185,807 A \* 2/1993 Bergin ..... H04R 1/1066  
181/128

(Continued)

*Primary Examiner* — Paula Allen Greene  
(74) *Attorney, Agent, or Firm* — Skaar Ulbrich Macari, P.A.

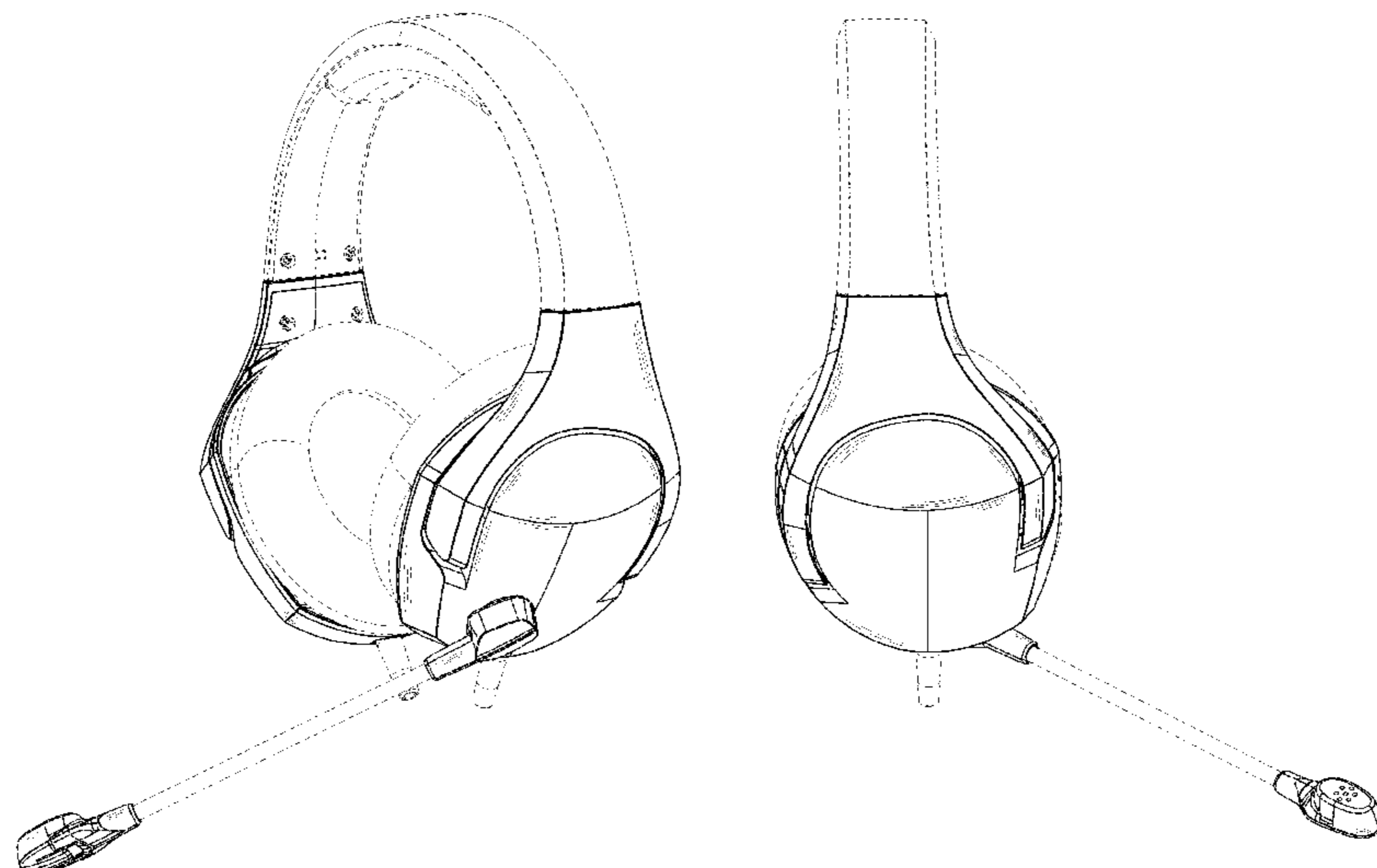
(57) **CLAIM**

We claim an ornamental design for a headset, as shown and described.

**DESCRIPTION**

FIG. 1 is a perspective view of a headset showing the claimed design;  
 FIG. 2 is another perspective view of FIG. 1;  
 FIG. 3 is a front elevational view of FIG. 1;  
 FIG. 4 is a rear elevational view of FIG. 1;  
 FIG. 5 is a left side elevational view of FIG. 1;  
 FIG. 6 is a right side elevational view of FIG. 1;  
 FIG. 7 is a top plan view of FIG. 1;  
 FIG. 8 is a bottom plan view of FIG. 1;  
 FIG. 9 is an enlarged view of the portion indicated by the square A of FIG. 3; and,  
 FIG. 10 is an enlarged view of the portion indicated by the circle B of FIG. 8.  
 The broken lines in the figures represent portions of the article which form no part of the claimed design.  
 The dot-dash lines in the figures represent the boundaries of the enlarged areas which form no part of the claimed design.

**1 Claim, 10 Drawing Sheets**



(56)

References Cited

U.S. PATENT DOCUMENTS

5,210,792 A \* 5/1993 Kajihara ..... H04M 1/05  
 379/430  
 D365,559 S \* 12/1995 Fathi ..... D14/142  
 D366,486 S \* 1/1996 Runquist ..... D14/142  
 D377,174 S \* 1/1997 Runquist ..... D14/206  
 6,101,260 A \* 8/2000 Jensen ..... H04M 1/05  
 379/430  
 6,320,960 B1 \* 11/2001 Lathrop, III ..... H04M 1/05  
 379/430  
 6,594,366 B1 \* 7/2003 Adams ..... H04B 1/3805  
 381/74  
 D505,415 S \* 5/2005 Han ..... D14/223  
 D519,497 S \* 4/2006 Komiyama ..... D14/223  
 D531,165 S \* 10/2006 Rath ..... D14/206  
 D538,261 S \* 3/2007 Taylor ..... D14/205  
 D541,255 S \* 4/2007 Taylor ..... D14/205  
 D542,774 S \* 5/2007 Rausch ..... D14/206  
 D544,650 S \* 6/2007 Westerdal ..... D29/112  
 7,292,704 B2 \* 11/2007 Lederer ..... G01R 33/283  
 381/380  
 D566,688 S \* 4/2008 Wang ..... D14/206  
 7,391,863 B2 \* 6/2008 Viduya ..... H04M 1/05  
 379/430  
 D589,932 S \* 4/2009 Komiyama ..... D14/205  
 D591,263 S \* 4/2009 Shimizu ..... D14/205  
 D602,467 S \* 10/2009 Oguro ..... D14/205  
 D602,908 S \* 10/2009 Ham ..... D14/206  
 D625,703 S \* 10/2010 Kolton ..... D14/205  
 D628,189 S \* 11/2010 Rath ..... D14/206  
 D628,554 S \* 12/2010 Tedja ..... D14/205  
 D637,579 S \* 5/2011 Hamaura ..... D14/205  
 D641,725 S \* 7/2011 Chong ..... D14/205  
 D641,727 S \* 7/2011 Krauss ..... D14/206  
 D642,554 S \* 8/2011 Schaal ..... D14/205  
 D643,405 S \* 8/2011 Rath ..... D14/206  
 D648,706 S \* 11/2011 Gresko ..... D14/205  
 D651,586 S \* 1/2012 Lee ..... D14/205  
 D651,764 S \* 1/2012 Gresko ..... A61F 11/14  
 D29/112

8,139,807 B2 \* 3/2012 Reiss ..... H04R 1/1083  
 381/371  
 D665,775 S \* 8/2012 Katsumata ..... D14/205  
 D666,168 S \* 8/2012 Rath ..... D14/206  
 D666,990 S \* 9/2012 Komiyama ..... D14/205  
 D668,240 S \* 10/2012 Brandis ..... D14/206  
 D669,450 S \* 10/2012 Katsumata ..... D14/205  
 D669,574 S \* 10/2012 Nordstrom ..... A61F 11/14  
 D14/205  
 D673,136 S \* 12/2012 Kelly ..... D14/205  
 D677,243 S \* 3/2013 Kitayama ..... D14/205  
 D683,717 S \* 6/2013 Kelly ..... D14/205  
 D685,759 S \* 7/2013 Kelly ..... D14/205  
 8,559,665 B2 \* 10/2013 Schmidt ..... H04R 1/1066  
 381/370  
 D699,702 S \* 2/2014 Chen ..... D14/205  
 D701,193 S \* 3/2014 Kelly ..... D14/205  
 D713,375 S \* 9/2014 Dedinas ..... D14/206  
 D713,376 S \* 9/2014 Dedinas ..... D14/206  
 D723,507 S \* 3/2015 Zambelli ..... D14/205  
 D729,196 S \* 5/2015 Liu ..... D14/205  
 9,036,849 B2 \* 5/2015 Thompson ..... H04R 1/083  
 381/122  
 D733,092 S \* 6/2015 Gan ..... D14/205  
 D740,256 S \* 10/2015 Carr ..... D14/206  
 D741,286 S \* 10/2015 Brennwald ..... D14/205  
 D745,860 S \* 12/2015 Logan ..... D14/206  
 D747,291 S \* 1/2016 Lee ..... D14/205  
 D753,884 S \* 4/2016 Bonney ..... D29/112  
 D754,632 S \* 4/2016 Matsumura ..... D14/205  
 D759,626 S \* 6/2016 Wagner ..... D14/205  
 D760,689 S \* 7/2016 Gecawicz ..... D14/206  
 D788,071 S \* 5/2017 Logan ..... D14/205  
 D806,675 S \* 1/2018 Fuglsang ..... D14/206  
 D824,362 S \* 7/2018 Probst ..... D14/206  
 10,026,391 B2 \* 7/2018 Lin ..... H04R 1/406  
 D828,326 S \* 9/2018 Ye ..... D14/205  
 2001/0017925 A1 \* 8/2001 Ceravolo ..... H04M 1/05  
 381/370  
 2011/0194721 A1 \* 8/2011 Schmidt ..... H04R 1/1066  
 381/370

\* cited by examiner

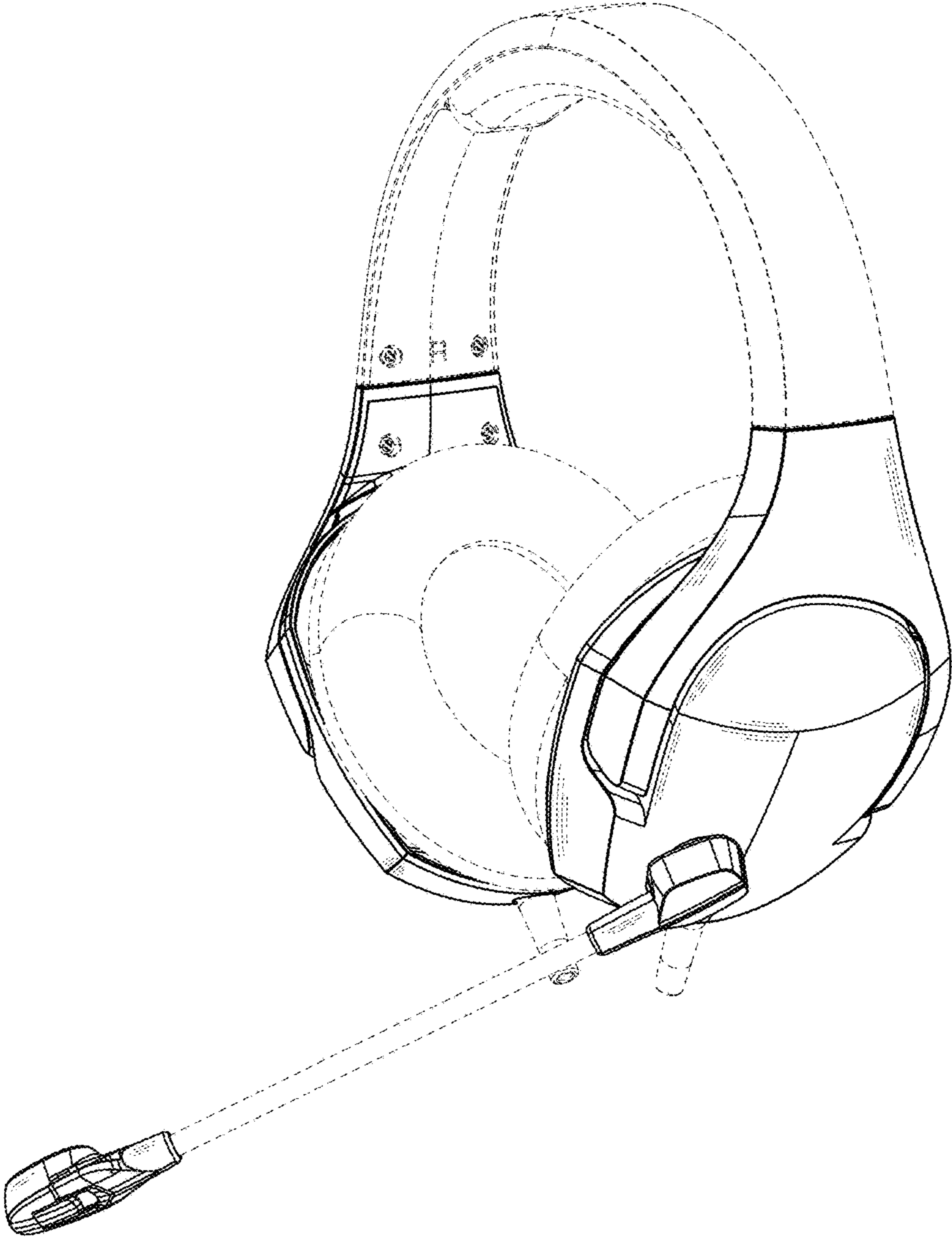


FIG.1

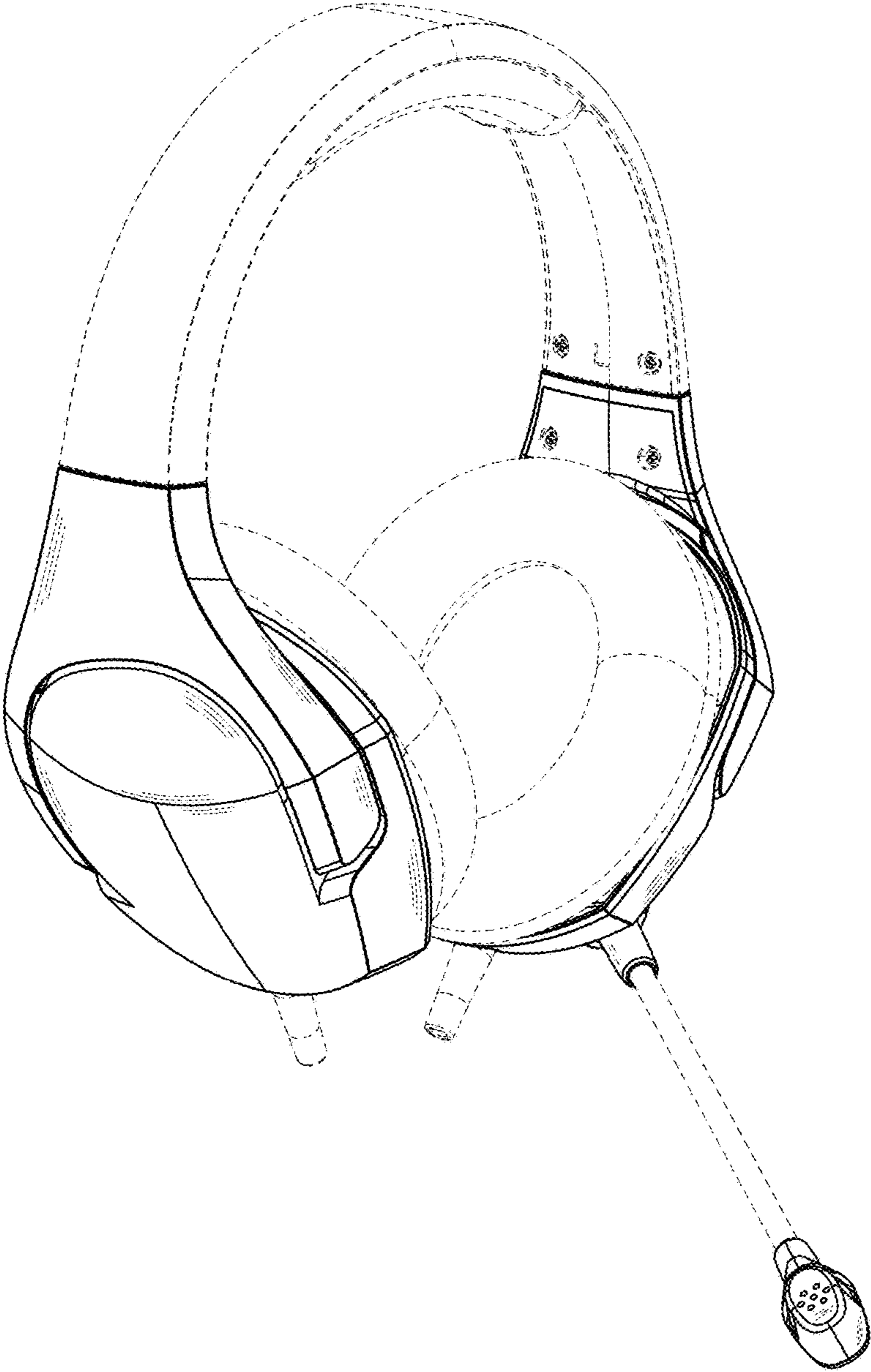


FIG. 2

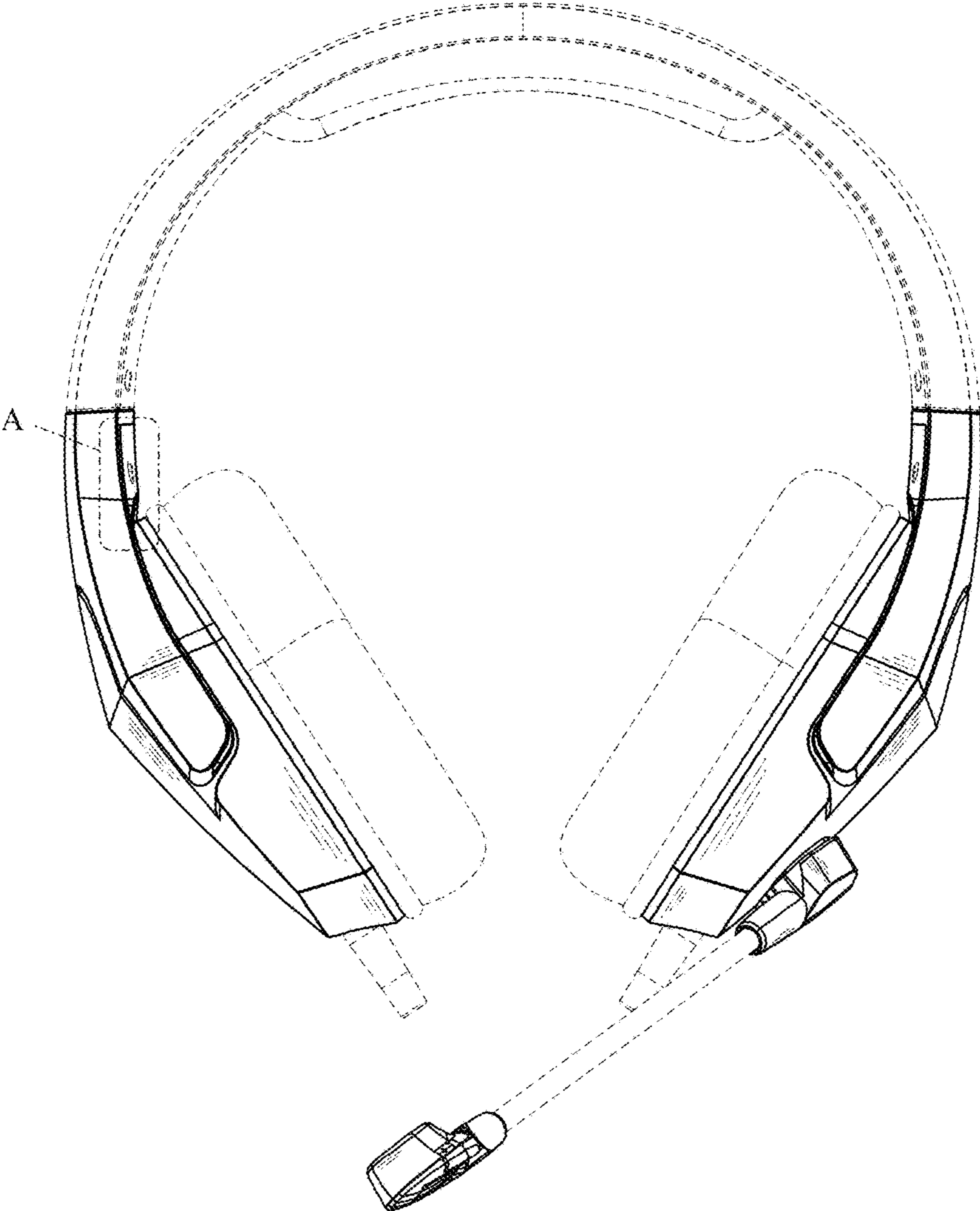


FIG.3

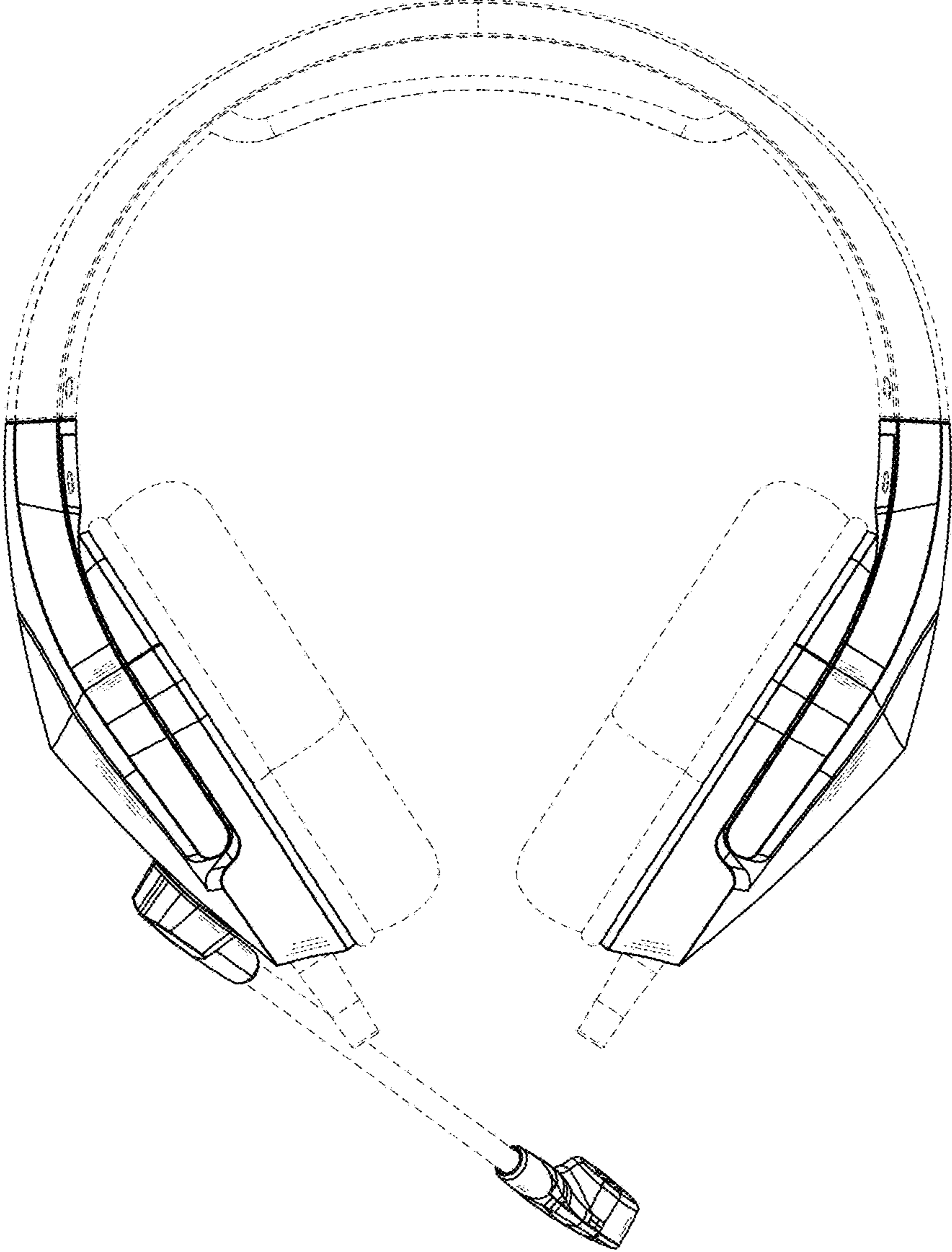


FIG.4

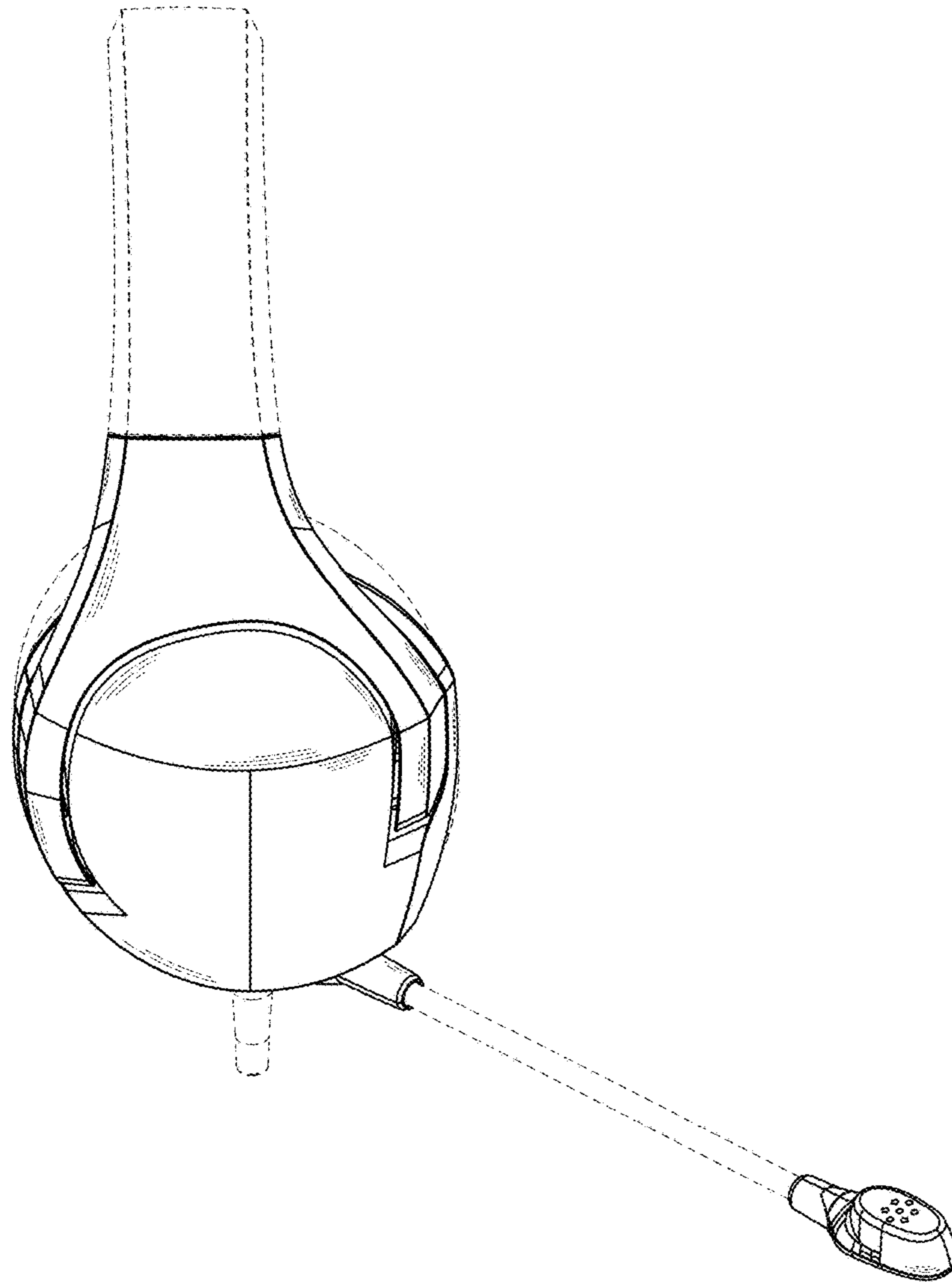


FIG.5

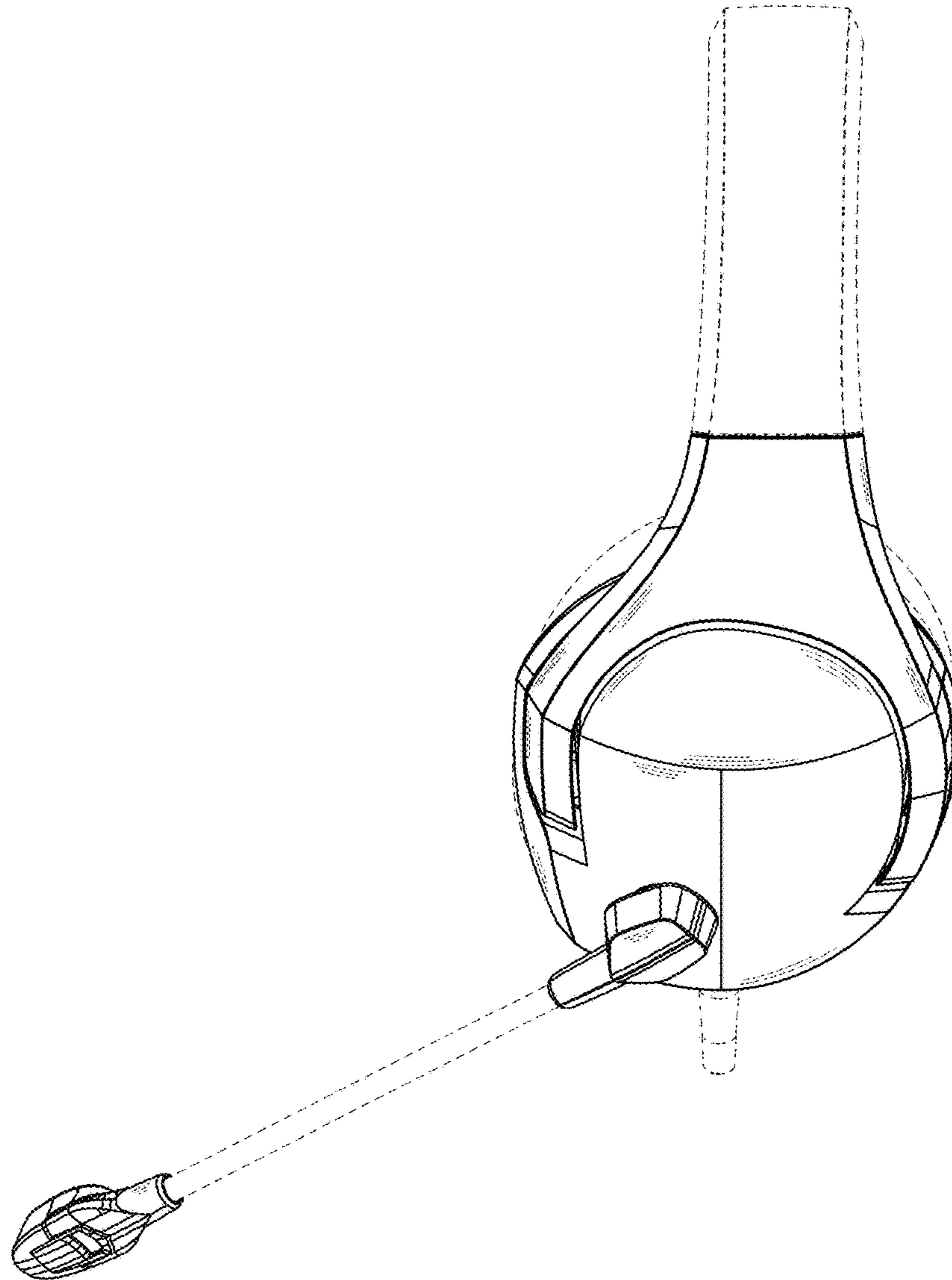


FIG.6



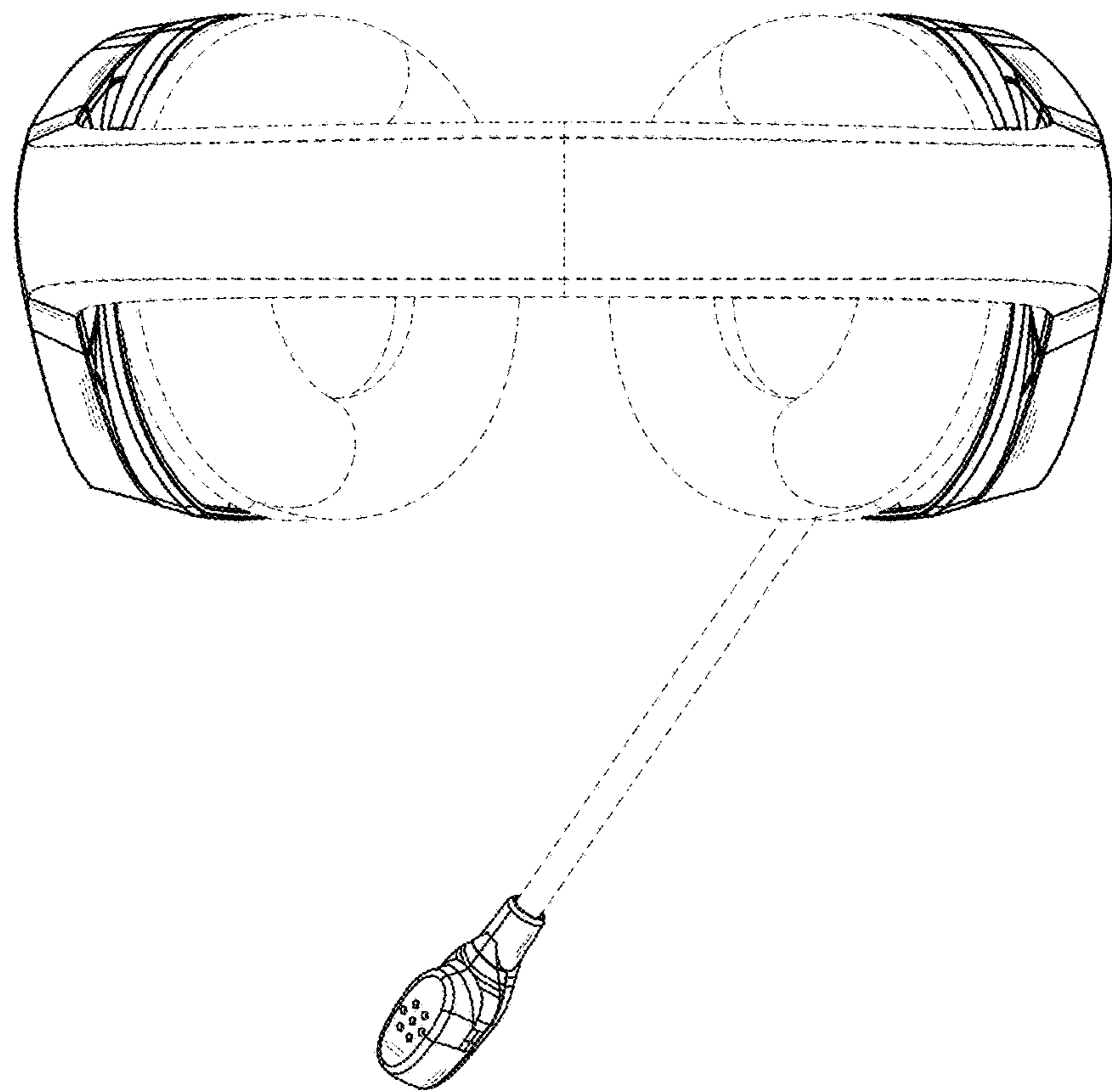


FIG.7

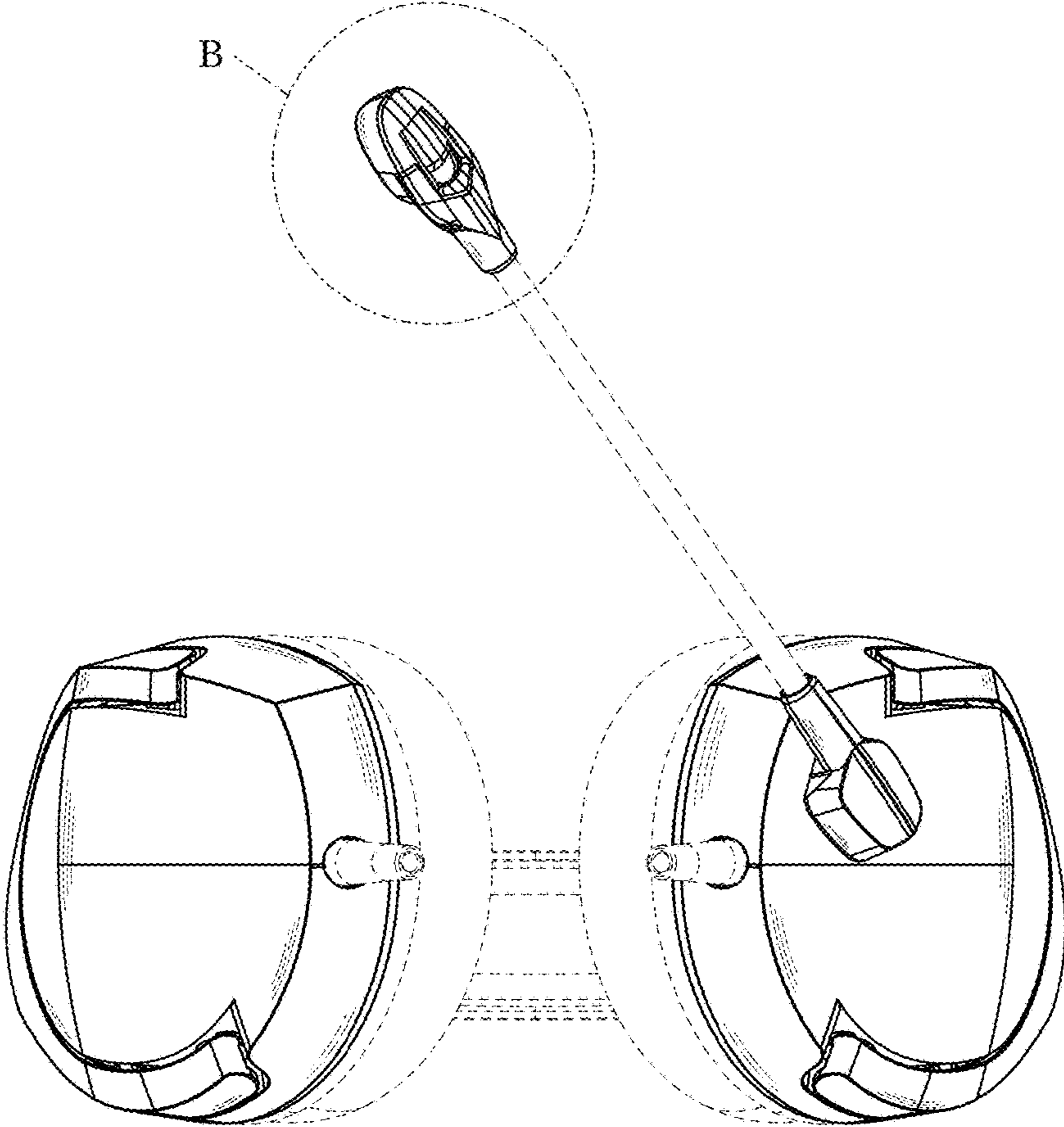


FIG.8

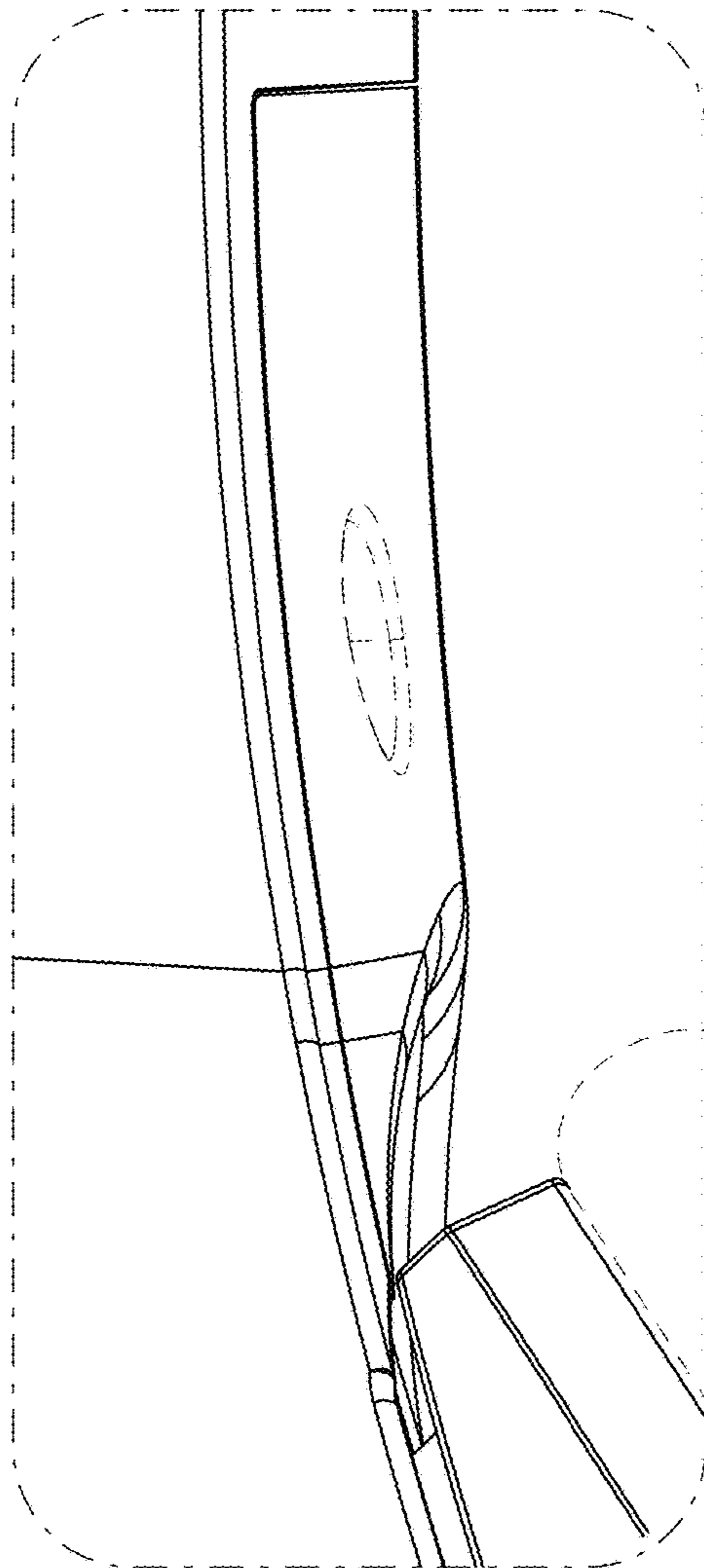


FIG.9

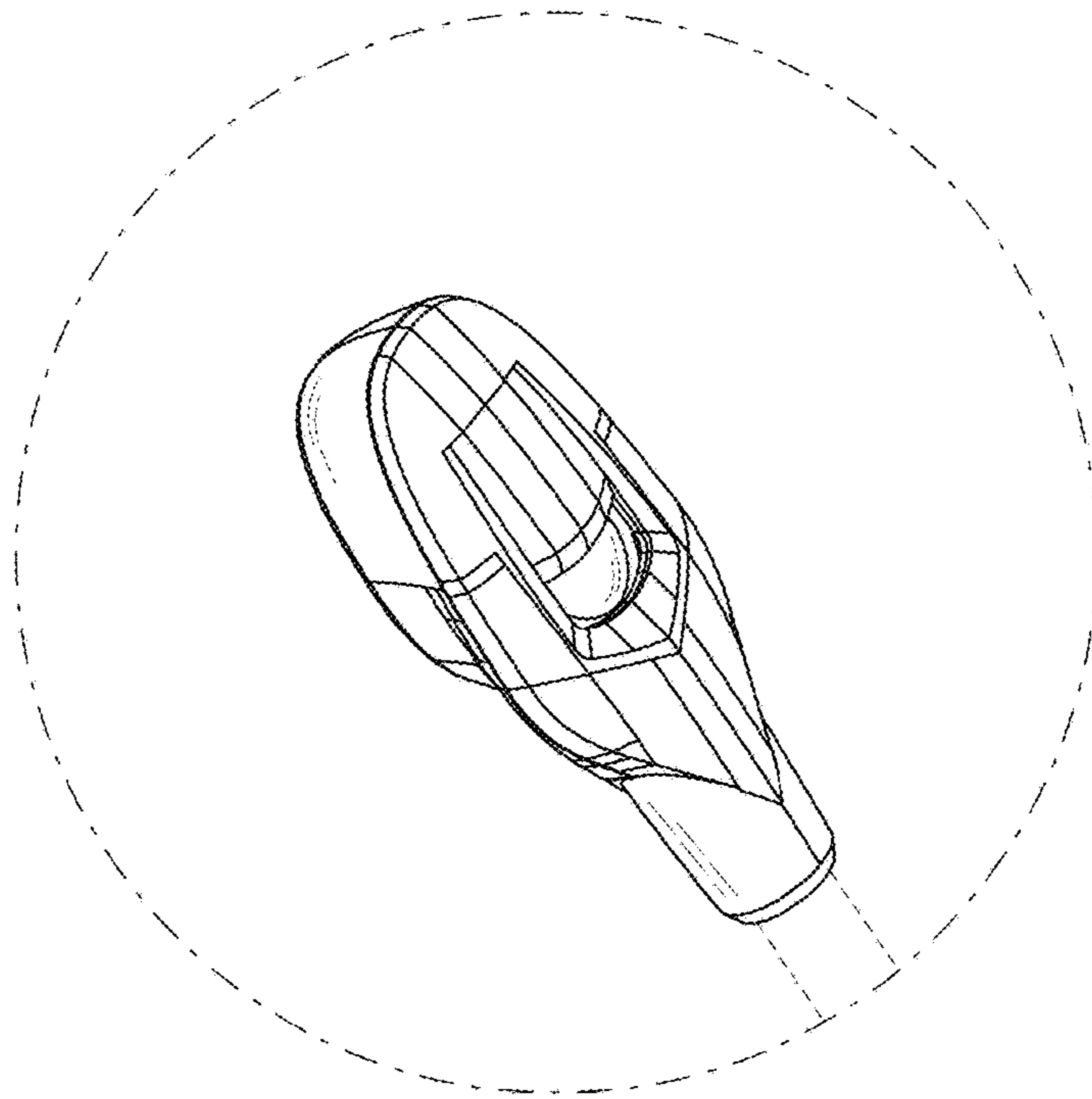


FIG.10