



US00D836599S

(12) **United States Design Patent**
Duan

(10) **Patent No.:** **US D836,599 S**
(45) **Date of Patent:** **** Dec. 25, 2018**

- (54) **WIRELESS HEADSET**
- (71) Applicant: **ShenZhen Heng Shang Pin Technology co., LTD**, Shenzhen (CN)
- (72) Inventor: **LinZhi Duan**, Shenzhen (CN)
- (73) Assignee: **SHENZHEN HENG SHANG PIN TECHNOLOGY CO., LTD**, Shenzhen (CN)
- (**) Term: **15 Years**
- (21) Appl. No.: **29/606,658**
- (22) Filed: **Jun. 6, 2017**
- (51) **LOC (11) Cl.** **14-01**
- (52) **U.S. Cl.**
USPC **D14/206**
- (58) **Field of Classification Search**
USPC D14/206, 205, 223, 225, 226; D24/174;
181/129, 130, 135; 379/430, 431;
381/380, 381, 382, 370, 375, 322, 330,
381/324, 328, 74; 455/90.3, 575.1, 569.1
CPC H04R 25/00; H04R 1/10; H04R 1/105;
H04R 1/1066; H04R 1/1016; H04R
5/033; H04R 5/0335; H04R 1/1083
See application file for complete search history.

(56) **References Cited**
U.S. PATENT DOCUMENTS

D179,150 S *	11/1956	Norris	D14/192
D251,234 S *	3/1979	Hakansson	D10/46
D295,403 S *	4/1988	Oleson	D14/225
D354,568 S *	1/1995	Araki	D24/174
D357,477 S *	4/1995	Mueller	D14/206
D384,958 S *	10/1997	Shudo	D14/206
D385,036 S *	10/1997	Nielsen	D24/174
D439,890 S *	4/2001	Skulley	D14/206
D443,603 S *	6/2001	Taylor	D14/206
D447,472 S *	9/2001	McGugan	D14/225

D447,473 S *	9/2001	Chuang	D13/151
D447,743 S *	9/2001	Ma	D14/223
D449,290 S *	10/2001	Taylor	D14/206
D451,907 S *	12/2001	Amae	D14/206
D452,857 S *	1/2002	Hong	D14/206
D455,417 S *	4/2002	Bey	D14/206
D457,635 S *	5/2002	Dittli	D24/174
D458,247 S *	6/2002	Davies	D14/206
D463,784 S *	10/2002	Taylor	D14/206
D464,943 S *	10/2002	Lai	D14/206
D464,951 S *	10/2002	Skulley	D14/142
D468,721 S *	1/2003	Nguyen	D14/205
D469,081 S *	1/2003	Perszyk	D14/205
D470,121 S *	2/2003	Nguyen	D14/205
D470,478 S *	2/2003	Kohli	D14/223
D474,171 S *	5/2003	Suzuki	D14/206
D474,178 S *	5/2003	Eroma	D14/205
D476,645 S *	7/2003	Padala	D14/223
D477,821 S *	7/2003	Bieltvedt	D14/206
D480,072 S *	9/2003	Ham	D14/223

(Continued)

Primary Examiner — Paula Allen Greene

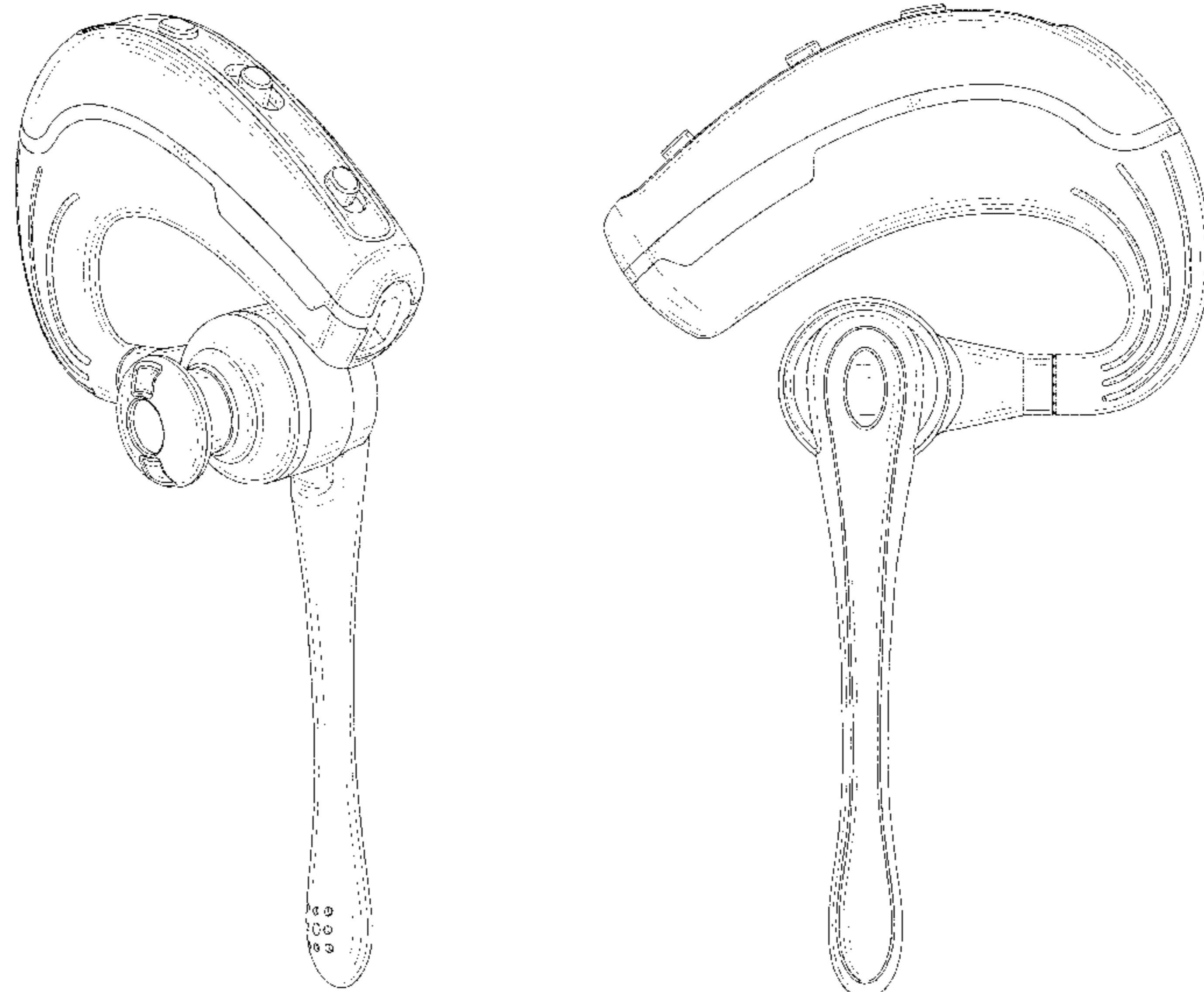
(57) **CLAIM**

The ornamental design for a wireless headset, as shown and described.

DESCRIPTION

FIG. 1 is a perspective view of a wireless headset showing my new design;
 FIG. 2 is another perspective view thereof;
 FIG. 3 is a front elevational view thereof;
 FIG. 4 is a rear elevational view thereof;
 FIG. 5 is a left side elevational view thereof;
 FIG. 6 is a right side elevational view thereof;
 FIG. 7 is a top plan view thereof; and,
 FIG. 8 is a bottom plan view thereof.
 The broken lines in the Figures are for the purpose of illustrating portions of the article that form no part of the claimed design.

1 Claim, 8 Drawing Sheets



(56)

References Cited

U.S. PATENT DOCUMENTS

D490,398 S * 5/2004 Gwee D14/205
 D490,399 S * 5/2004 Kamo D14/206
 D498,227 S * 11/2004 Dyer D14/205
 D504,419 S * 4/2005 Bey D14/223
 D504,673 S * 5/2005 Dyer D14/205
 D504,887 S * 5/2005 Skulley D14/223
 D505,413 S * 5/2005 Skulley D14/223
 D506,258 S * 6/2005 Nielsen D24/174
 D506,462 S * 6/2005 Han D14/205
 D511,156 S * 11/2005 Eroma D14/205
 D512,984 S * 12/2005 Ham D14/205
 D515,074 S * 2/2006 Jacobson D14/225
 D517,528 S * 3/2006 Skulley D14/206
 D518,473 S * 4/2006 Gwee D14/205
 D518,479 S * 4/2006 Skulley D14/225
 D519,498 S * 4/2006 Ham D14/225
 D520,496 S * 5/2006 Gwee D14/205
 D521,492 S * 5/2006 Ham D14/205
 D530,819 S * 10/2006 Jurkiewicz D24/174
 D535,980 S * 1/2007 Bentley D14/225
 D537,815 S * 3/2007 Bentley D14/206
 D539,266 S * 3/2007 Bentley D14/205
 D539,789 S * 4/2007 Rausch D14/225
 D540,778 S * 4/2007 Thompson D14/206
 D541,787 S * 5/2007 Ma D14/205
 D557,255 S * 12/2007 Shintani D14/206
 D572,234 S * 7/2008 Reda D14/205
 D581,900 S * 12/2008 Caddes D14/206
 D584,719 S * 1/2009 Brennwald D14/205
 D603,372 S * 11/2009 Bentley D14/206

D612,834 S * 3/2010 Yang D14/206
 D612,835 S * 3/2010 Yang D14/206
 D612,840 S * 3/2010 Yang D14/206
 D647,877 S * 11/2011 Son D14/206
 D653,649 S * 2/2012 Yang D14/206
 D657,347 S * 4/2012 Chung D14/206
 D667,121 S * 9/2012 Mori D24/174
 D670,267 S * 11/2012 Maddern D14/206
 D671,915 S * 12/2012 Birger D14/206
 8,374,370 B2 * 2/2013 Zhang A61B 5/121
 381/322
 D681,002 S * 4/2013 Ham D14/205
 D681,003 S * 4/2013 Ham D14/206
 D681,014 S * 4/2013 Ham D14/206
 D705,936 S * 5/2014 Lockenwitz D24/174
 D717,771 S * 11/2014 Harper D14/223
 D750,043 S * 2/2016 Birger D14/206
 9,307,311 B2 * 4/2016 Tran H04R 1/10
 D784,290 S * 4/2017 Paterson D14/205
 D784,291 S * 4/2017 Paterson D14/206
 D797,076 S * 9/2017 Zhang D14/206
 D800,692 S * 10/2017 Tan D14/206
 D804,035 S * 11/2017 Gabathuler D24/174
 D812,040 S * 3/2018 Yan D14/206
 2004/0062410 A1 * 4/2004 Wagner H04R 25/65
 381/330
 2005/0259812 A1 * 11/2005 Chen H04M 1/05
 379/431
 2013/0322646 A1 * 12/2013 Davie H04R 1/1041
 381/74
 2017/0339498 A1 * 11/2017 Vandyke H04R 25/604

* cited by examiner

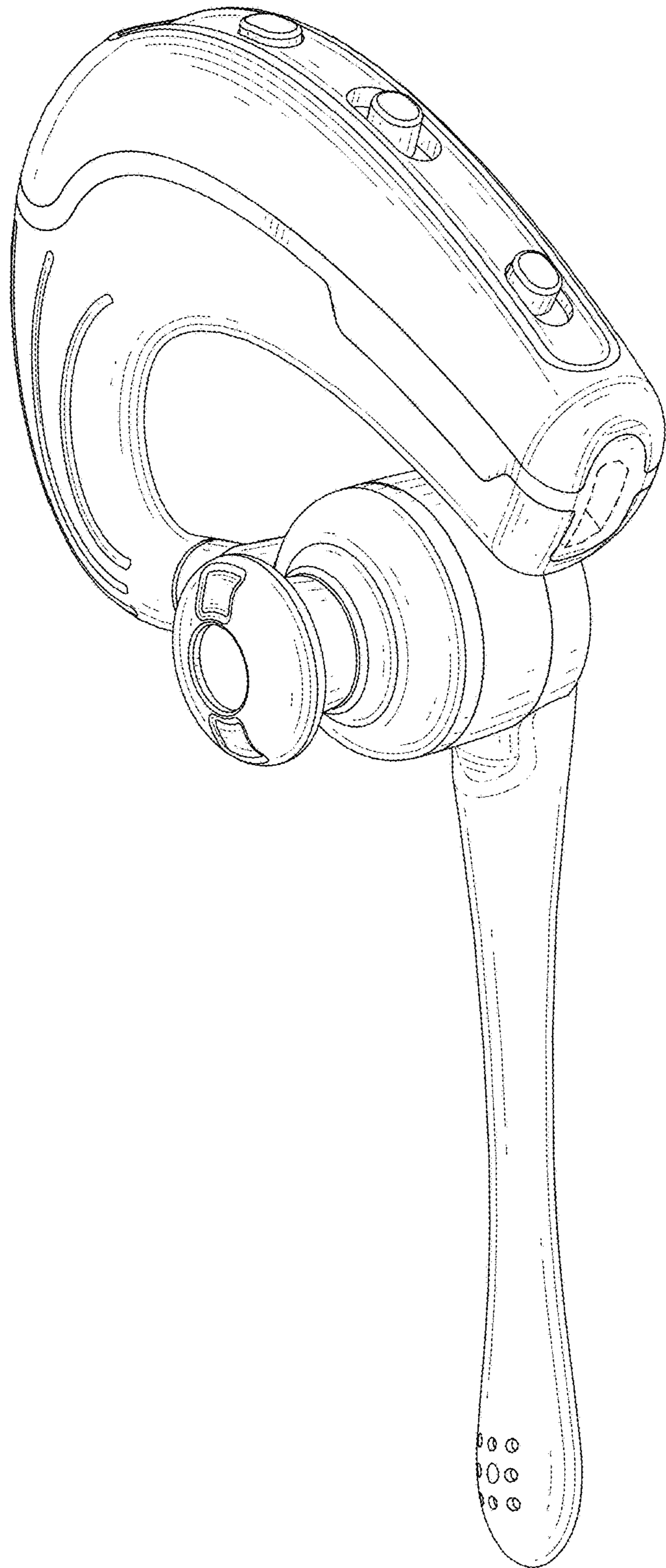


FIG. 1

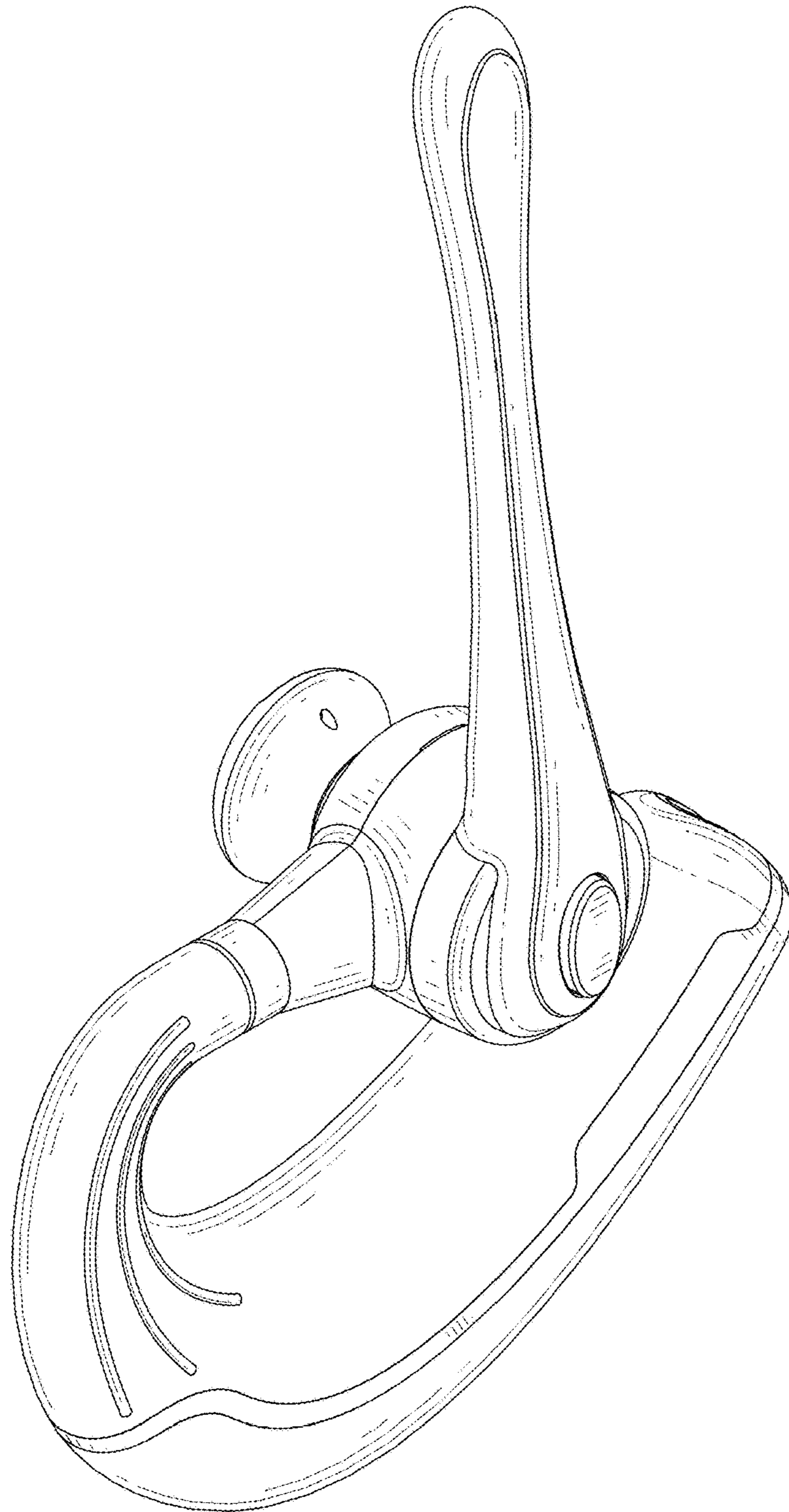


FIG. 2

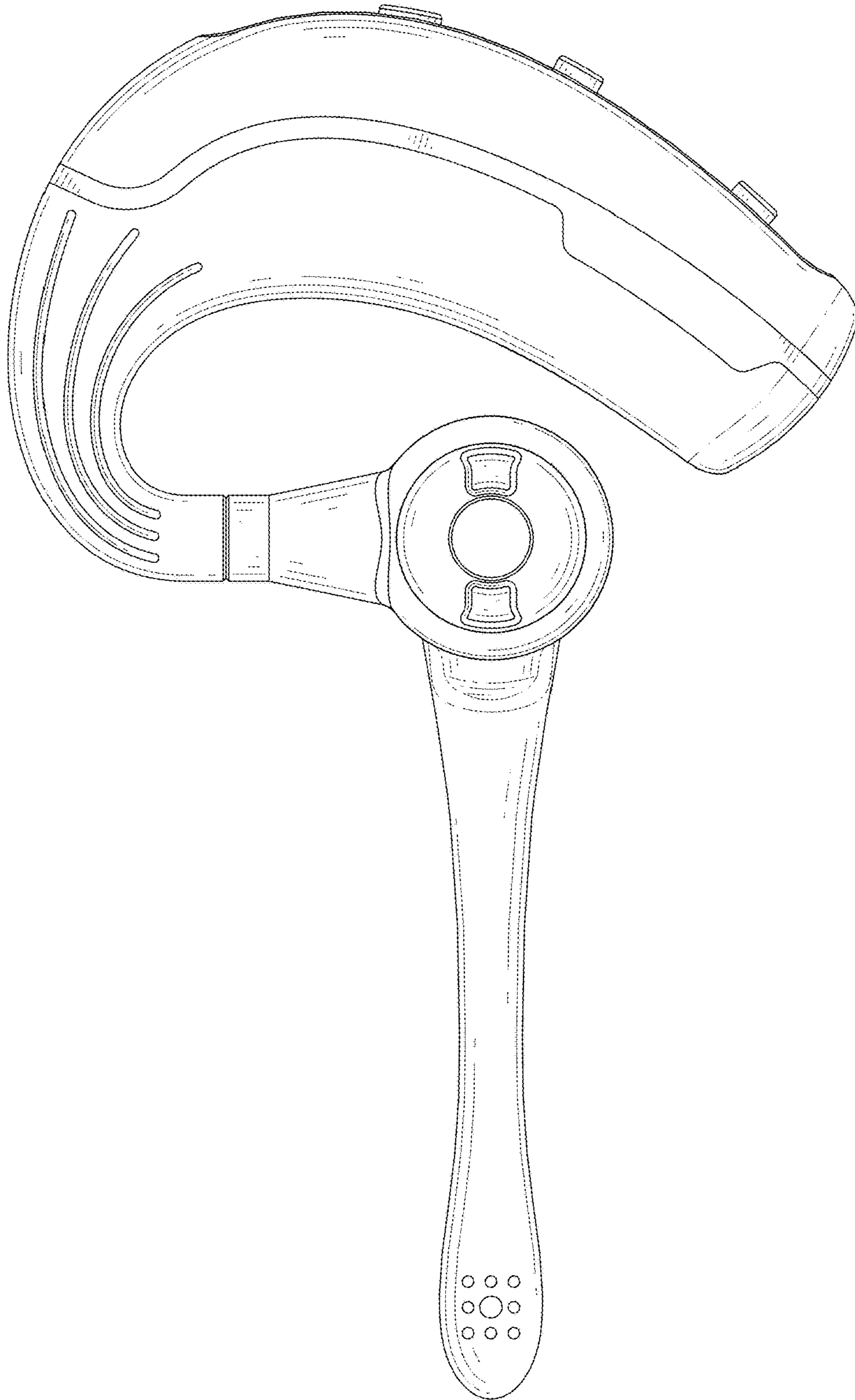


FIG. 3

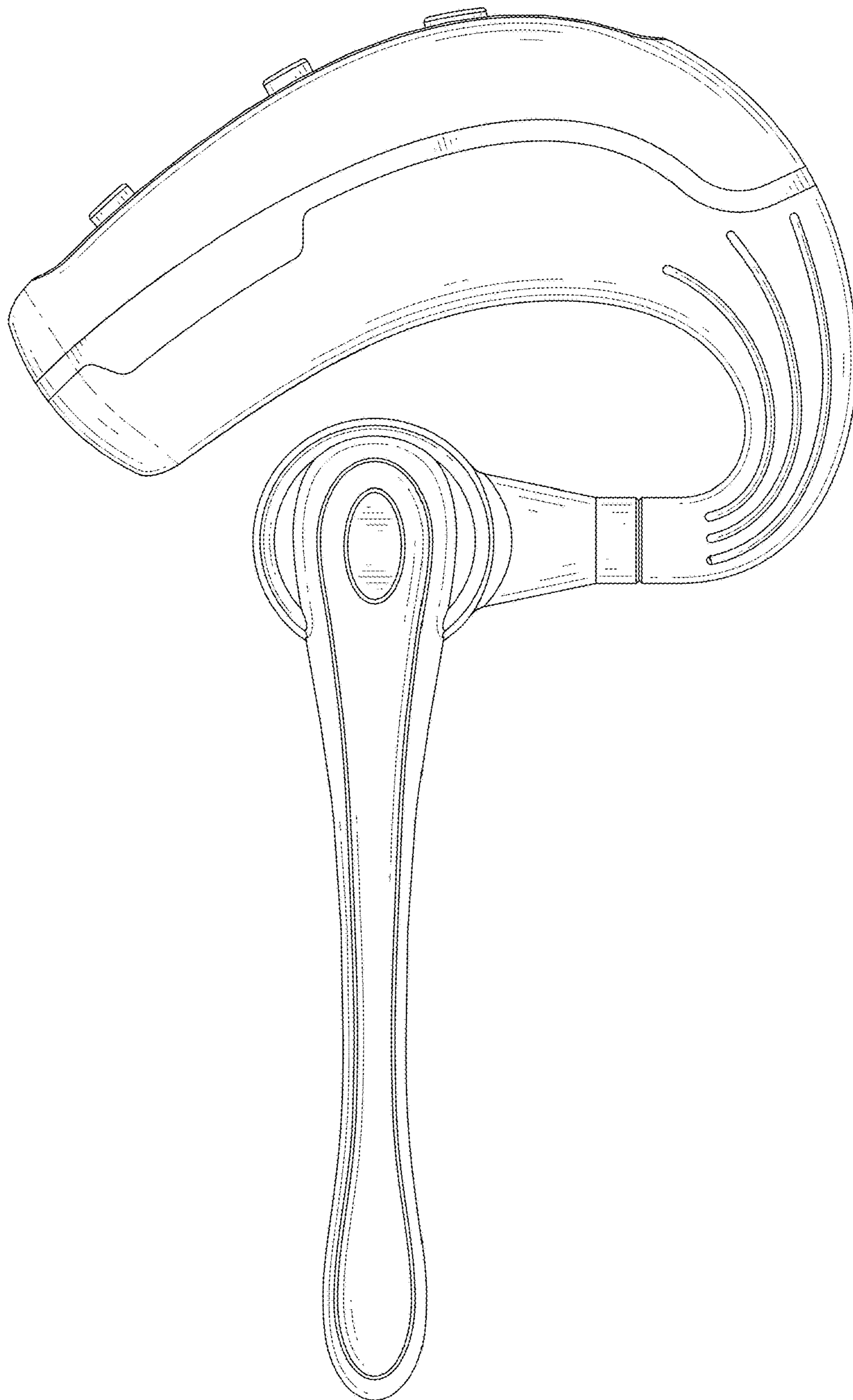


FIG. 4

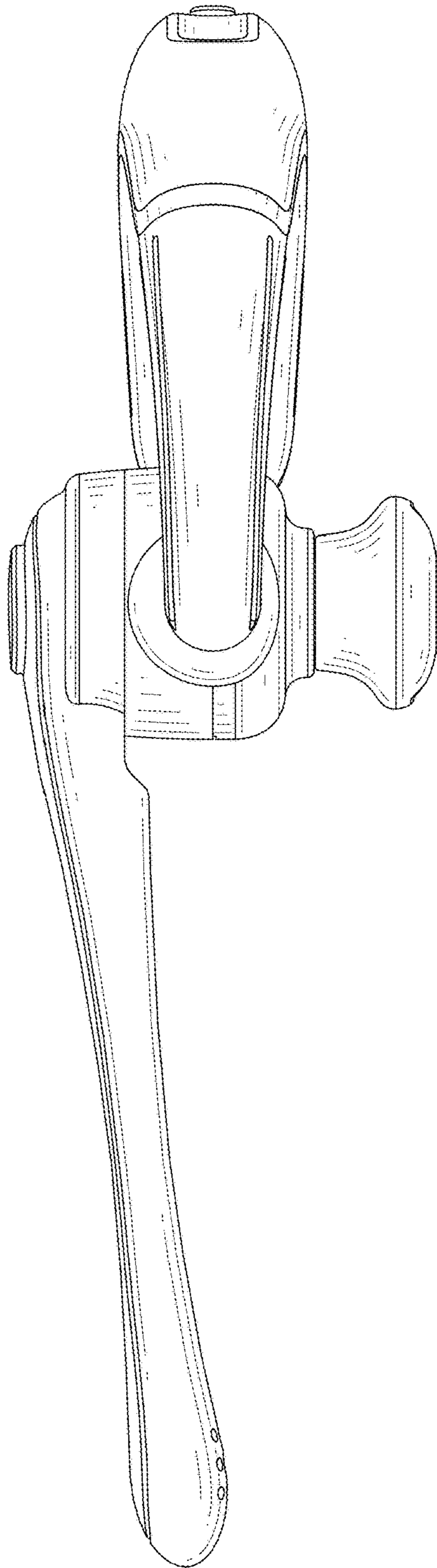


FIG. 5

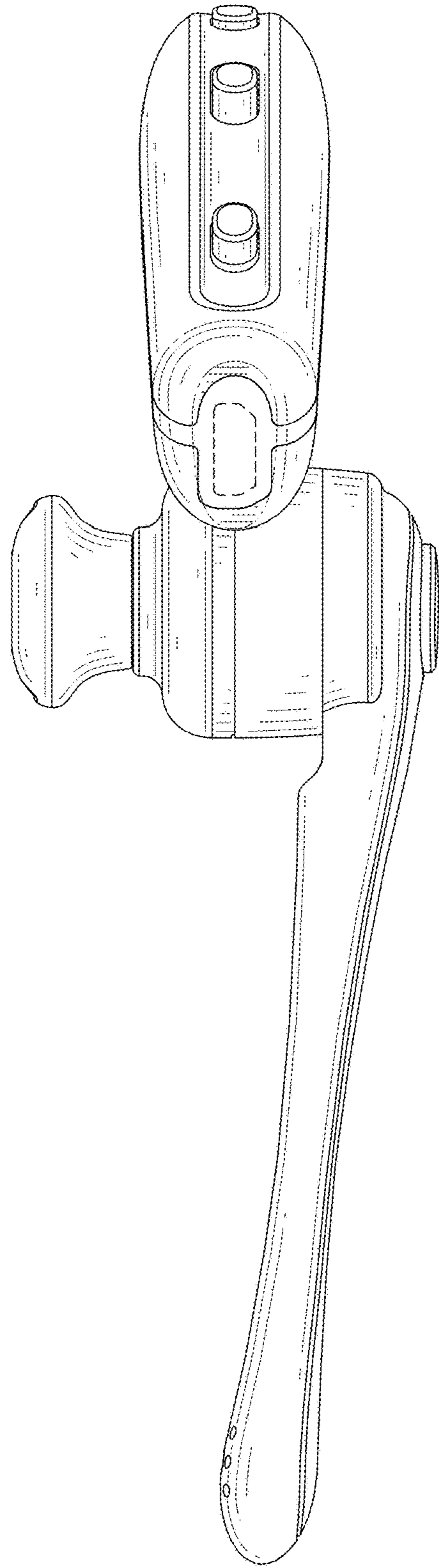


FIG. 6

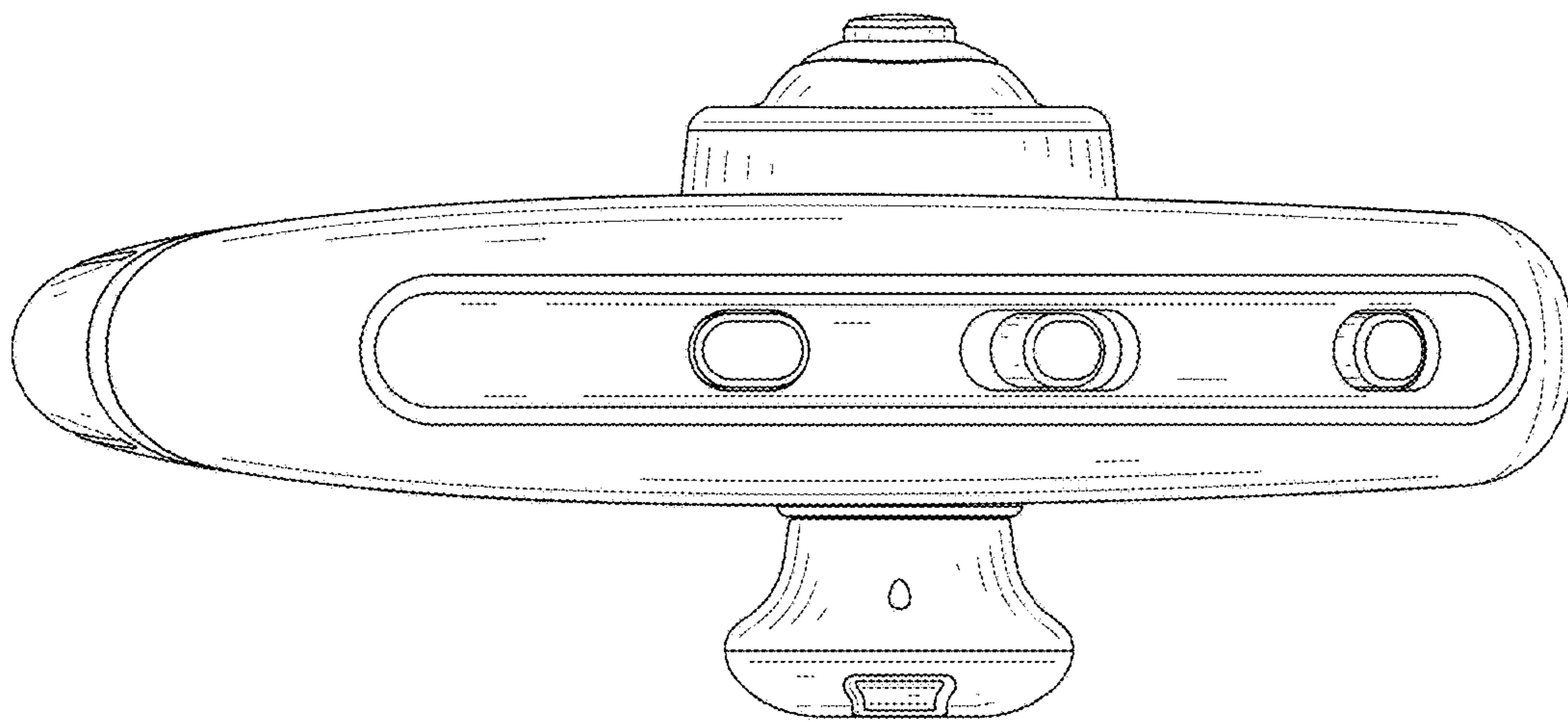


FIG. 7

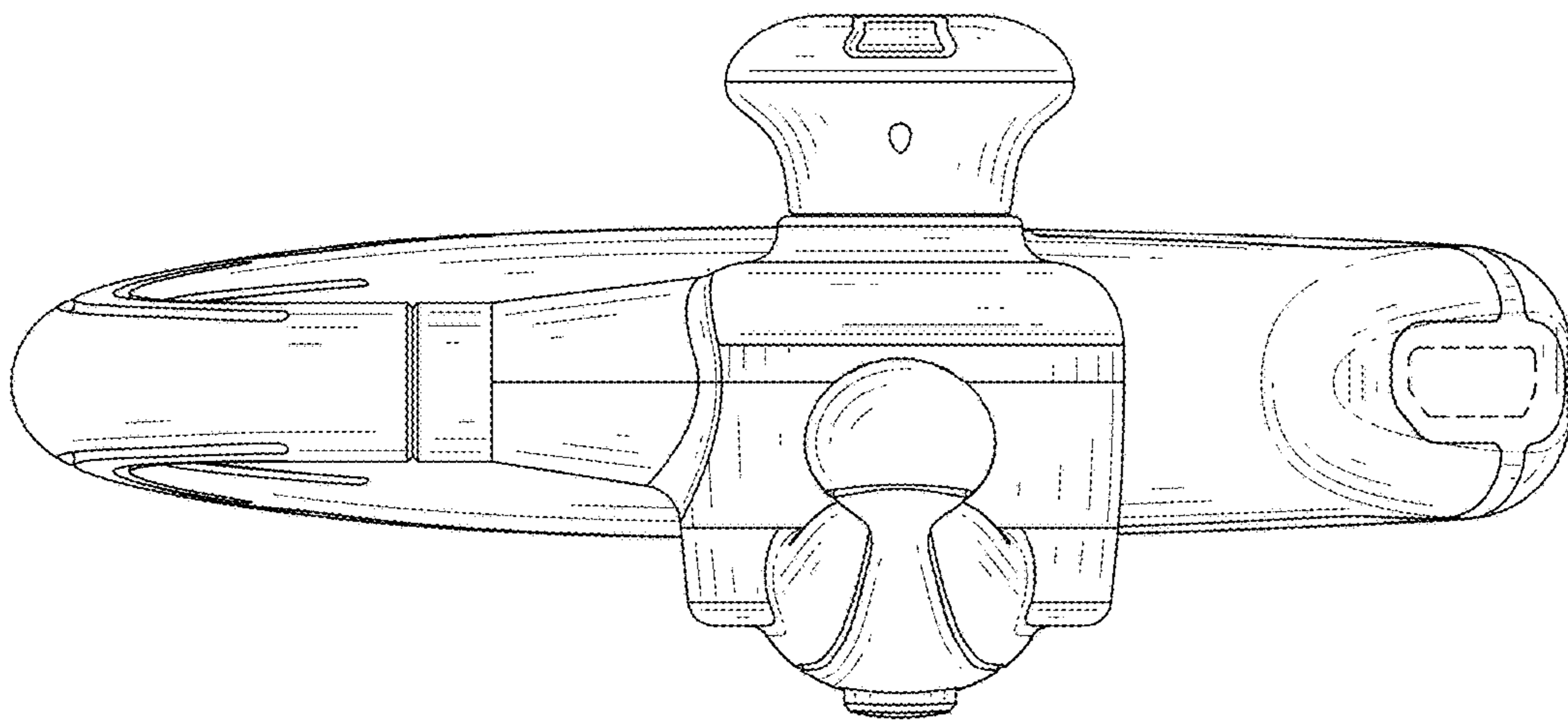


FIG. 8