



US00D836598S

(12) **United States Design Patent**  
**Chen**

(10) **Patent No.:** **US D836,598 S**

(45) **Date of Patent:** **\*\* Dec. 25, 2018**

(54) **WIRELESS SPORT EARPHONES**

(71) Applicant: **Guangbin Chen**, Guangdong (CN)

(72) Inventor: **Guangbin Chen**, Guangdong (CN)

(73) Assignee: **SHENZHEN WAHCHING TECHNOLOGY CO., LTD**, Shenzhen (CN)

(\*\*) Term: **15 Years**

(21) Appl. No.: **29/594,143**

(22) Filed: **Feb. 15, 2017**

(51) **LOC (11) Cl.** ..... **14-01**

(52) **U.S. Cl.**  
USPC ..... **D14/205**

(58) **Field of Classification Search**  
USPC ..... D14/205, 223, 218; 181/129, 130, 132, 181/135; 379/430, 431; 381/380, 381, 381/372; 455/90.3, 575.1, 569.1; D24/106, 174; 128/864, 865, 866  
CPC ..... H04R 1/10; H04R 25/00; H04R 1/105; H04R 1/1066; H04R 1/1016; H04R 1/1041; H04R 1/1033  
See application file for complete search history.

D576,154 S \* 9/2008 Ledbetter ..... D14/223  
D587,681 S \* 3/2009 Yanai ..... D14/205  
D587,685 S \* 3/2009 Densho ..... D14/206  
D594,441 S \* 6/2009 Lee ..... D14/205  
D599,778 S \* 9/2009 Ando ..... D14/205  
D614,166 S \* 4/2010 Brickstad ..... D14/205  
D614,168 S \* 4/2010 Rogers ..... D14/206  
D660,290 S \* 5/2012 Weedon ..... D14/223  
D680,102 S \* 4/2013 Chen ..... D14/223  
8,422,717 B2 \* 4/2013 Lin ..... H04R 1/1091  
181/129  
D685,764 S \* 7/2013 Coulter ..... D14/205  
D698,750 S \* 2/2014 Yoon ..... D14/205  
D715,777 S \* 10/2014 Huang ..... D14/223  
D717,275 S \* 11/2014 Burgett ..... D14/205  
D718,286 S \* 11/2014 Yang ..... D14/223  
D722,040 S \* 2/2015 Tan ..... D14/205  
D729,775 S \* 5/2015 Seo ..... D14/205  
D758,353 S \* 6/2016 Akana ..... D14/218  
D760,189 S \* 6/2016 Loh Jun Kern ..... D14/205  
D772,844 S \* 11/2016 Ott ..... D14/205  
D775,108 S \* 12/2016 Hsieh ..... D14/223  
D777,139 S \* 1/2017 Fletcher ..... D14/205  
D782,442 S \* 3/2017 Chen ..... D14/205

(Continued)

Primary Examiner — Paula Allen Greene

(57) **CLAIM**

The ornamental design for wireless sport earphones, as shown and described.

**DESCRIPTION**

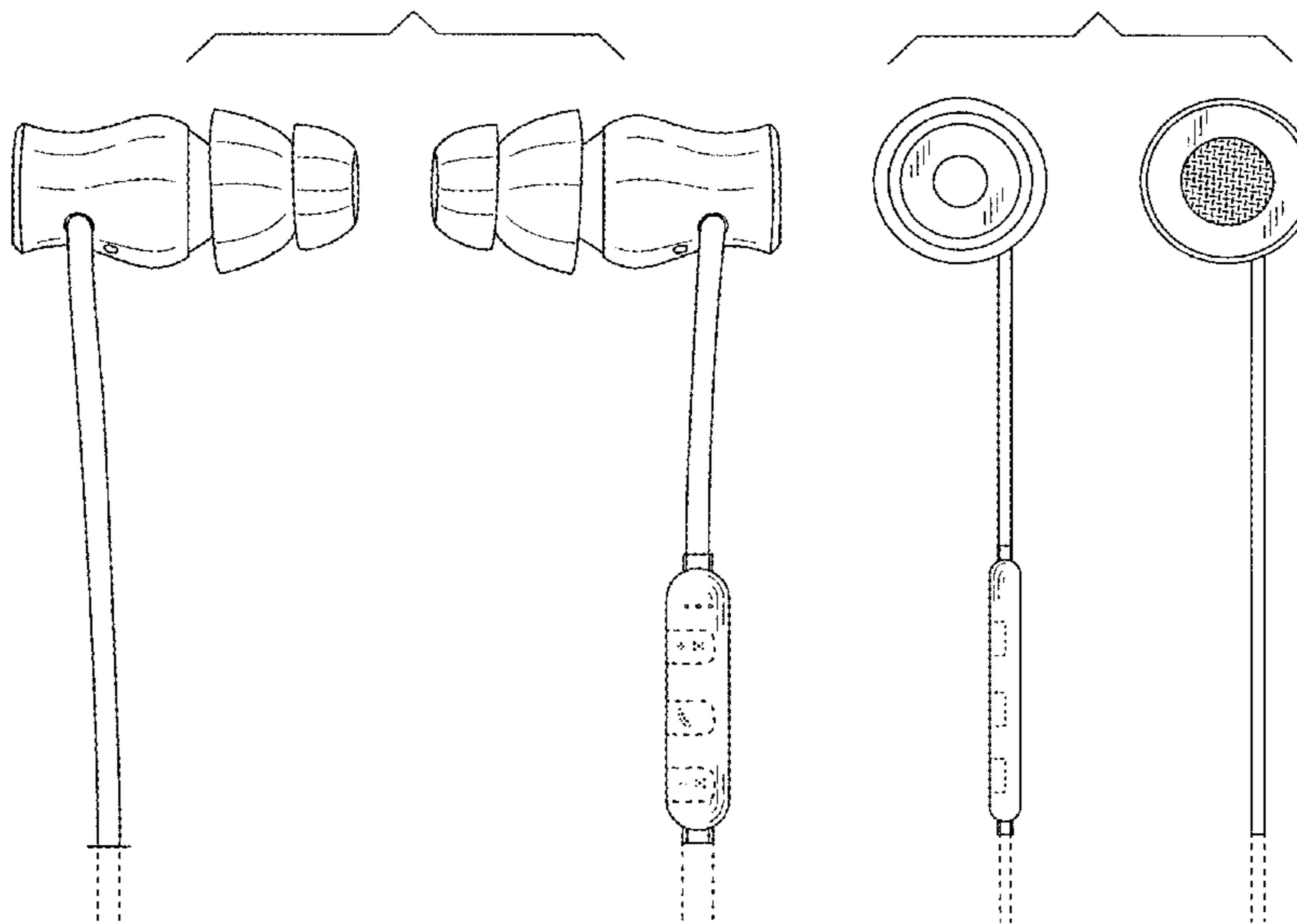
FIG. 1 is a front plan view thereof;  
FIG. 2 is a back plan view thereof;  
FIG. 3 is an elevational view thereof;  
FIG. 4 is an elevational view thereof;  
FIG. 5 is a top plan view thereof;  
FIG. 6 is a bottom plan view thereof; and,  
FIG. 7 is a perspective view thereof.  
The broken line showing depict environment that forms no part of the claimed design.

**1 Claim, 7 Drawing Sheets**

(56) **References Cited**

U.S. PATENT DOCUMENTS

2,430,229 A \* 11/1947 Kelsey ..... H04R 1/1058  
181/130  
D259,279 S \* 5/1981 Takeda ..... D24/106  
4,588,867 A \* 5/1986 Konomi ..... H04R 1/46  
379/430  
D427,304 S \* 6/2000 Magidson ..... D24/106  
D468,301 S \* 1/2003 Fushimi ..... D14/223  
D567,217 S \* 4/2008 Kamo ..... D14/205  
D569,841 S \* 5/2008 Chung ..... D14/205  
D573,978 S \* 7/2008 Ledbetter ..... D14/205



(56)

**References Cited**

U.S. PATENT DOCUMENTS

2008/0166003 A1\* 7/2008 Hankey ..... H01H 9/0228  
381/370  
2010/0104126 A1\* 4/2010 Greene ..... H01B 7/225  
381/384  
2011/0044487 A1\* 2/2011 Nault ..... H04R 1/1033  
381/380  
2014/0138150 A1\* 5/2014 Huang ..... H04R 1/1033  
174/71 R  
2017/0134845 A1\* 5/2017 Milam ..... H04R 1/1041

\* cited by examiner

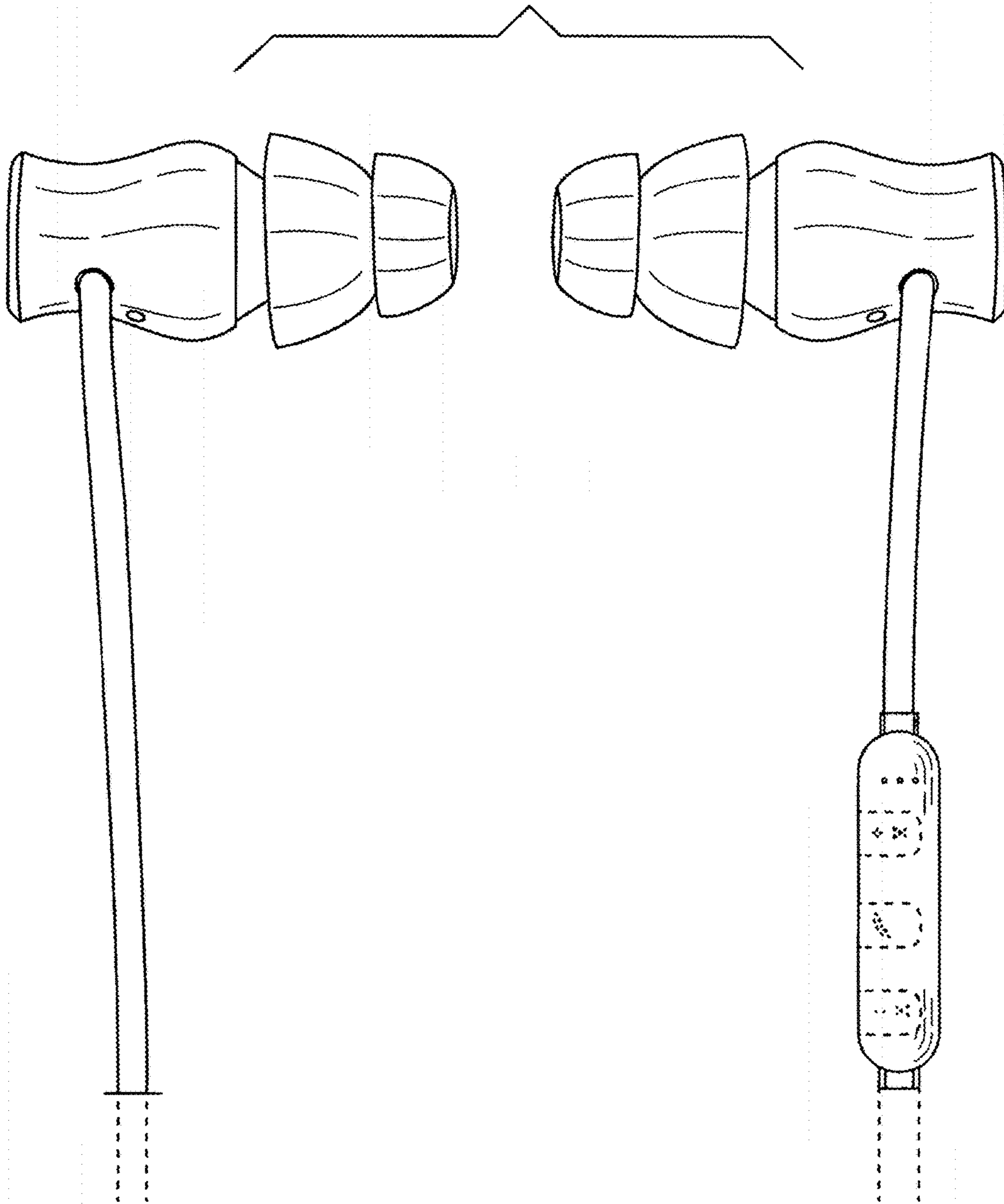


FIG. 1

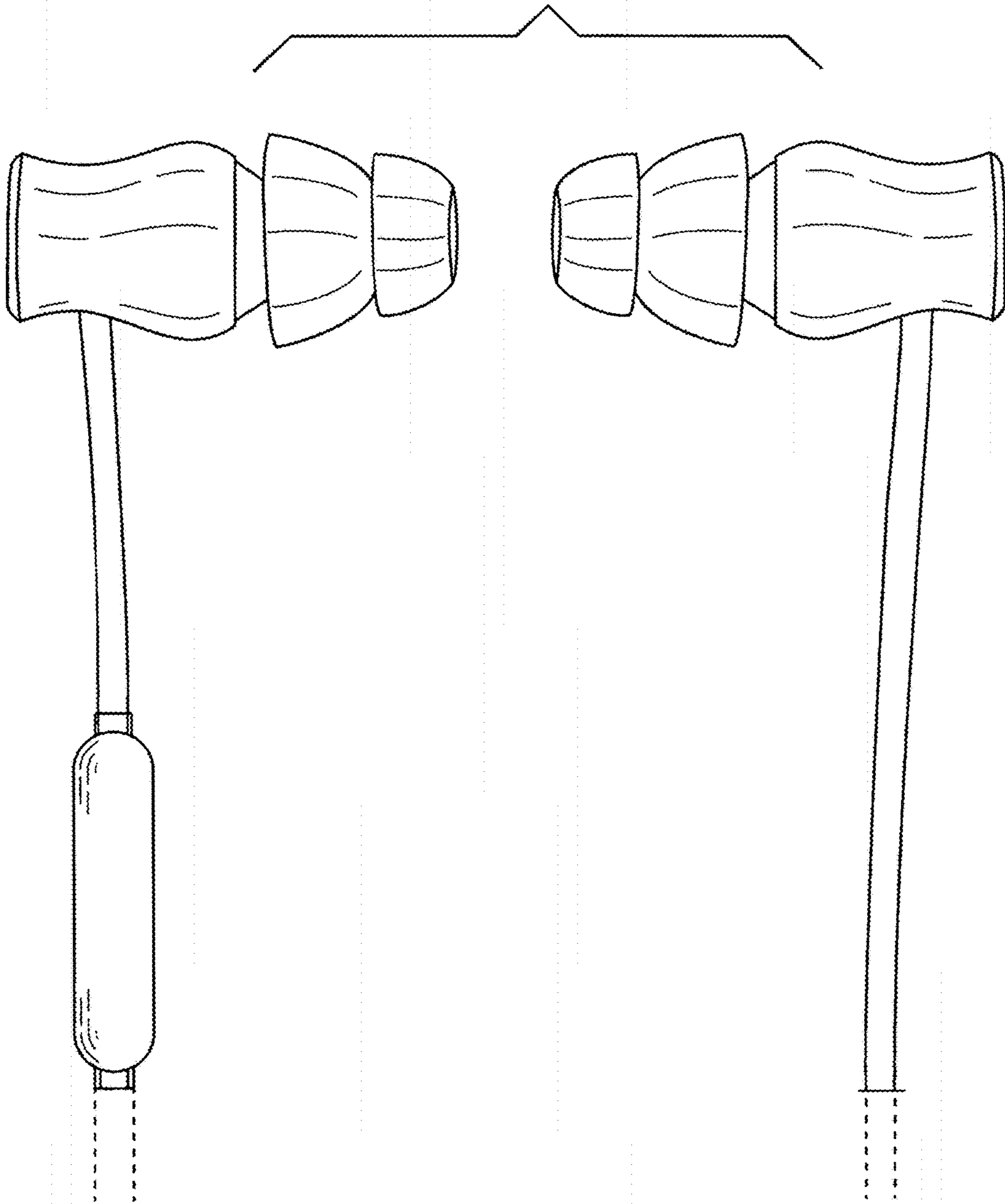


FIG.2

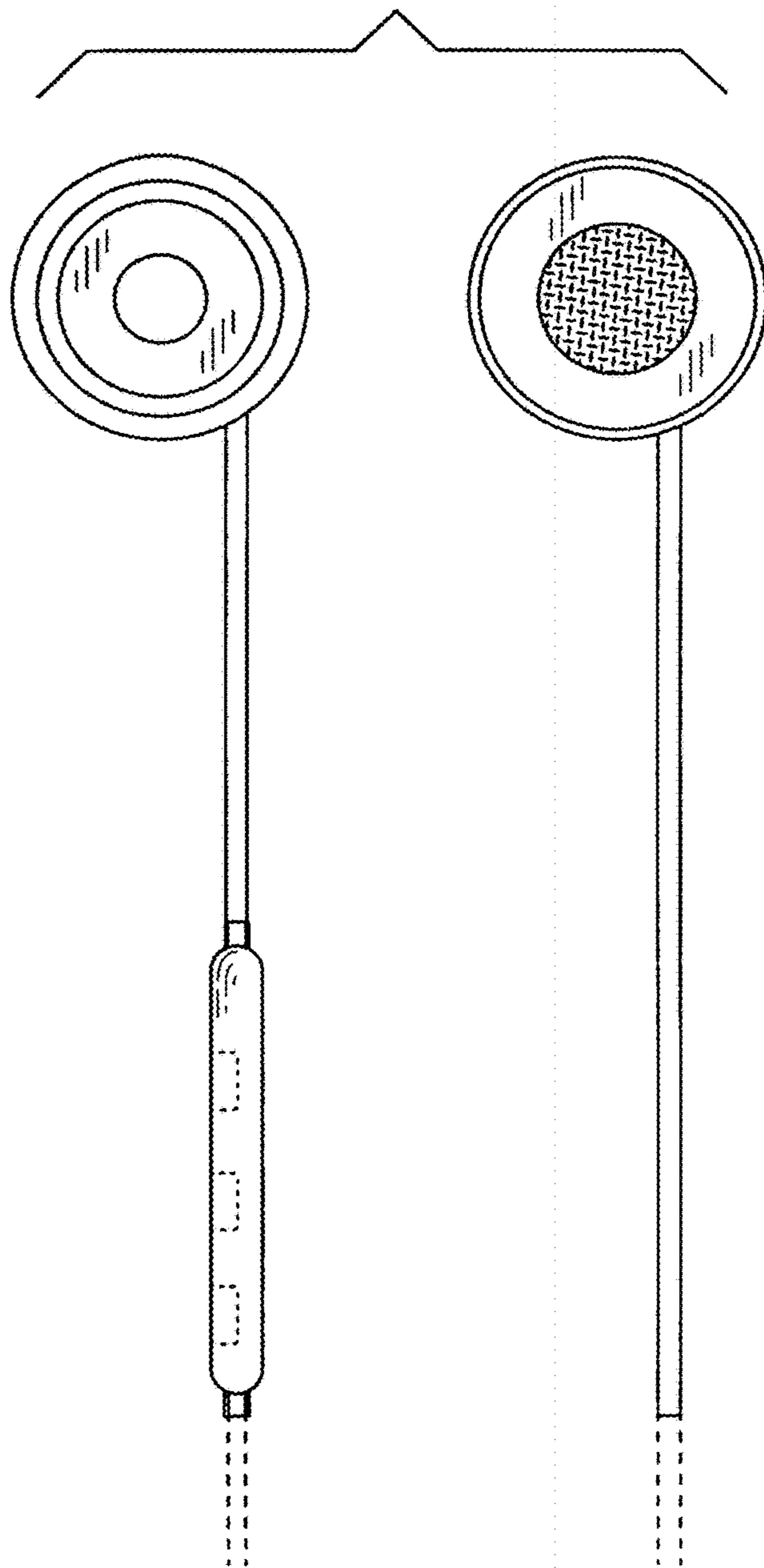


FIG.3

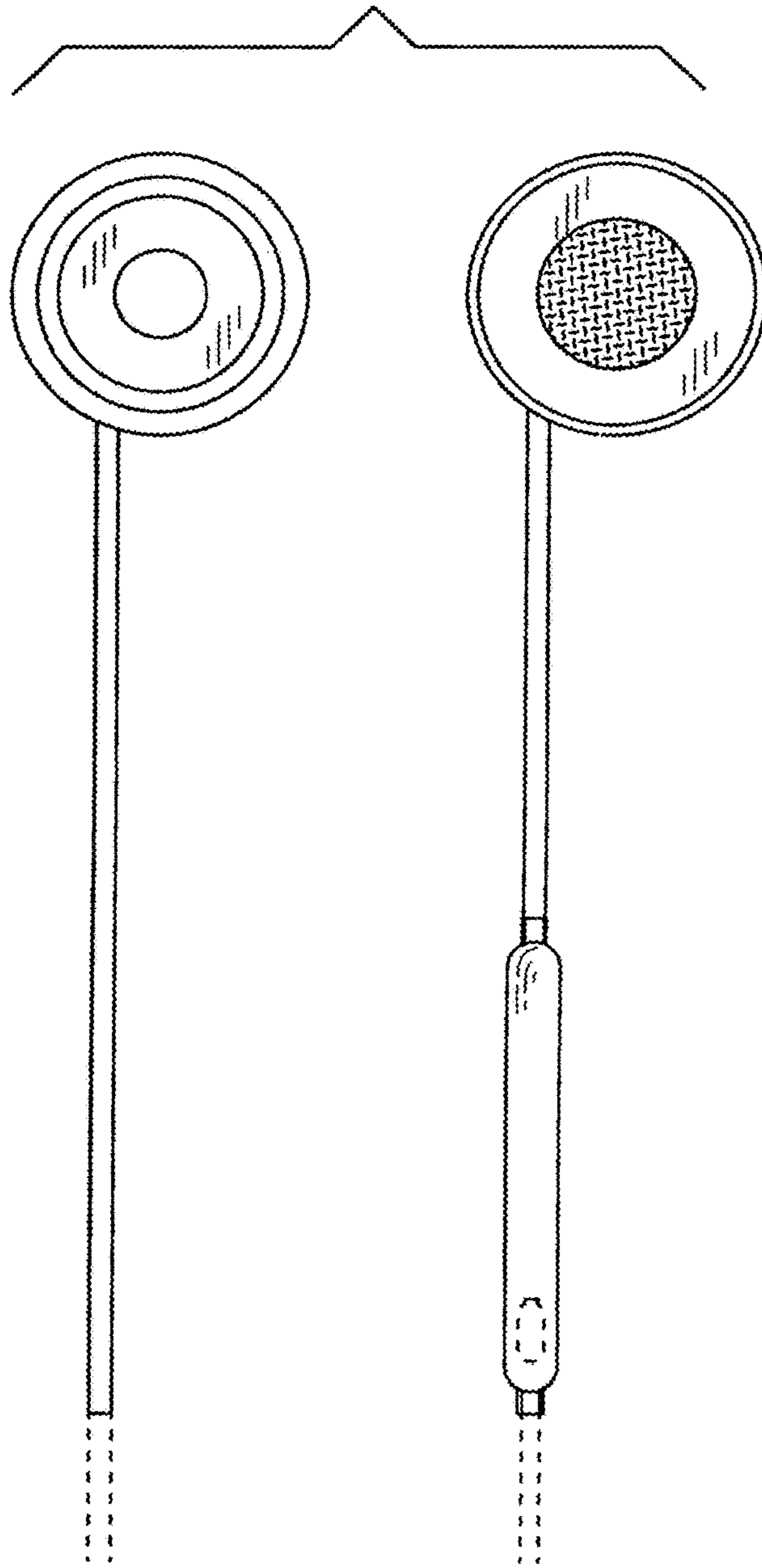


FIG.4

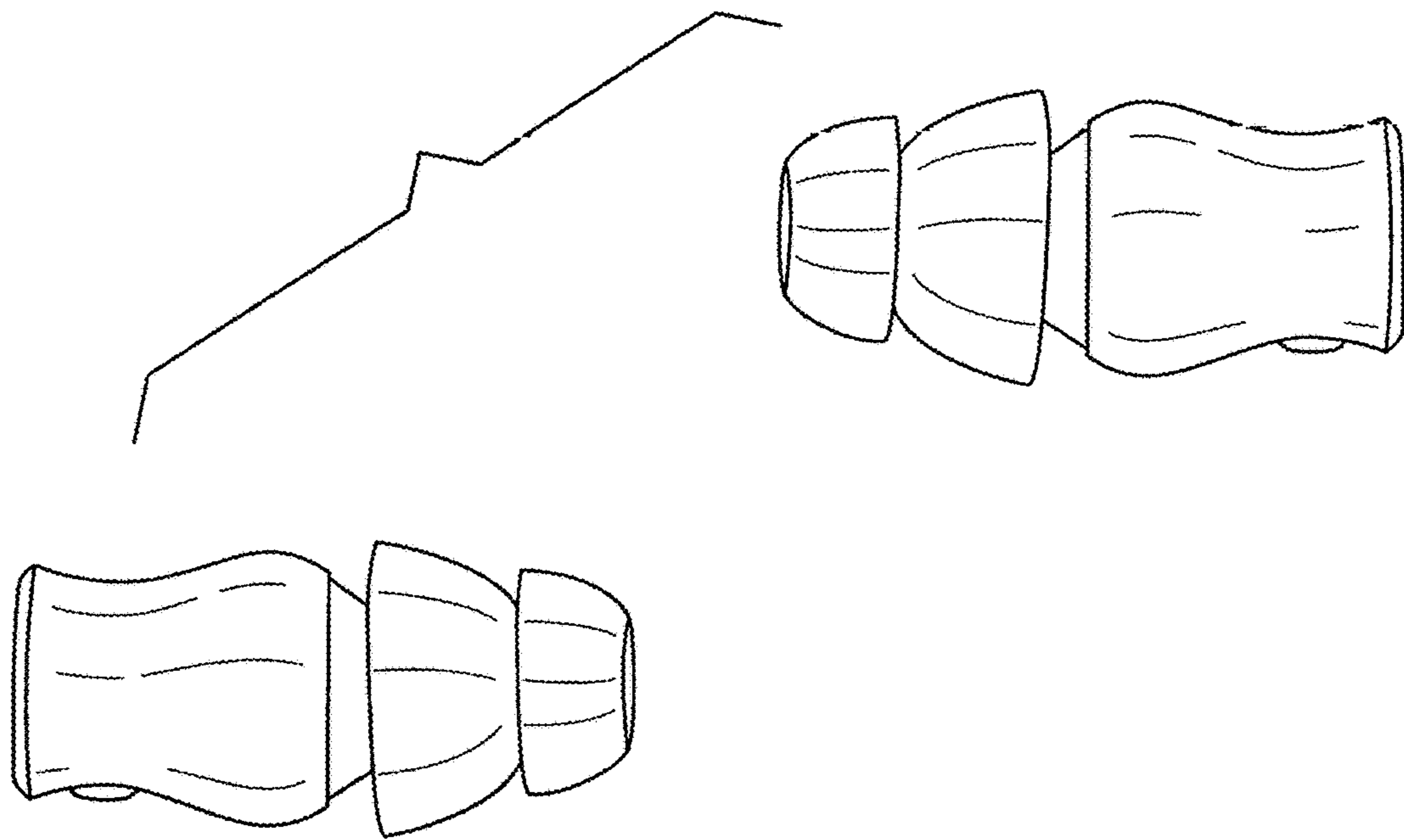


FIG.5

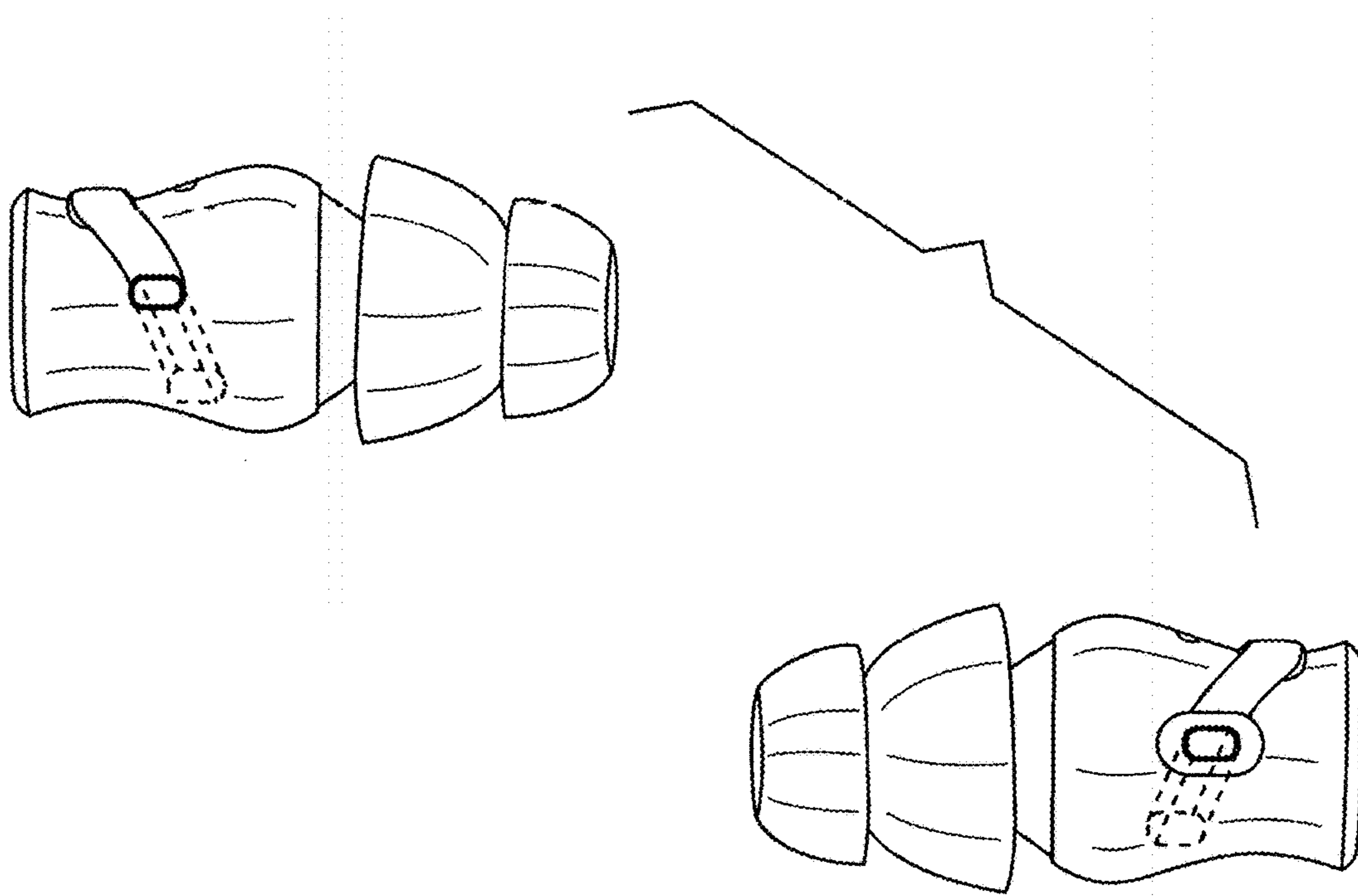


FIG.6



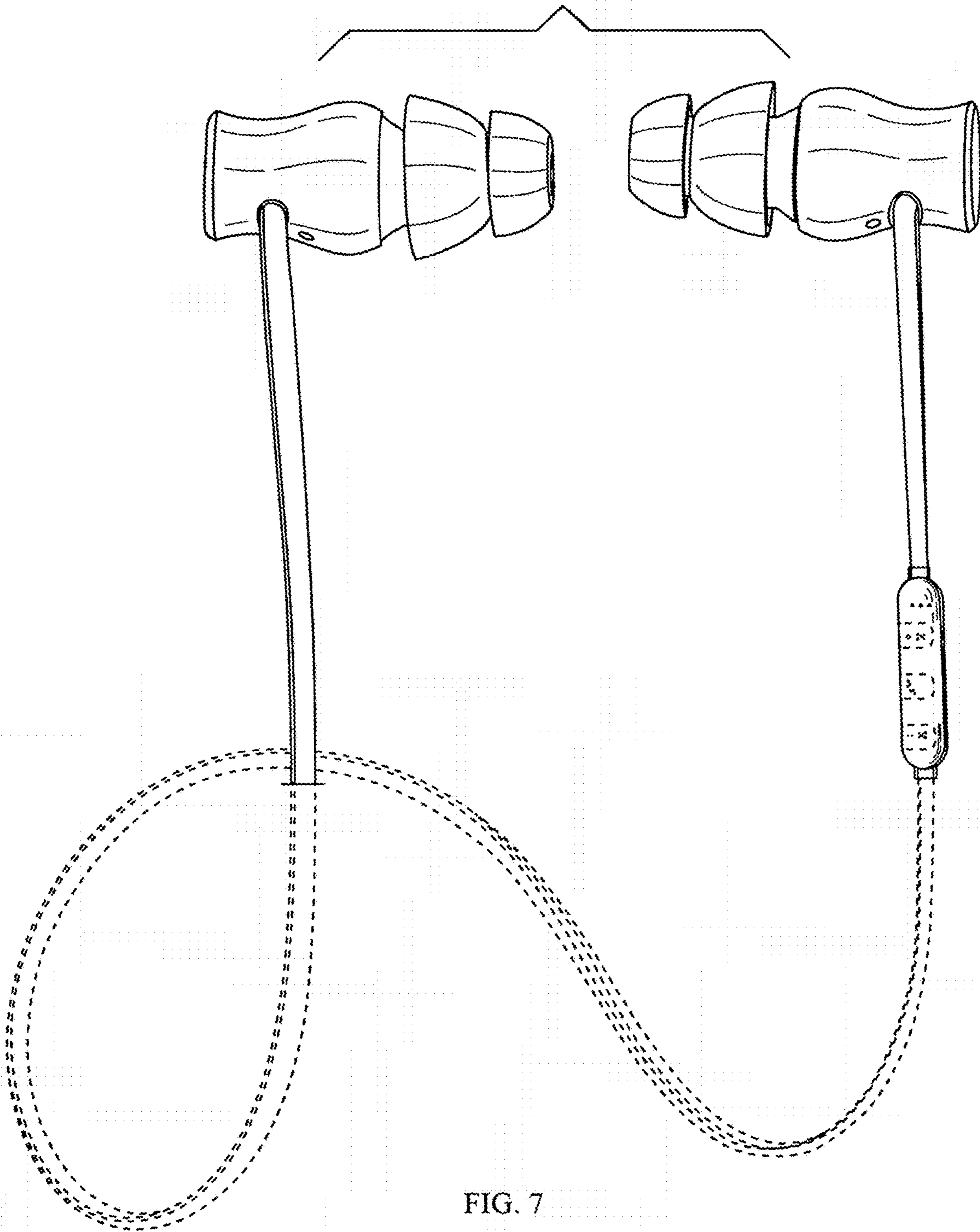


FIG. 7