



US00D836595S

(12) **United States Design Patent** (10) **Patent No.:** **US D836,595 S**  
**DeLuna et al.** (45) **Date of Patent:** **\*\* Dec. 25, 2018**

(54) **LOUDSPEAKER**  
(71) Applicant: **Harman International Industries, Incorporated**, Northridge, CA (US)  
(72) Inventors: **Tomas DeLuna**, Detroit, MI (US); **Gavzhang Zhang**, Shanghai (CN)  
(73) Assignee: **Harman International Industries, Incorporated**, Northridge, CA (US)

(\*\*) Term: **15 Years**

(21) Appl. No.: **29/589,279**

(22) Filed: **Dec. 29, 2016**

(51) **LOC (11) Cl.** ..... **14-01**

(52) **U.S. Cl.**  
USPC ..... **D14/204**

(58) **Field of Classification Search**  
USPC .... D14/188, 204, 209.1, 210–215, 348, 349, D14/352, 498–505; 181/143, 144, 148, 181/153, 157, 198, 199; 369/6–12; 381/300–303, 361–364, 366, 386–388  
CPC ..... H04R 1/02; H04R 1/021; H04R 1/025; H04R 1/026; H04R 1/028; H04R 1/403; H04R 1/2803; H04R 1/2834; H04R 5/02; H04R 9/06; H04R 19/013; H04R 2400/00  
See application file for complete search history.

(56) **References Cited**

**U.S. PATENT DOCUMENTS**

D222,072 S \* 9/1971 Levitt ..... D14/211  
D430,142 S \* 8/2000 Kuo ..... D14/211

D547,747 S \* 7/2007 Allen ..... D14/211  
D548,860 S \* 8/2007 Wang ..... D26/28  
D597,532 S \* 8/2009 Wang ..... D14/211  
D639,273 S \* 6/2011 Chow ..... D14/209.1  
D645,846 S \* 9/2011 Mordechai ..... D14/216  
D736,743 S \* 8/2015 Kowaki ..... D14/215  
2008/0137880 A1 \* 6/2008 Mills ..... H04R 1/026  
381/79

\* cited by examiner

*Primary Examiner* — Derrick E Holland

*Assistant Examiner* — Janice Patyk

(74) *Attorney, Agent, or Firm* — Plumsea Law Group, LLC

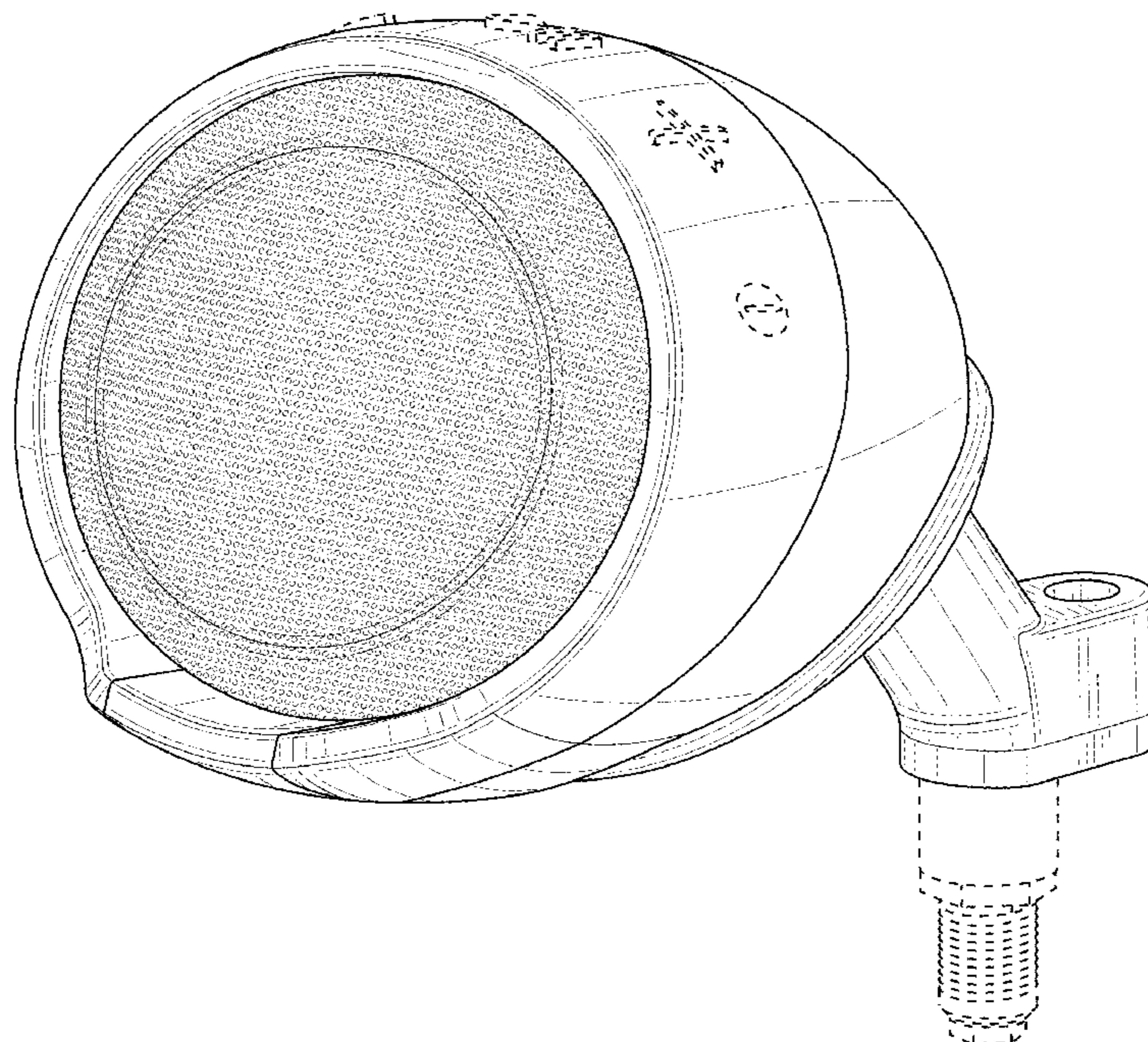
(57) **CLAIM**

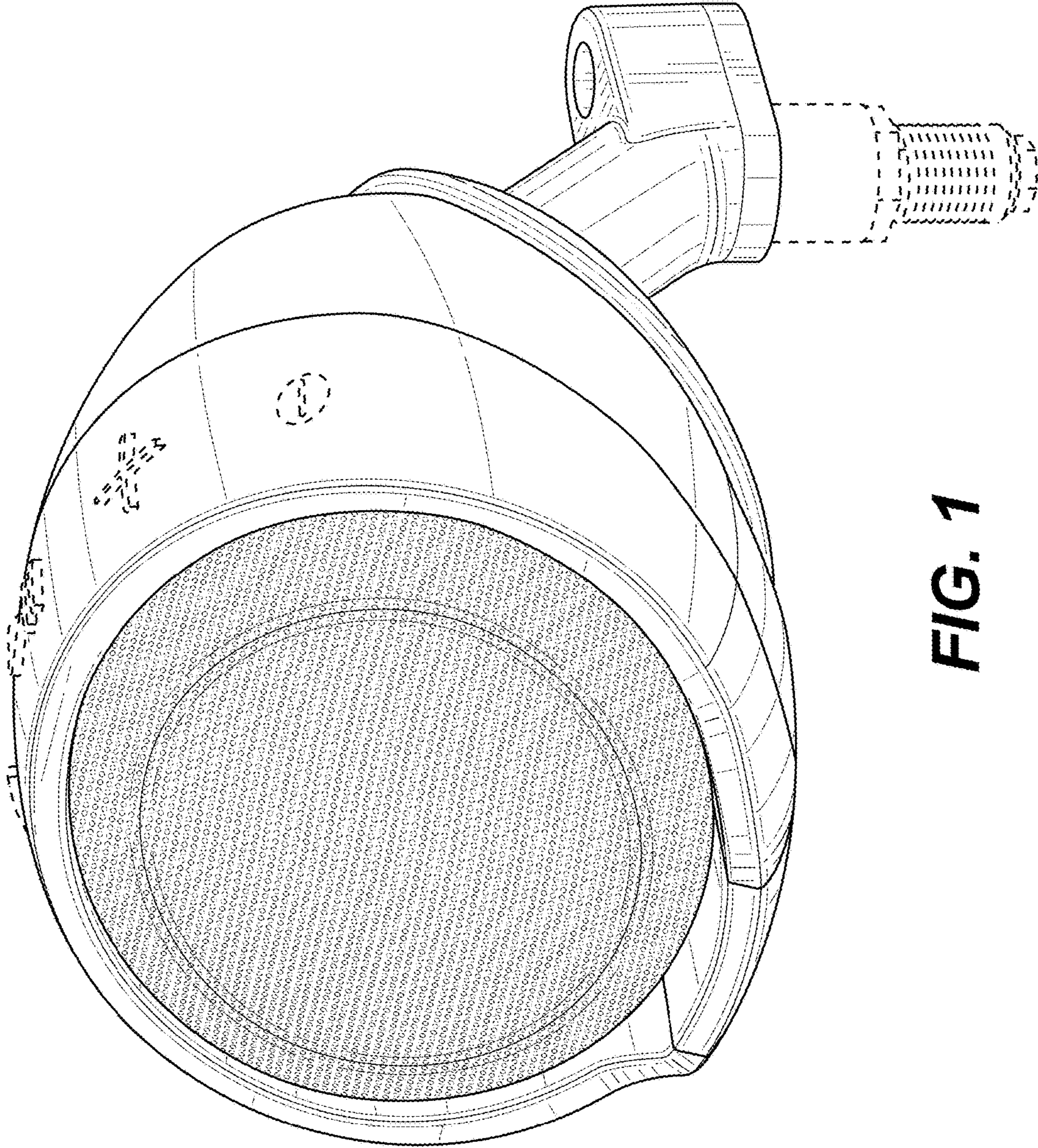
The ornamental design for a loudspeaker, as shown and described.

**DESCRIPTION**

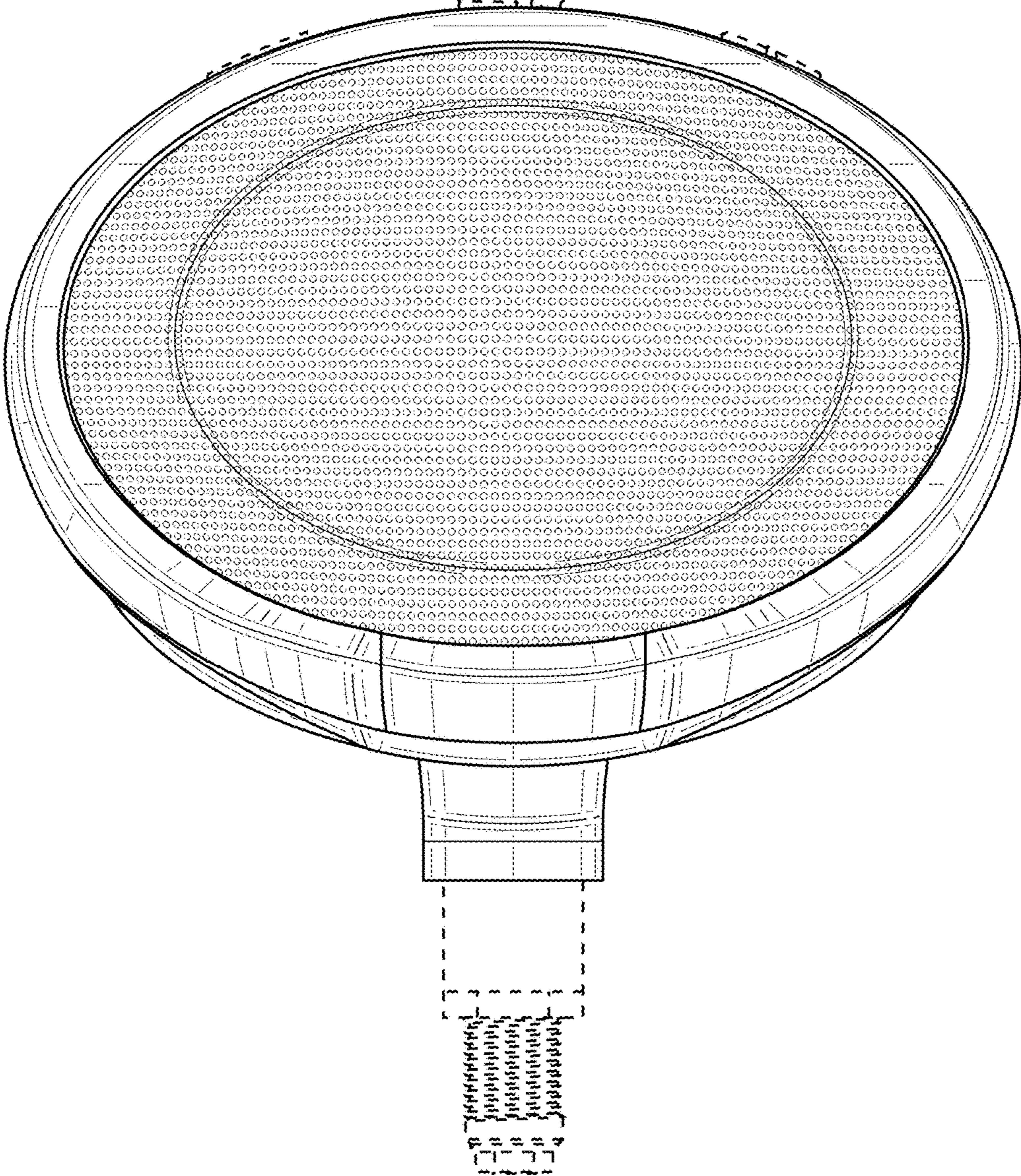
FIG. 1 is a perspective view of a loudspeaker showing our new design;  
FIG. 2 is a front elevational view of the loudspeaker of FIG. 1;  
FIG. 3 is a rear elevational view of the loudspeaker of FIG. 1;  
FIG. 4 is a side elevational view of the loudspeaker of FIG. 1;  
FIG. 5 is an opposite side elevational view of the loudspeaker of FIG. 1;  
FIG. 6 is a top plan view of the loudspeaker of FIG. 1; and, FIG. 7 is a bottom plan view of the loudspeaker of FIG. 1. The broken lines in the figures illustrate the portions of the design that form no part of the claimed design.

**1 Claim, 7 Drawing Sheets**

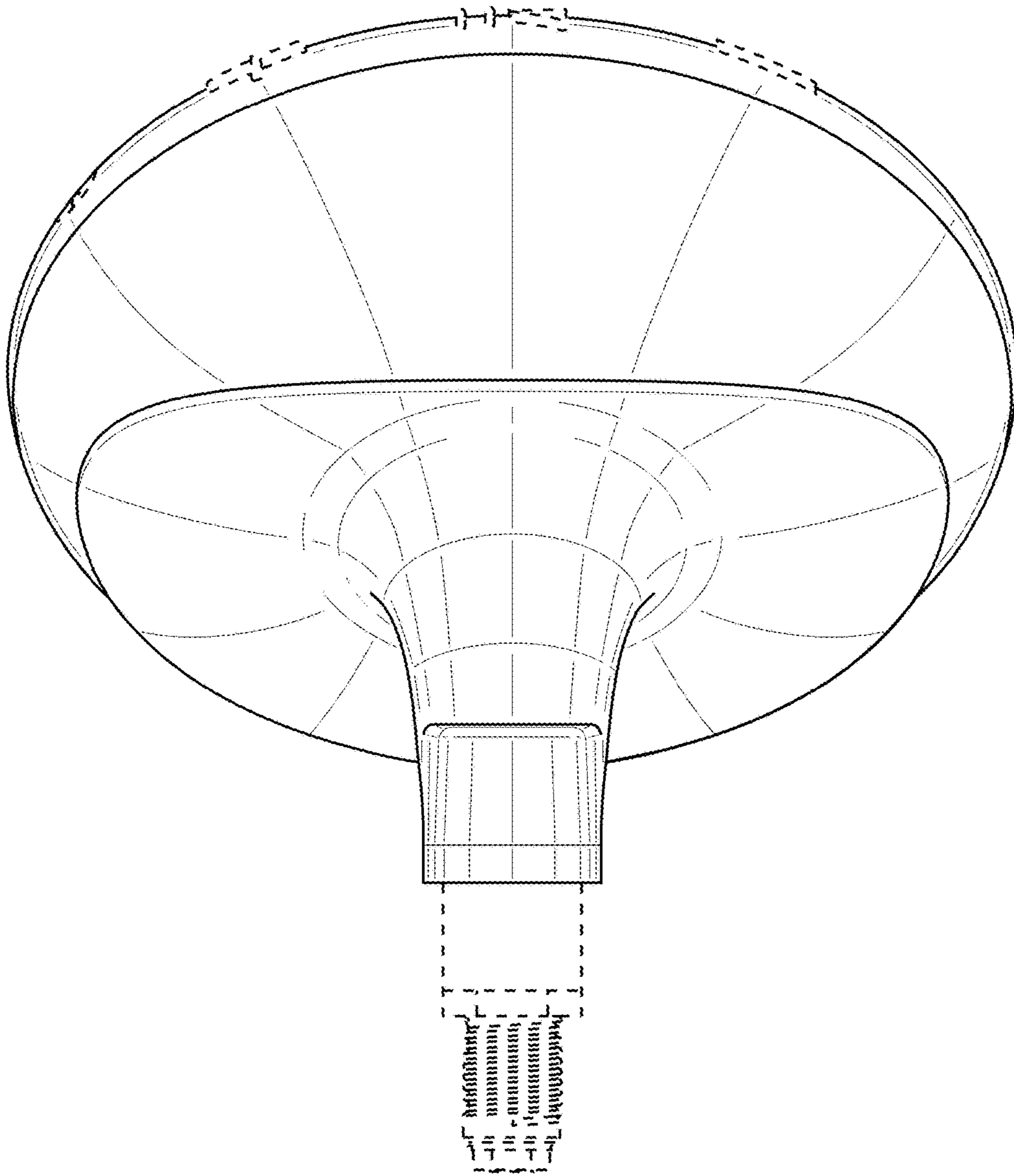




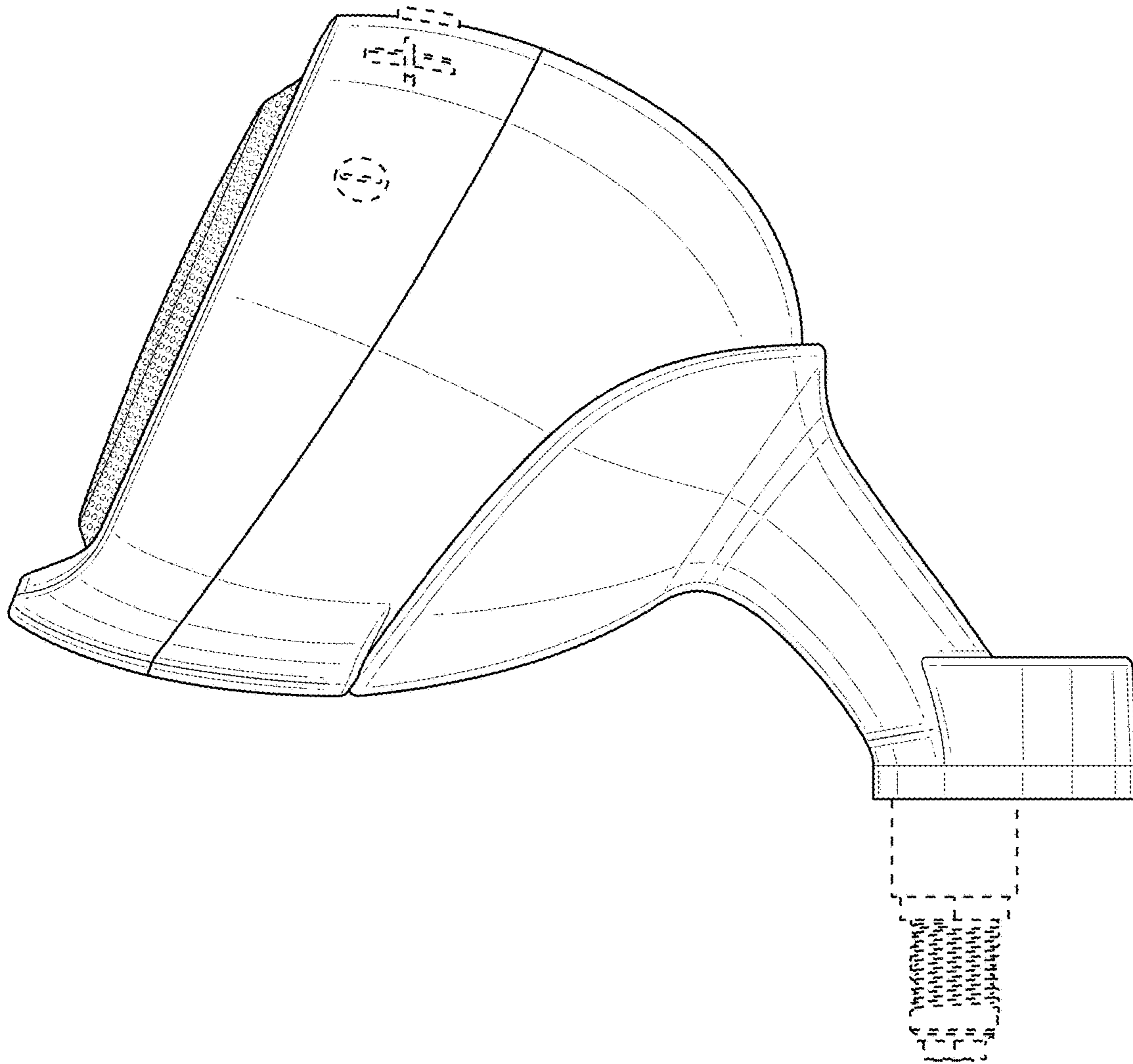
**FIG. 1**



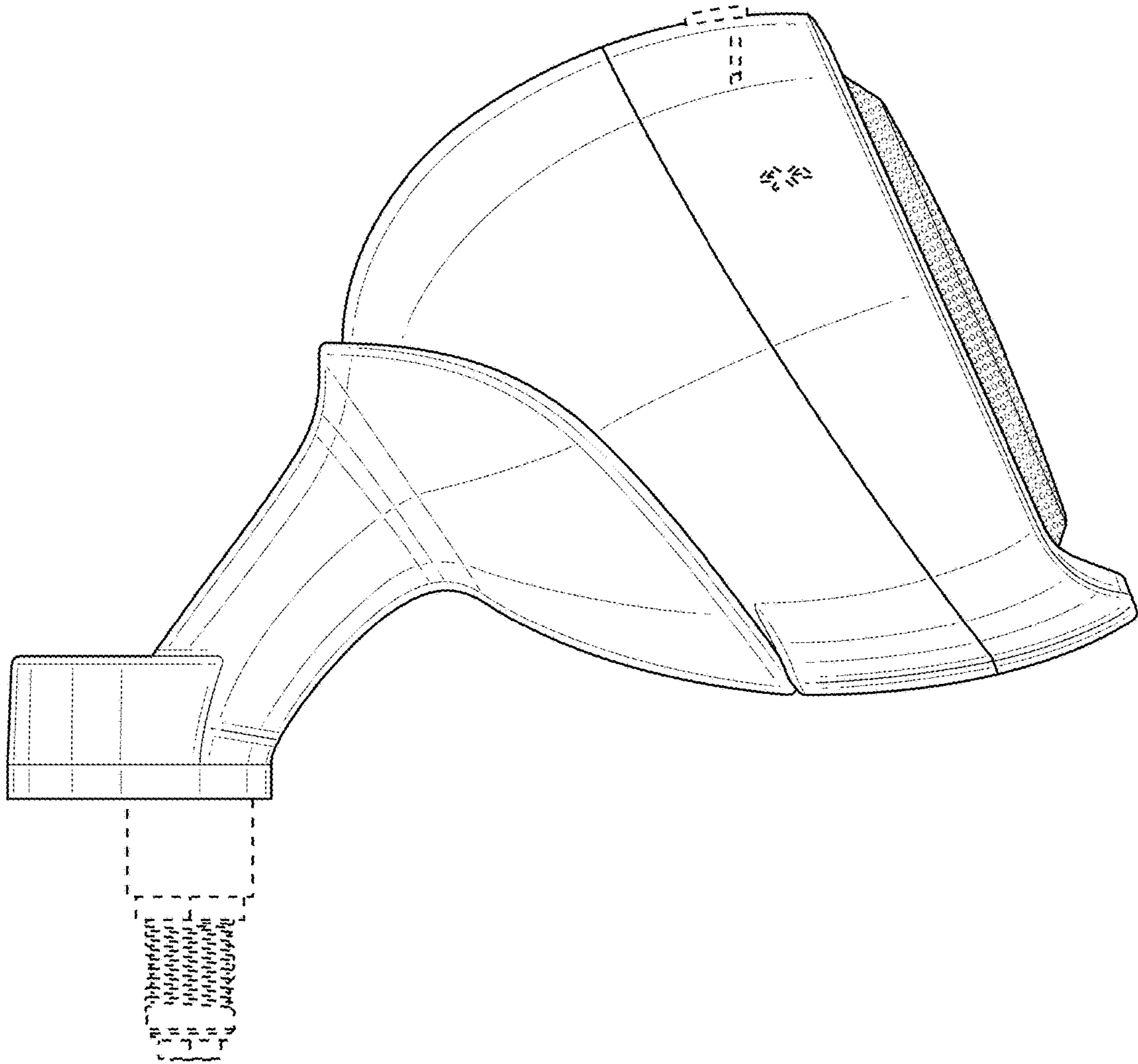
**FIG. 2**



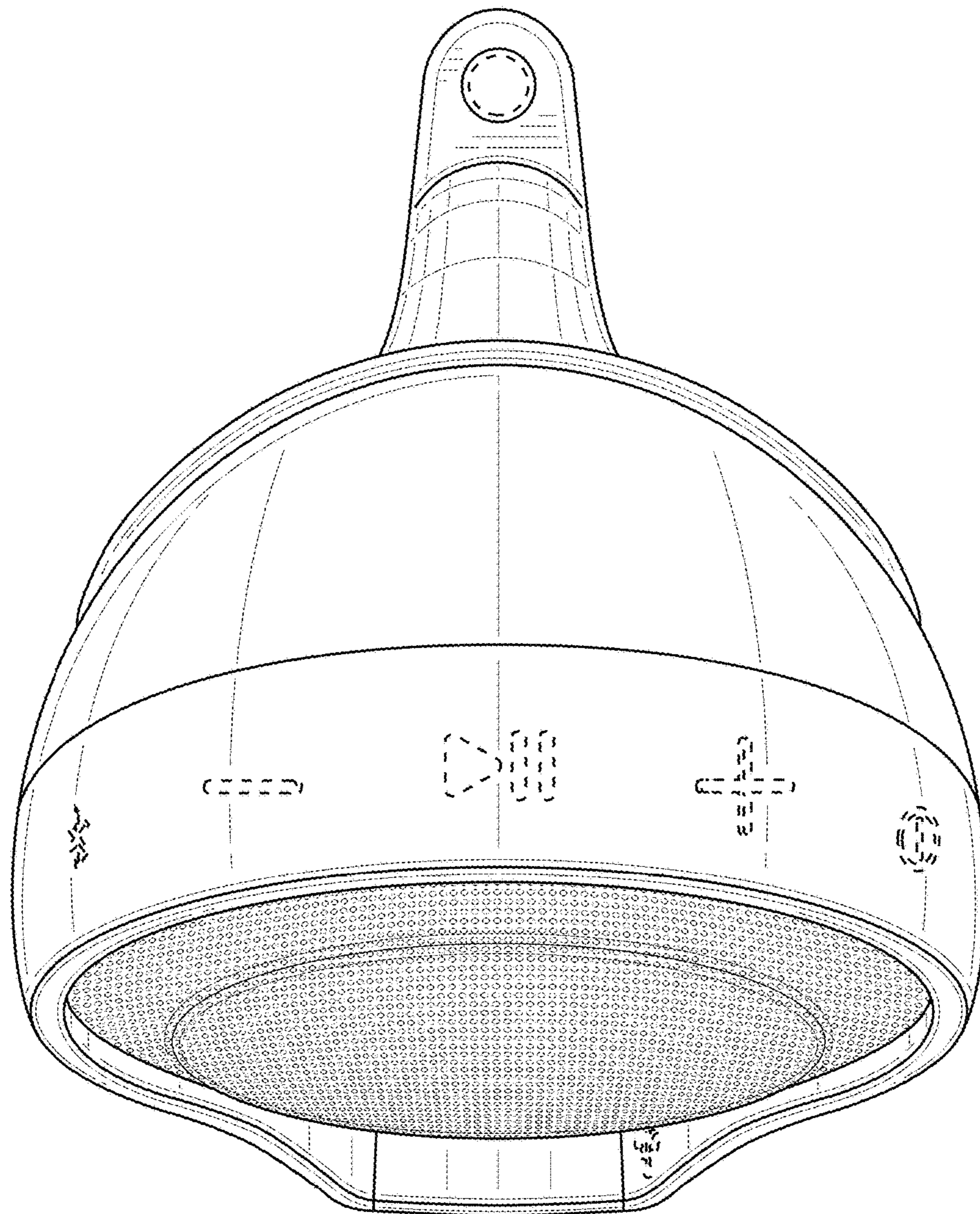
**FIG. 3**



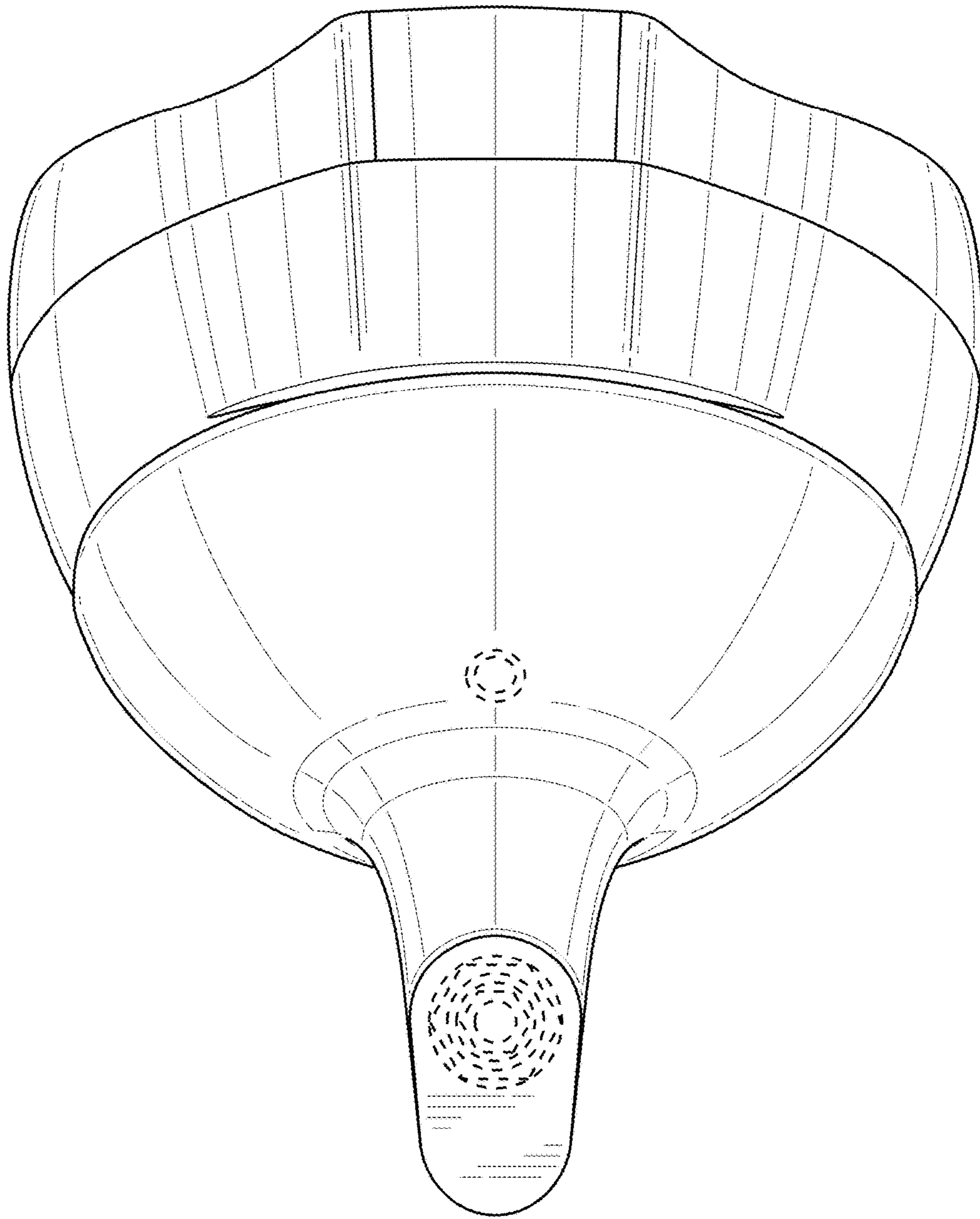
**FIG. 4**



**FIG. 5**



**FIG. 6**



**FIG. 7**