

US00D836593S

(12) **United States Design Patent** (10) **Patent No.:** **US D836,593 S**  
**Hu** (45) **Date of Patent:** **\*\* Dec. 25, 2018**

(54) **WIRELESS TRANSMITTER**

D808,920 S \* 1/2018 Yin ..... D14/155  
D812,033 S \* 3/2018 Yin ..... D14/155  
D820,803 S \* 6/2018 Hu ..... D14/155

(71) Applicant: **VTIN TECHNOLOGY CO., LIMITED**, Hong Kong (HK)

**FOREIGN PATENT DOCUMENTS**

(72) Inventor: **Zaihui Hu**, Shenzhen (CN)

EM 003518935-0001 12/2016

(73) Assignee: **VTIN TECHNOLOGY CO., LIMITED**, Hong Kong (HK)

\* cited by examiner

(\*\*) Term: **15 Years**

*Primary Examiner* — Austin Murphy

(21) Appl. No.: **29/663,764**

(74) *Attorney, Agent, or Firm* — JCIPRNET

(22) Filed: **Sep. 18, 2018**

(57) **CLAIM**

(51) **LOC (11) Cl.** ..... **14-03**

The ornamental design for a wireless transmitter, as shown and described.

(52) **U.S. Cl.**  
USPC ..... **D14/155**

(58) **Field of Classification Search**  
USPC ..... D14/167, 154, 168, 188, 496, 156, 160,  
D14/161, 162, 163, 164, 165, 158, 341,  
D14/346, 342, 345, 137, 155, 218, 225;  
D16/208; D26/38; 455/351, 350;  
D10/104.1, 106, 65  
CPC .... H04B 1/385; H04M 1/6091; H04M 1/6066  
See application file for complete search history.

**DESCRIPTION**

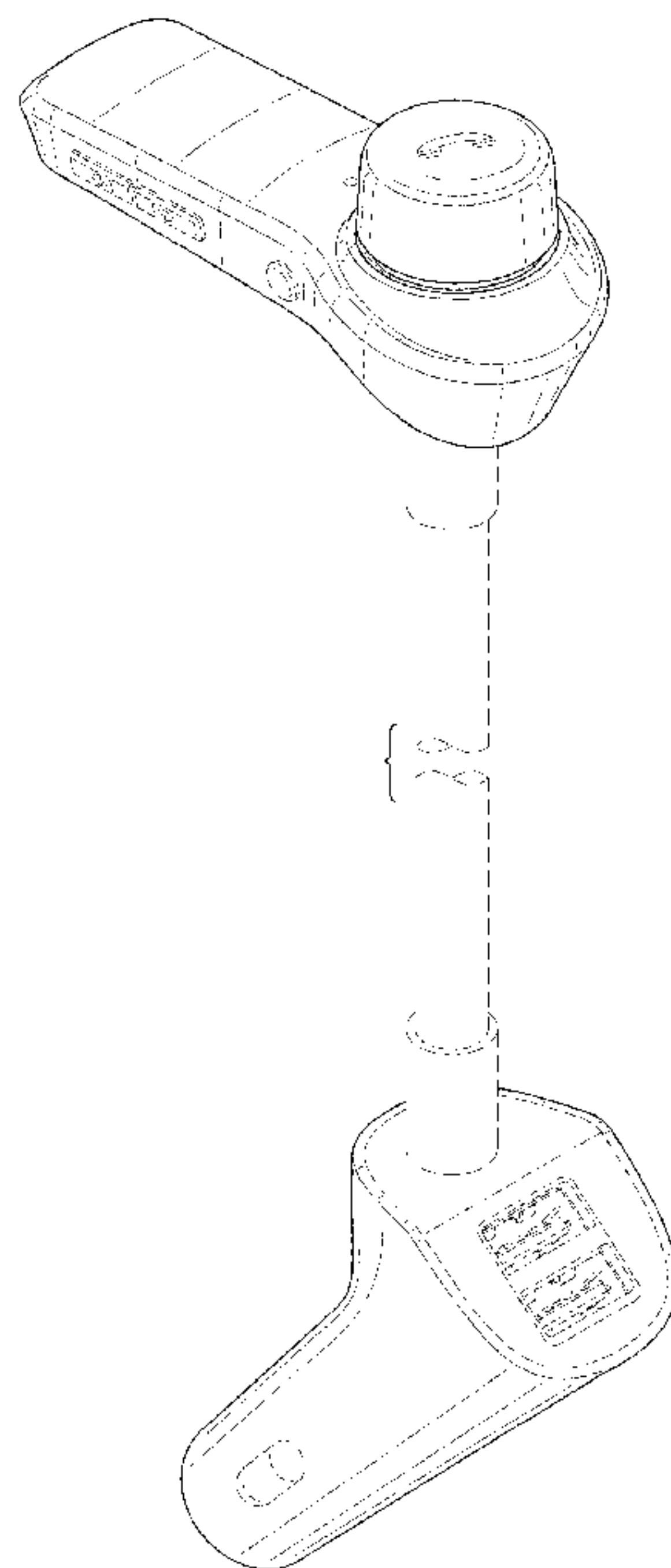
(56) **References Cited**

**U.S. PATENT DOCUMENTS**

D728,508 S \* 5/2015 Breines ..... D14/155  
D795,832 S \* 8/2017 Du ..... D14/155  
D796,470 S \* 9/2017 Du ..... D14/155  
D800,684 S \* 10/2017 Xiao ..... D14/155  
D800,685 S \* 10/2017 Xiao ..... D14/155  
D805,496 S \* 12/2017 Yin ..... D14/155  
D808,919 S \* 1/2018 Yin ..... D14/155

FIG. 1 is a perspective view of a wireless transmitter showing my new design;  
FIG. 2 is another perspective view thereof;  
FIG. 3 is a front view thereof;  
FIG. 4 is a rear view thereof;  
FIG. 5 is a left side view thereof;  
FIG. 6 is a right side view thereof;  
FIG. 7 is a top view thereof; and,  
FIG. 8 is a bottom view thereof.  
The broken lines shown unclaimed portions of the wireless transmitter and form no part of the claimed design. The portion that is broken and bracketed is intended to designate indeterminate length and forms no part of the claimed design.

**1 Claim, 6 Drawing Sheets**



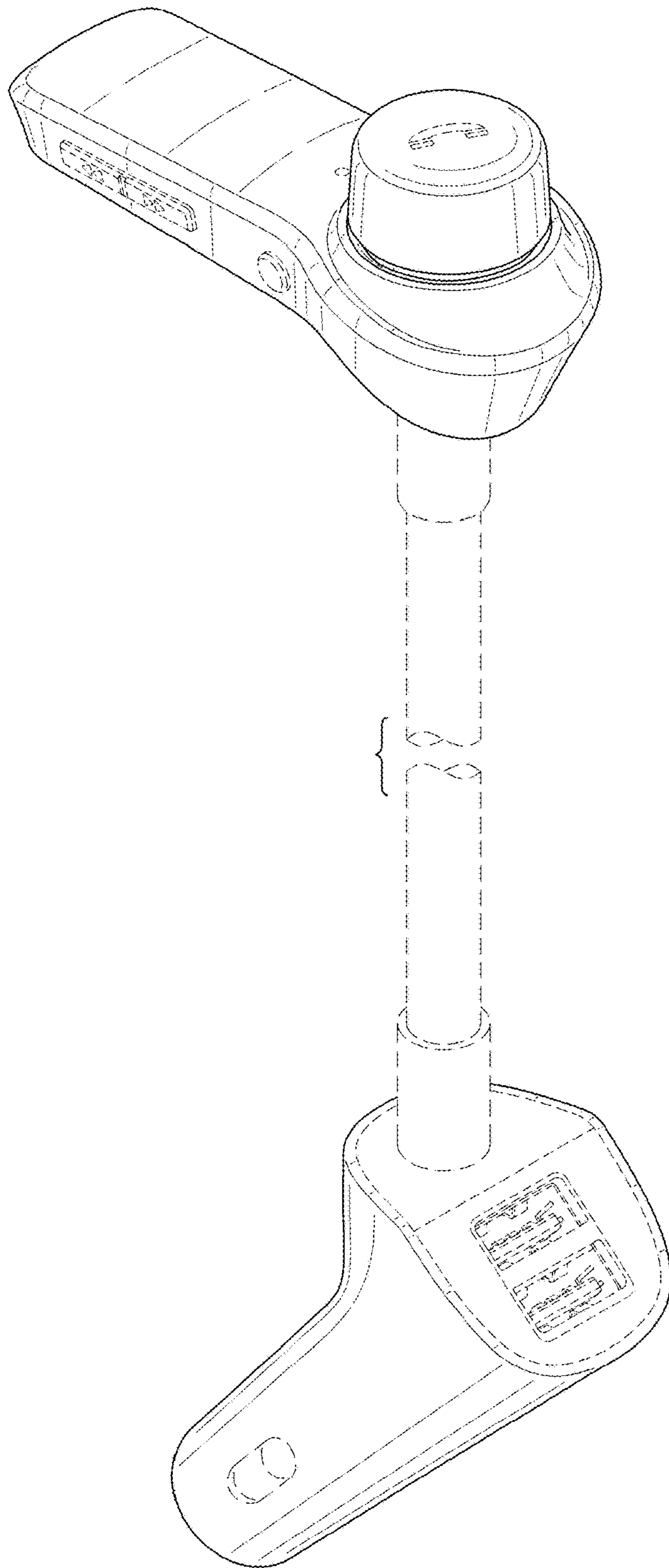


FIG. 1

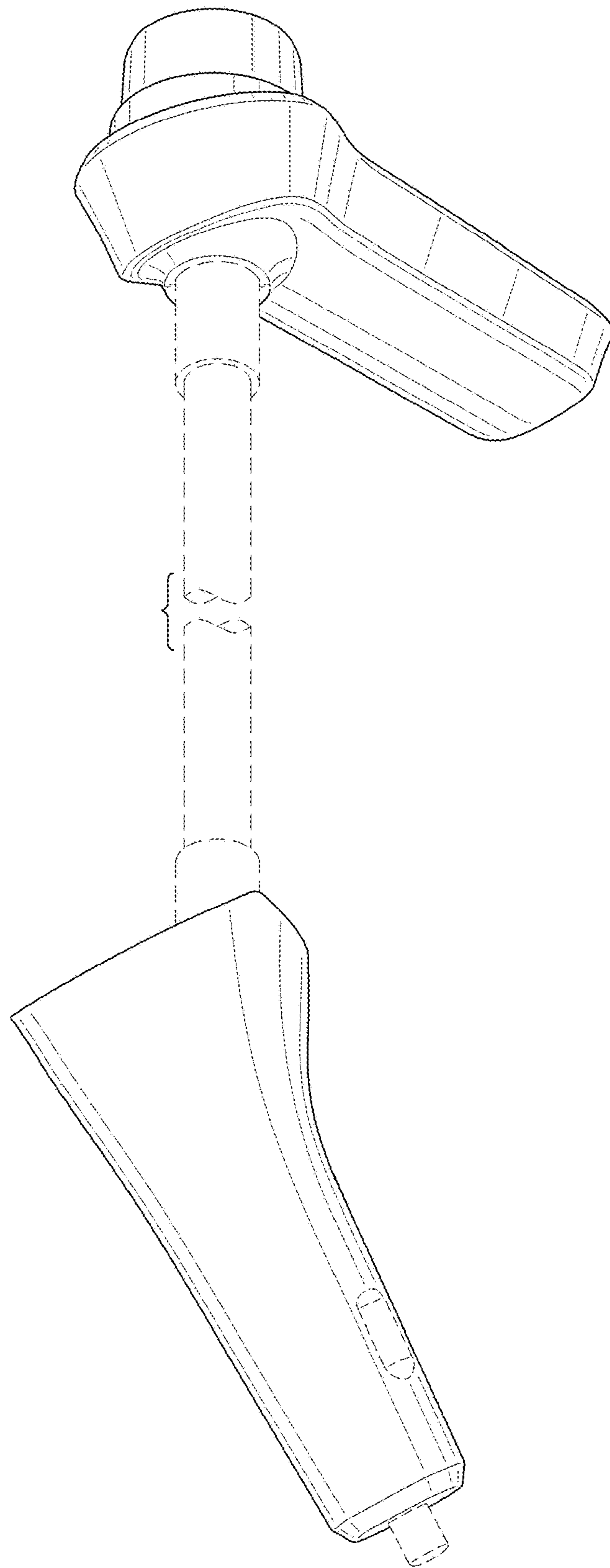


FIG. 2

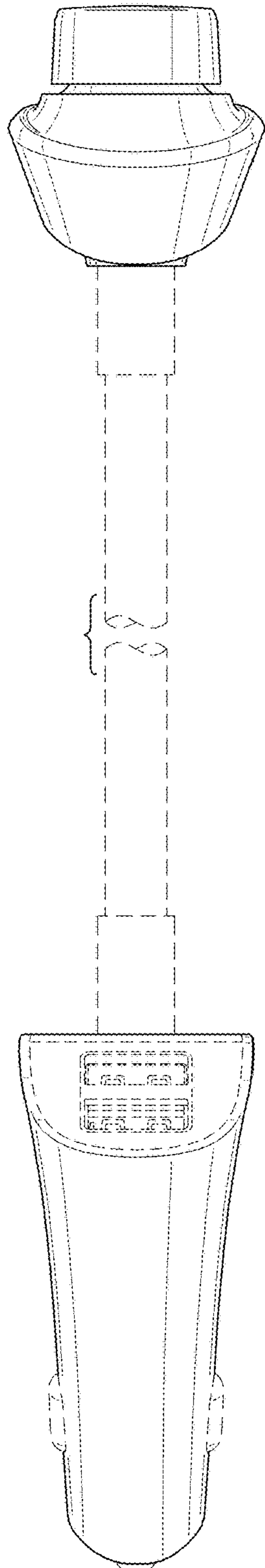


FIG. 3

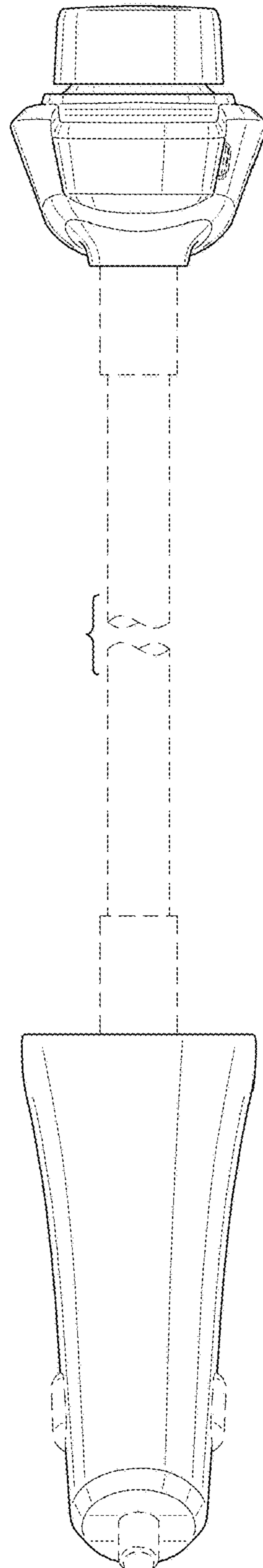


FIG. 4

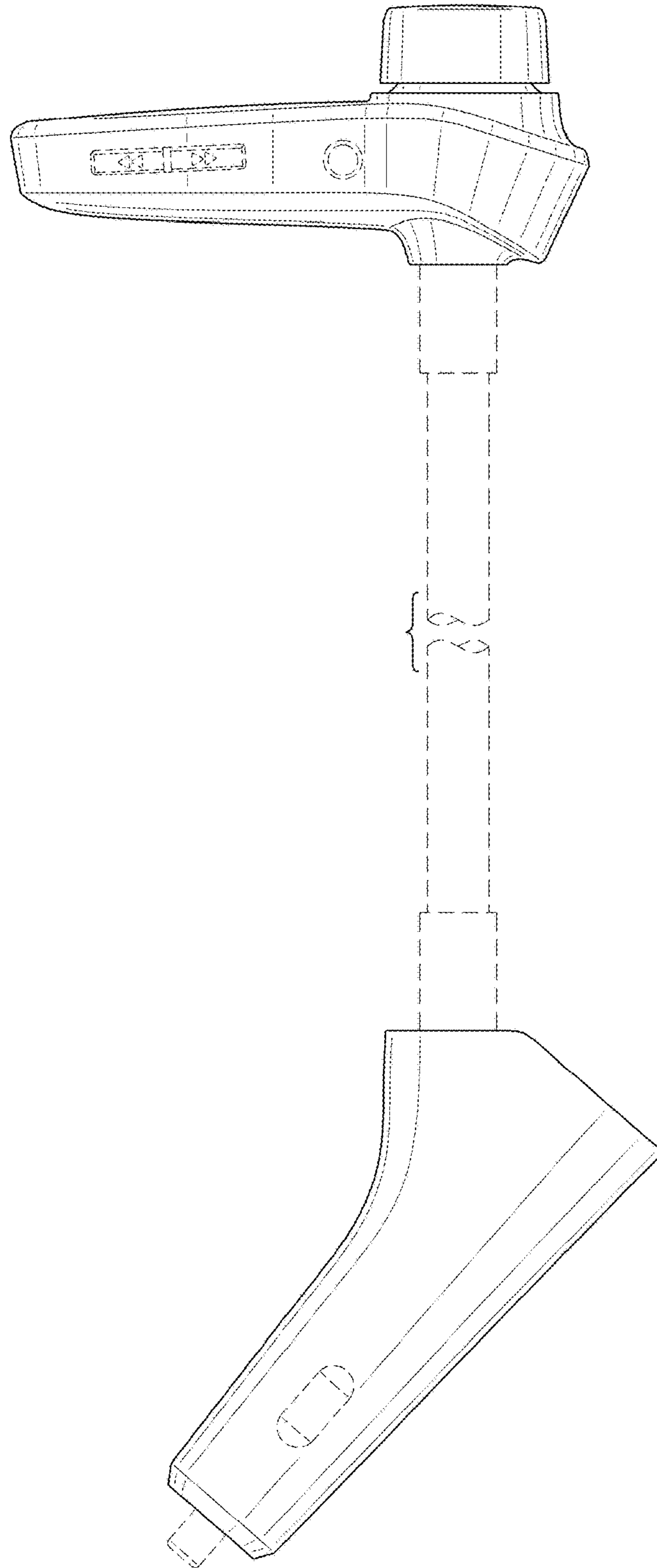


FIG. 5

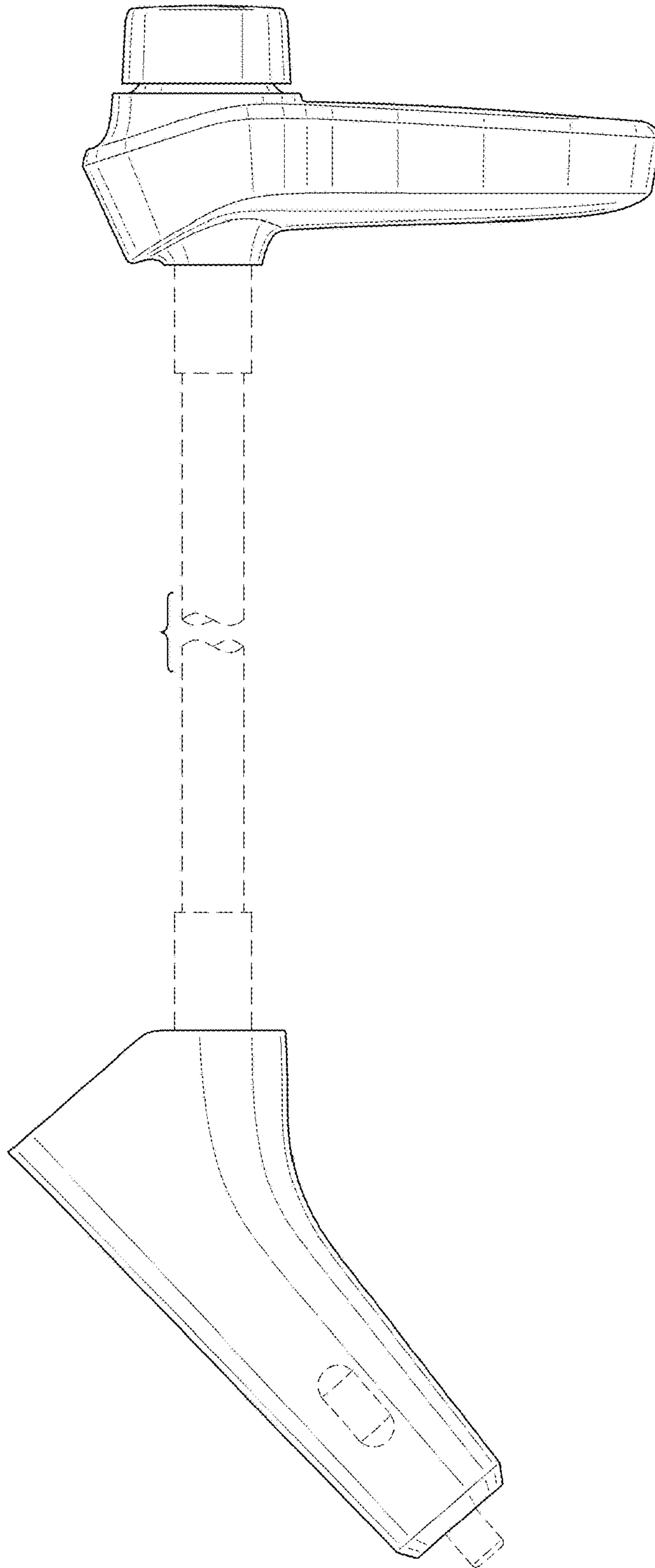


FIG. 6



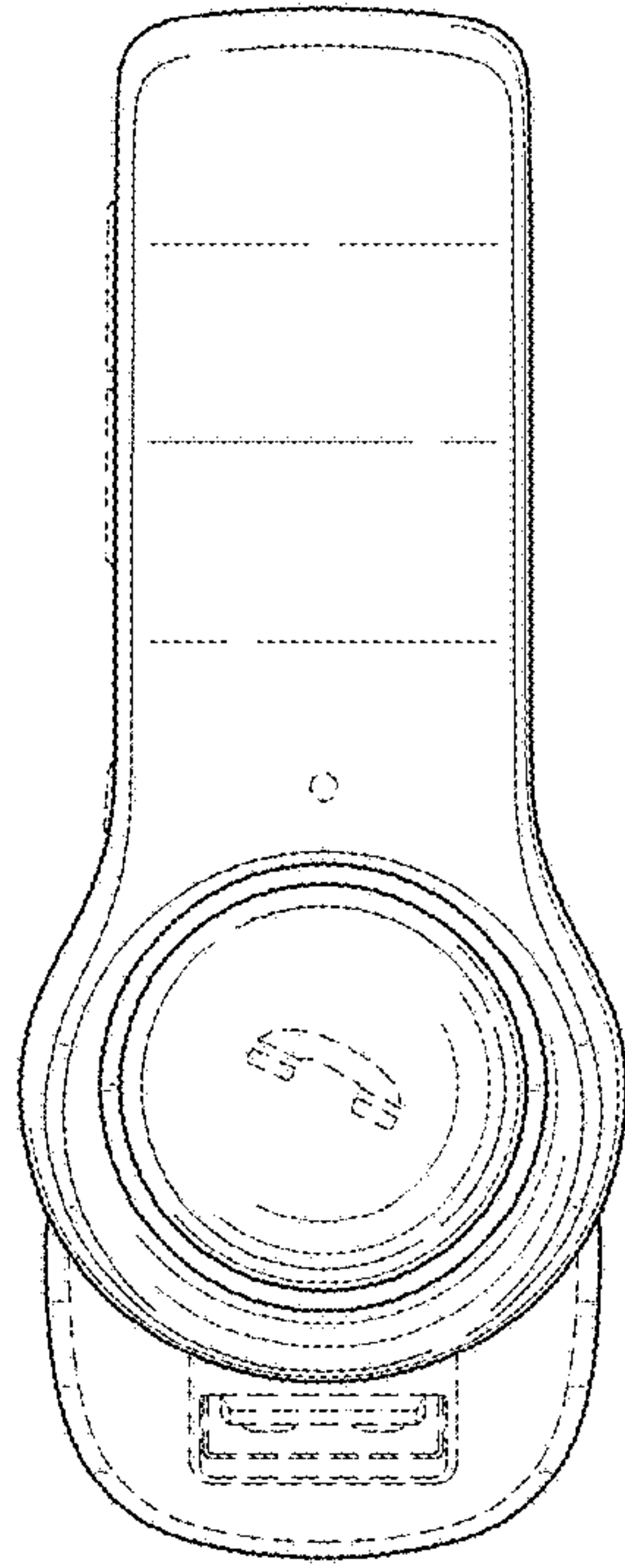


FIG. 7

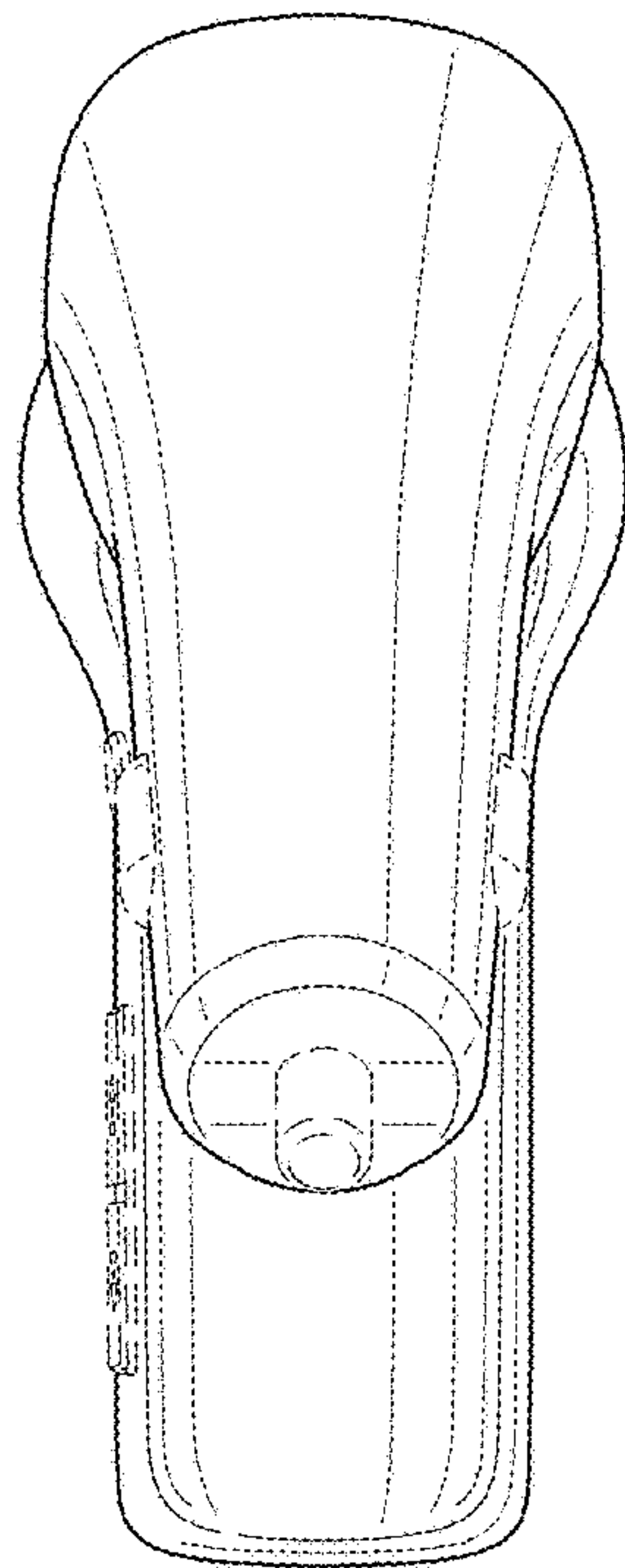


FIG. 8